



YC35SRPro

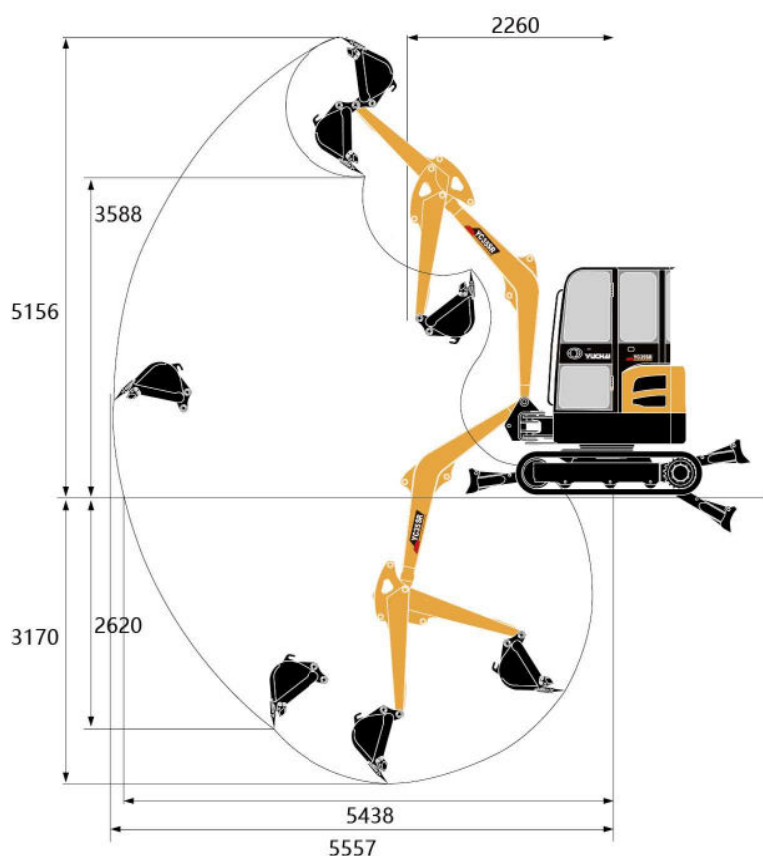
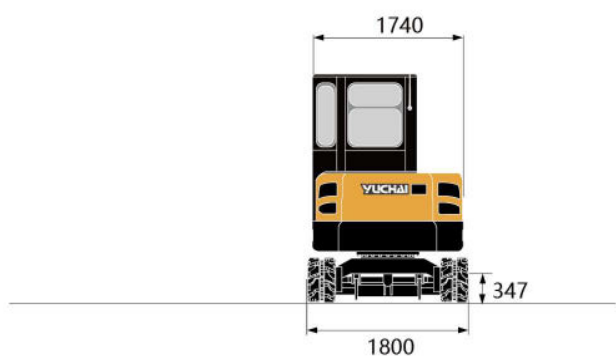
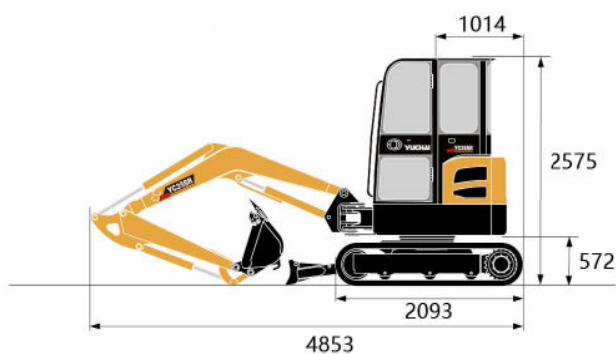
Machine weight: 3860 kg

Bucket capacity: 0.12 m³

Engine power: 18.2/2200 kW/rpm



- Optional Euro V/Tier4F engine (Yanmar engine)
- Superior working efficiency
- Lower fuel consumption
- Standard with Rubber Tracks



► Technical Specification

Basic parameter

Machine weight	3860 kg
Bucket capacity	0.12 m ³
Width of bucket	617 mm

Performance parameter

Engine model	Yanmar 3TNV88
Engine power	18.2/2200 kW/rpm
Max. Gradeability	35 °
Max. digging force of arm	25.8 kN
Max. digging force of bucket	32.7 kN
Traveling speed	3.1/4.8 km/h
Max. hauling force	29 kN
Slewing speed of platform	11-13 rpm

Operating parameter

Max. digging height	5156 mm
Max. digging depth	3170 mm
Max. digging radius	5557 mm
Max. digging radius on ground level	5438 mm
Max. dumping height	3588 mm
Min. slewing radius	2260 mm
Max. vertical digging depth	2620 mm

Transportation dimension

Overall length	4853 mm
Overall width	1800 mm
Overall height	2575 mm

Other Parameter

Width of undercarriage	1800 mm
Length of track	2093 mm
Width of track	300 mm
Height between undercarriage and ground	347 mm
Height between platform and ground	572 mm
Platform tail turning radius	1014 mm
Track gauge	1500 mm
Fuel tank capacity	52 L
Hydraulic oil tank capacity	40 L

Guangxi Yuchai Heavy Industry Co.,Ltd.
 Address:No.168 Tianqiao Road, Yulin, Guangxi, China
 Tel: +86-775-3223503
 Fax:+86-775-3223503
 Email: dig@yuchai.cn, ychi-export@yuchai.cn
 Website:www.yuchaihi.com
 Alibaba Website: <https://yuchaihi.en.alibaba.com>

Specifications are subject to change without prior notice