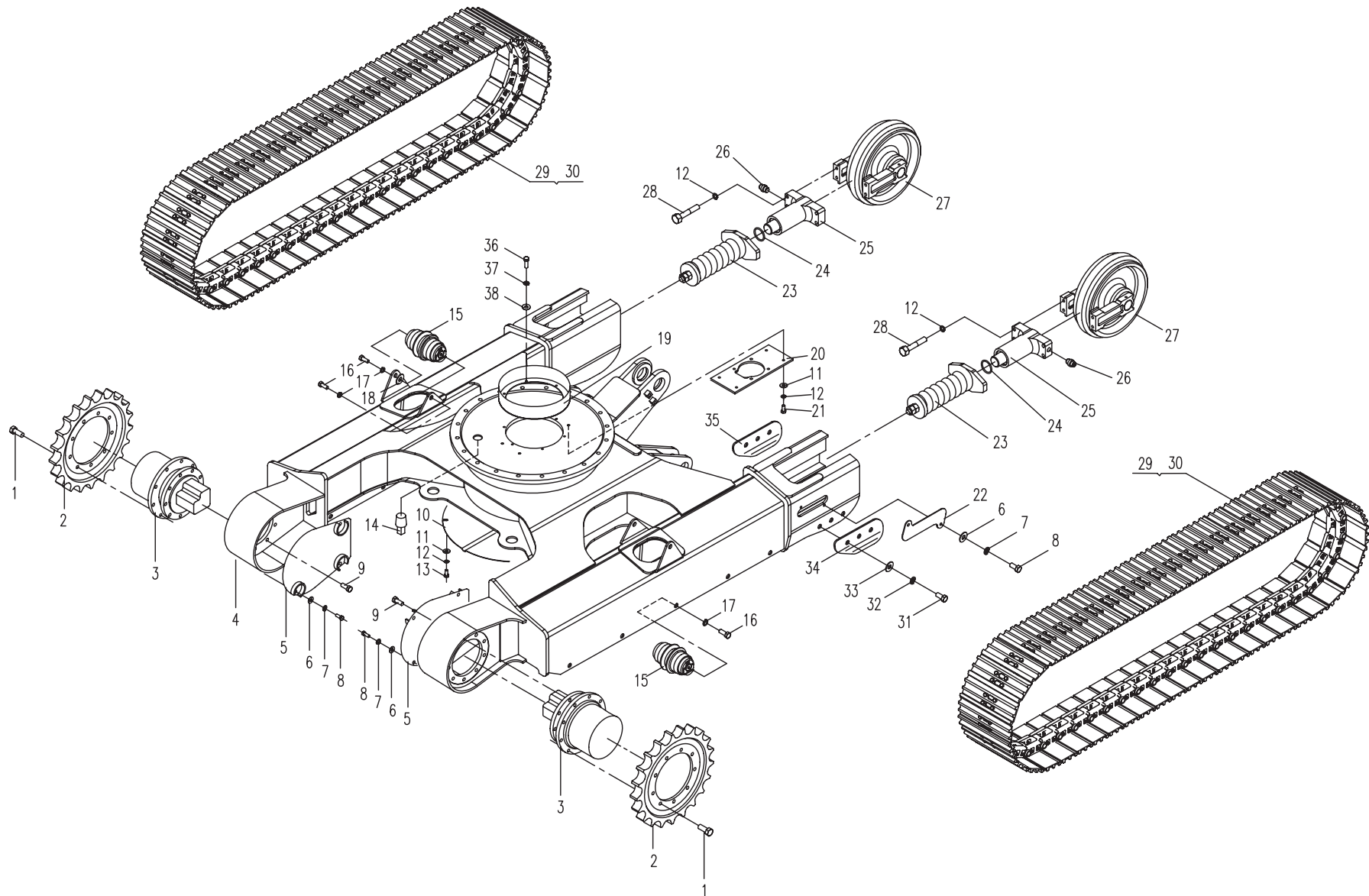


01.1.1 底盘总成 (适用850H01,850H02,850H03机型) CHASSIS ASSEMBLY (APPLY TO 850H01,850H02,850H03 TYPE)

序号 No.	数量 Quantity	代号 Code	名称 Description		备注 Remark
1	24	M14X35 GB/T5783	六角头螺栓	Bolt	12.9-达克罗
2	2	850-0100001	驱动轮	Driving wheel	
3	2	850-7502000	行走马达总成	Traveling motor	
4	1	850-0101000D	车架总成	Chassis assembly	
5	2	850-0106000	马达盖板	Motor shield	
6	12	10 GB/T97.1	垫圈	Washer	达克罗
7	12	10 GB/T93	弹簧垫圈	Spring washer	达克罗
8	12	M10X20 GB/T5783	六角头螺栓	Bolt	8.8-达克罗
9	24	M14X40 GB/T5783	六角头螺栓	Bolt	12.9-达克罗
10	1	850-0107000	封底板	Cover plate	
11	8	12 GB/T97.1	垫圈	Washer	
12	12	12 GB/T93	弹簧垫圈	Spring washer	
13	8	M12X30 GB/T5783	六角头螺栓	Bolt	8.8-Zn. D
14	1	820-0100002	螺塞	Screw plug	
15	12	850-0104000	支重轮总成	Idler assembly	
16	24	M18X55 GB/T5783	六角头螺栓	Bolt	10.9-达克罗
17	24	18 GB/T93	弹簧垫圈	Spring washer	达克罗
18	2~3	850-0100004	调整垫片	Washer	
19	1	850-0105000	挡油圈组件	Metal ring	
20	1	850-0100007	托板	Splint	
21	4	M12 30 GB/T5783	六角头螺栓	Bolt	
22	2	850-0100006	侧盖板	Cover plate	
23	2	850-0102200	张紧弹簧总成	Tension spring assembly	
24	2	850-0102230	密封组件	Sealed ring assembly	
25	2	850-0102300	张紧缸筒总成	Tension cylinder assembly	
26	2	850-0102400	单向阀总成	Check valve assembly	
27	2	850-0102100	导向轮总成	Track idler assembly	
28	4	M12X65 GB/T5783	六角头螺栓	Bolt	10.9-达克罗

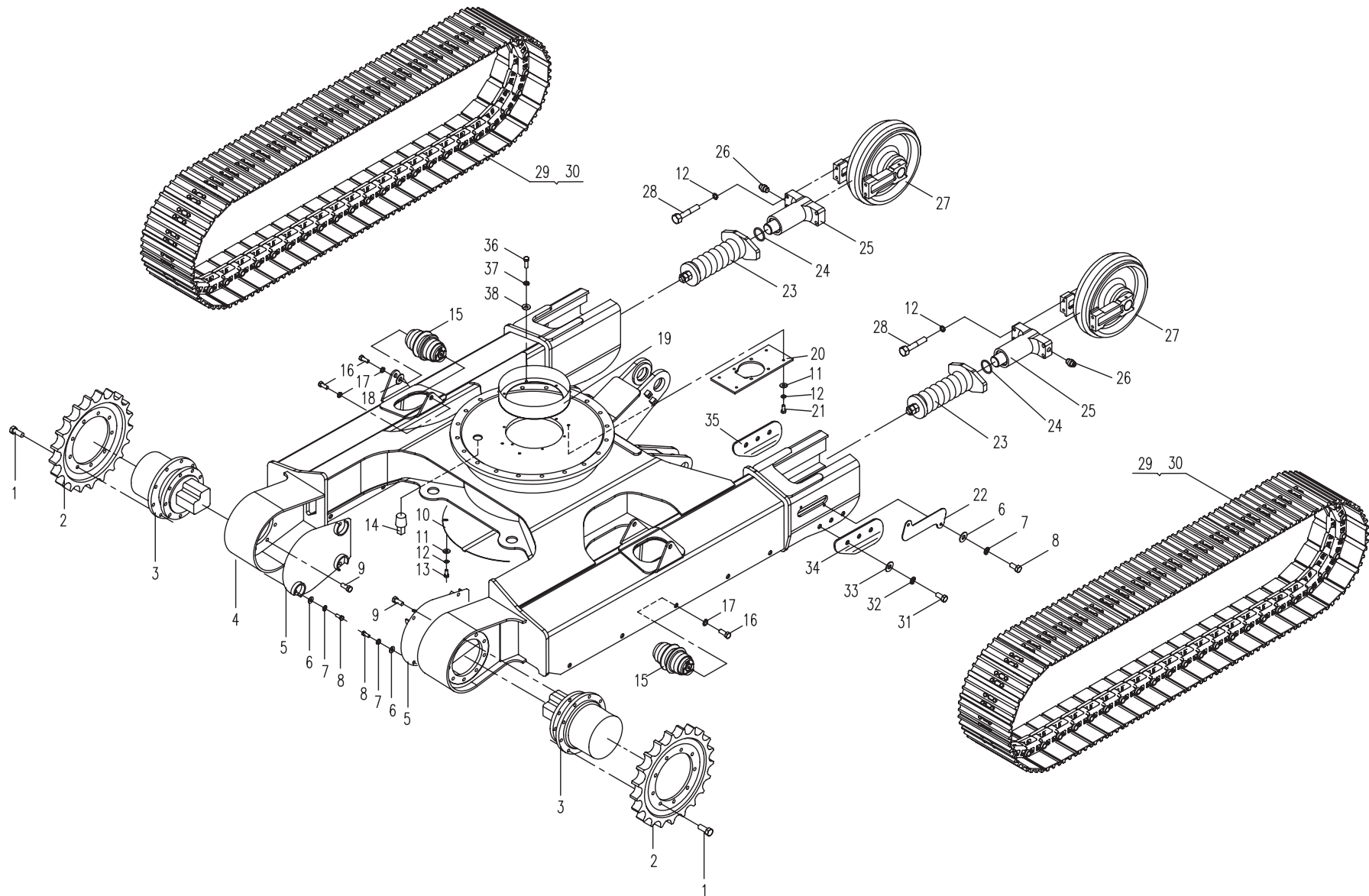
01.1.1 底盘总成 (适用850H01,850H02,850H03机型) CHASSIS ASSEMBLY (APPLY TO 850H01,850H02,850H03 TYPE)



01.1.1 底盘总成 (适用850H01,850H02,850H03机型) CHASSIS ASSEMBLY (APPLY TO 850H01,850H02,850H03 TYPE)

序号 No.	数量 Quantity	代号 Code	名称 Description		备注 Remark
29	2	850-2001000	钢履带	Steel crawler	标配, 400 135 39(宽度 节距 节数)
	2	850-2002000	钢履带	Steel crawler	选装, 550 135 39(宽度 节距 节数)
	2	850-2101000	橡胶履带	Rubber crawler	选装,400 73 74(宽度 节距 节数)
30	78	850-2000010	橡胶块	Rubber board	与钢履带配套用
31	12	M14X40 GB/T5783	六角头螺栓	Bolt	8.8-达克罗
32	12	14 GB/T93	弹簧垫圈	Spring washer	达克罗
33	12	14 GB/T97.1	垫圈	Washer	达克罗
34	2	850-0100009	右防脱板	Right fence plate	与钢履带配套用
35	2	850-0100008	左防脱板	Left fence plate	与钢履带配套用
36	6	M10X20 GB/T5783	六角头螺栓	Bolt	8.8-Zn.D
37	6	10 GB/T93	弹簧垫圈	Spring washer	Zn.D
38	6	10 GB/T97.1	垫圈	Washer	Zn.D

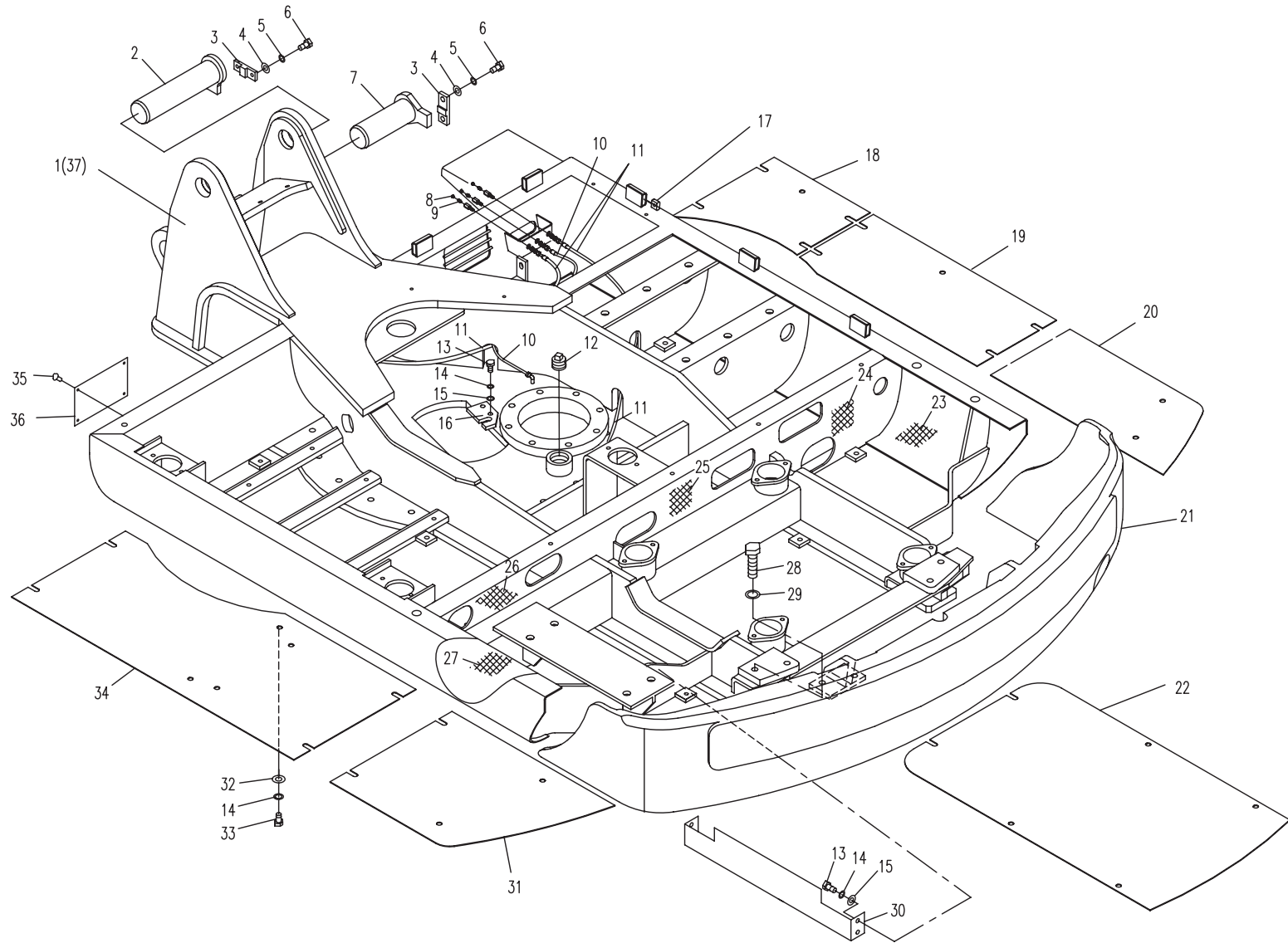
01.1.1 底盘总成 (适用850H01,850H02,850H03机型) CHASSIS ASSEMBLY (APPLY TO 850H01,850H02,850H03 TYPE)



02.1.1 回转平台(适用850H01机型) SLEWING PLATFORM(APPLY TO 850H01 TYPE)

序号 No.	数量 Quantity	代号 Code	名称 Description		备注 Remark
1	1	850H-0201000	平台	Platform	
2	1	850-0205000	动臂销轴	Shafl pin	
3	2	850-0200013	止板	Locking board	
4	4	12 GB/T97.1	平垫圈	Washer	达克罗
5	4	12 GB/T93	弹簧垫圈	Spring Washer	达克罗
6	4	M12×30 GB/T5783	六角头螺栓	Bolt	8.8-达克罗
7	1	850-0202000	动臂缸销轴	Shaft pin	
8	3	801-0400001	油杯盖	Grease cup cap	
9	3	M10×1 JB/T7940.1	直通式压注油杯	Grease cup	Zn. D
10	1	820-0207000	滚道注油管 II	Injection pipe II	
11	2	820-0206000	滚道注油管 I	Injection pipe I	
12	1	820-0200013	螺塞	Screw plug	
13	6	M10×25 GB/T5783	六角头螺栓	Bolt	8.8-Zn. D
14	34	10 GB/T93	弹簧垫圈	Spring Washer	Zn. D
15	6	10 GB/T97.1	平垫圈	Washer	Zn. D
16	1	850-0200002	止板	Locking board	
17	5	853D-0200012	螺母块	Screw block	
18	1	853D-0200002	右前封底板	Right-ahead cover board	
19	1	853D-0200003	右中封底板	Right-Middle cover board	
20	1	850-0200003	右后封底板	Right-hind cover board	
21	1	850H-0200002	平衡重	Counter weight	
22	1	850-0200005	中封底板	Middle cover board	
23	1	850-0200015	平台右侧吸音绵	Sponge of platform starboard	
24	1	850-0200014	横梁右侧吸音绵	Sponge of crossbeam starboard	
25	1	850-0200016	横梁中间吸音绵	Sponge of crossbeam midst	
26	1	850-0200018	横梁左侧吸音绵	Sponge of crossbeam nearside	
27	1	850-0200017	平台左侧吸音绵	Sponge of platform nearside	
28	4	M16×80 GB/T5783	六角头螺栓	Bolt	10.9-达克罗

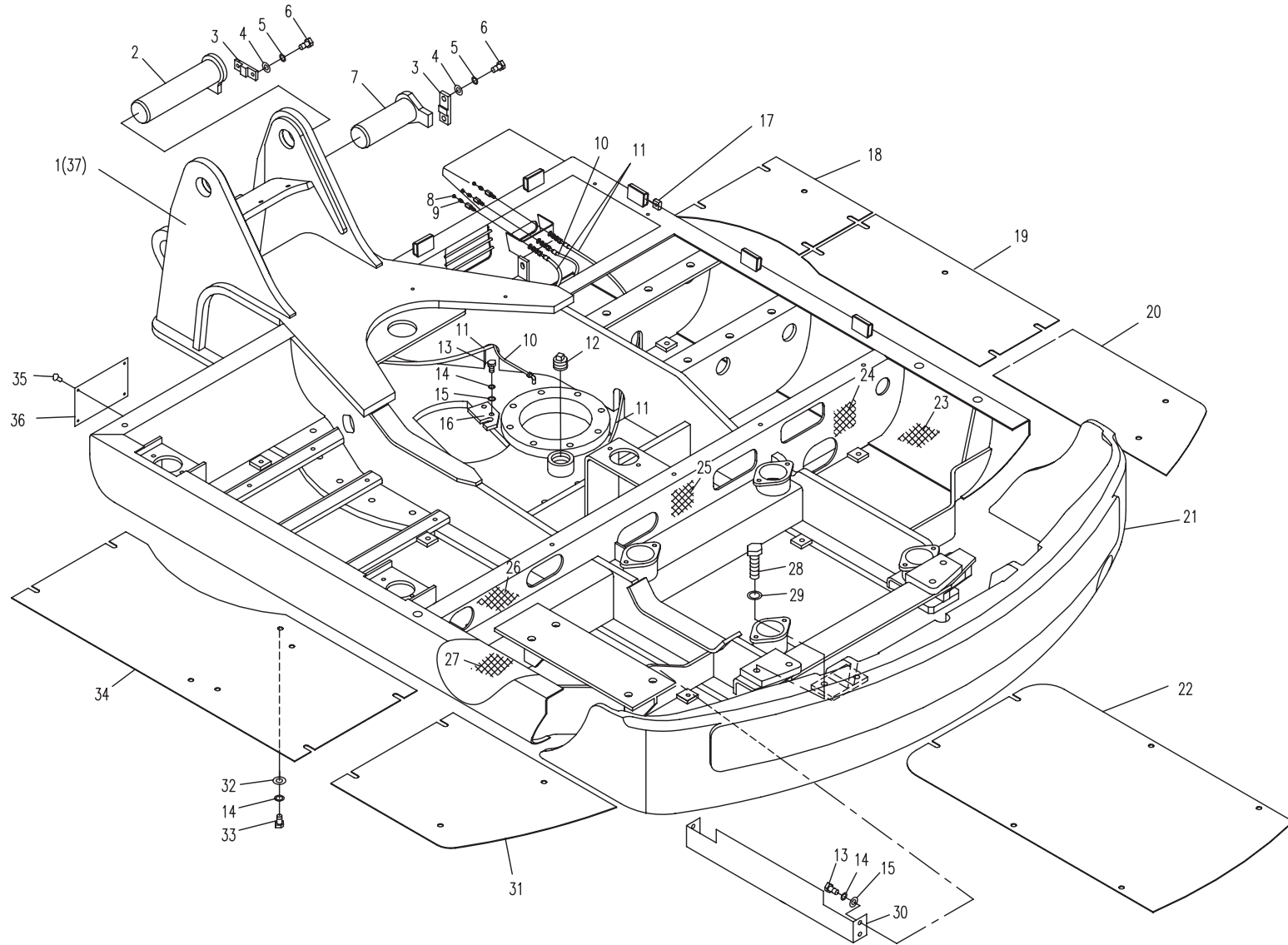
02.1.1 回转平台(适用850H01机型) SLEWING PLATFORM(APPLY TO 850H01 TYPE)



02.1.1 回转平台(适用850H01机型) SLEWING PLATFORM(APPLY TO 850H01 TYPE)

序号 No.	数量 Quantity	代号 Code	名称 Description		备注 Remark
29	4	850-0200019	厚垫圈	Washer	Zn. D
30	1	850-0200006	隔热板	Heat insulation board	
31	1	850-0200007	左后封底板	Left-hind cover board	
32	28	10 GB/T96.1	大垫圈	Washer	Zn. D
33	32	M10×20 GB/T5783	六角头螺栓	Bolt	8.8-Zn. D
34	1	850-0200008	左前封底板	Left-ahead cover board	
35	4	4×12 GB/T12618	开口型扁圆头抽芯铆钉	Rivet	Zn. D
36	1	T0802-01001	标牌(中文)	Scutcheon(Chinese)	

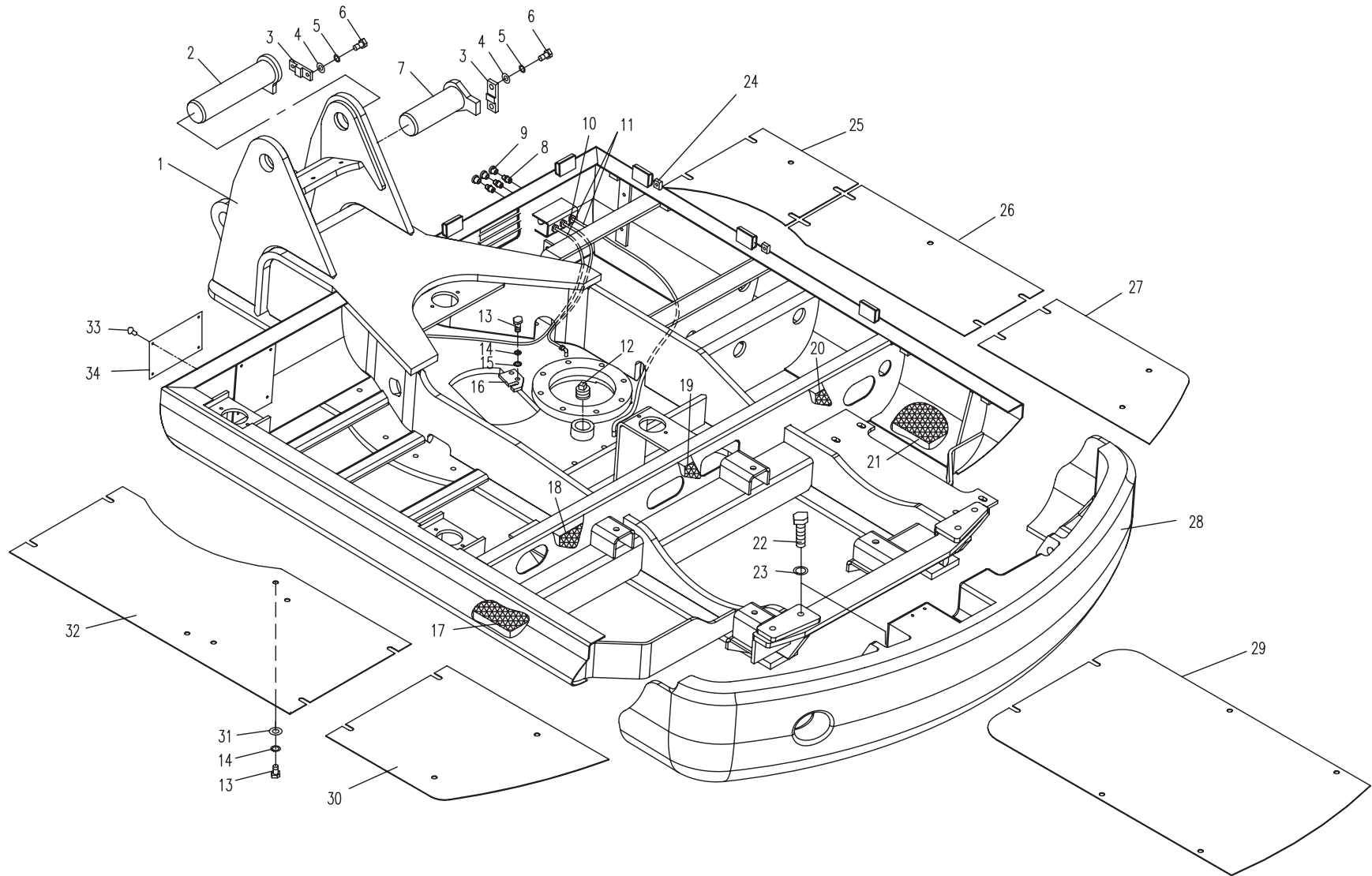
02.1.1 回转平台(适用850H01机型) SLEWING PLATFORM(APPLY TO 850H01 TYPE)



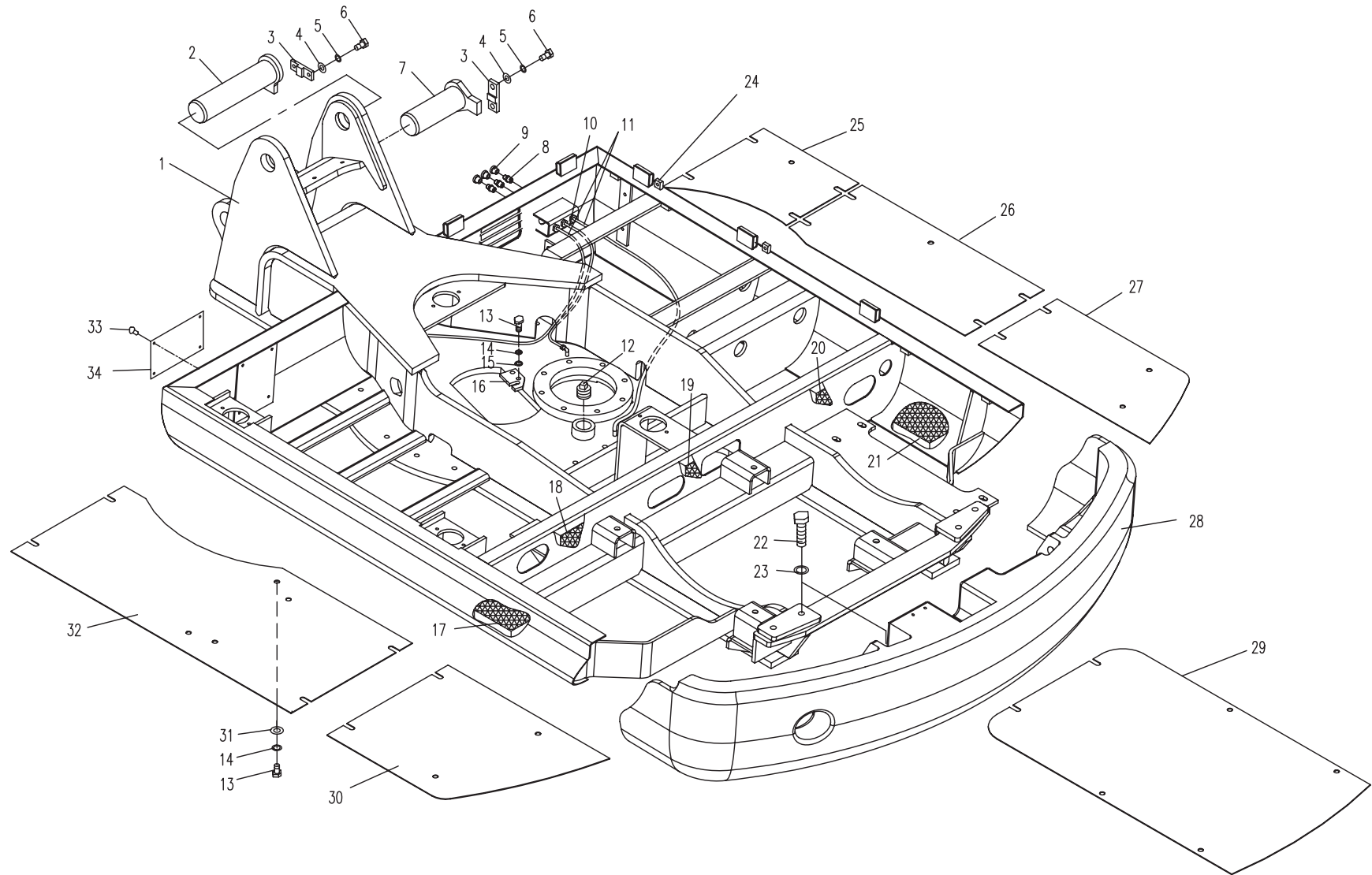
02.1.2 回转平台(适用850H02机型) SLEWING PLATFORM(APPLY TO 850H02 TYPE)

序号 No.	数量 Quantity	代号 Code	名称 Description		备注 Remark
1	1	850H-0204000	平台	Platform	
2	1	850-0205000	动臂销轴	Shaft pin	
3	2	850-0200013	止板	Locking plate	
4	4	12 GB/T97.1	平垫圈	Washer	达克罗
5	4	12 GB/T93	弹簧垫圈	Spring washer	达克罗
6	4	M12×30 GB/T5783	六角头螺栓	Bolt	8.8-达克罗
7	1	850-0202000	动臂缸销轴	Shaft pin	
8	3	M10×1 JB/T7940.1	直通式压注油杯	Grease cup	
9	3	801-0400001	油杯盖	Grease cup cap	
10	1	820-0207000	滚道注油管 II	Injection pipe II	
11	2	820-0206000	滚道注油管 I	Injection pipe I	
12	1	820-0200013	螺塞	Screw plug	
13	2	M10×25 GB/T5783	六角头螺栓	Bolt	
14	30	10 GB/T93	弹簧垫圈	Spring washer	
15	2	10 GB/T97.1	平垫圈	Washer	
16	1	850-0200002	止板	Locking plate	
17	1	850-0200017	平台左侧吸音绵	Sponge of platform nearside	
18	1	853D-0200007	横梁左侧吸音绵	Sponge of crossbeam nearside	
19	1	853D-0200005	横梁中间吸音绵	Sponge of crossbeam midst	
20	1	853D-0200006	横梁右侧吸音绵	Sponge of crossbeam starplate	
21	1	850-0200015	平台右侧吸音绵	Sponge of platform starplate	
22	4	M16×80 GB/T5783	六角头螺栓	Bolt	10.9-达克罗
23	4	850-0200019	厚垫圈	Washer	
24	5	853D-0200012	螺母块	Screw block	
25	1	853D-0200002	右前封底板	Right-ahead cover plate	
26	1	853D-0200003	右中封底板	Right-Middle cover plate	
27	1	853D-0200011	右后封底板	Right-hind cover plate	
28	1	850H-0200001	平衡重	Counter weight	

02.1.2 回转平台(适用850H02机型) SLEWING PLATFORM(APPLY TO 850H02 TYPE)



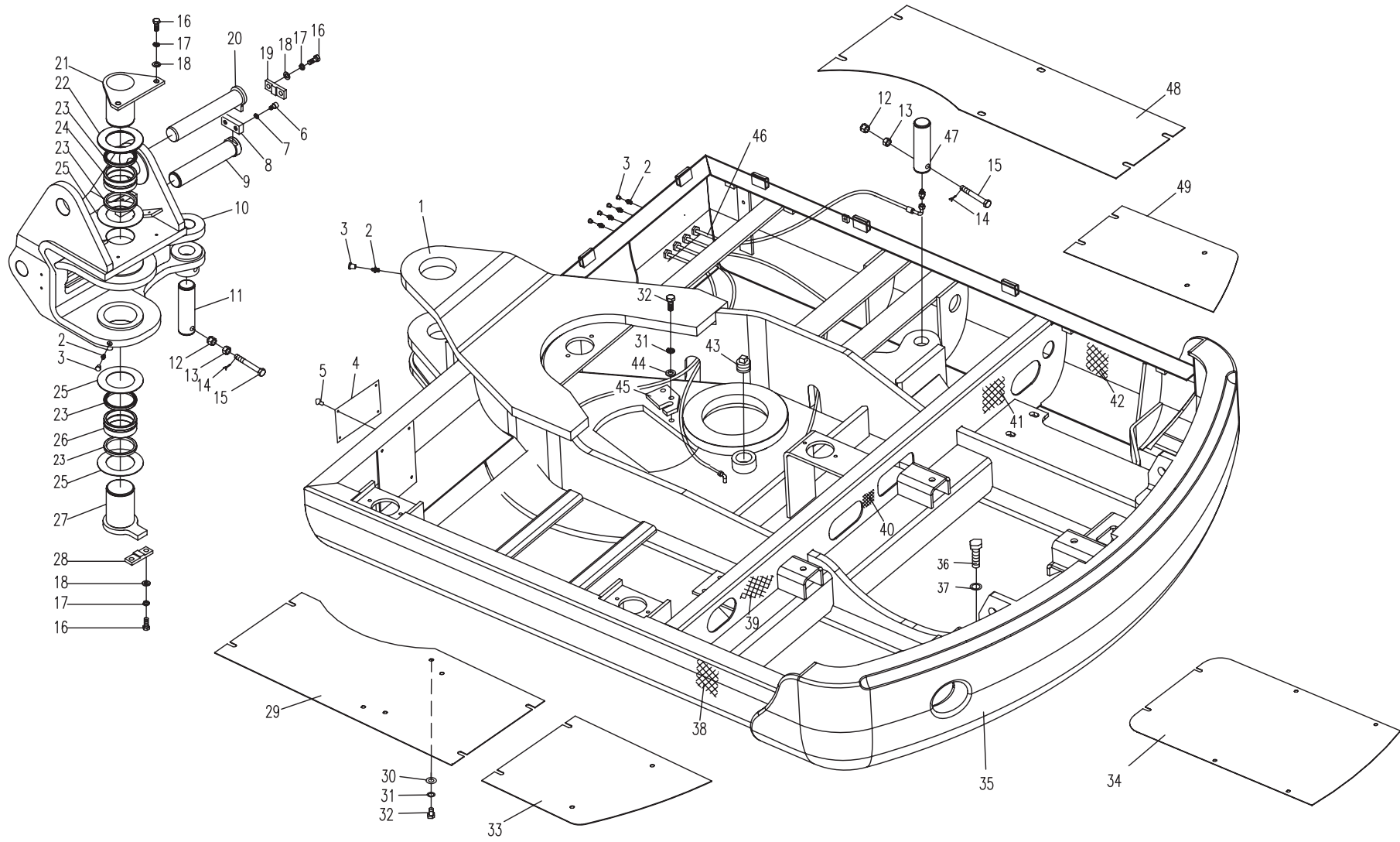
02.1.2 回转平台(适用850H02机型) SLEWING PLATFORM(APPLY TO 850H02 TYPE)



02.1.3 回转平台（适用850H03机型） SLEWING PLATFORM (APPLY TO 850H03 TYPE)

序号 No.	数量 Quantity	代号 Code	名称 Description		备注 Remark
1	1	850H-0207000	平台	Platform	
2	6	M10×1 JB/T7940.1	直通式压注油杯	Grease Cup	Zn.D
3	6	801-0400001	油杯盖	Grease Cup Cap	
4	1	T0802-01002	标牌(英文)	Scutcheon(English)	
	1	T0802-01003	标牌(法文)	Scutcheon(French)	
	1	T0802-01004	标牌(意大利文)	Scutcheon(Italy)	
5	4	4×12 GB/T12618	开口型扁圆头铆钉	Rivet	
6	2	M10×16 GB/T70.1	内六角圆柱头螺钉	Blot	8.8-达克罗
7	2	10 GB/T93	弹簧垫圈	Spring Washer	达克罗
8	1	850D-0200009	压板	Locking Board	
9	1	850D-0200003	动臂缸销轴	Shaft Pin	
		850D-0250000	转向头总成	Steering Head Assembly	包括序号10,23,26(Include 10,23,26)
10	1	850D-0201000	转向头	Steering Head	
11	1	850D-0200004	偏转缸前销轴	Shaft Pin	
12	2	M14 GB/T6178	1型六角开槽螺母	Nut	8-达克罗
13	2	M14 GB/T6170	1型六角螺母	Nut	8-达克罗
14	2	3.2×40 GB/T91	开口销	Cotter Pin	达克罗
15	2	M14×110 GB/T31.1	六角头螺杆带孔螺栓	Bolt	8.8-达克罗
16	6	M12×30 GB/T5783	六角头螺栓	Blot	8.8-达克罗
17	6	12 GB/T93	弹簧垫圈	Spring Washer	达克罗
18	6	12 GB/T97.1	平垫圈	Washer	达克罗
19	1	850-0200013	止板	Locking Board	
20	1	850D-0207000	动臂销轴	Shaft Pin	
21	1	850D-0203000	上销轴	Shaft Pin	
22	1	850D-0200001	承重垫圈	Washer	
23	4	850D-0205001	防尘圈85×100×8	Dustproof Ring	DLW 08502
24	1	850D-0200002	上衬套	Bush	
25	适量	850D-0200005	隔垫片	Washer	

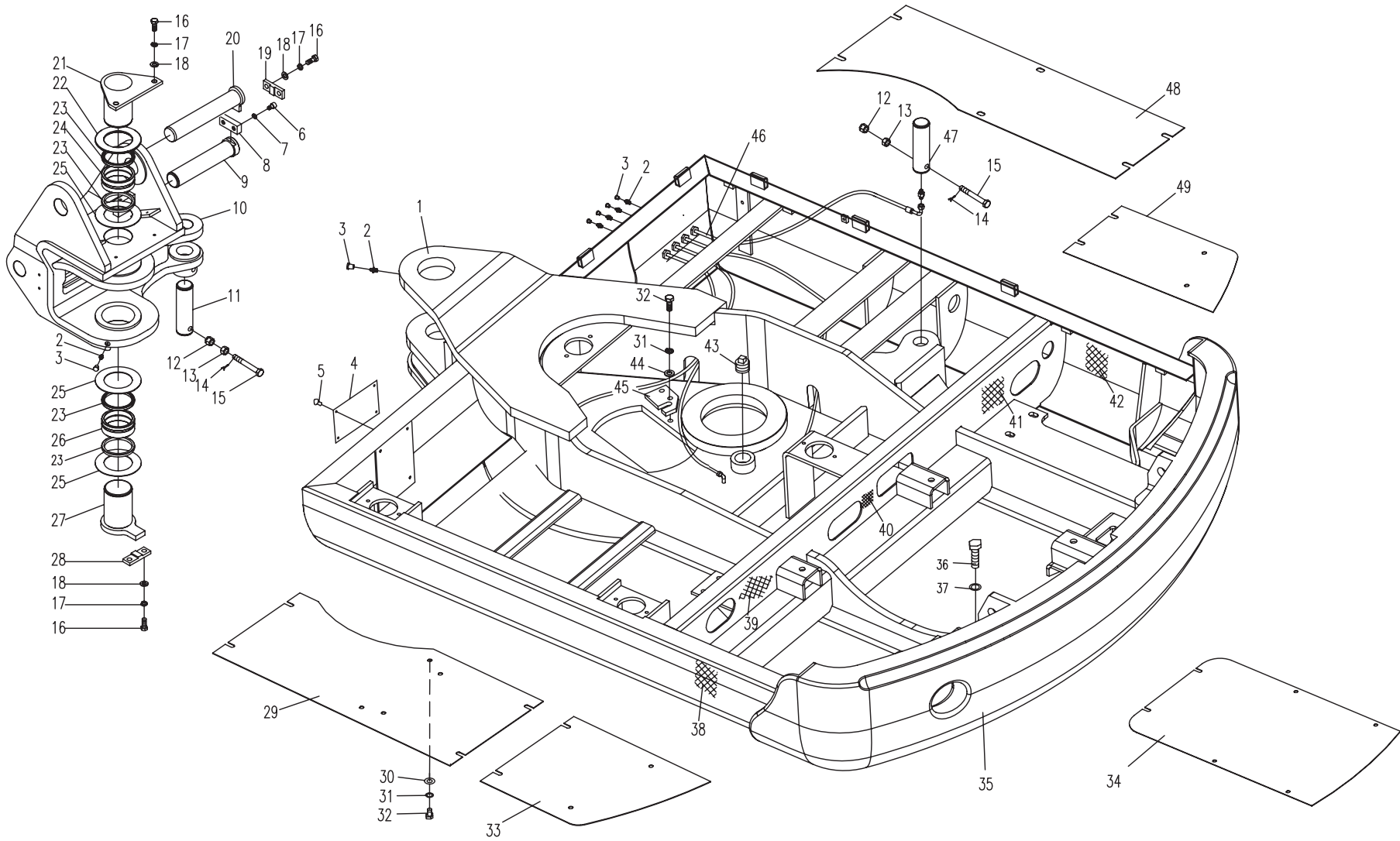
02.1.3 回转平台（适用850H03机型）SLEWING PLATFORM (APPLY TO 850H03 TYPE)



02.1.3 回转平台（适用850H03机型） SLEWING PLATFORM (APPLY TO 850H03 TYPE)

序号 No.	数量 Quantity	代号 Code	名称 Description		备注 Remark
26	1	850D-0200006	下衬套	Bush	
27	1	850D-0204000	下销轴	Shaft Pin	
28	1	860-0200009	止板	Locking Board	
29	1	850-0200008	左前封底板	Left-ahead Cover Board	
30	26	10 GB/T 96	大垫圈	Big washer	Zn.D
31	28	10 GB/T93	弹簧垫圈	Spring Washer	Zn.D
32	28	M10×25 GB/T5783	六角头螺栓	Blot	8.8-Zn.D
33	1	853D-0200009	左后封底板	Left-hind Cover Board	
34	1	850-0200005	中封底板	Middle Cover Board	
35	1	850H-0200001	平衡重	Counter Weight	
36	4	M16×80 GB/T5783	六角头螺栓	Bolt	10.9-达克罗
37	4	850-0200019	厚垫圈	Thick washer	
38	1	850-0200017	平台左侧吸音绵	Sponge Of Platform Nearside	
39	1	853D-0200007	横梁左侧吸音绵	Sponge Of Crossbeam Nearside	
40	1	853D-0200005	横梁中间吸音绵	Sponge Of Crossbeam Midst	
41	1	853D-0200006	横梁右侧吸音绵	Sponge Of Crossbeam Starboard	
42	1	850-0200015	平台右侧吸音绵	Sponge Of Platform Starboard	
43	1	820-0200013	螺塞	Screw Plug	
44	6	10 GB/T 97.1	平垫圈	Washer	Zn.D
45	1	850-0200002	止板	Locking Board	
46	4	820-0206000	滚道注油管 I	Injection Pipe I	
47	1	850D-0200007	偏转缸后销轴	Shaft Pin	
48	1	850D-0200008	右前封底板	Right-ahead Cover Board	
49	1	853D-0200011	右后封底板	Right-hind Cover Board	

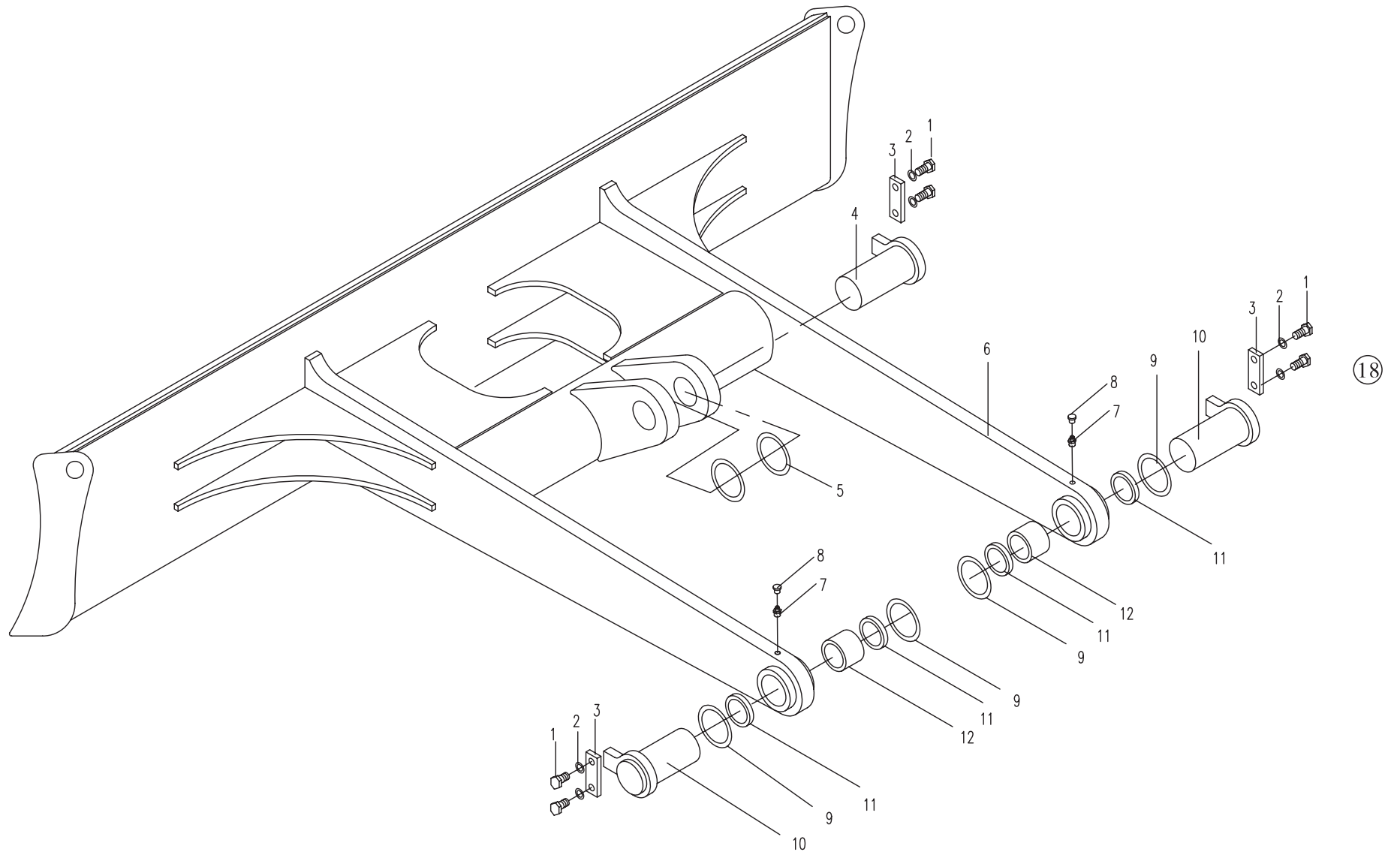
02.1.3 回转平台（适用850H03机型）SLEWING PLATFORM (APPLY TO 850H03 TYPE)



03.1.1 推土装置（适用850H01,850H02,850H03机型）DOZER EQUIPMENT (APPLY TO 850H01,850H02,850H03 TYPE)

序号 No.	数量 Quantity	代号 Code	名称 Description	备注 Remark	
	1	850-0311000	推土铲组件	Dozer blade unit	包括序号6, 10, 11 (Include 6, 10, 11)
1	8	M12X25 GB/T5783	六角头螺栓	Bolt	8.8-达克罗
2	8	12 GB/T93	弹簧垫圈	Spring washer	达克罗
3	4	860-0300002	压板	Clamping plate	
4	1	855-0302000	销轴	Shaft pin	
5	4	855-0400011	隔垫片	Spacer	
6	1	850-0301000	推土铲	Dozer blade	
7	2	M10X1 JB/T7940.1	直通式压注油杯	Grease cup	
8	2	801-0400001	油杯盖	Cap of grease cup	
9	4	860-0400011	隔垫片I	Spacer I	
10	2	860-0303000	销轴	Shaft pin	
11	4	860-0402009	防尘圈 I	Dust-proof seal I	
12	2	860-0300004	铜衬套	Copper bush	

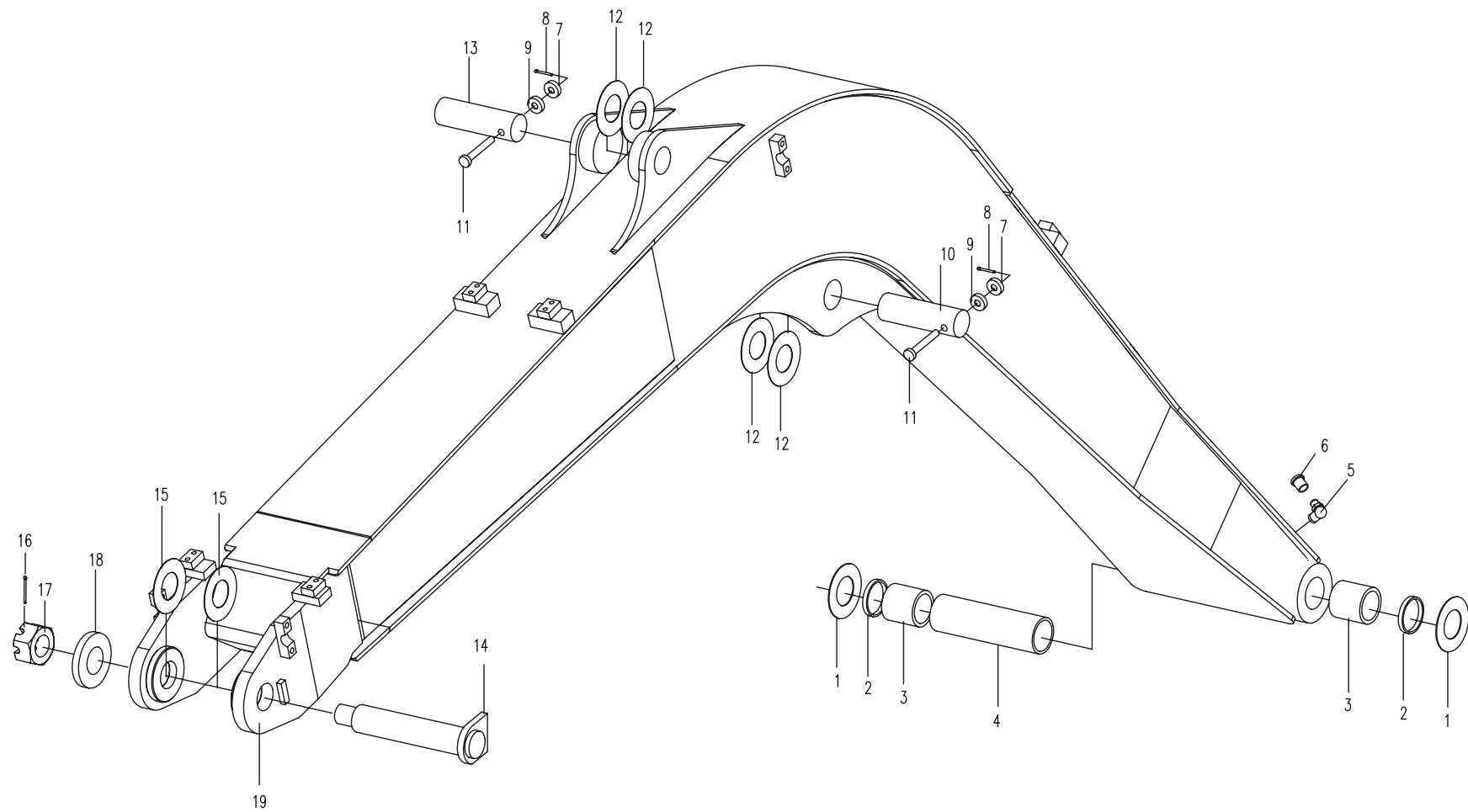
03.1.1 推土装置 (适用850H01,850H02,850H03机型) DOZER EQUIPMENT (APPLY TO 850H01,850H02,850H03 TYPE)



04.1.1 动臂安装(适用850H01, 850H02, 850H03机型) BOOM ASSEMBLY (APPLY TO 850H01,850H02,850H03 TYPE)

序号 No.	数量 Quantity	代号 Code	名称 Description		备注 Remark
	1	853-0401000	动臂	Boom	包括序号2, 3, 4, 19 (Include No. 2, 3, 4, 19)
1	2	860-0420007	隔垫片 II	Spacer II	
2	2	860-0424004	防尘圈	Dust-proof seal	
3	2	850-0401002	铜衬套	Copper bush	
4	1	850-0401003	中间衬套	Middle bush	
5	1	M10X1 JB/T7940.2	接头式压注油杯	Grease cup	Zn. D
6	1	801-0400001	油杯盖	Grease cup cap	
7	2	M14 GB/T6178	1型六角开槽螺母	Nut	8-达克罗
8	2	3.2X40 GB/T91	开口销	Cotter pin	达克罗
9	2	M14 GB/T6170	1型六角螺母	Nut	8-达克罗
10	1	850-0400007	销轴	Shaft pin	
11	2	M14X110 GB/T31.1	六角头螺杆带孔螺栓	Bolt	8.8-达克罗
12	4	860-0400011	隔垫片 I	Spacer I	
13	1	850-0400006	销轴	Shaft pin	
14	1	850-0407000	销轴(焊接件)	Shaft pin	
15	2	860-0420005	隔垫片 I	Spacer I	
16	1	8X95 GB/T91	开口销	Cotter pin	Zn. D
17	1	860-0400021	螺母	Nut	
18	1	860-0400019A	垫圈	Washer	
19	1	853-0401100A	动臂体	Boom body	

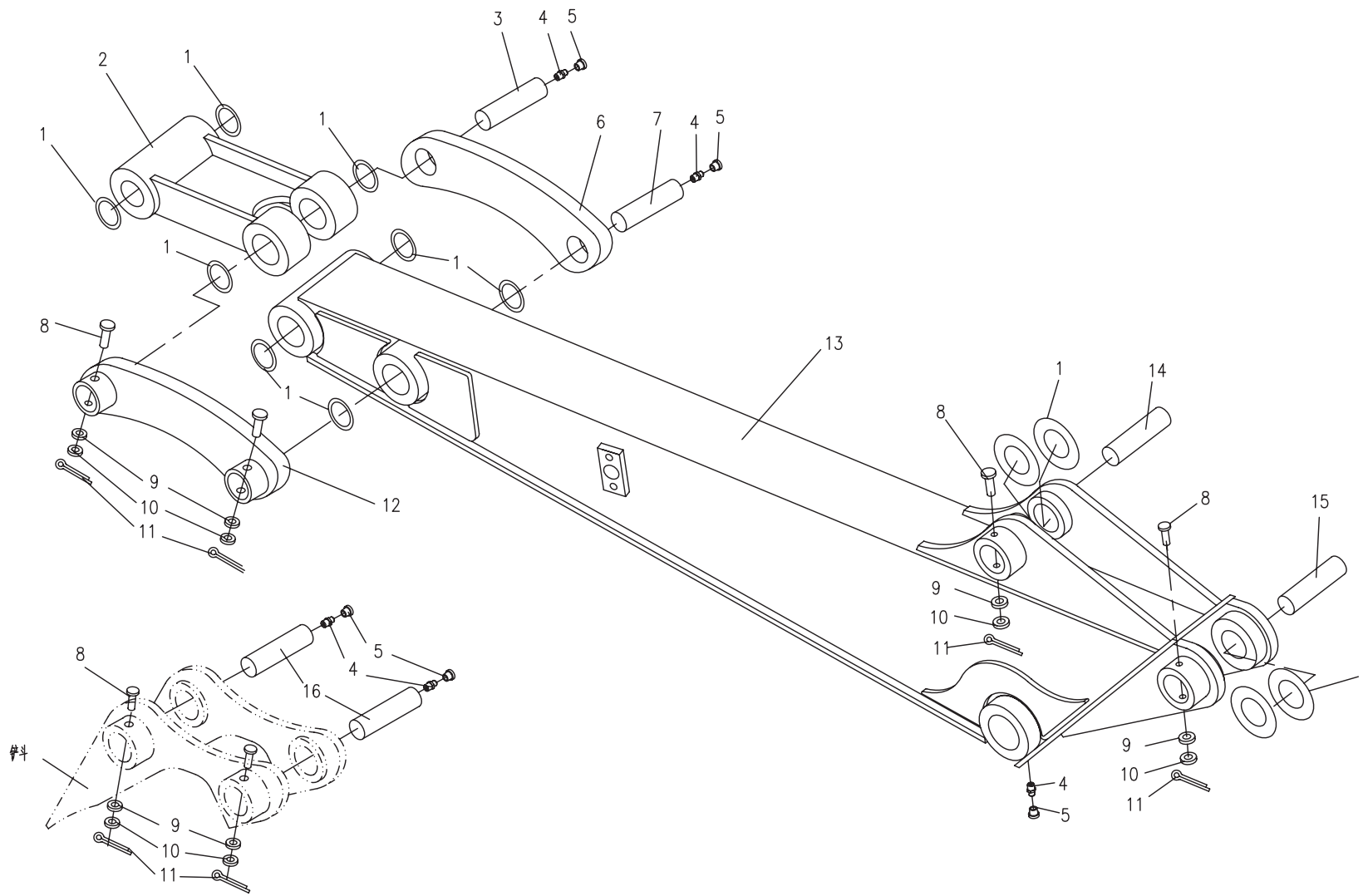
04.1.1 动臂安装(适用850H01,850H02,850H03机型) BOOM ASSEMBLY (APPLY TO 850H01,850H02,850H03 TYPE)



04.2.1 斗杆-连杆安装（适用850H01,850H02,850H03机型） ARM-CONNECTING ASSEMBLE (APPLY TO 850H01,850H02,850H03 TYPE)

序号 No.	数量 Quantity	代号 Code	名称 Description		备注 Remark
1	12	860-0400011	隔垫片 I	Spacer I	
2	1	850-0404000	连杆	Connecting rod	展开见 04.4.1
3	1	850-0400001A	销轴	Shaft pin	
4	5	M10×1 JB/T 7940.1	直通式压注油杯	Grease cup	Zn. D
5	5	801-0400001	油杯盖	Grease cup cap	
6	1	853D-0408000	右摇杆	Right rocker-arm	
7	1	850-0400002A	销轴	Shaft pin	
8	6	M14×110 GB/T 31.1	六角头螺杆带孔螺栓	Bolt	8-8-达克罗
9	6	M14 GB/T 6170	1型六角螺母	Nut	8-达克罗
10	6	M14 GB/T 6178	1型六角开槽螺母	Nut	8-达克罗
11	6	3.2×40 GB/T 91	开口销	Cotter pin	达克罗
12	1	853D-0405000	左摇杆	Left rocker-arm	
13	1	853-0402000A	斗杆	Arm	标准配置, 展开见 04.5.1
	1	853-1802000	加长400mm斗杆	Arm lenthener 400mm	选装, 展开见 04.5.1
14	1	850-0400003	销轴	Shaft pin	
15	1	850-0400004	销轴	Shaft pin	
16	2	855-0400001B	销轴	Shaft pin	

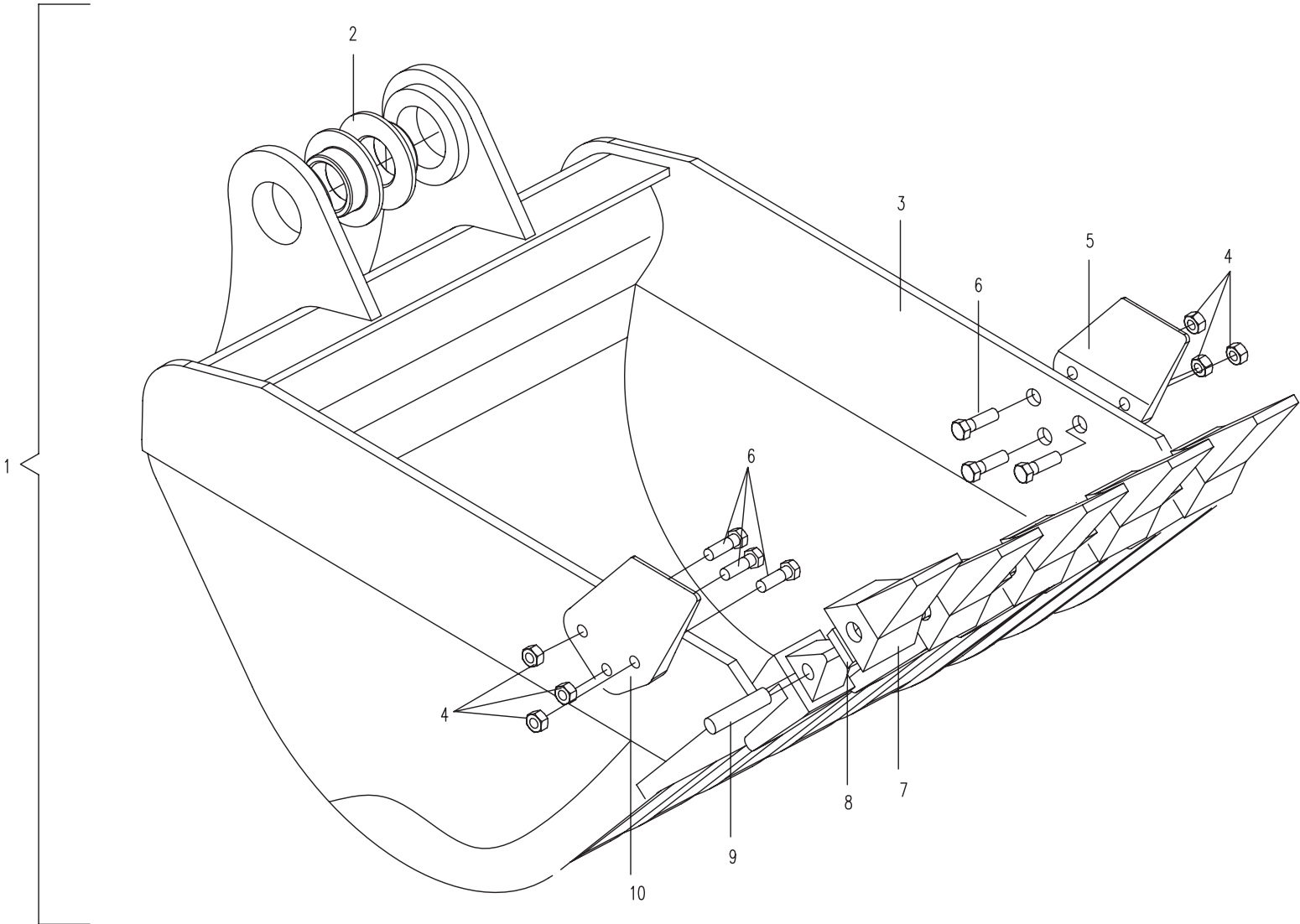
04.2.1 斗杆-连杆安装 (适用850H01,850H02,850H03机型) ARM-CONNECTING ASSEMBLY (APPLY TO 850H01,850H02,850H03 TYPE)



04.3.1 铲斗安装（适用850H01,850H02,850H03机型） BUCKET ASSEMBLY (APPLY TO 850H01,850H02,850H03 TYPE)

序号 No.	数 量 Quantity	代 号 Code	名 称 Description		备 注 Remark
1	1	853D-0403000	标准铲斗	Standard bucket	
2	4	850-0403003	衬套	Bush	
3	1	853D-0403100	铲斗体	Backhoe bucket body	
4	6	M12 GB/T6182	嵌件六角锁紧螺母	Nut	10-达克罗
5	1	850-0403001	左刀块	Left cutter	
6	6	M12X45 GB/T 5783	六角头螺栓	Bolt	10.9-达克罗
7	5	860-0403001	齿套	Teeth sheath	
8	5	860-0434001	橡胶垫	Rubber spacer	
9	5	860-0403005	销垫	Pin spacer	
10	1	850-0403002	右刀块	Right cutter	

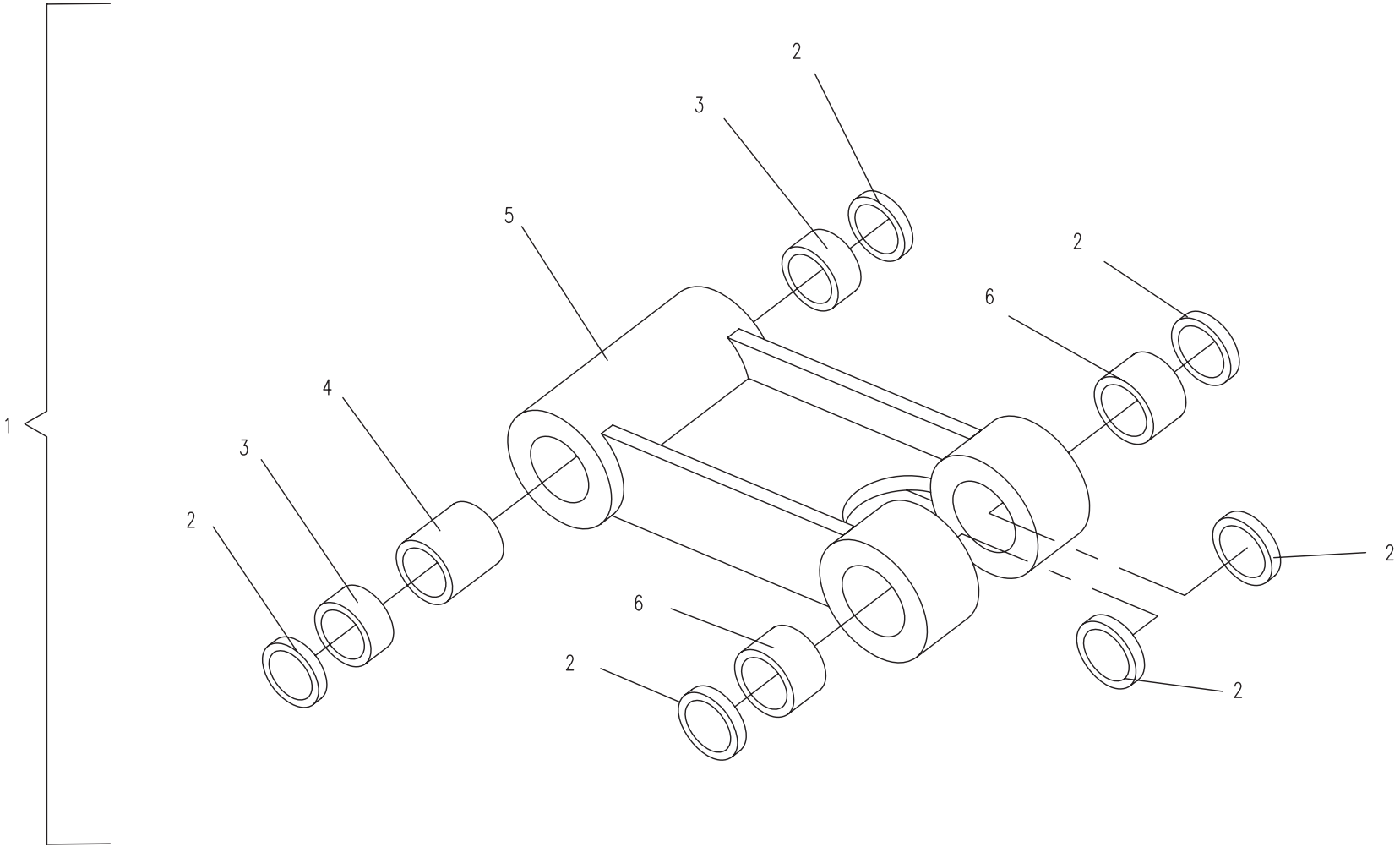
04.3.1 铲斗安装 (适用850H01,850H02,850H03机型) BUCKET ASSEMBLY (APPLY TO 850H01,850H02,850H03 TYPE)



04.4.1 连杆组件（适用850H01,850H02,850H03机型）CONNECTING ROD ASSEMBLY (APPLY TO 850H01,850H02,850H03 TYPE)

序号 No.	数量 Quantity	代号 Code	名称 Description		备注 Remark
1	1	850-0404000	连杆	Connecting rod	
2	6	860-0402009	防尘圈 I	Dust-proof seal I	
3	2	860-0402012	钢衬套	Steel bush	
4	1	850-0402001	中间衬套 I	Middle bush I	
5	1	850-0404100	连杆体	Connecting rod body	
6	2	850-0404002	钢衬套	Steel bush	

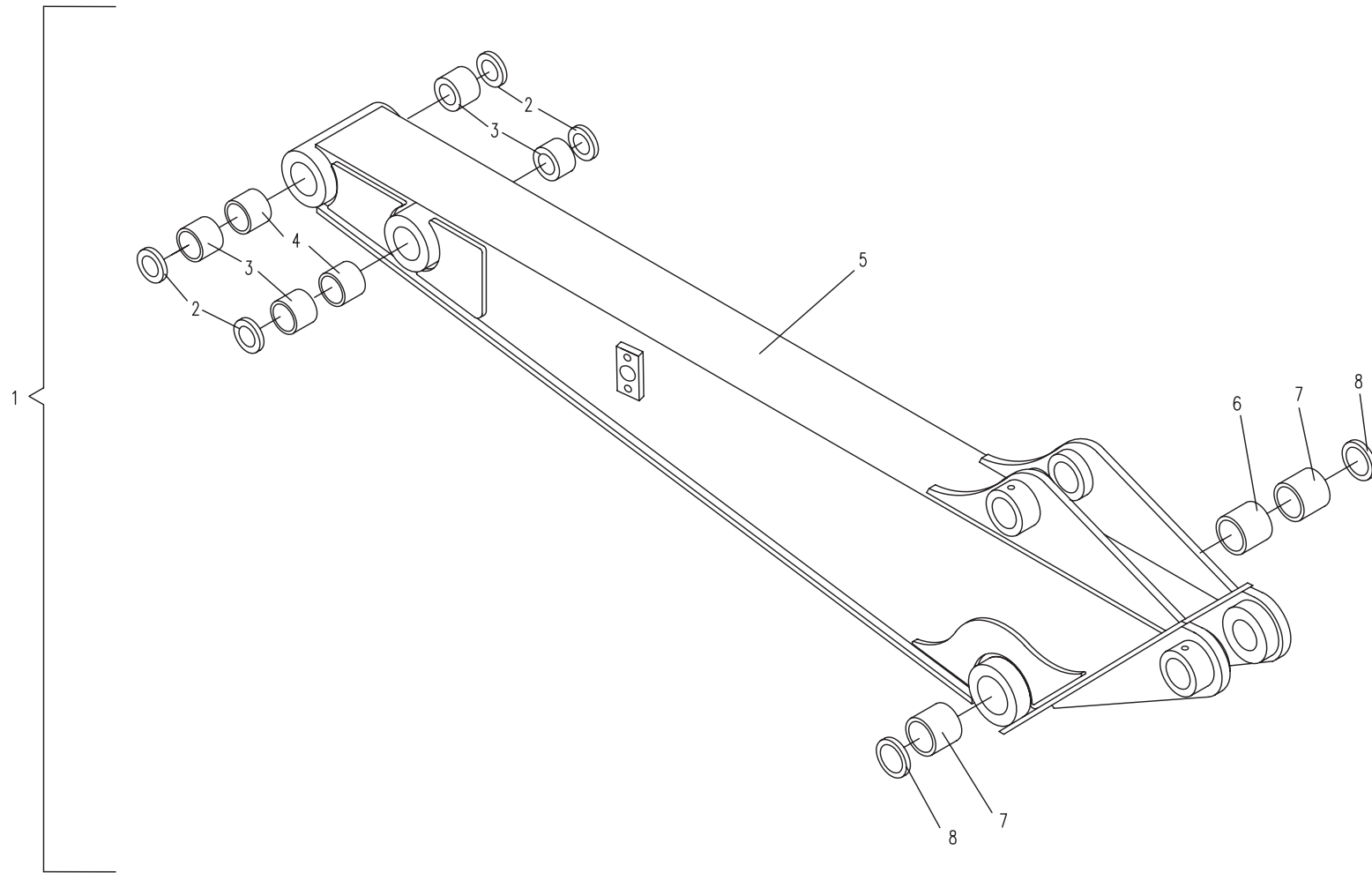
04.4.1 连杆组件 (适用850H01,850H02,850H03机型) CONNECTING ROD ASSEMBLY (APPLY TO 850H01,850H02,850H03 TYPE)



04.5.1 斗杆组件（适用850H01,850H02,850H03机型）ARM ASSEMBLY (APPLY TO 850H01,850H02,850H03 TYPE)

序号 No.	数量 Quantity	代号 Code	名称 Description		备注 Remark
1	1	853-0402000A	斗杆	Arm	
		853-1802000	斗杆	Arm	选装,加长400mm斗杆
2	4	860-0402009	防尘圈 I	Dust-proof seal I	
3	4	860-0402012	钢衬套	Steel bush	
4	2	850-0402001	中间衬套 I	Middle bush I	
5	1	853-0402100A	斗杆体	Arm body	
		853-1802100	斗杆体	Arm body	选装,加长400mm斗杆
6	1	850-0402003A	中间衬套 II	Middle bush II	
7	2	850-0402002	铜衬套	Copper bush	
8	2	860-0424004	防尘圈	Dust-proof seal	

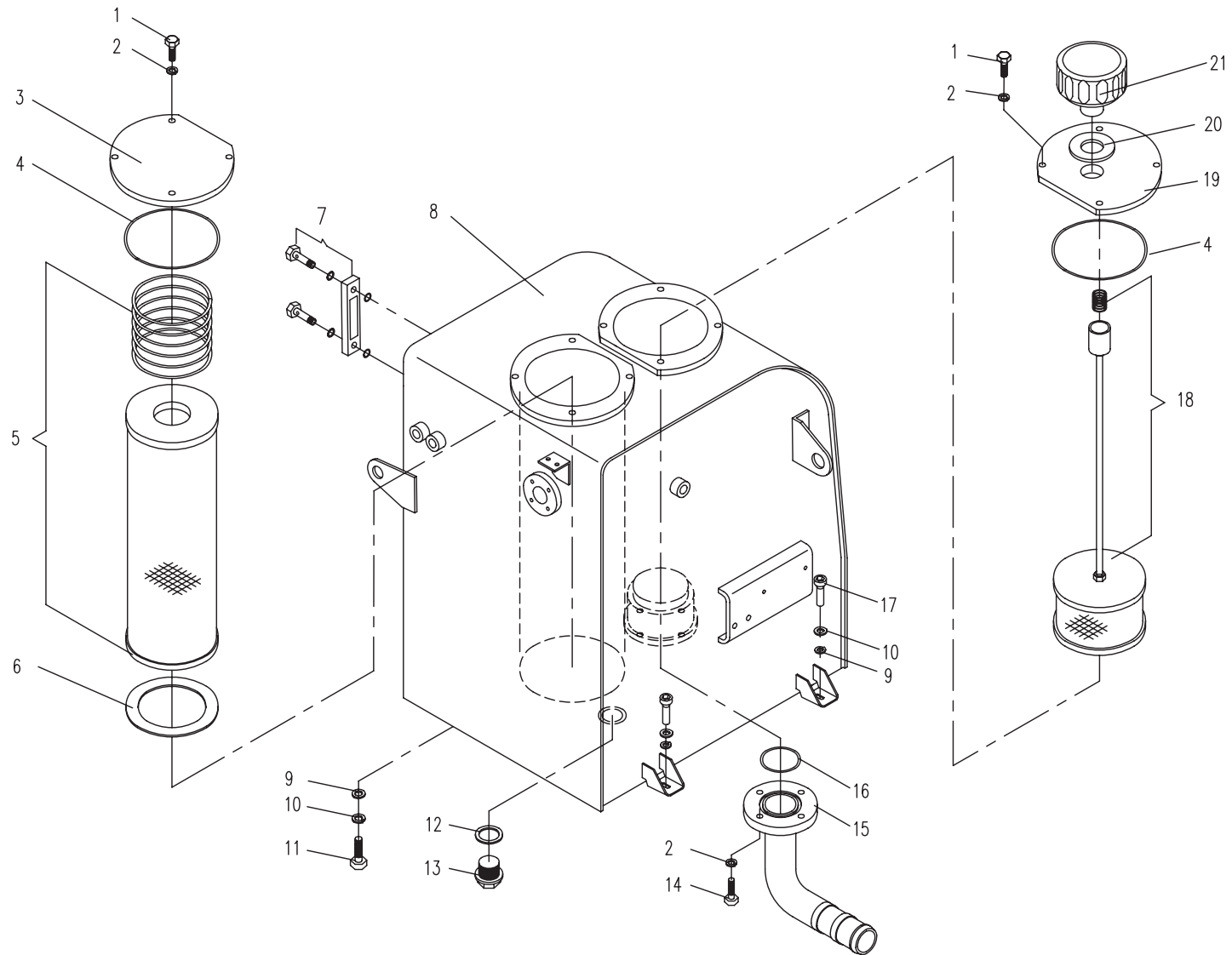
04.5.1 斗杆组件 (适用850H01,850H02,850H03机型) ARM ASSEMBLY (APPLY TO 850H01,850H02,850H03 TYPE)



05.1.1 液压油箱1(适用850H01机型) HYDRAULIC OIL TANK 1(APPLY TO 850H01 TYPE)

序号 No.	数量 Quantity	代号 Code	名称 Description		备注 Remark
1	8	M10×25 GB/T5783	六角头螺栓	Bolt	8. 8-Zn. D
2	12	10 GB/T93	弹簧垫圈	Spring washer	Zn. D
3	1	850-0503004	回油法兰盖	Flange cover	
4	2	160×3 NRO-90 ISO	O形橡胶密封圈	O seal ring	
5	1	853D-0503200	回油滤总成	Oil-return filter assembly	
6	1	860-0513001	橡胶垫	Rubber mat	
7	1	860A-0513500	液位计总成	Liquidometer assembly	
8	1	853D-0503100A	油箱体	Hydraulic oil tank body	
9	5	12 GB/T97. 1	垫圈	Washer	Zn. D
10	5	12 GB/T93	弹簧垫圈	Spring washer	Zn. D
11	3	M12×30 GB/T5783	六角头螺栓	Bolt	8. 8-Zn. D
12	1	33 BS/A 33.7×42×2 ISO	组合密封垫圈	Combinatory washer	
13	1	801-0521003	油堵	Bolt stifled	
14	4	M10×30 GB/T5783	六角头螺栓	Bolt	
15	1	853D-0503600	油箱吸油管	Suck vitta assembly	
16	1	59.92X3.53 GB/T3452.1	O形橡胶密封圈	O seal ring	丁腈橡胶
17	2	M12×30 GB/T70.1	内六角圆柱头螺钉	Bolt	
18	1	860L-0505200	吸油滤总成	Oil-intake filter assembly	
19	1	853D-0503500	法兰盖总成	Flange assembly	
20	1	27 BS/A27.7X36X2 ISO	组合密封垫圈	Combinatory washer	
21	1	835-0501400	空气滤清器	Air cleaner	

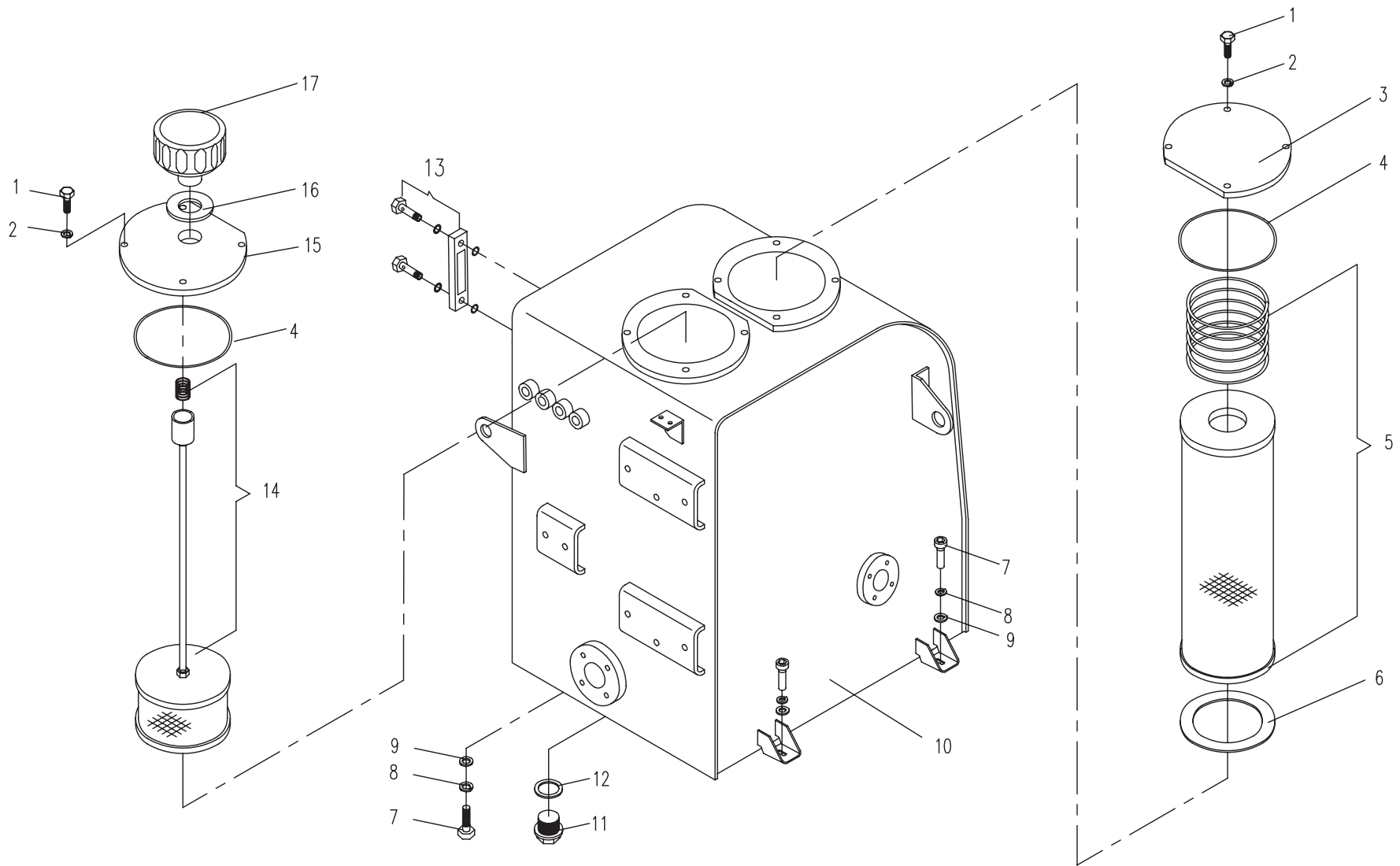
05.1.1 液压油箱1(适用850H01机型) HYDRAULIC OIL TANK 1(APPLY TO 850H01 TYPE)



05. 1. 2 液压油箱2(适用850H02,850H03机型) HYDRAULIC OIL TANK 2(APPLY TO 850H02,850H03 TYPE)

序号 No.	数量 Quantity	代号 Code	名称 Description		备注 Remark
1	8	M10×25 GB/T5783	六角头螺栓	Bolt	8.8-Zn.D
2	8	10 GB/T93	弹簧垫圈	Spring washer	Zn.D
3	1	853D-0508001A	回油法兰盖	Flange cover	
4	2	160X3 NRO-90 ISO	O形橡胶密封圈	O seal ring	
5	1	853D-0503200	回油滤总成	Oil-return filter assembly	
6	1	860-0513001	橡胶垫	Rubber mat	
7	5	M12X30 GB/T5783	六角头螺栓	Bolt	8.8-Zn.D
8	5	12 GB/T93	弹簧垫圈	Spring washer	Zn.D
9	5	12 GB/T97. 1	垫圈	Washer	Zn.D
10	1	853D-0508100A	油箱体	Hydraulic oil tank body	适用850H02
	1	850H-0503100	油箱体	Hydraulic oil tank body	适用850H03
11	1	801-0521003	油堵	Bolt stifled	
12	1	33 BS/A 33.7X42X2 ISO	组合密封垫圈	Combinatory washer	
13	1	860A-0513500	液位计总成	Liquidometer assembly	
14	1	852A-0501300	吸油滤总成	Oil-intake filter assembly	
15	1	853D-0503500	法兰盖总成	Flange assembly	
16	1	27 BS/A27.7X36X2 ISO	组合密封垫圈	Combinatory washer	
17	1	835-0501400	空气滤清器	Air cleaner	

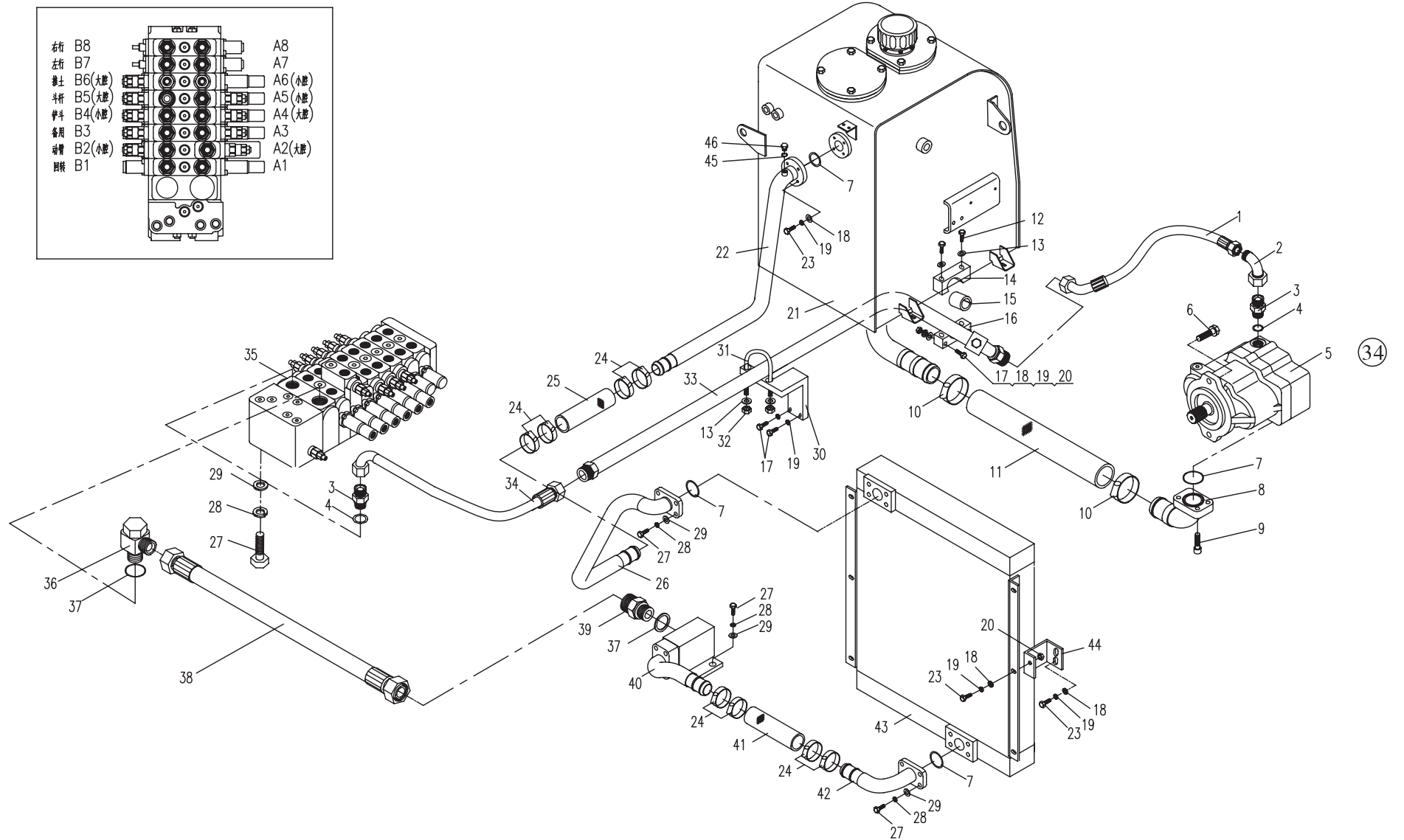
05.1.2 液压油箱2(适用850H02,850H03机型) HYDRAULIC OIL TANK 2(APPLY TO 850H02,850H03 TYPE)



05.2.1 主液压系统-供油与回油（适用850H01机型） MAIN HYDRAULIC SYSTEM-OIL SUPPLY AND RETURN (APPLY TO 850H01 TYPE)

序号 No.	数量 Quantity	代号 Code	名称 Description		备注 Remark
1	1	850-0512000A	胶管总成	Rubber hose assembly	
2	1	850-0500023	卡套式管接头	Pipe joint	
3	2	870-0500021	直接头	Bolt joint	
4	2	23.7×3.5 NBR-90 ISO	O型橡胶密封圈	O seal ring	
5	1	850-0501000A	主泵	Main pump	
6	2	M12×35 GB/T5783	六角头螺栓	Bolt	12.9-达克罗
7	4	38.7×2.65 NBR-90 ISO	O型橡胶密封圈	O seal ring	
8	1	850-0511000	泵吸油钢管总成	Steel pipe assembly	
9	4	M10×25 GB/T70.1	内六角圆柱头螺钉	Bolt	8.8-Zn.D
10	2	48 SAE JB1508	喉箍	Hoop	Zn.D
11	1	850-0500009	吸油胶管	Transport oil rubber pipe	
12	2	M6×30 GB/T5783	六角头螺栓	Bolt	8.8-Zn.D
13	4	6 GB/T93	弹簧垫圈	Spring washer	Zn.D
14	1	853-0500014	管夹	Pipe clamp	
15	1	853-0500013	橡胶套	Rubber sleeve	
16	1	853-0500015	管座	Pipe clamp seat	
17	4	M8×45 GB/T 5783	六角头螺栓	Bolt	8.8-Zn.D
18	30	8 GB/T 97.1	平垫圈	Washer	Zn.D
19	30	8 GB/T93	弹簧垫圈	Spring washer	Zn.D
20	8	M8 GB/T6170	1型六角螺母	Nut	Zn.D
21	1	853D-0503000	液压油箱	Hydraulic oil tank	
22	1	853D-0515000	回油箱钢管	Steel pipe assembly	包括45, 46
23	28	M8×25 GB/T5783	六角头螺栓	Bolt	8.8-Zn.D
24	8	d50 JB/T8870	喉箍	Hoop	
25	1	850-0500017	回油胶管	Rubber pipe	
26	1	853D-0524000	油冷器出口钢管总成	Steel pipe assembly	
27	16	M10×25 GB/T5783	六角头螺栓	Bolt	8.8-Zn.D
28	16	10 GB/T93	弹簧垫圈	Spring washer	Zn.D

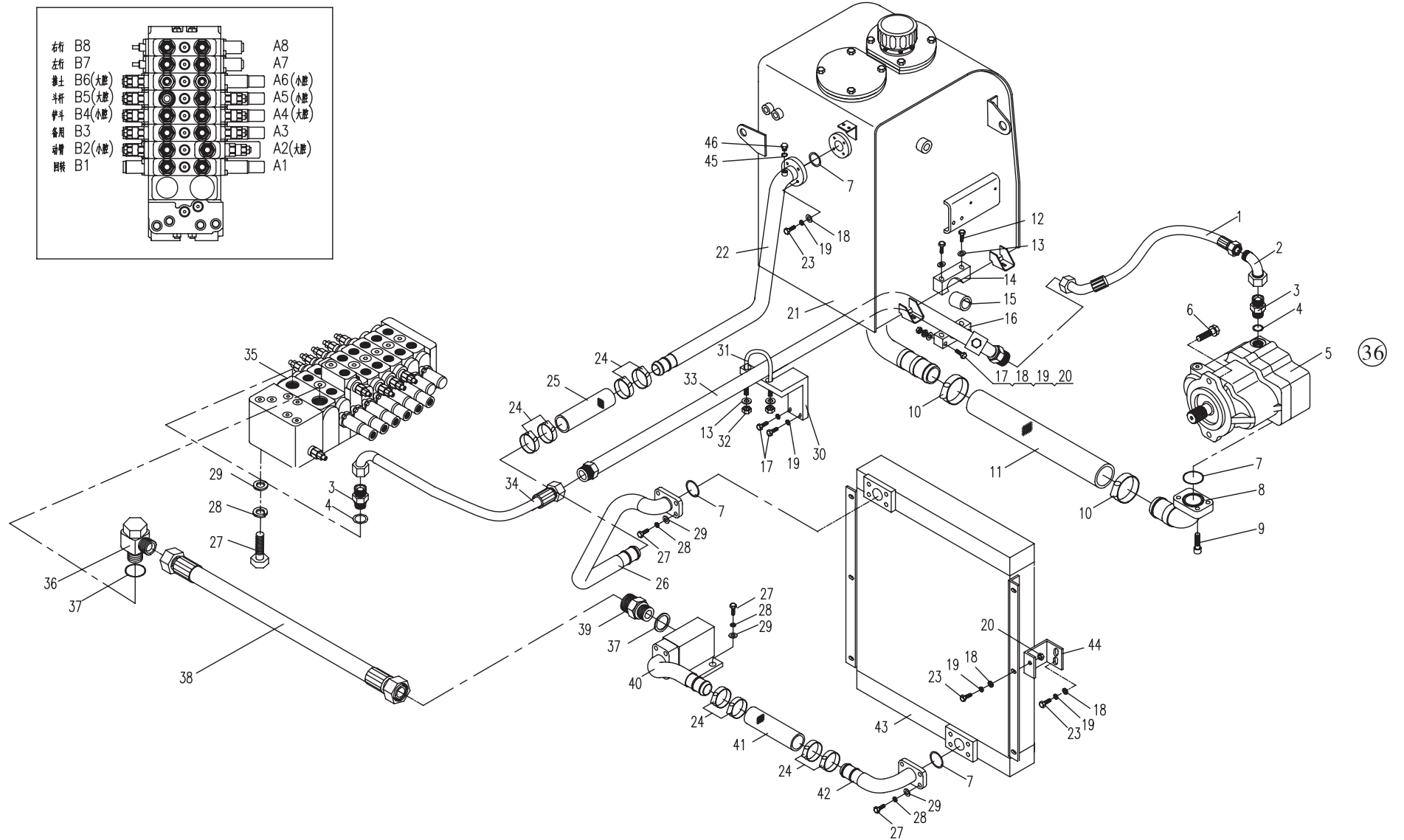
05.2.1 主液压系统-供油与回油 (适用850H01机型) MAIN HYDRAULIC SYSTEM-OIL SUPPLY AND RETURN (APPLY TO 850H01 TYPE)



05.2.1 主液压系统-供油与回油（适用850H01机型） MAIN HYDRAULIC SYSTEM-OIL SUPPLY AND RETURN (APPLY TO 850H01 TYPE)

序号 No.	数量 Quantity	代号 Code	名称 Description		备注 Remark
29	16	10 GB/T97.1	平垫圈	Washer	Zn.D
30	1	853-0500003	管座	Pipe clamp seat	
31	1	853-0500004	管夹	Pipe clamp	
32	2	M6 GB/T6170	1型六角螺母	Nut	8-Zn.D
33	1	850-0531000A	泵阀钢管总成	Steel pipe assembly	
34	1	850-0513000B	胶管总成	Rubber hose assembly	
35	1	850-0502000A	多路阀	Multi-change valve	
36	1	850-0551000	铰接头	Hinge joint	
37	2	33 BS/A33.7×42×2 ISO	组合密封垫圈	Combinatory washer	
38	1	850-0532000	回油胶管总成	Rubber hose assembly	
39	1	850-0500006	直接头	Bolt joint	
40	1	850-0516000	背压阀总成	Valve	
41	1	850-0500008	回油胶管	Rubber hose assembly	
42	1	850-0517000	油冷器进口钢管总成	Steel pipe assembly	
43	1	850-0509000	油散热器	Radiator	
44	6	850-0500030	安装板	Bracket	
45	1	18 BS/A18.7×27×2 ISO	组合密封垫圈	Combinatory washer	
46	1	820-0502001	螺塞	Screw plug	

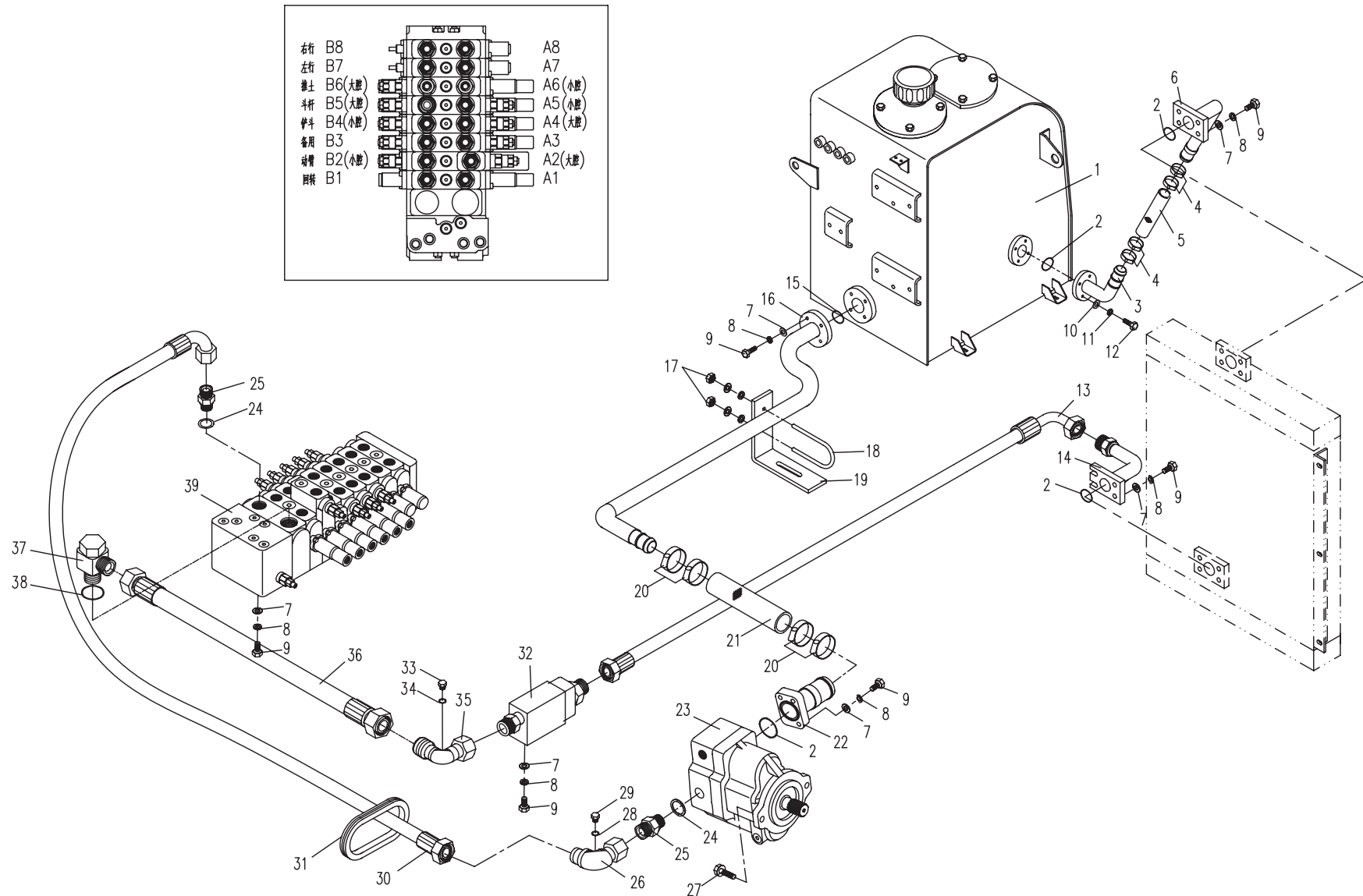
05.2.1 主液压系统-供油与回油 (适用850H01机型) MAIN HYDRAULIC SYSTEM-OIL SUPPLY AND RETURN (APPLY TO 850H01 TYPE)



05.2.2 主液压系统-供油与回油(适用850H02,850H03机型) MAIN HYDRAULIC SYSTEM-OIL SUPPLY AND RETURN (APPLY TO 850H02,850H03 TYPE)

序号 No.	数量 Quantity	代号 Code	名称 Description		备注 Remark
1	1	853D-0508000A	液压油箱	Hydraulic oil tank	
2	3	38.7×2.65 NBR-90 ISO	O型橡胶密封圈	O seal ring	
3	1	853D-0507000	回油箱钢管总成	Steel pipe assembly	
4	8	d50 JB/T8870	喉箍	Hoop	
5	1	853D-0500003	输油胶管	Rubber pipe	
6	1	853D-0506000	散热器出口钢管总成	Steel pipe assembly	
7	22	10 GB/T97. 1	平垫圈	Washer	Zn.D
8	22	10 GB/T93	弹簧垫圈	Spring washer	Zn.D
9	22	M10×30 GB/T5783	六角头螺栓	Bolt	8..8-Zn.D
10	10	8 GB/T97. 1	平垫圈	Washer	Zn.D
11	10	8 GB/T93	弹簧垫圈	Spring washer	Zn.D
12	6	M8×25 GB/T5783	六角头螺栓	Bolt	8.8-Zn.D
13	1	853D-0514000	胶管总成	Rubber hose assembly	
14	1	852A-0504000A	油冷器进口钢管总成	Steel pipe assembly	
15	1	59.92×3.53 NBR-90 ISO	O形橡胶密封圈	O seal ring	
16	1	850H-0501000	油箱出油钢管总成	Steel pipe assembly	
17	2	M8 GB/T6170	1型六角螺母	Nut	Zn.D
18	1	853D-0500002	管夹	Pipe clamp	
19	1	853D-0500001B	管支架	Bracket	适用850H02
		850H-0500001	管支架	Bracket	适用850H03
20	4	48 SAE JB1508	喉箍	Hoop	
21	1	853D-0500004	输油胶管	Rubber pipe	
22	1	850H-0502000	进油钢管总成	Steel pipe assembly	
23	1	850-0501000A	主泵	Pump	
24	2	23.7x3.5 NBR-90 ISO	O形橡胶密封圈	O seal ring	
25	1	850-0500007	直接头	Bolt joint	
26	1	850H-0500006	直角接头	Square joint	
27	2	M12×35 GB/T5783	六角头螺栓	Bolt	12.9-达克罗

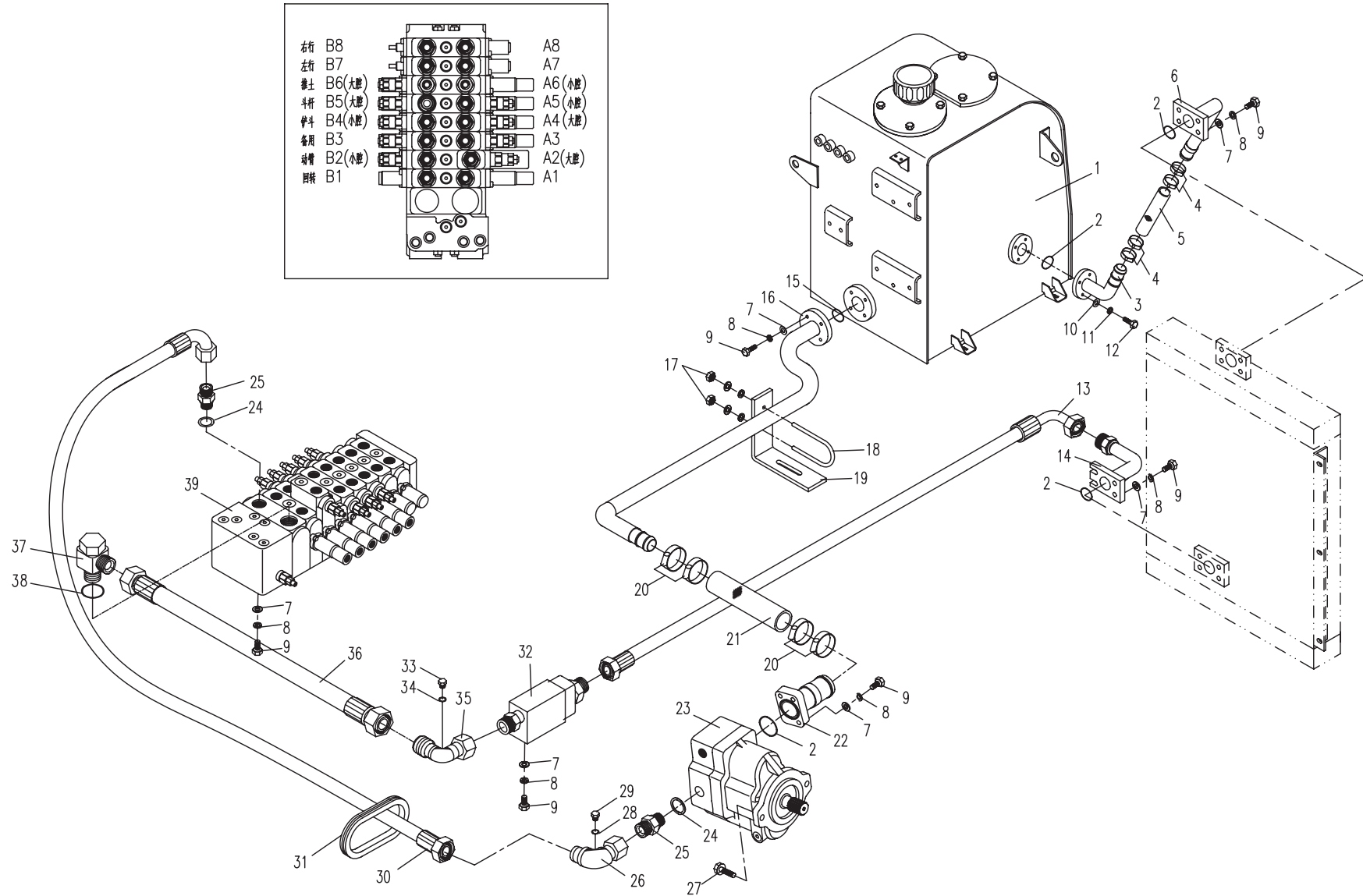
05.2.2 主液压系统-供油与回油(适用850H02,850H03机型) MAIN HYDRAULIC SYSTEM-OIL SUPPLY AND RETURN (APPLY TO 850H02,850H03 TYPE)



05.2.2 主液压系统-供油与回油(适用850H02,850H03机型) MAIN HYDRAULIC SYSTEM-OIL SUPPLY AND RETURN (APPLY TO 850H02,850H03 TYPE)

序号 No.	数量 Quantity	代号 Code	名称 Description		备注 Remark
28	1	820-0500004	堵头	Screw plug	
29	1	10 BS/A 10.7×16×1.5 ISO	组合密封垫圈	Combinatory washer	
30	1	853D-0512000A	胶管总成	Rubber hose assemgly	
31	1	853D-0500011	护孔圈	Shield ring	
32	1	852A-0505000A	背压阀总成	Valve	
33	1	810-0500023	堵头	Screw plug	
34	1	18 BS/A 18.7×27×2 ISO	组合密封垫圈	Combinatory washer	
35	1	830D-0500028	管接头	Joint	
36	1	850-0532000	回油胶管总成	Rubber hose assemgly	
37	1	850-0551000	铰接头	Right angle joint	
38	1	33 BS/A33.7x42x2 ISO	组合密封垫圈	Combinatory washer	
39	1	850-0502000A	多路阀	Mutil-change valve	
				2	

05.2.2 主液压系统-供油与回油(适用850H02,850H03机型) MAIN HYDRAULIC SYSTEM-OIL SUPPLY AND RETURN (APPLY TO 850H02,850H03 TYPE)

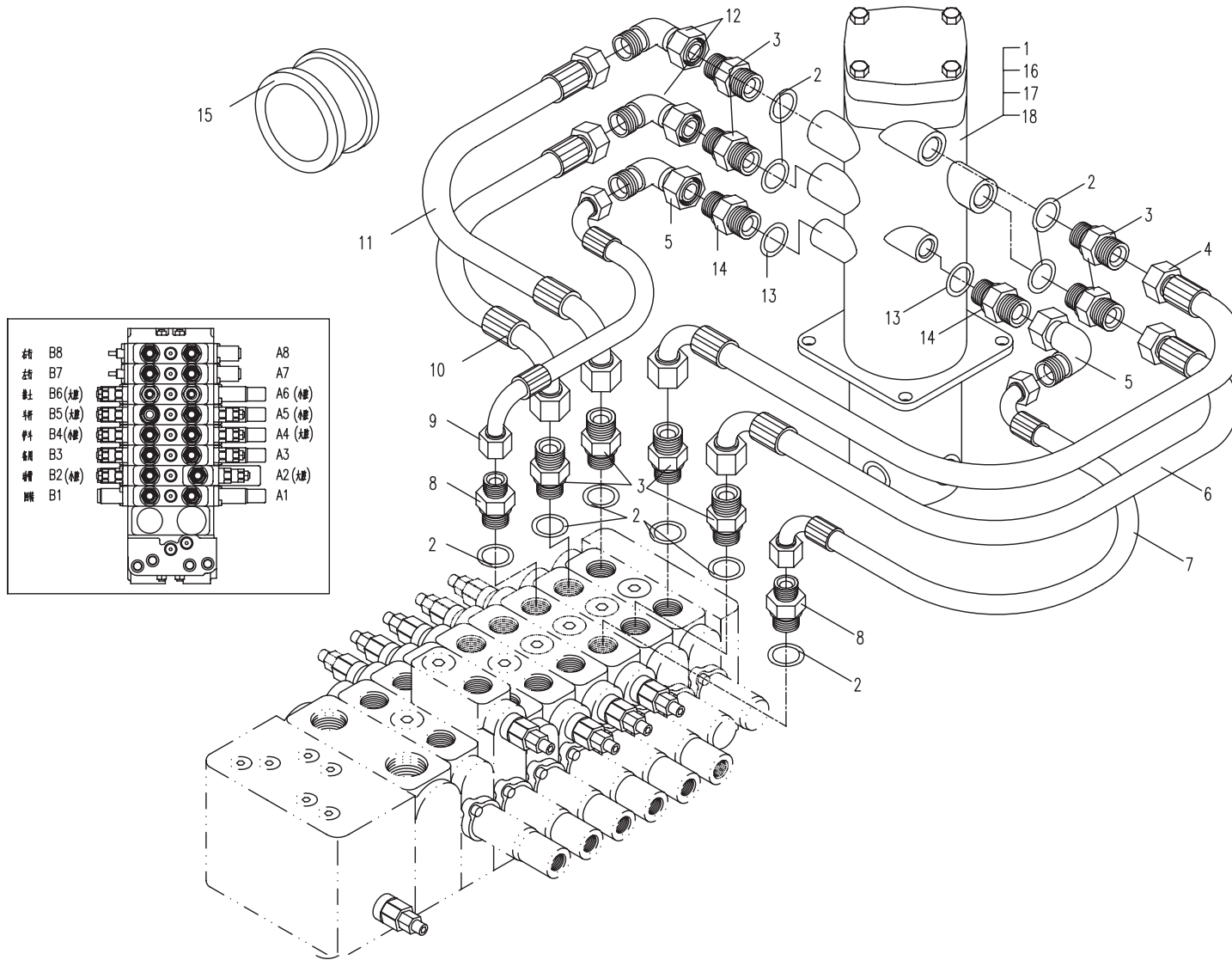


05.3.1主液压系统-中央回转接头(适用850H01,850H02,850H03机型)MAIN HYDRAULIC SYSTEM-CENTRE SLEWING JOINT(APPLY TO 850H01,850H02,850H03 TYPE)

序号 No.	数量 Quantity	代号 Code	名称 Description		备注 Remark
1	1	850-0504000	中央回转接头	Centre slewing joint	展开见05.6.1
2	6	17.8×2.4 NBR-90 ISO	O形橡胶密封圈	O seal ring	
3	8	850-0500005	直接头	Bolt joint	
4	1	850-0536000	胶管总成	Rubber hose assembly	
5	2	818B-0500063	内外螺纹弯接头	Joint	
6	1	850-0535000	胶管总成	Rubber hose assembly	
7	1	850-0537000	胶管总成	Rubber hose assembly	
8	2	850-0500012	直接头	Bolt joint	
9	1	850-0538000	胶管总成	Rubber hose assembly	
10	1	850-0541000	胶管总成	Rubber hose assembly	
11	1	850-0539000	胶管总成	Rubber hose assembly	
12	2	830E-0500003	内外螺纹弯接头	Joint	
13	2	13.8×2.4 NBR-90 ISO	O形橡胶密封圈	O seal ring	
14	2	820-0500041	直接头	Bolt joint	
15	1	850-0500011	橡胶套	Rubber sleeve	
16	4	M10x25 GB/T5783	六角头螺栓	Bolt	8.8-Zn. D
17	4	10 GB/T93	弹簧垫圈	Spring washer	Zn. D
18	4	10 GB/T97.1	垫圈	Washer	Zn. D

05.3.1 主液压系统-中央回转接头(适用850H01,850H02,850H03机型)

MAIN HYDRAULIC SYSTEM-CENTRE SLEWING JOINT(APPLY TO 850H01,850H02,850H03 TYPE)

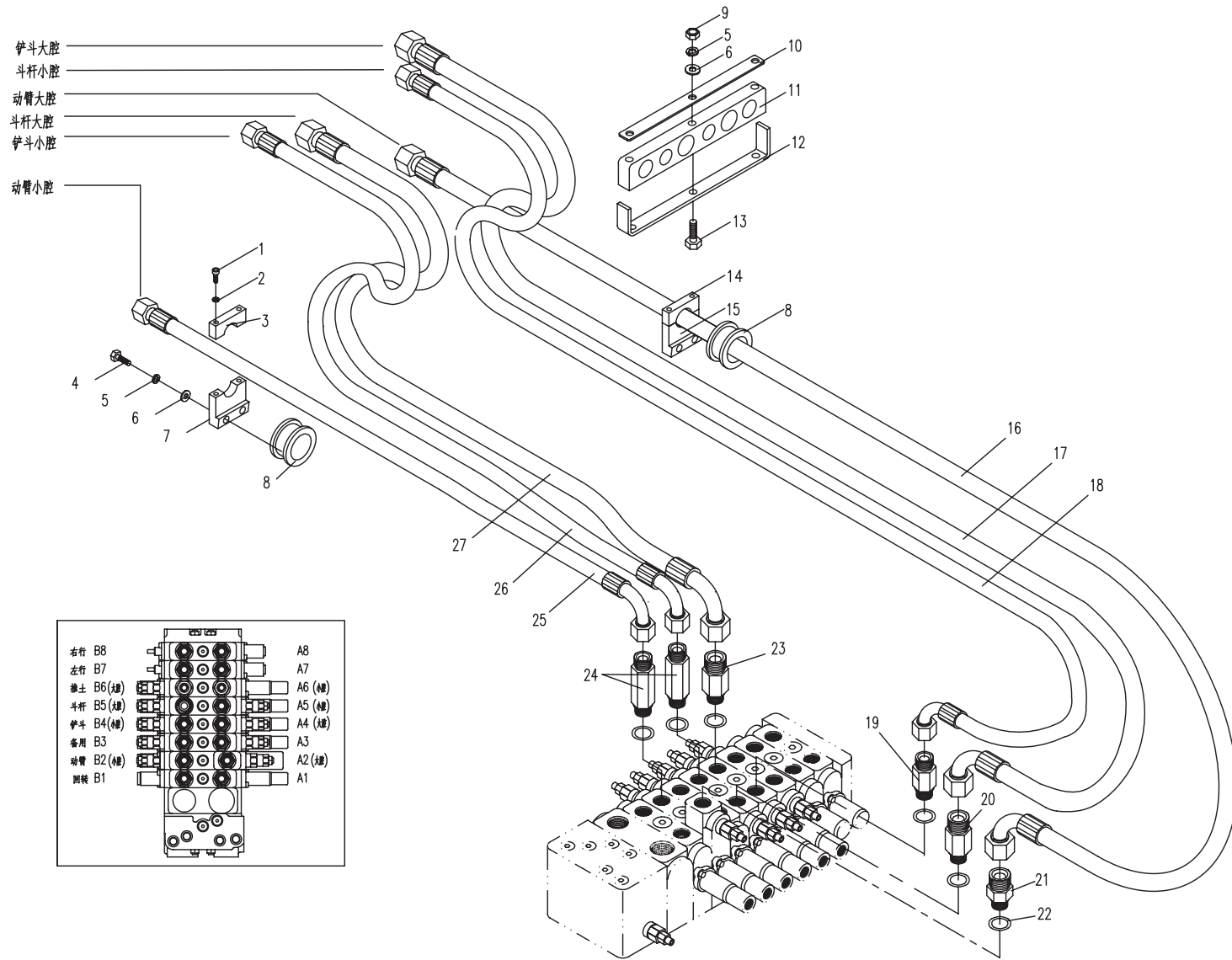


插	B8		A8
芯	B7		A7
套	B6 (雄)		A6 (雌)
插	B5 (雄)		A5 (雌)
套	B4 (雄)		A4 (雌)
插	B3		A3
套	B2 (雄)		A2 (雌)
插	B1		A1

05.4.1 主液压系统-多路阀(适用850H01机型) MAIN HYDRAULIC SYSTEM-MULTIPLE-WAY VALVE(APPLY TO 850H01 TYPE)

序号 No.	数量 Quantity	代号 Code	名称 Description		备注 Remark
1	4	M6×30 GB/T5783	六角头螺栓	Bolt	8.8-达克罗
2	4	6 GB/T93	弹簧垫圈	Washer	
3	1	850-9500009	管夹座	Pipe clamp seat	
4	4	M8×30 GB/T5783	六角头螺栓	Bolt	8.8-达克罗
5	7	8 GB/T93	弹簧垫圈	Washer	
6	7	8 GB/T97.1	平垫圈	Washer	
7	1	850-9500006	管夹座	Pipe clamp seat	
8	2	850-9500004	橡胶套	Rubber sleeve	
9	3	M8 GB/T6170	1型六角螺母	Nut	8-达克罗
10	1	850D-0500001	垫板	Mat plate	
11	1	850-0500015A	管夹	Pipe clamp	
12	1	850-0500016A	管夹座	Pipe clamp seat	
13	3	M8×80 GB/T5782	六角头螺栓	Bolt	8.8-达克罗
14	1	850-9500008	管夹座	Pipe clamp seat	
15	1	850-9500007	管夹座	Pipe clamp seat	
16	1	850-0542000	胶管总成	Rubber hose assembly	
17	1	850-0544000	胶管总成	Rubber hose assembly	
18	1	850-0546000	胶管总成	Rubber hose assembly	
19	1	850-0500003	直接头	Bolt joint	
20	1	860A-0500004	直接头	Bolt joint	
21	1	860A-0500003	直接头	Bolt joint	
22	6	17.8×2.4 NBR-90 ISO	O形橡胶密封圈	O seal ring	
23	1	850-0500014	直接头	Bolt joint	
24	2	850-0500004	直接头	Bolt joint	
25	1	850-0547000	胶管总成	Rubber hose assembly	
26	1	850-0548000	胶管总成	Rubber hose assembly	
27	2	850-0545000	胶管总成	Rubber hose assembly	

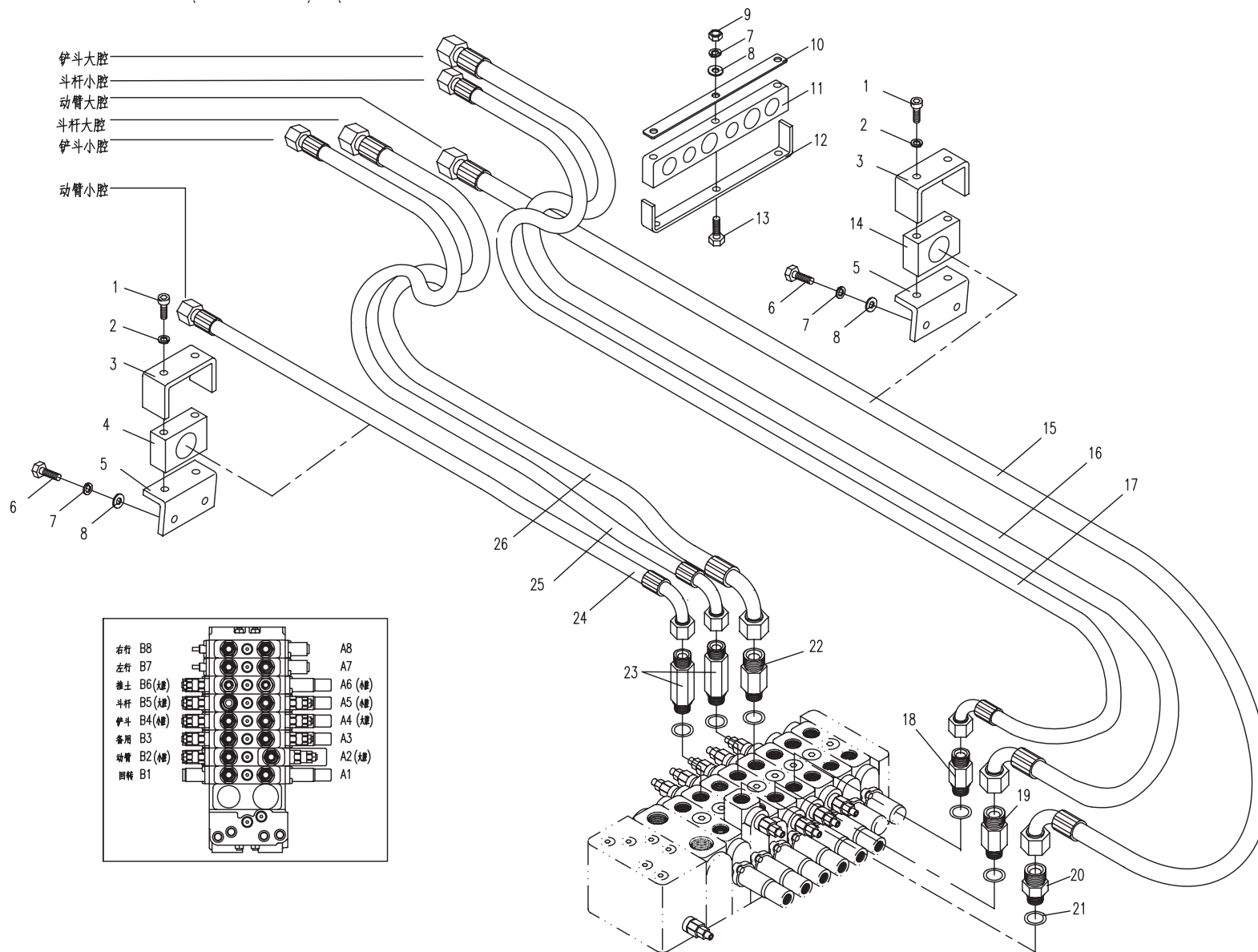
05.4.1 主液压系统-多路阀(适用850H01机型) MAIN HYDRAULIC SYSTEM-MULTIPLE-WAY VALVE(APPLY TO 850H01 TYPE)



05.4.2 主液压系统-多路阀(适用850H02机型) MAIN HYDRAULIC SYSTEM-MULTIPLE-WAY VALVE(APPLY TO 850H02 TYPE)

序号 No.	数量 Quantity	代号 Code	名称 Description		备注 Remark
1	4	M6×50 GB/T5783	六角头螺栓	Bolt	8.8-达克罗
2	4	6 GB/T93	弹簧垫圈	Spring Washer	达克罗
3	2	853D-0500008	管夹	Pipe clamp	
4	1	853D-0500007	橡胶管夹	Rubber pipe clamp	
5	2	853D-0500009	管夹	Pipe clamp	
6	4	M8×20 GB/T5783	六角头螺栓	Bolt	8.8-达克罗
7	4	8 GB/T93	弹簧垫圈	Spring washer	达克罗
8	4	8 GB/T97.1	平垫圈	Washer	达克罗
9	1	M8 GB/T6170	1型六角螺母	Nut	8-达克罗
10	1	850D-0500001	垫板	Mat plate	
11	1	850-0500015A	管夹	Pipe clamp	
12	1	850-0500016A	管夹座	Pipe clamp seat	
13	3	M8×80 GB/T5782	六角头螺栓	Bolt	8.8-达克罗
14	1	853D-0500006	橡胶管夹	Rubber pipe clamp	
15	1	850-0542000	胶管总成	Rubber hose assemgly	
16	1	850-0544000	胶管总成	Rubber hose assemgly	
17	1	850-0546000	胶管总成	Rubber hose assemgly	
18	1	850-0500003	直接头	Bolt joint	
19	1	855-0500014	直接头	Bolt joint	
20	1	860A-0500003	直接头	Bolt joint	
21	6	17.8x2.4 NBR-90 ISO	O形橡胶密封圈	O seal ring	
22	1	850-0500014	直接头	Bolt joint	
23	2	850-0500004	直接头	Bolt joint	
24	1	850-0547000	胶管总成	Rubber hose assemgly	
25	1	850-0548000	胶管总成	Rubber hose assemgly	
26	2	850-0545000	胶管总成	Rubber hose assemgly	

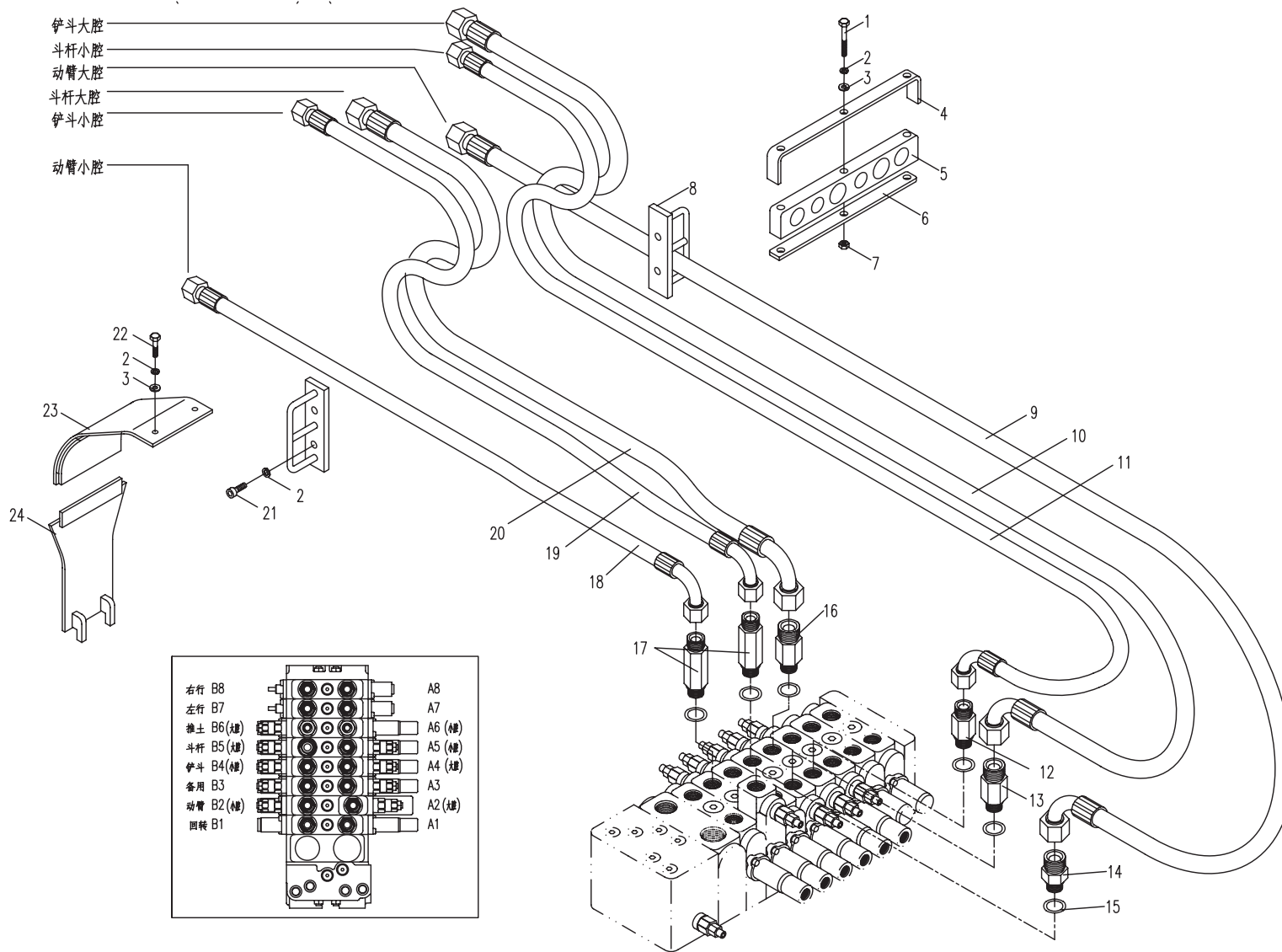
05.4.2 主液压系统-多路阀(适用850H02机型) MAIN HYDRAULIC SYSTEM-MULTIPLE-WAY VALVE(APPLY TO 850H02 TYPE)



05.4.3 主液压系统-多路阀(适用850H03机型) MAIN HYDRAULIC SYSTEM-MULTIPLE-WAY VALVE(APPLY TO 850H03 TYPE)

序号 No.	数量 Quantity	代号 Code	名称 Description		备注 Remark
1	3	M8×65 GB/T5782	六角头螺栓	Bolt	8.8-达克罗
2	9	8 GB/T93	弹簧垫圈	Spring washer	达克罗
3	5	8 GB/T97.1	垫圈	Washer	达克罗
4	1	850-0500016A	管夹座	Pipe clamp seat	
5	1	850-0500015A	管夹	Pipe clamp	
6	1	850D-0500001	垫板	Mat plate	
7	3	M8 GB/T6170	1型六角螺母	Nut	
8	2	850D-0502000	油管支架	Bracket	
9	1	850D-0523000	动臂大腔胶管总成	Rubber hose assembly	
10	1	853-0522000	斗杆小腔胶管总成	Rubber hose assembly	
11	1	850-0546000	铲斗大腔胶管总成	Rubber hose assembly	
12	1	850-0500003	直接头	Bolt joint	
13	1	855-0500014	直接头	Bolt joint	
14	1	860A-0500003	直接头	Bolt joint	
15	6	17.8×2.4 NBR-90 ISO	O形橡胶密封圈	O seal ring	
16	1	850-0500014	直接头	Bolt joint	
17	2	850-0500004	直接头	Bolt joint	
18	1	850-0547000	阀动臂小腔胶管总成	Rubber hose assembly	
19	1	850-0548000	阀铲斗小腔胶管总成	Rubber hose assembly	
20	1	850-0545000	阀斗杆大腔胶管总成	Rubber hose assembly	
21	4	M8×20 GB/T70.1	内六角圆柱头螺钉	Bolt	8.8-达克罗
22	2	M8×20 GB/T5783	六角头螺栓	Bolt	8.8-达克罗
23	1	850D-0504000	盖板二	Cover 2	
24	1	850D-0503000	盖板一	Cover 1	

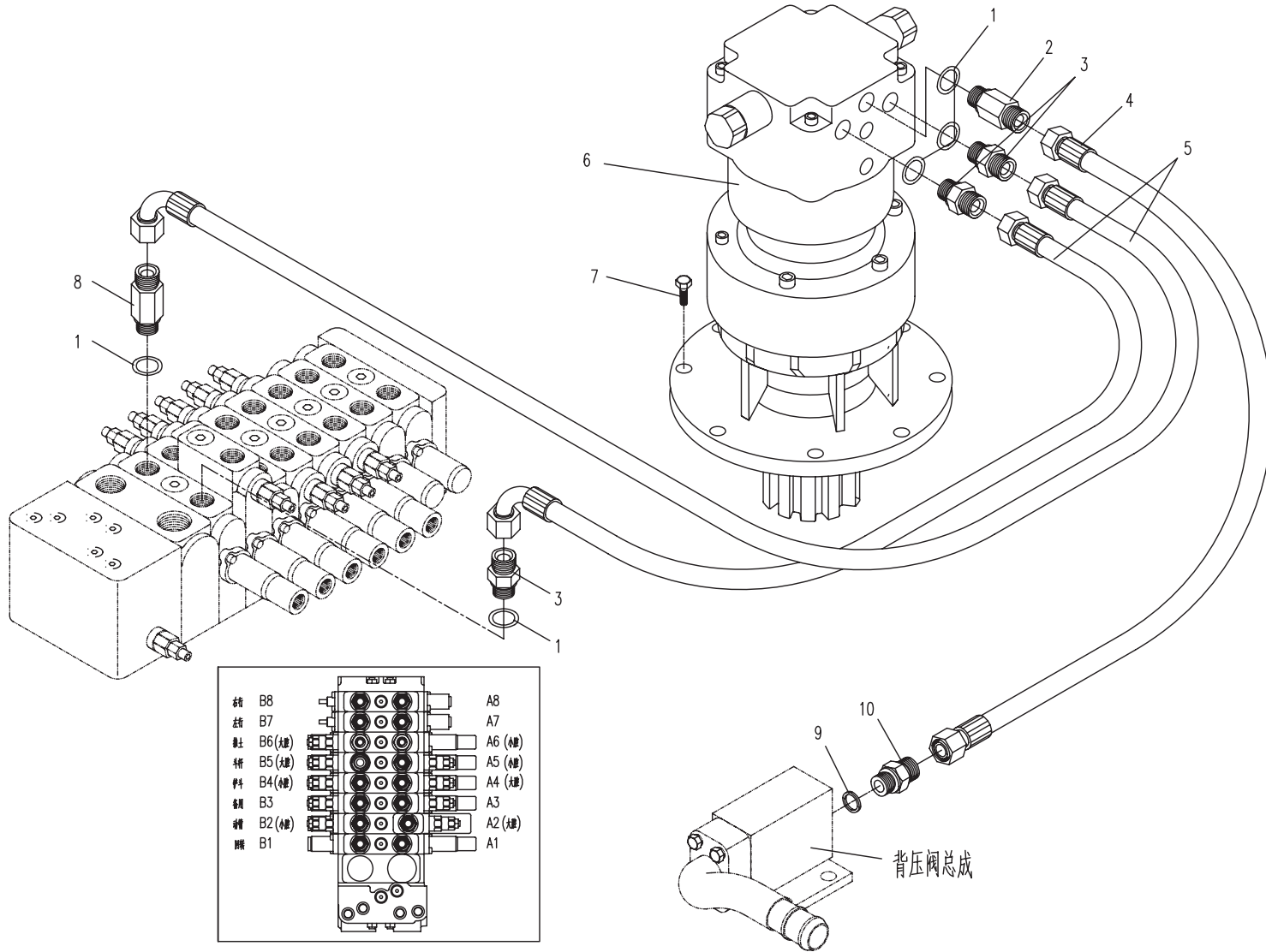
05.4.3 主液压系统-多路阀(适用850H03机型) MAIN HYDRAULIC SYSTEM-MULTIPLE-WAY VALVE(APPLY TO 850H03 TYPE)



05.5.1 主液压系统-回转马达(适用850H01机型) MAIN HYDRAULIC SYSTEM-SLEWING MOTOR (APPLY TO 850H01 TYPE)

序号 No.	数量 Quantity	代号 Code	名称 Description		备注 Remark
1	5	17.8×2.4 NBR-90 ISO	O形橡胶密封圈	O seal ring	
2	1	850-0500003	直接头	Bolt joint	
3	3	850-0500005	直接头	Bolt joint	
4	1	850-0533000	补油胶管总成	Rubber pipe assembly	
5	2	850-0534000	阀回转马达胶管总成	Rubber pipe assembly	
6	1	850-0505000A	回转减速机	Slewing motor	PCL-200-18B-1S2-8410B(NACHI)
7	8	M16×50 GB/T5783	六角头螺栓	Bolt	12.9-达克罗
8	1	850-0500002	直接头	Bolt joint	
9	1	22 BS/A22.7×30×2 ISO	组合密封垫圈	Combinatory washer	
10	1	820-0500009	直接头	Bolt joint	

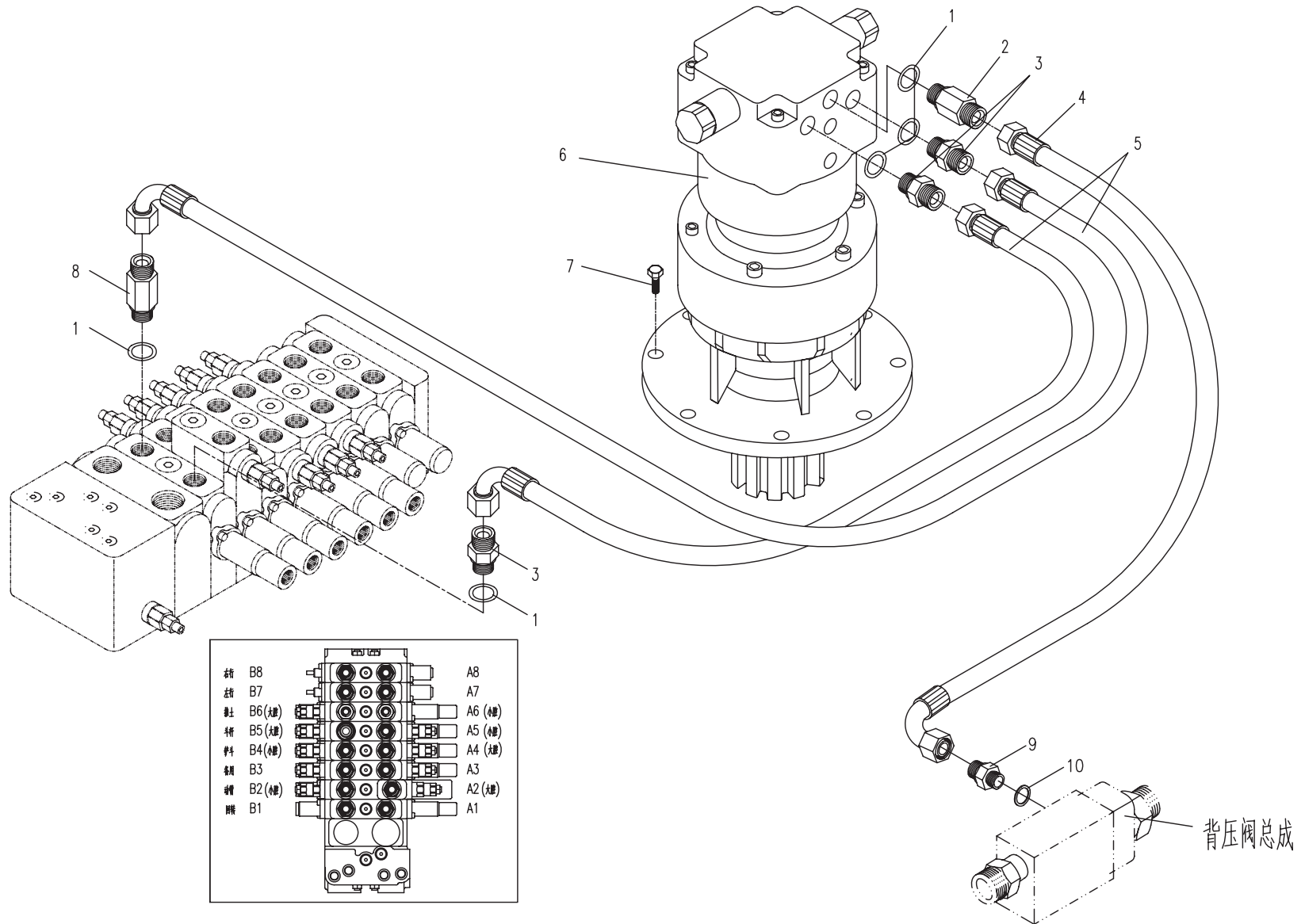
05.5.1 主液压系统-回转马达(适用850H01机型) MAIN HYDRAULIC SYSTEM-SLEWING MOTOR (APPLY TO 850H01 TYPE)



05.5.2 主液压系统-回转马达(适用850H02机型) MAIN HYDRAULIC SYSTEM-SLEWING MOTOR (APPLY TO 850H02 TYPE)

序号 No.	数量 Quantity	代号 Code	名称 Description		备注 Remark
1	5	17.8×2.4 NBR-90 ISO	O形橡胶密封圈	O seal ring	
2	1	850-0500003	直接头	Bolt joint	
3	3	850-0500005	直接头	Bolt joint	
4	1	818B-0502000	补油胶管总成	Rubber pipe assembly	
5	2	850-0534000	阀回转马达胶管总成	Rubber pipe assembly	
6	1	850-0505000A	回转减速机	Slewing motor	PCL-200-18B-1S2-8410B(NACHI)
7	8	M16×50 GB/T5783	六角头螺栓	Bolt	12.9-达克罗
8	1	850-0500002	直接头	Bolt joint	
9	1	22 BS/A22.7×30×2 ISO	组合密封垫圈	Combinatory washer	
10	1	820-0500009	直接头	Bolt joint	

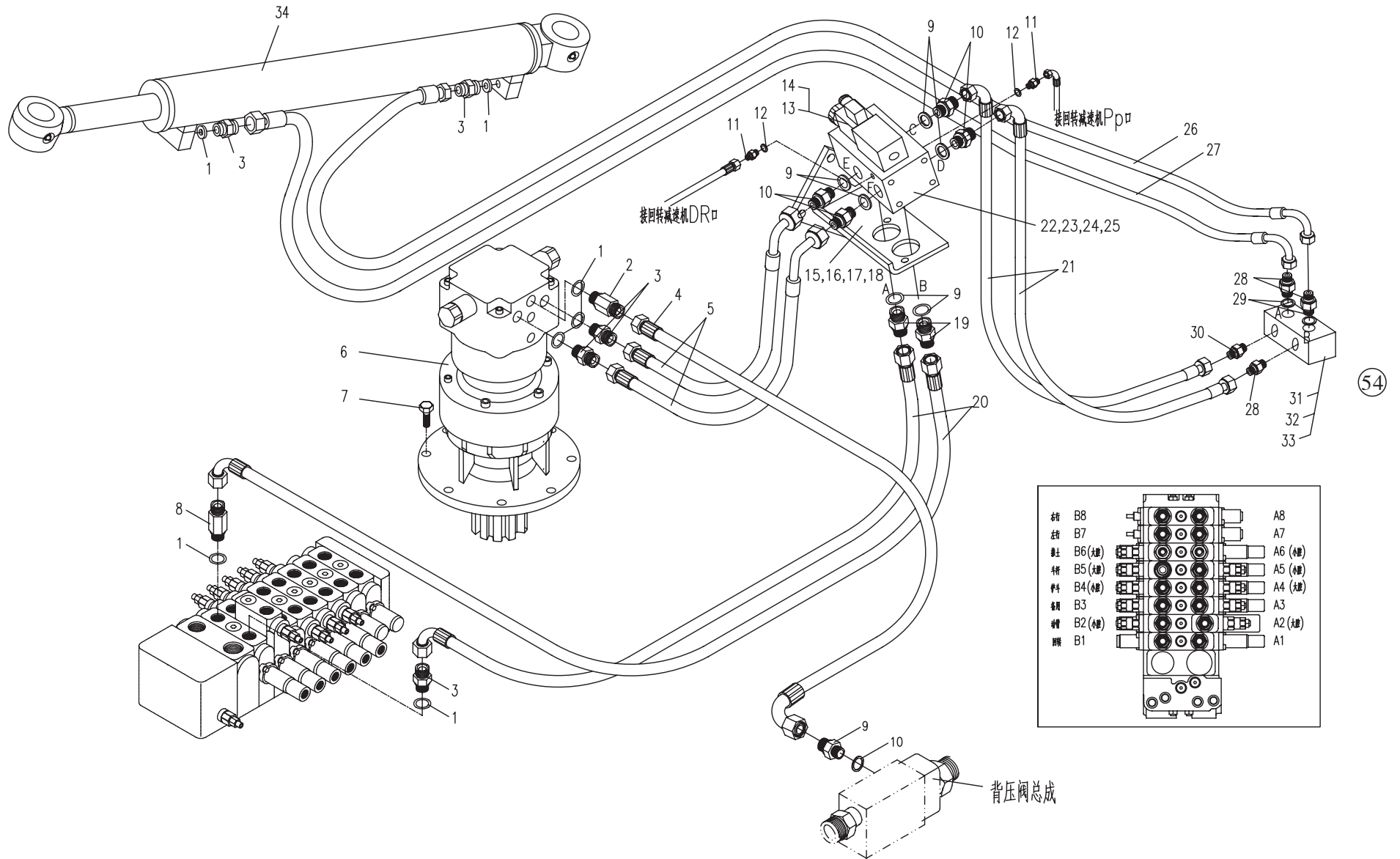
05.5.2 主液压系统-回转马达(适用850H02机型) MAIN HYDRAULIC SYSTEM-SLEWING MOTOR (APPLY TO 850H02 TYPE)



05.5.3 主液压系统-回转马达(适用850H03机型) MAIN HYDRAULIC SYSTEM-SLEWING MOTOR (APPLY TO 850H03 TYPE)

序号 No.	数量 Quantity	代号 Code	名称 Description		备注 Remark
1	7	17.8×2.4 NBR-90 ISO	O形橡胶密封圈	O seal ring	其中3个为NACHI回转减速机专用
2	1	850-0500003	直接头	Bolt joint	NACHI回转减速机专用
3	4	850-0500005	直接头	Bolt joint	
4	1	850-0533000	补油胶管总成	Rubber pipe assembly	
5	2	818B-0502000	胶管总成	Rubber pipe assembly	
6	1	850-0505000A	回转减速机	Slewing motor	PCL-120-18B-1S2 (NACHI)
7	8	M16×50 GB/T5783	六角头螺栓	Bolt	12.9-达克罗
8	1	850-0500004	直接头	Bolt joint	
9	1	22 BS/A22.7×30×2 ISO	组合密封垫圈	Combinatory washer	
10	1	820-0500009	直接头	Bolt joint	
11	2	820-8500004	直接头	Bolt joint	
12	2	14 BS/A14.7x21×1.5 ISO	组合密封垫圈	Combinatory washer	
13	1	T0309-03000	电磁阀	Solenoid Valve	
14	4	M5×50 GB/T70.1	内六角圆柱头螺钉	Bolt	
15	1	850D-0500030	二位六通阀支架	Reversing-valve bracket	
16	4	M10x30 GB/T5783	六角头螺栓	Bolt	8. 8-Zn. D
17	4	10 GB/T93	弹簧垫圈	Spring washer	Zn. D
18	4	10 GB/T97.1	垫圈	Washer	Zn. D
19	2	830-0500007	直接头	Bolt joint	
20	2	850D-0506000	胶管总成	Rubber pipe assembly	
21	2	850D-0507000	胶管总成	Rubber pipe assembly	
22	1	T0308-01000	二位六通阀	Reversing-valve	
23	2	M8×25 GB/T5783	六角头螺栓	Bolt	8. 8-Zn. D
24	2	8 GB/T93	弹簧垫圈	Spring washer	Zn. D
25	2	8 GB/T97.1	垫圈	Washer	Zn. D
26	1	850D-0509000	胶管总成	Rubber pipe assembly	
27	1	850D-0508000	胶管总成	Rubber pipe assembly	
28	3	801-0500046	直接头	Bolt joint	

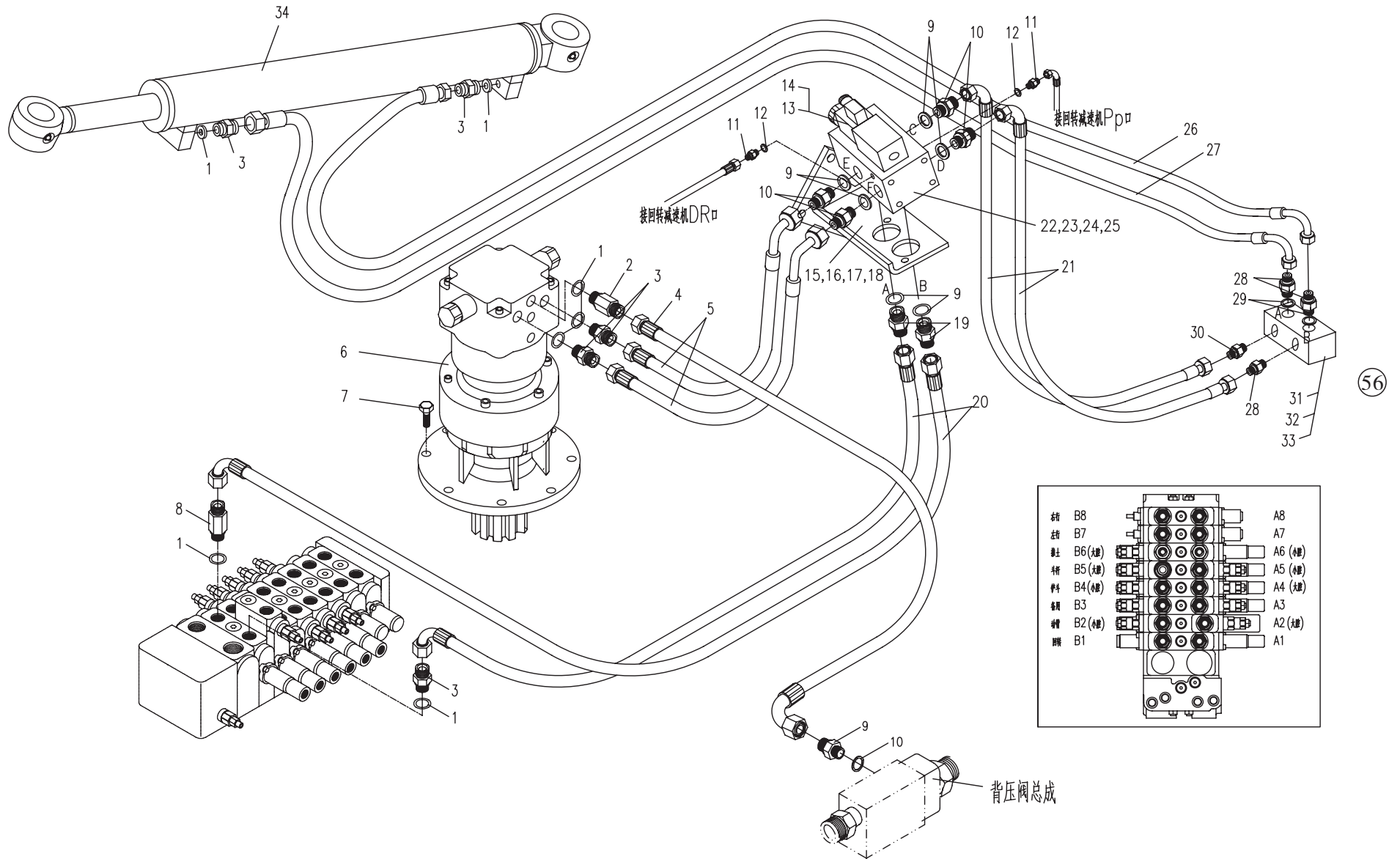
05.5.3 主液压系统-回转马达(适用850H03机型) MAIN HYDRAULIC SYSTEM-SLEWING MOTOR (APPLY TO 850H03 TYPE)



05.5.3 主液压系统-回转马达(适用850H03机型) MAIN HYDRAULIC SYSTEM-SLEWING MOTOR (APPLY TO 850H03 TYPE)

序号 No.	数量 Quantity	代号 Code	名称 Description		备注 Remark
29	4	18 BS/A18.7×27×2 ISO	组合密封垫圈	Combinatory washer	
30	1	818B-0500013	直接头	Bolt joint	
31	1	830-0504000	液压锁BYX-95	Hydraulic lock BYX-95	
32	3	M6×45 GB/T70.1	内六角圆柱头螺钉	Bolt	
33	3	6 GB/T93	弹簧垫圈	Spring washer	
34	1	850A-0515000	偏转缸总成	Boom offset cylinder assembly	

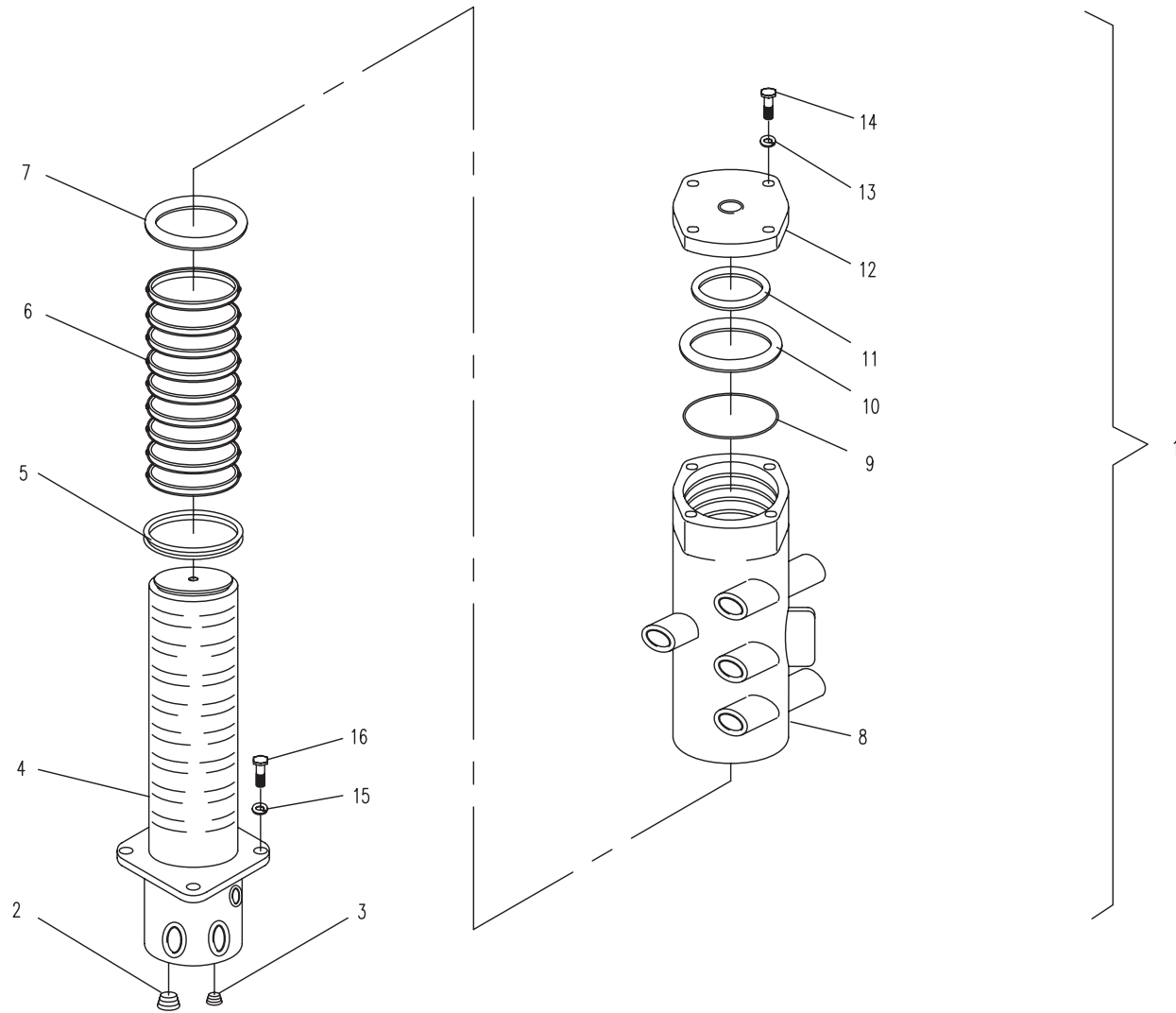
05.5.3 主液压系统-回转马达(适用850H03机型) MAIN HYDRAULIC SYSTEM-SLEWING MOTOR (APPLY TO 850H03 TYPE)



05.6.1 中央回转接头(适用850H01,850H02,850H03机型) CENTRE SLEWING JOINT(APPLY TO 850H01,850H02,850H03 TYPE)

序号 No.	数量 Quantity	代号 Code	名称 Description		备注 Remark
1	1	850-0504000	中央回转接头	Centre slewing joint	
2	4	820-0528001	锥堵 R3/8	Taper plug r3/8	
3	3	820-0528002	锥堵 R1/4	Taper plug r1/4	
4	1	850-0504100	中央回转接头轴	Oil distributing shaft	
5	1	GB/T6578	橡胶防尘圈	Rubber dust-proof ring	
6	9	75×3.55 NBR-90	O型橡胶密封圈	"O" seal ring	
7	9	820-0528004	密封圈滑环	Seal slide ring	
8	1	850-0504001	配油座	Oil distributing seat	
9	1	90 3.1 NBR-90	O型橡胶密封圈	"O" seal ring	
10	1	820-0528006	挡圈	Stop ring	
11	1	50 GB/T 894. 1	轴用弹性挡圈	Stop ring	
12	1	820-0528007	端盖	End cover	
13	4	M8 25 GB/T 5783	六角头螺栓	Bolt	8. 8-Zn. D
14	4	8 GB/T 93	弹簧垫圈	Washer	Zn. D
15	4	M10 25 GB/T 5783	六角头螺栓	Bolt	8. 8-Zn. D
16	4	10 GB/T 93	弹簧垫圈	Washer	Zn. D

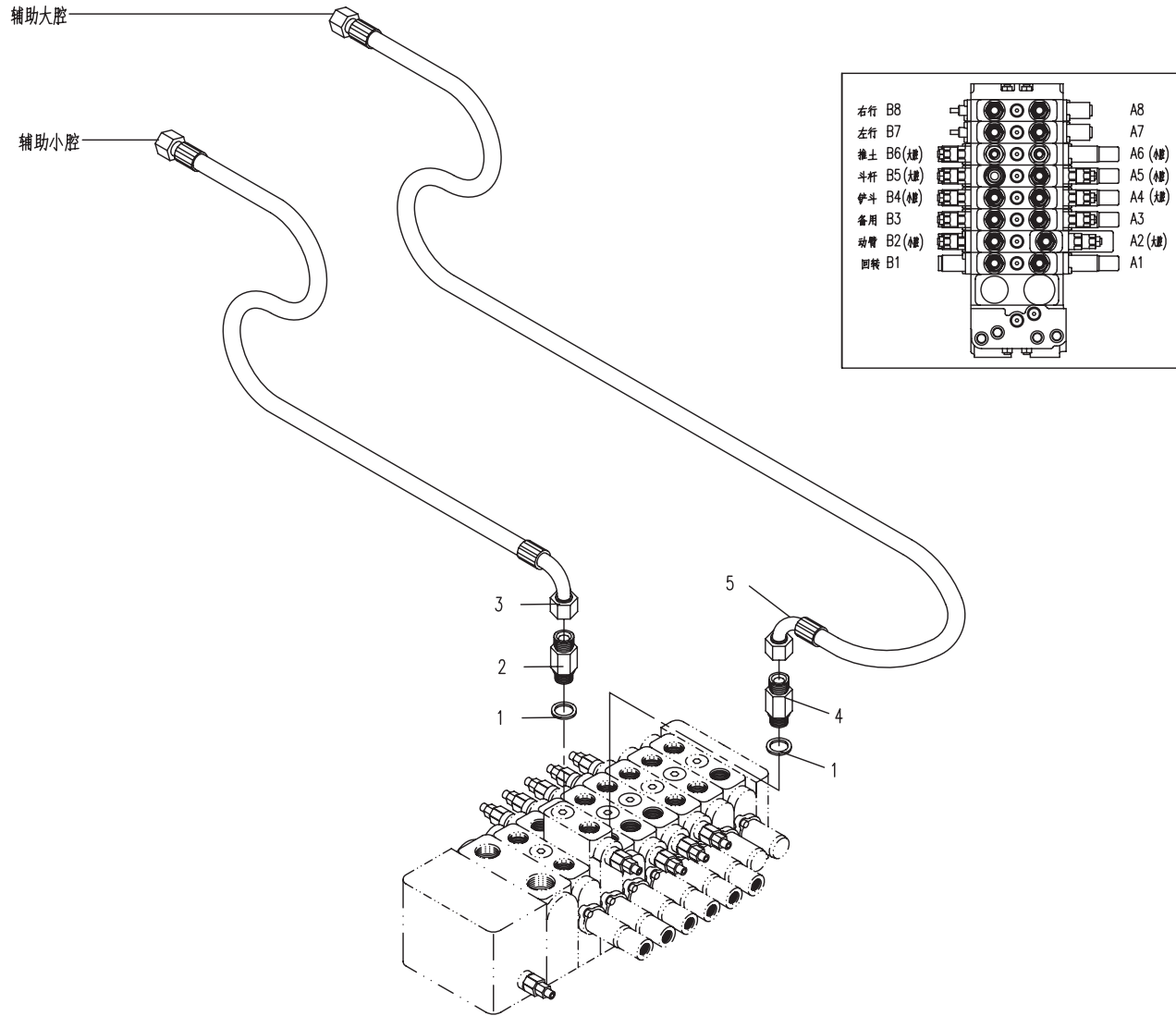
05.6.1 中央回转接头(适用850H01,850H02,850H03机型) CENTRE SLEWING JOINT(APPLY TO 850H01,850H02,850H03 TYPE)



65.1.1 附属装置液压系统1（适用850H03机型）HYDRAULIC SYSTEM FOR ATTACHMENT EQUIPMENT 1(APPLY TO 850H03 TYPE)

序号 No.	数量 Quantity	代号 Code	名称 Description		备注 Remark
1	2	17.8×2.4 NBR-90 ISO	O形橡胶密封圈	O seel ring	
2	1	850-0500021	直接头	Bolt joint	
3	1	850-0549000	辅助小腔胶管总成	Rubber pipe assembly	
4	1	850-0500022	直接头	Bolt joint	
5	1	850-0543000	辅助大腔胶管总成	Rubber pipe assembly	

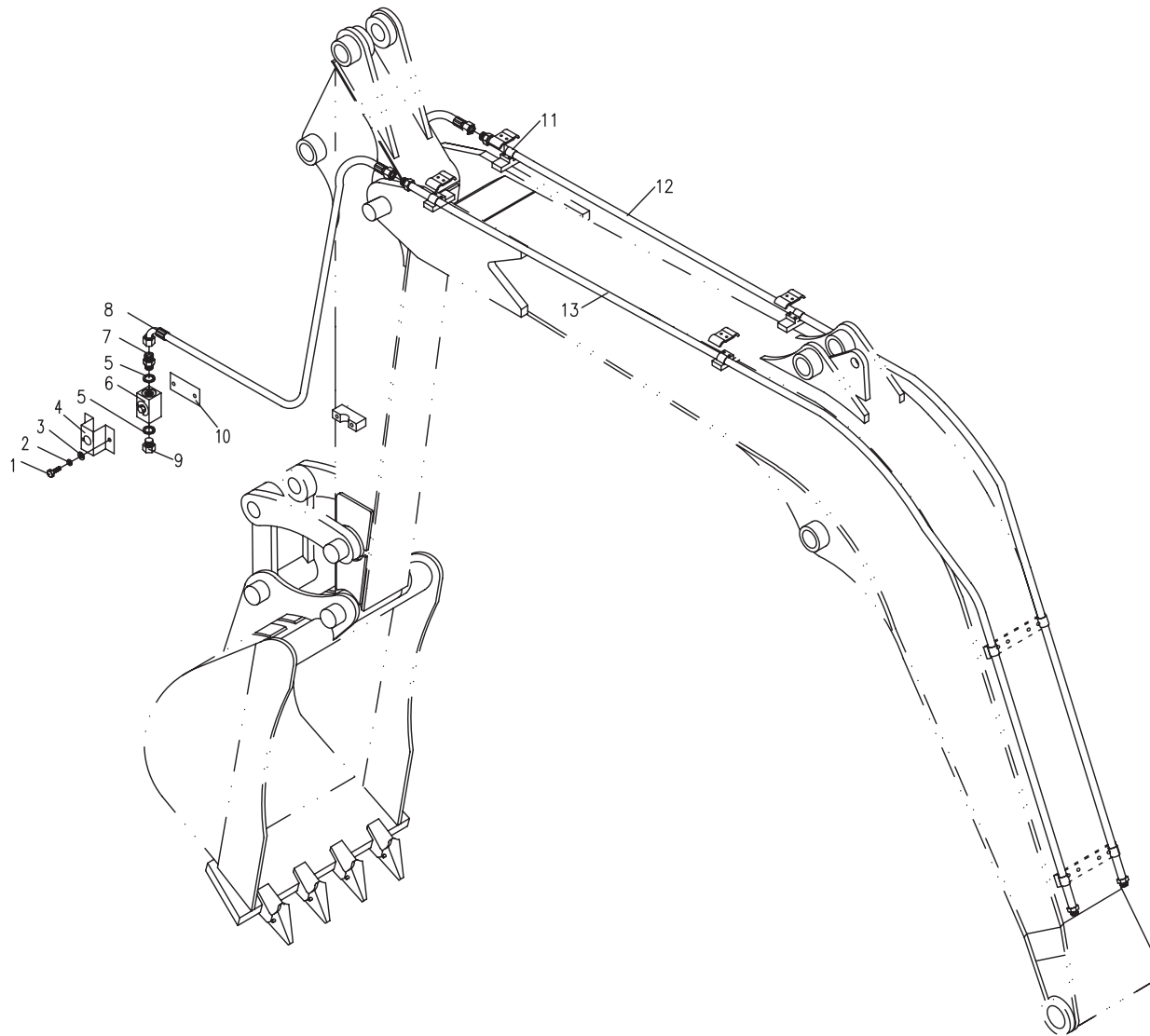
65.1.1 附属装置液压系统1 (适用850H03机型) HYDRAULIC SYSTEM FOR ATTACHMENT EQUIPMENT 1 (APPLY TO 850H03 TYPE)



65.2.1 附属装置液压系统2(适用850H03机型) HYDRAULIC SYSTEM FOR ATTACHMENT EQUIPMENT 2(APPLY TO 850H03 TYPE)

序号 No.	数量 Quantity	代号 Code	名称 Description		备注 Remark
1	4	M12x30 GB/T5783	六角头螺栓	Bolt	8.8-达克罗
2	4	12 GB/T93	弹簧垫圈	Washer	达克罗
3	4	12 GB/T97.1	平垫圈	Washer	达克罗
4	2	860A-9540007	转阀压板	Impaction plate	
5	4	22 BS/A22.7x30x2 ISO	组合密封垫圈	Combinatory washer	
6	2	855-9540100	截止阀	Globe valve	
7	2	855-9540001	直接头	Bolt joint	
8	2	850C-9517000	胶管总成	Rubber pipe assembly	
9	2	855-9540002	堵头	Screw plug	
		850C-9500006	弯接头	Elbow joint	接管时选装
10	2	860A-9540008	橡胶垫	Rubber cushion	
11	6	850C-9500004	橡胶套	Rubber sleeve	
12	1	853A-9502000	右辅助钢管总成	Steel pipe assembly	
13	1	853A-9501000	左辅助钢管总成	Steel pipe assembly	

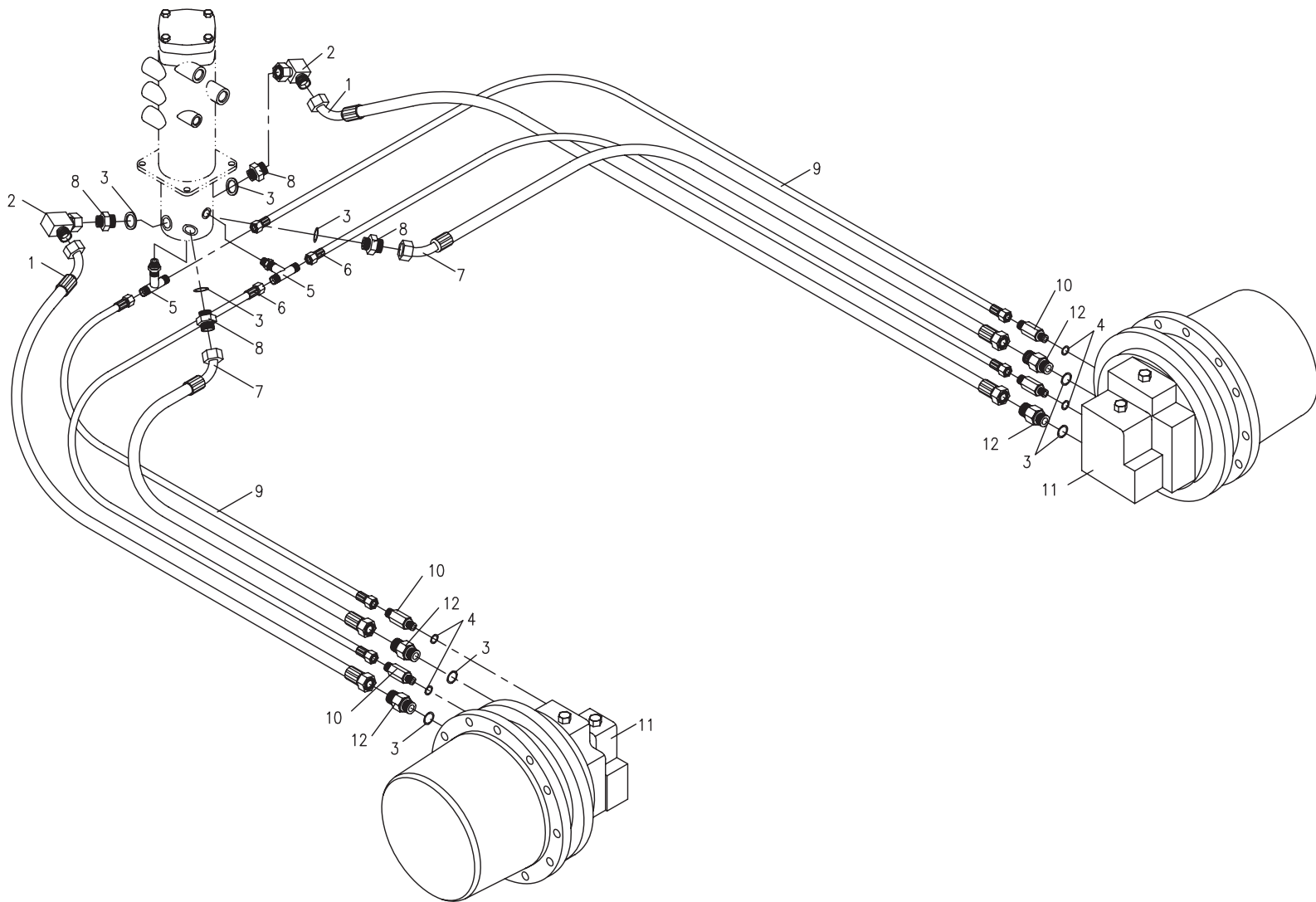
65.2.1 附属装置液压系统2(适用850H03机型) HYDRAULIC SYSTEM FOR ATTACHMENT EQUIPMENT 2(APPLY TO 850H03 TYPE)



75.1.1 底盘部分的液压系统1(适用850H01,850H02,850H03机型) HYDRAULIC SYSTEM FOR CHASSIS 1(APPLY TO 850H01,850H02,850H03 TYPE)

序号 No.	数量 Quantity	代号 Code	名称 Description		备注 Remark
1	2	850-7503000	胶管总成	Rubber hose assemgly	
2	2	830E-0500003	90度弯接头	Joint	
3	8	17.8x2.4 NBR-90 ISO	O形橡胶密封圈	O seal ring	
4	6	10.3x2.4 NBR-90 ISO	O形橡胶密封圈	O seal ring	
5	2	820-7500007	三通接头	Tee bolt joint	
6	2	850-7506000	胶管总成	Rubber hose assemgly	
7	2	850-7504000	胶管总成	Rubber hose assemgly	
8	4	850-7500003	直接头	Bolt joint	
9	2	850-7507000	胶管总成	Rubber hose assemgly	
10	4	850-7500002	直接头	Bolt joint	
11	2	850-7502000	行走马达	Traveling motor	
12	4	850-0500005	直接头	Bolt joint	

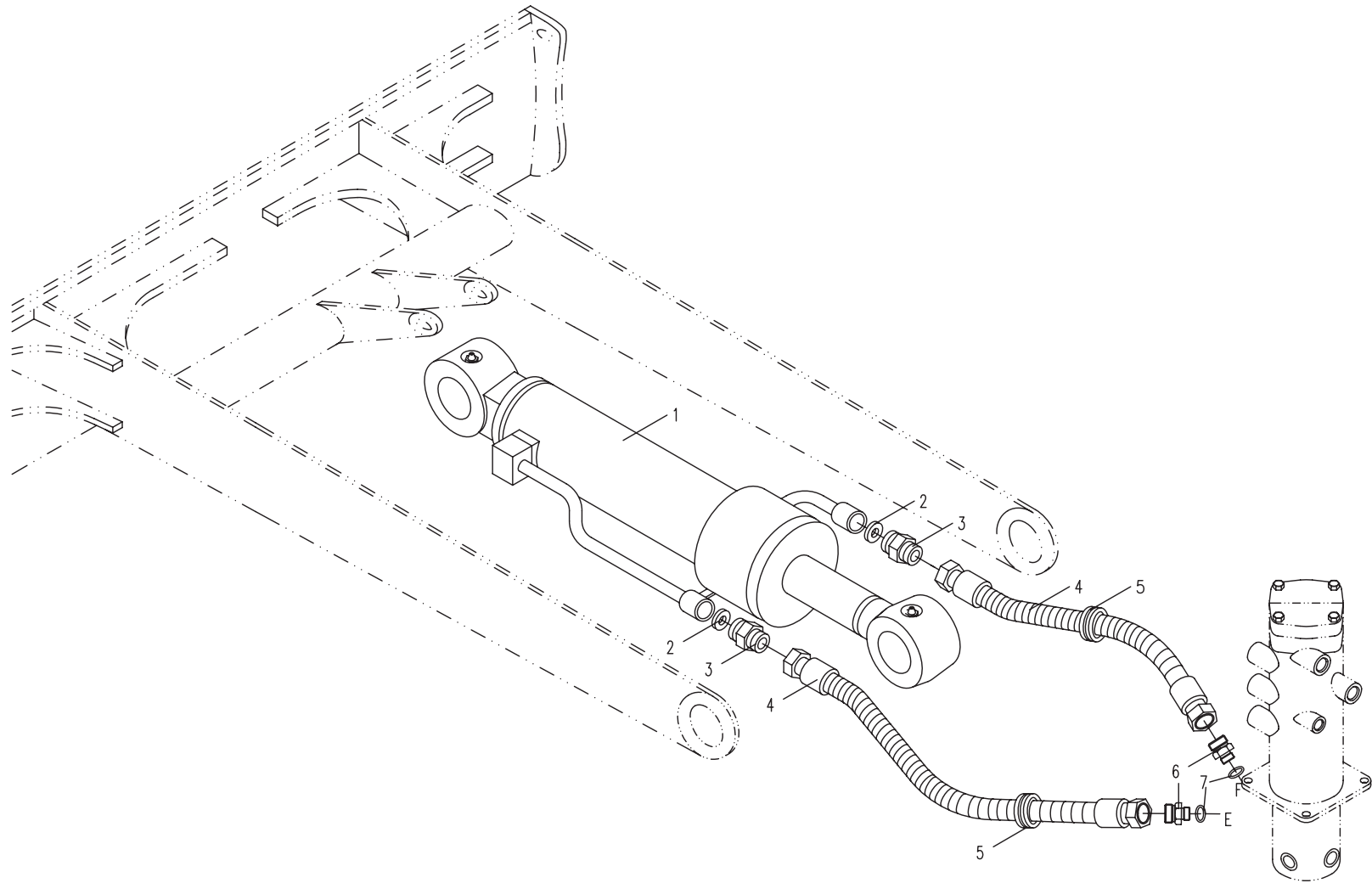
75.1.1 底盘部分的液压系统1(适用850H01,850H02,850H03机型) HYDRAULIC SYSTEM FOR CHASSIS 1(APPLY TO 850H01,850H02,850H03 TYPE)



75.2.1 底盘部分的液压系统2(适用850H01,850H02,850H03机型) HYDRAULIC SYSTEM FOR CHASSIS 2(APPLY TO 850H01,850H02,850H03 TYPE)

序号 No.	数量 Quantity	代号 Code	名称 Description		备注 Remark
1	1	850-7501000	推土油缸总成	Dozer cylinder assembly	
2	2	22 BS/A22.7x30x2 ISO	组合密封垫圈	Combinatory washer	
3	2	820-0500023	直接头	Bolt joint	
4	2	850-7505000	胶管总成	Rubber hose assemgly	
5	2	850-7500001	橡胶套	Rubber sleeve	
6	2	820-0500041	直接头	Bolt joint	
7	2	13.8x2.4 NBR-90 ISO	O形橡胶密封圈	O seal ring	

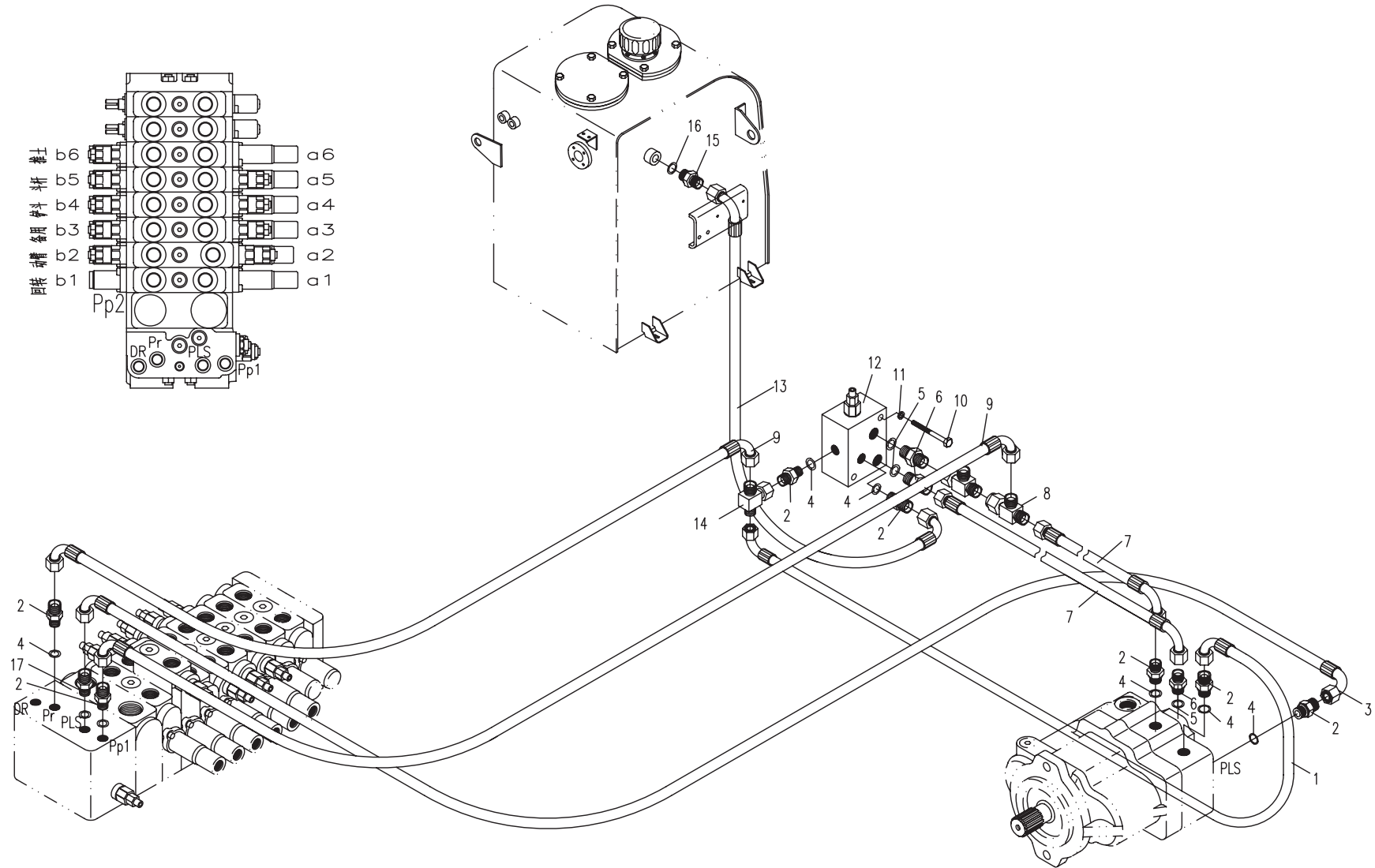
75.2.1 底盘部分的液压系统2(适用850H01,850H02,850H03机型) HYDRAULIC SYSTEM FOR CHASSIS 2 (APPLY TO 850H01,850H02,850H03 TYPE)



85.1.1 先导部分的液压系统 1(适用850H01机型) HYDRAULIC SYSTEM FOR PILOT PART 1(APPLY TO 850H01 TYPE)

序号 No.	数量 Quantity	代号 Code	名称 Description		备注 Remark
1	1	850-8512000	胶管总成	Rubber hose assemgly	
2	9	855-7500002	直接头	Bolt joint	
3	1	850-8531000	胶管总成	Rubber hose assemgly	
4	9	10.8×2.4 NBR-90 ISO	O形橡胶密封圈	O seal ring	
5	3	13.8×2.4 NBR-90 ISO	O形橡胶密封圈	O seal ring	
6	2	820-8500013	直接头	Bolt joint	
7	2	850-8511000	胶管总成	Rubber hose assemgly	
8	2	850-8502000	三通接头	Tee joint	
9	2	850-8513000	胶管总成	Rubber hose assemgly	
10	2	M8 65 GB/T5783	六角头螺栓	Bolt	
11	2	8 GB/T93	弹簧垫圈	Spring washer	
12	1	850-8508000	比较阀	Compare valve	
13	1	850-8517000	胶管总成	Rubber hose assemgly	
14	1	850-8501000	三通接头	Tee joint	
15	1	820-0500003	直接头	Bolt joint	
16	1	18 BS/A18.7×27×2 ISO	组合密封垫圈	Combinatory washer	
17	1	860A-8500003	直接头	Bolt joint	

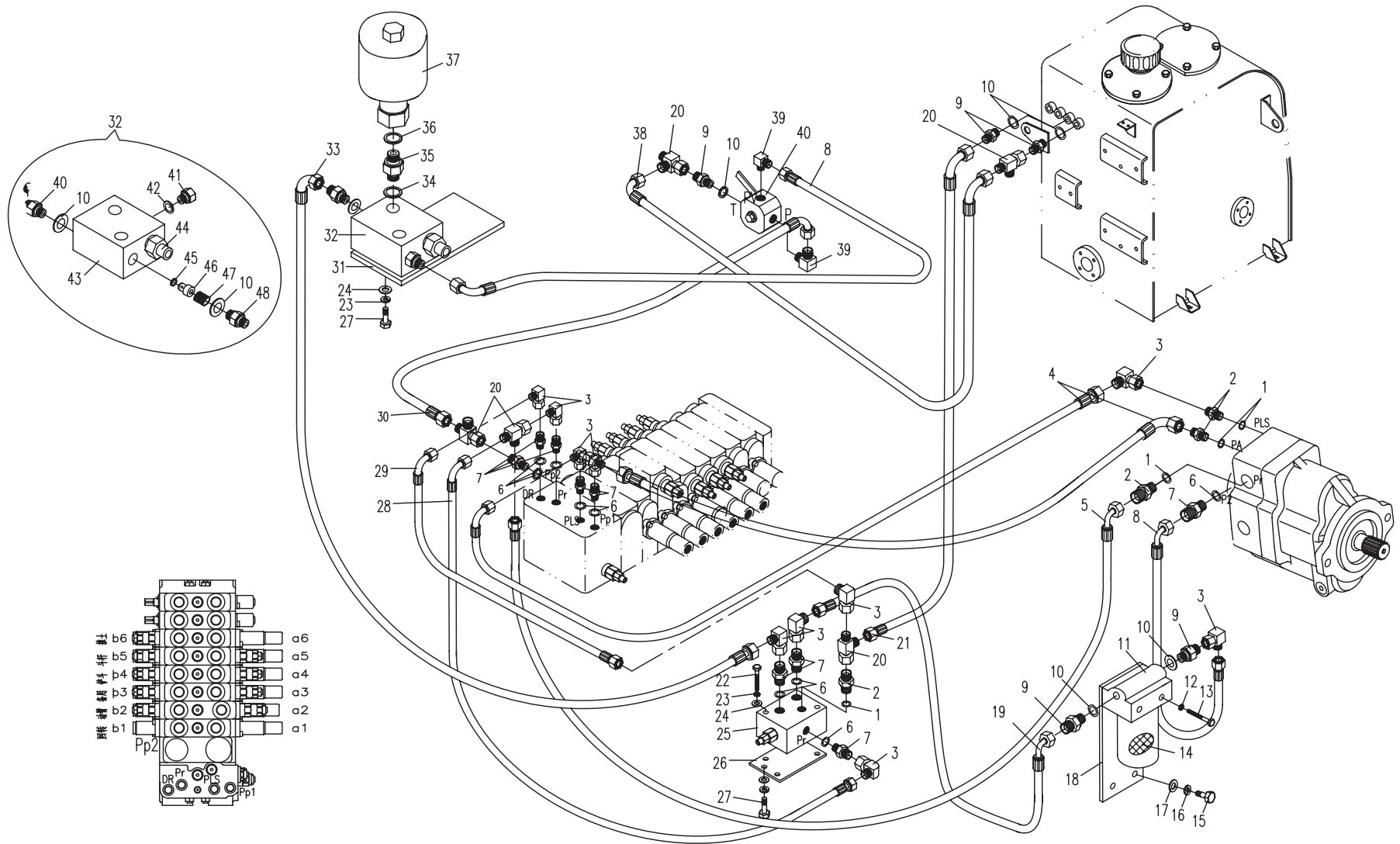
85.1.1 先导部分的液压系统 1(适用850H01机型) HYDRAULIC SYSTEM FOR PILOT PART 1(APPLY TO 850H01 TYPE)



85.1.2 先导部分的液压系统 1(适用850H02,850H03机型) HYDRAULIC SYSTEM FOR PILOT PART 1(APPLY TO 850H02,850H03 TYPE)

序号 No.	数量 Quantity	代号 Code	名称 Description		备注 Remark
1	4	10.8×2.4 NBR-90 ISO	O形橡胶密封圈	O seal ring	
2	4	855-7500002	直接头	Bolt joint	
3	10	810M-0500003	直角接头	Square joint	
4	2	850-8536000	胶管总成	Rubber hose assemgly	
5	1	850-8516000	胶管总成	Rubber hose assemgly	
6	10	13.8×2.4 NBR-90 ISO	O形橡胶密封圈	O seal ring	
7	10	820-8500013	直接头	Bolt joint	
8	2	830-8506000	胶管总成	Rubber hose assemgly	
9	6	801-0500006	直接头	Bolt joint	
10	8	18 BS/A18.7×27×2 ISO	组合密封垫圈	Combinatory washer	
11	1	820-8514000	滤油器	Oil Filter	包括序号14 (Include No.14)
12	2	6 GB/T93	弹簧垫圈	Spring washer	Zn.D
13	2	M6×80 GB/T5782	六角头螺栓	Bolt	8.8-Zn.D
14	1	820-8514200	滤油器滤芯	Core of oil filter	
15	2	M10×35GB/T5782	六角头螺栓	Bolt	8.8-Zn.D
16	2	10 GB/T93	弹簧垫圈	Spring washer	Zn.D
17	2	10 GB/T97.1	平垫圈	Washer	Zn.D
18	1	850H-8500005	先导油滤安装板	Fixing plate	
19	1	830-8506000	胶管总成	Rubber hose assemgly	
20	7	850-8502000	三通接头	Tee joint	
21	1	860A-7508000	胶管总成	Rubber hose assemgly	
22	2	M8×65 GB/T5783	六角头螺栓	Bolt	8.8-Zn.D
23	6	8 GB/T93	弹簧垫圈	Spring washer	Zn.D
24	6	8 GB/T97	平垫圈	Washer	Zn.D
25	1	850-8508000	比较阀	Compare valve	
26	1	850H-8500010	比较阀安装板	Fixing plate	
27	4	M8×20 GB/T5783	六角头螺栓	Bolt	8.8-Zn.D
28	1	850-8519000	胶管总成	Rubber hose assemgly	

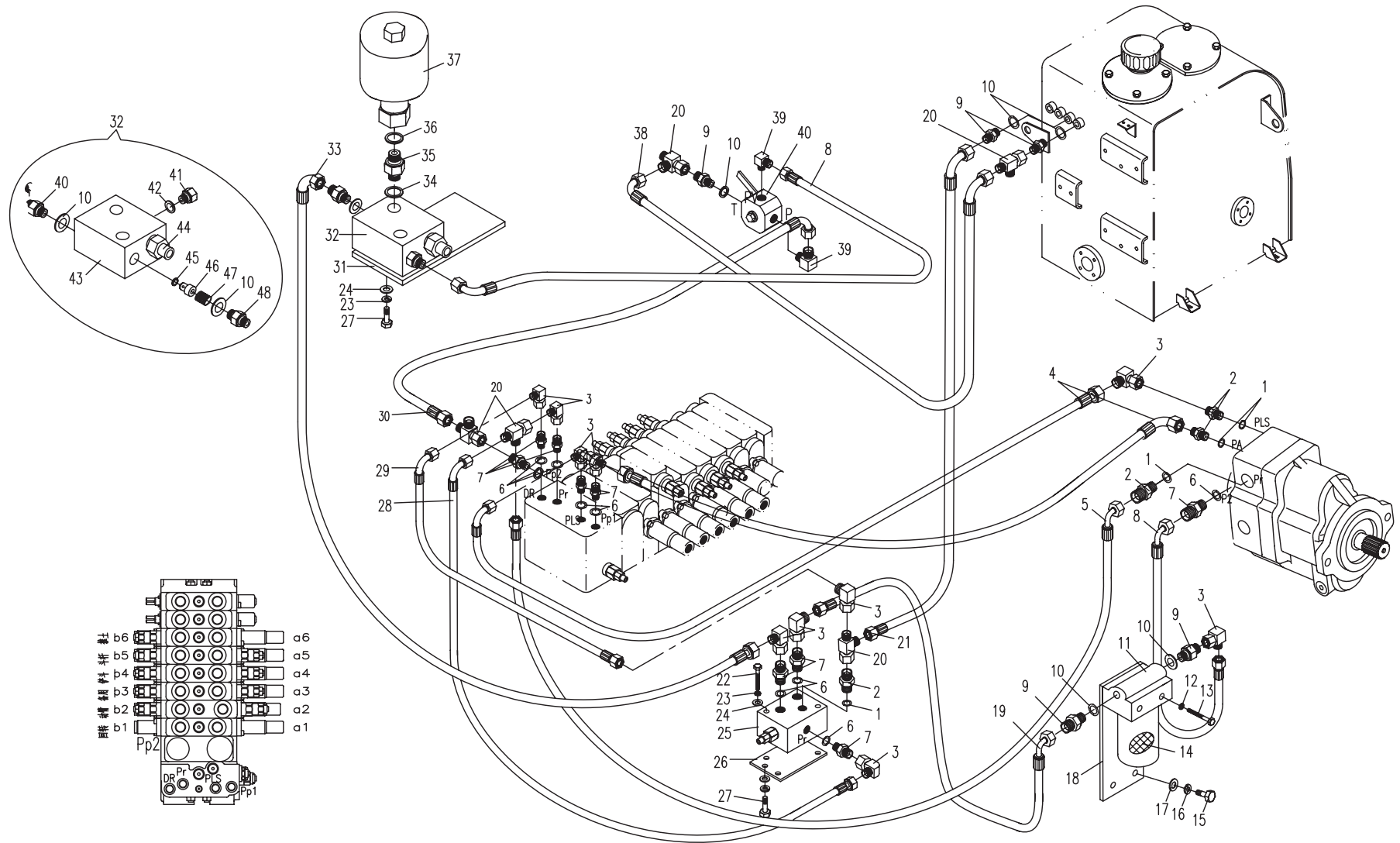
85.1.2 先导部分的液压系统 1(适用850H02,850H03机型) HYDRAULIC SYSTEM FOR PILOT PART 1(APPLY TO 850H02,850H03 TYPE)



85.1.2 先导部分的液压系统 1(适用850H02,850H03机型) HYDRAULIC SYSTEM FOR PILOT PART 1(APPLY TO 850H02,850H03 TYPE)

序号 No.	数量 Quantity	代号 Code	名称 Description		备注 Remark
29	1	850-8532000	胶管总成	Rubber hose assemgly	
30	1	830D-8503000A	胶管总成	Rubber hose assemgly	
31	1	850H-8500006	油源阀安装板	Fixing plate	
32	1	828-8506000	油源阀总成	Valve assembly	
33	1	850-8519000	胶管总成	Rubber hose assemgly	
34	1	14 BS/A14.7x21x1.5 ISO	组合密封垫圈	Combinatory washer	
35	1	830B-8500003	直接头	Bolt joint	
36	1	22 BS/A22.7x30x2 ISO	组合密封垫圈	Combinatory washer	
37	1	820-8544000	蓄能器	Accumulator	
38	1	860A-8506000	胶管总成	Rubber hose assemgly	
39	2	850D-8500002	直角接头	Square joint	
40	1	820-0500003	直接头	Bolt joint	
41	1	820-0500004	螺塞	Plug	
42	1	10 BS/A10.7X16X1.5 ISO	组合密封垫圈	Combinatory washer	
43	1	828-8506001	阀体	Valve body	
44	1	830D-8525100	安全阀阀芯总成	Safety valve core assembly	
45	1	6.5x1.5 NBR-90 ISO	O形橡胶密封圈	O seal ring	
46	1	830B-8504002	阀芯	Valve core	
47	1	830B-8504004	压缩弹簧	Spring	
48	1	830B-8504003	直接头	Bolt joint	

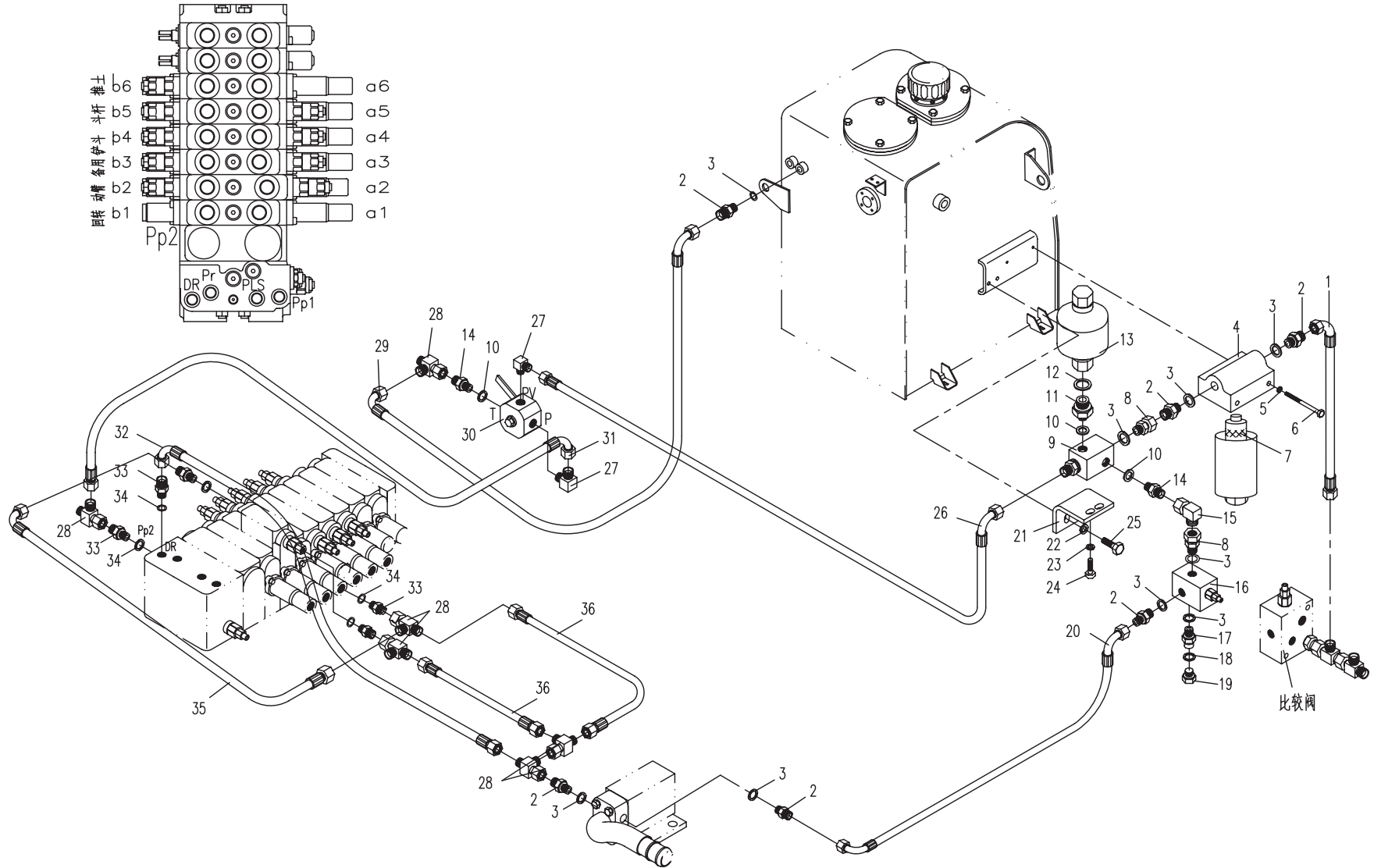
85.1.2 先导部分的液压系统 1(适用850H02,850H03机型) HYDRAULIC SYSTEM FOR PILOT PART 1(APPLY TO 850H02,850H03 TYPE)



85.2.1 先导部分的液压系统2(适用850H01机型) HYDRAULIC SYSTEM FOR PILOT PART 2 (APPLY TO 850H01 TYPE)

序号 No.	数量 Quantity	代号 Code	名称 Description		备注 Remark
1	1	850-8514000	胶管总成	Rubber hose assembly	
2	5	820-0500003	直接头	Bolt joint	
3	8	18 BS/A 18.7×27×2 ISO	组合密封垫圈	Combinatory washer	
4	1	820-8514000	滤油器	Oil Filter	包括序号7 (Include No.7)
5	2	6 GB/T93	弹簧垫圈	Spring washer	
6	2	M6×80 GB/T5782	六角头螺栓	Bolt	
7	1	820-8514200	滤油器滤芯	Core of oil filter	
8	2	830B-8505000	直接头	Bolt joint	
9	1	830B-8504000	单向阀	Unilateralism valve	
10	3	14 BS/A 14.7×21×1.5 ISO	组合密封垫圈	Combinatory washer	
11	1	830B-8500003	直接头	Bolt joint	
12	1	22 BS/A22.7×30×2 ISO	组合密封垫圈	Combinatory washer	
13	1	820-8544000	蓄能器	Accumulator	
14	1	820-8500004	直接头	Bolt joint	
15	1	810M-0500003	直角接头	Square joint	
16	1	830D-8525000	安全阀	Safe valve	
17	1	830B-8500004	直接头	Bolt joint	
18	1	10 BS/A10.7×16×1.5 ISO	组合密封垫圈	Combinatory washer	
19	1	820-0500004	螺塞	Screw plug	
20	1	850-8529000	胶管总成	Rubber hose assembly	
21	1	830B-8500002	支撑弯板	Supporting rack	
22	2	10 GB/T93	弹簧垫圈	Spring washer	
23	2	8 GB/T93	弹簧垫圈	Spring washer	
24	2	M8×20 GB/T5783	六角头螺栓	Bolt	
25	2	M10×20 GB/T5783	六角头螺栓	Bolt	
26	1	860-8523000	胶管总成	Rubber hose assembly	
27	2	850D-8500002	直角接头	Square joint	
28	2	850-8502000	三通接头	Tee joint	

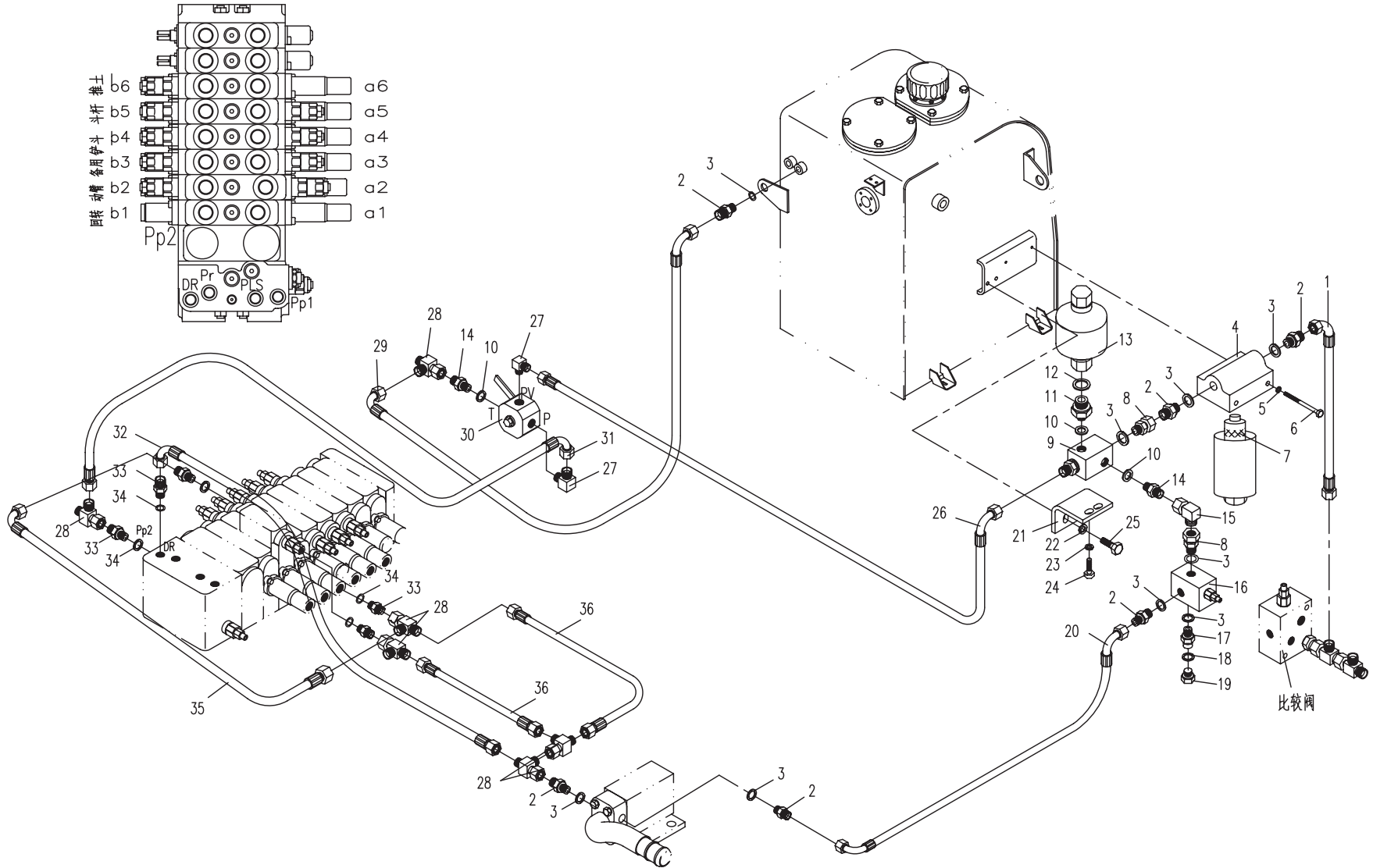
85.2.1 先导部分的液压系统2(适用850H01机型) HYDRAULIC SYSTEM FOR PILOT PART 2 (APPLY TO 850H01 TYPE)



85.2.1 先导部分的液压系统2(适用850H01机型) HYDRAULIC SYSTEM FOR PILOT PART 2 (APPLY TO 850H01 TYPE)

序号 No.	数量 Quantity	代号 Code	名称 Description		备注 Remark
29	1	855-8503000	胶管总成	Rubber hose assemgly	
30	1	830-8505000	转阀	Turning valve	
31	1	830D-8503000A	胶管总成	Rubber hose assemgly	
32	1	850-8533000	胶管总成	Rubber hose assemgly	
33	2	855-7500002	直接头	Bolt joint	
34	2	10.8×2.4 NBR-90 ISO	O形橡胶密封圈	O seal ring	
35	1	830-8506000	胶管总成	Rubber hose assemgly	
36	2	850-8518000	胶管总成	Rubber hose assemgly	

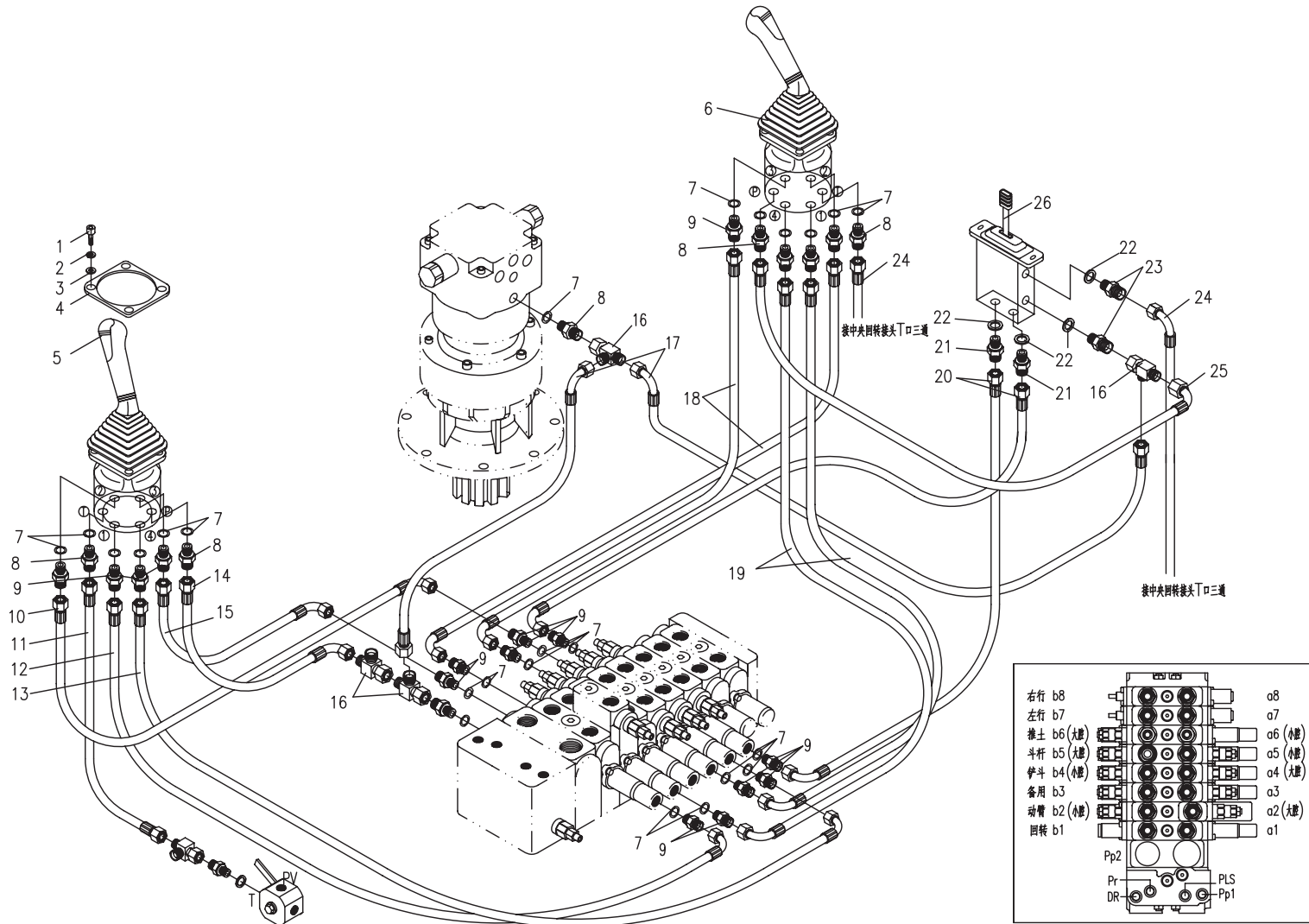
85.2.1 先导部分的液压系统2(适用850H01机型) HYDRAULIC SYSTEM FOR PILOT PART 2 (APPLY TO 850H01 TYPE)



85.3.1 先导部分的液压系统3(适用850H01机型) HYDRAULIC SYSTEM FOR PILOT PART 3 (APPLY TO 850H01 TYPE)

序号 No.	数量 Quantity	代号 Code	名称 Description		备注 Remark
1	8	M6×20 GB/T5783	六角头螺栓	Bolt	
2	8	6 GB/T93	弹簧垫圈	Spring washer	
3	8	6 GB/T97.1	平垫圈	Washer	
4	8	860-0600004	垫板	Mat	
5	1	860A-8539000	左先导阀	Left pilot valve	
6	1	860A-8538000	右先导阀	Right pilot valve	
7	22	10.8×2.4 NBR-90 ISO	O形橡胶密封圈	O seal ring	
8	4	855-7500002	直接头	Bolt joint	
9	18	860A-8500003	直接头	Bolt joint	
10	1	850-8541000	胶管总成	Rubber hose assemgly	
11	1	830D-8506000B	胶管总成	Rubber hose assemgly	
12	1	850-8536000	胶管总成	Rubber hose assemgly	
13	1	850-8534000	胶管总成	Rubber hose assemgly	
14	1	850-8539000	胶管总成	Rubber hose assemgly	
15	1	855-8517000	胶管总成	Rubber hose assemgly	
16	5	850-8502000	三通接头	Tee joint	
17	2	850-8516000	胶管总成	Rubber hose assemgly	
18	2	850-8534000	胶管总成	Rubber hose assemgly	
19	2	850-8535000	胶管总成	Rubber hose assemgly	
20	2	850-8521000	胶管总成	Rubber hose assemgly	
21	2	820-8500003	直接头	Bolt joint	
22	5	14 BS/A 14.7×21×1.5 ISO	组合密封垫圈	Combinatroy washer	
23	3	820-8500004	直接头	Bolt joint	
24	2	850-8523000	胶管总成	Rubber hose assemgly	
25	1	850-8519000	胶管总成	Rubber hose assemgly	
26	1	T0301-11000	推土先导阀总成	Dozer pilot valve	

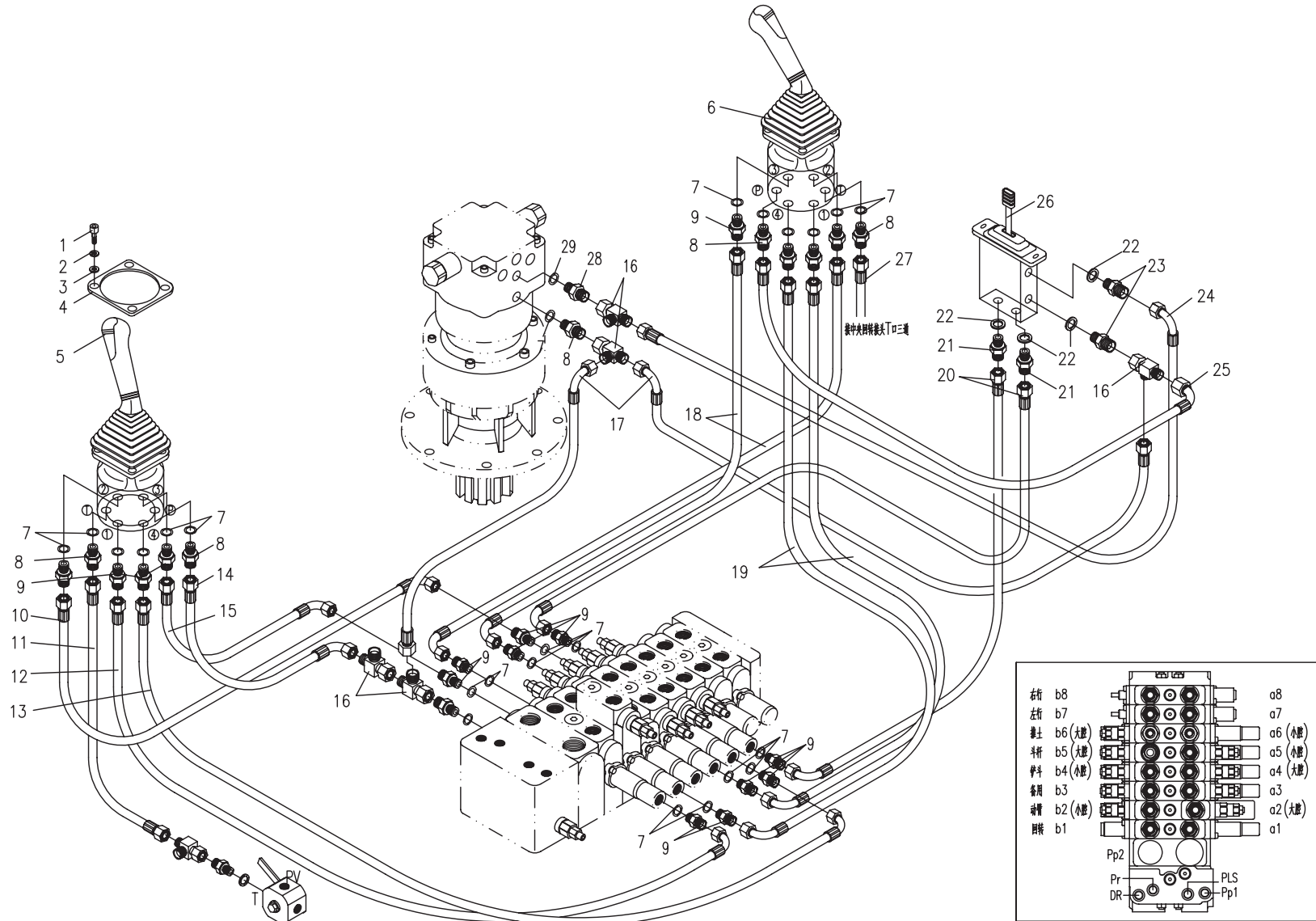
85.3.1 先导部分的液压系统3(适用850H01机型) HYDRAULIC SYSTEM FOR PILOT PART 3 (APPLY TO 850H01 TYPE)



85.3.2 先导部分的液压系统3(适用850H02机型) HYDRAULIC SYSTEM FOR PILOT PART 3 (APPLY TO 850H02 TYPE)

序号 No.	数量 Quantity	代号 Code	名称 Description		备注 Remark
1	8	M6×20 GB/T5783	六角头螺栓	Bolt	
2	8	6 GB/T93	弹簧垫圈	Spring washer	
3	8	6 GB/T97.1	平垫圈	Washer	
4	8	860-0600004	垫板	Mat	
5	1	860A-8539000	左先导阀	Left pilot valve	
6	1	860A-8538000	右先导阀	Right pilot valve	
7	22	10.8×2.4 NBR-90 ISO	O形橡胶密封圈	O seal ring	
8	4	855-7500002	直接头	Bolt joint	
9	18	860A-8500003	直接头	Bolt joint	
10	2	850-8541000	胶管总成	Rubber hose assemgly	
11	1	850-8514000	胶管总成	Rubber hose assemgly	
12	2	850-8536000	胶管总成	Rubber hose assemgly	
13	1	850-8534000	胶管总成	Rubber hose assemgly	
14	1	830D-8503000A	胶管总成	Rubber hose assemgly	
15	1	855-8517000	胶管总成	Rubber hose assemgly	
16	5	850-8502000	三通接头	Tee joint	
17	2	850-8516000	胶管总成	Rubber hose assemgly	
18	2	850-8534000	胶管总成	Rubber hose assemgly	
19	2	850-8535000	胶管总成	Rubber hose assemgly	
20	2	850-8521000	胶管总成	Rubber hose assemgly	
21	2	820-8500003	直接头	Bolt joint	
22	5	14 BS/A 14.7×21×1.5 ISO	组合密封垫圈	Combinatory washer	
23	3	820-8500004	直接头	Bolt joint	
24	1	850-8539000	胶管总成	Rubber hose assemgly	
25	1	850-8519000	胶管总成	Rubber hose assemgly	
26	1	T0301-11000	推土先导阀总成	Dozer pilot valve	
27	1	850-8523000	胶管总成	Rubber hose assemgly	
28	1	820-8500013	直接头	Bolt joint	
29	1	13.8×2.4 NBR-90 ISO	O形橡胶密封圈	O seal ring	

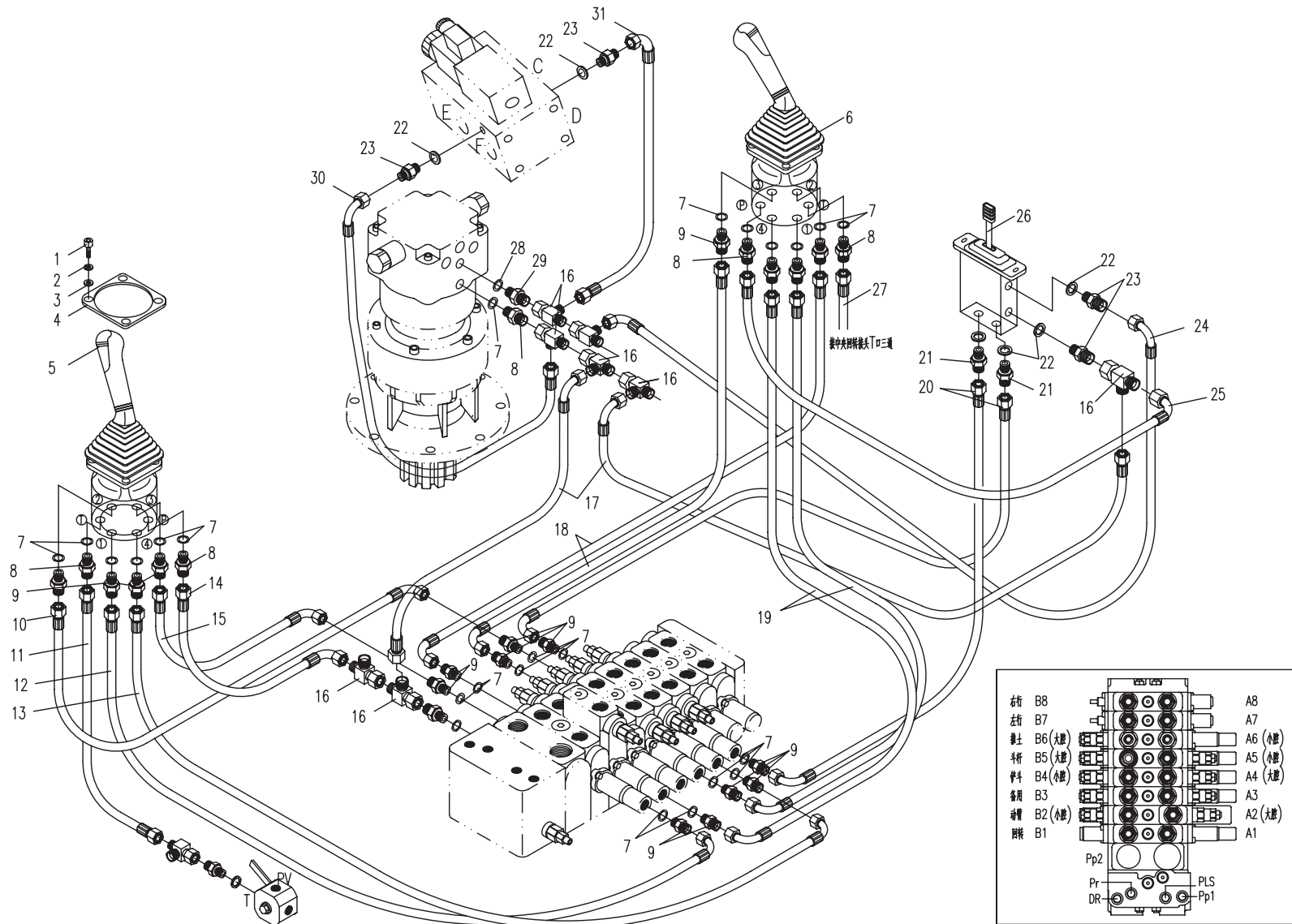
85.3.2 先导部分的液压系统3(适用850H02机型) HYDRAULIC SYSTEM FOR PILOT PART 3 (APPLY TO 850H02 TYPE)



85.3.3 先导部分的液压系统3(适用850H03机型) HYDRAULIC SYSTEM FOR PILOT PART 3 (APPLY TO 850H03 TYPE)

序号 No.	数量 Quantity	代号 Code	名称 Description		备注 Remark
1	8	M6×20 GB/T5783	六角头螺栓	Bolt	
2	8	6 GB/T93	弹簧垫圈	Spring washer	
3	8	6 GB/T97.1	平垫圈	Washer	
4	8	860-0600004	垫板	Mat	
5	1	T0301-01000	左先导阀	Left pilot valve	
6	1	T0301-02000	右先导阀	Right pilot valve	
7	23	10.8×2.4 NBR-90 ISO	O形橡胶密封圈	O seal ring	
8	4	855-7500002	直接头	Bolt joint	
9	18	860A-8500003	直接头	Bolt joint	
10	1	850-8541000	胶管总成	Rubber hose assemgly	
11	1	850-8514000	胶管总成	Rubber hose assemgly	
12	1	850-8536000	胶管总成	Rubber hose assemgly	
13	1	850-8534000	胶管总成	Rubber hose assemgly	
14	1	830D-8503000A	胶管总成	Rubber hose assemgly	
15	1	855-8517000	胶管总成	Rubber hose assemgly	
16	7	850-8502000	三通接头	Tee joint	
17	1	850-8516000	胶管总成	Rubber hose assemgly	
18	2	850-8534000	胶管总成	Rubber hose assemgly	
19	2	850-8535000	胶管总成	Rubber hose assemgly	
20	2	850-8521000	胶管总成	Rubber hose assemgly	
21	2	820-8500003	直接头	Bolt joint	
22	6	14 BS/A 14.7x21x1.5 ISO	组合密封垫圈	Combinatory washer	
23	4	820-8500004	直接头	Bolt joint	
24	1	850-8539000	胶管总成	Rubber hose assemgly	
25	2	850-8519000	胶管总成	Rubber hose assemgly	
26	1	T0301-11000	推土先导阀总成	Dozer pilot valve	
27	1	850-8523000	胶管总成	Rubber hose assemgly	
28	1	13.8×2.4 NBR-90 ISO	O形橡胶密封圈	O seal ring	
29	1	820-8500013	直接头	Bolt joint	
30	2	850-8523000	胶管总成	Rubber hose assemgly	

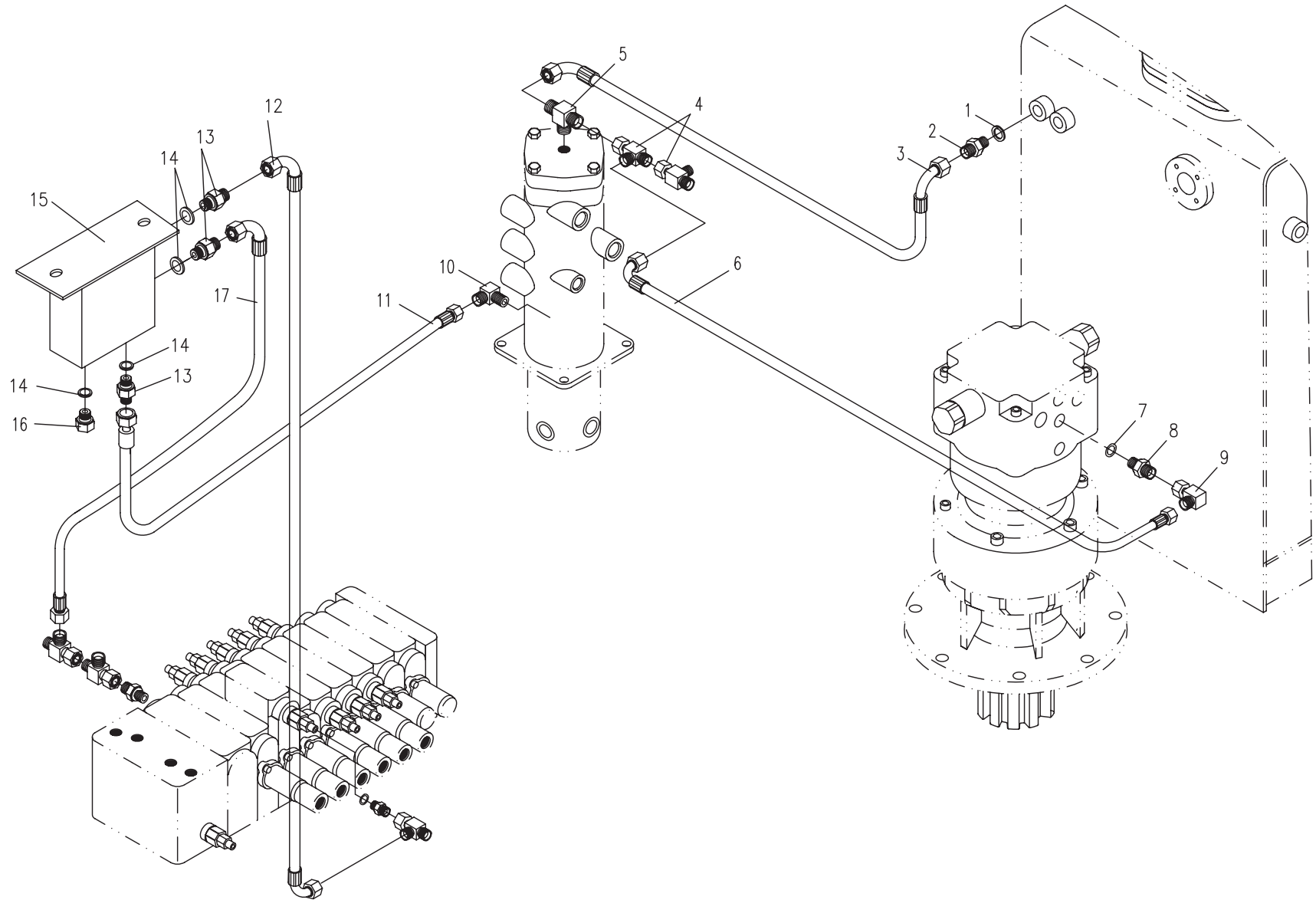
85.3.3 先导部分的液压系统3(适用850H03机型) HYDRAULIC SYSTEM FOR PILOT PART 3 (APPLY TO 850H03 TYPE)



85.4.1 先导部分的液压系统4(适用850H01机型) HYDRAULIC SYSTEM FOR PILOT PART 4 (APPLY TO 850H01 TYPE)

序号 No.	数量 Quantity	代号 Code	名称 Description		备注 Remark
1	1	18 BS/A 18.7×27×2 ISO	组合密封垫圈	Combinatory washer	
2	1	820-0500003	直接头	Bolt joint	
3	1	850-8526000	胶管总成	Rubber hose assemgly	
4	2	850-8502000	三通接头	Tee joint	
5	1	820-7500007	三通接头	Tee joint	
6	1	850-8511000	胶管总成	Rubber hose assemgly	
7	1	13.8×2.4 NBR-90 ISO	O形橡胶密封圈	O seal ring	
8	1	820-8500013	直接头	Bolt joint	
9	1	810M-0500003	直角接头	Square joint	
10	1	850C-8500001	直角接头	Square joint	
11	1	830D-8503000A	胶管总成	Rubber hose assemgly	
12	1	855-8536000	胶管总成	Rubber hose assemgly	
13	3	820-8500004	直接头	Bolt joint	
14	4	14 BS/A 14.7X21X1.5 ISO	组合密封垫圈	Combinatory washer	
15	1	T0301-12000	踏板先导阀	Footplate pilot valve	
16	1	830-8500001	堵头	Screw plug	
17	1	850-8533000	胶管总成	Rubber hose assemgly	

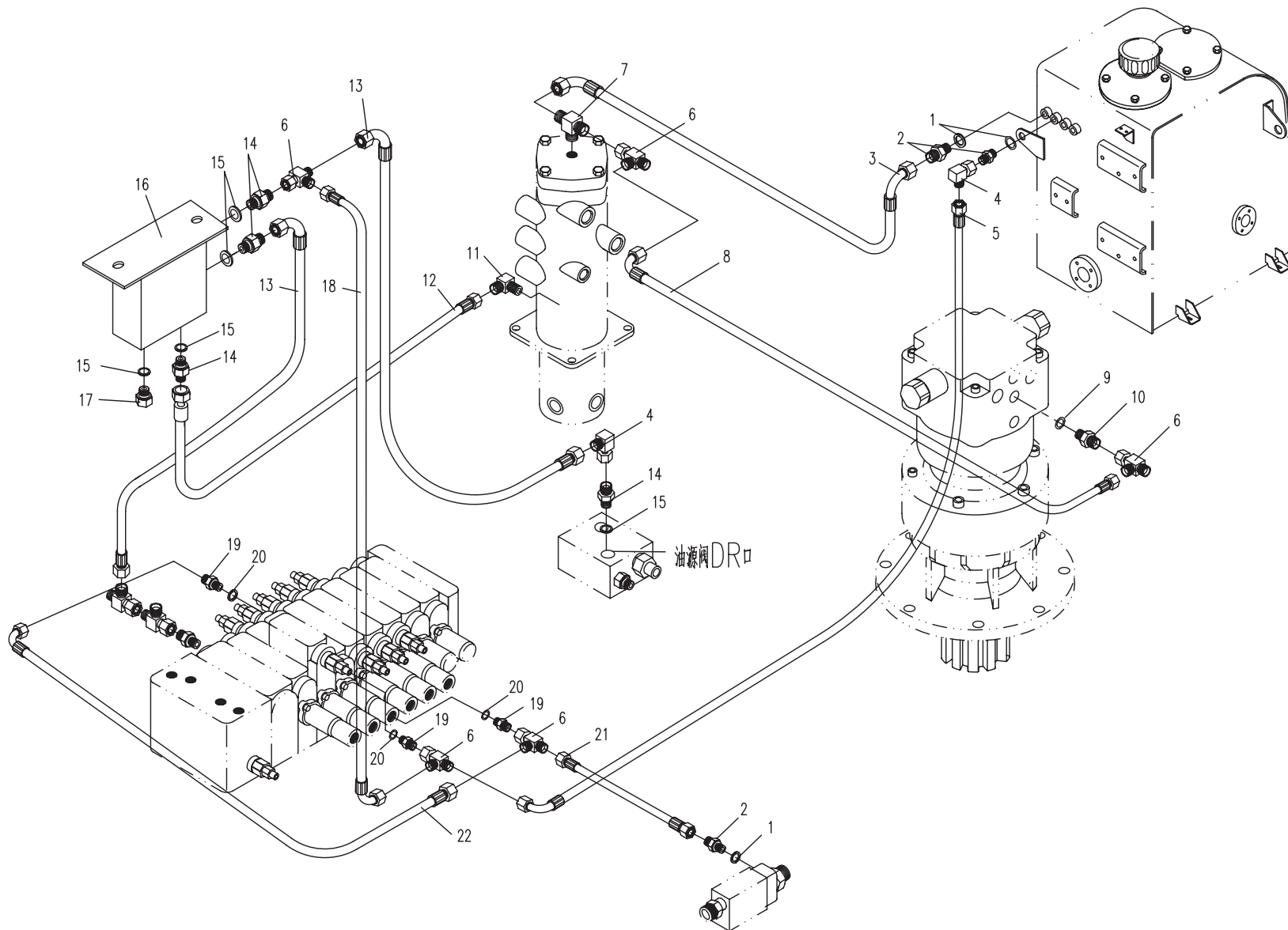
85.4.1 先导部分的液压系统4(适用850H01机型) HYDRAULIC SYSTEM FOR PILOT PART 4 (APPLY TO 850H01 TYPE)



85.4.2 先导部分的液压系统4(适用850H02机型) HYDRAULIC SYSTEM FOR PILOT PART 4 (APPLY TO 850H02 TYPE)

序号 No.	数量 Quantity	代号 Code	名称 Description		备注 Remark
1	1	18 BS/A18.7×27×2 ISO	组合密封垫圈	Combinatory washer	
2	2	801-0500006	直接头	Bolt joint	
3	1	850-8526000	胶管总成	Rubber hose assemgly	
4	1	810M-0500003	直角接头	Square joint	
5	1	830D-8505000A	胶管总成	Rubber hose assemgly	
6	1	850-8502000	三通接头	Tee joint	
7	1	820-7500007	三通接头	Tee joint	
8	1	850-8527000	胶管总成	Rubber hose assemgly	
9	1	13.8×2.4 NBR-90 ISO	O形橡胶密封圈	O seal ring	
10	1	820-8500013	直接头	Bolt joint	
11	1	850-8500004	直角接头	Square joint	
12	1	850-8523000	胶管总成	Rubber hose assemgly	
13	2	850-8519000	胶管总成	Rubber hose assemgly	
14	3	820-8500004	直接头	Bolt joint	
15	4	14 BS/A 14.7X21X1.5 ISO	组合密封垫圈	Combinatory washer	
16	1	T0301-12000	踏板先导阀	Footplate pilot valve	
17	1	830-8500001	堵头	Screw plug	
18	1	830-8509000	胶管总成	Rubber hose assemgly	
19	2	855-7500002	直接头	Bolt joint	
20	2	10.8×2.4 NBR-90 ISO	O形橡胶密封圈	O seal ring	
21	1	850-8518000	胶管总成	Rubber hose assemgly	
22	1	830D-8509000A	胶管总成	Rubber hose assemgly	

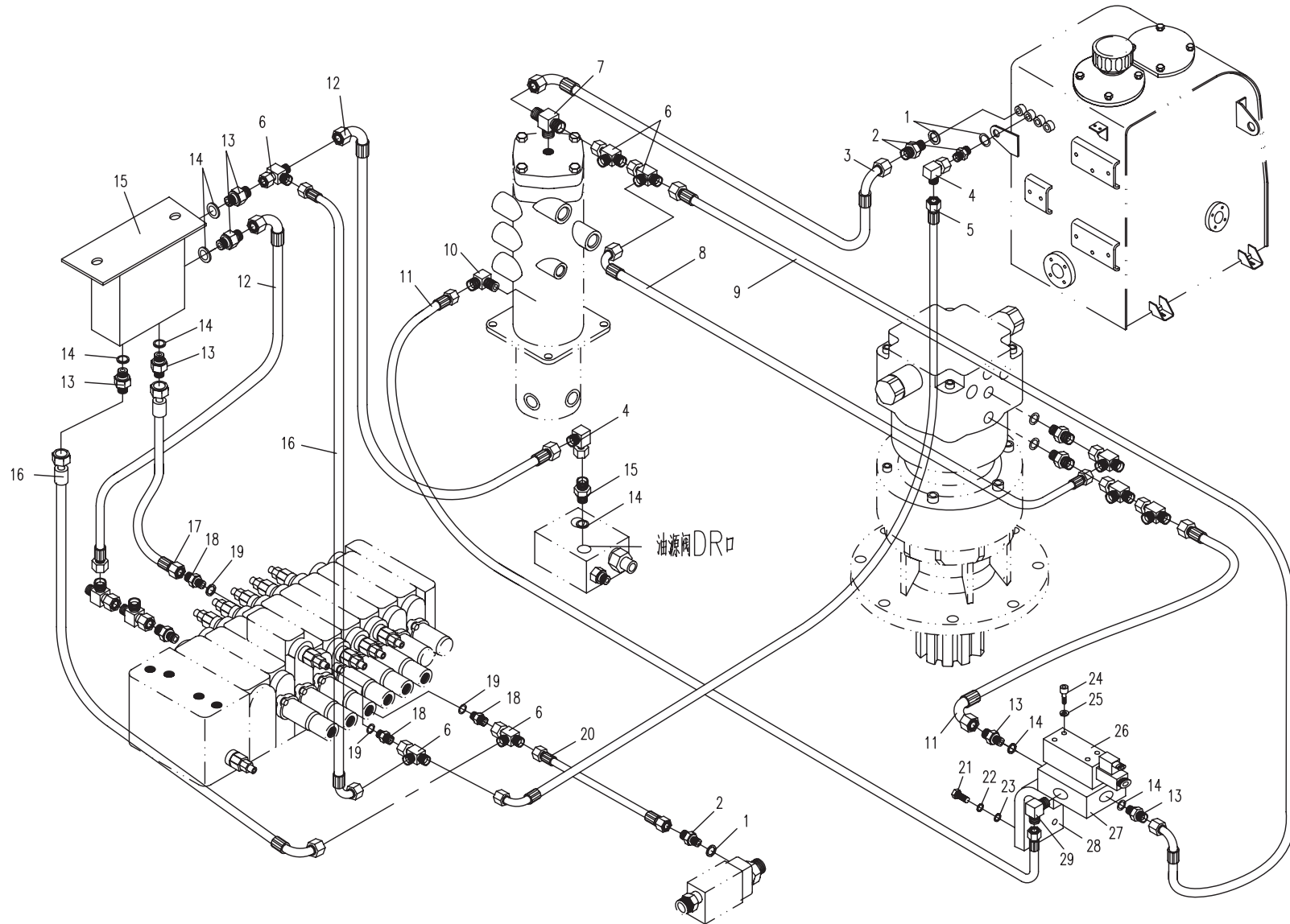
85.4.2 先导部分的液压系统4(适用850H02机型) HYDRAULIC SYSTEM FOR PILOT PART 4 (APPLY TO 850H02 TYPE)



85.4.3 先导部分的液压系统4(适用850H03机型) HYDRAULIC SYSTEM FOR PILOT PART 4 (APPLY TO 850H03 TYPE)

序号 No.	数量 Quantity	代号 Code	名称 Description		备注 Remark
1	1	18 BS/A18.7×27×2 ISO	组合密封垫圈	Combinatory washer	
2	2	801-0500006	直接头	Bolt joint	
3	1	850-8526000	胶管总成	Rubber hose assembly	
4	1	810M-0500003	直角接头	Square joint	
5	1	830D-8505000A	胶管总成	Rubber hose assembly	
6	1	850-8502000	三通接头	Tee joint	
7	1	820-7500007	三通接头	Tee joint	
8	1	850-8527000	胶管总成	Rubber hose assembly	
9	1	850-8511000	胶管总成	Rubber hose assembly	
10	1	850-8500004	直角接头	Square joint	
11	1	850-8523000	胶管总成	Rubber hose assembly	
12	2	850-8519000	胶管总成	Rubber hose assembly	
13	3	820-8500004	直接头	Bolt joint	
14	4	14 BS/A 14.7×21×1.5 ISO	组合密封垫圈	Combinatory washer	
15	1	T0301-12000	踏板先导阀	Footplate pilot valve	
16	2	830-8509000	胶管总成	Rubber hose assembly	
17	1	850D-8501000	胶管总成	Rubber hose assembly	
18	2	855-7500002	直接头	Bolt joint	
19	2	10.8×2.4 NBR-90 ISO	O形橡胶密封圈	O seal ring	
20	1	850-8518000	胶管总成	Rubber hose assembly	
21	4	M8×20 GB/T5783	六角头螺栓	Bolt	8.8-Zn.D
22	4	8 GB/T93	弹簧垫圈	Spring washer	Zn.D
23	4	8 GB/T97.1	平垫圈	Washer	Zn.D
24	4	M5×50 GB/T70.1	内六角圆柱头螺钉	Bolt	8.8-Zn.D
25	4	5 GB/T93	弹簧垫圈	Spring washer	Zn.D
26	1	T0309-03000	电磁阀	Solenoid valve	
27	1	T0307-01000	阀块	Valve body	
28	1	850D-8500001	电磁阀支架	Solenoid valve bracket	
29	1	850D-8500002	可调直角接头	Square joint	

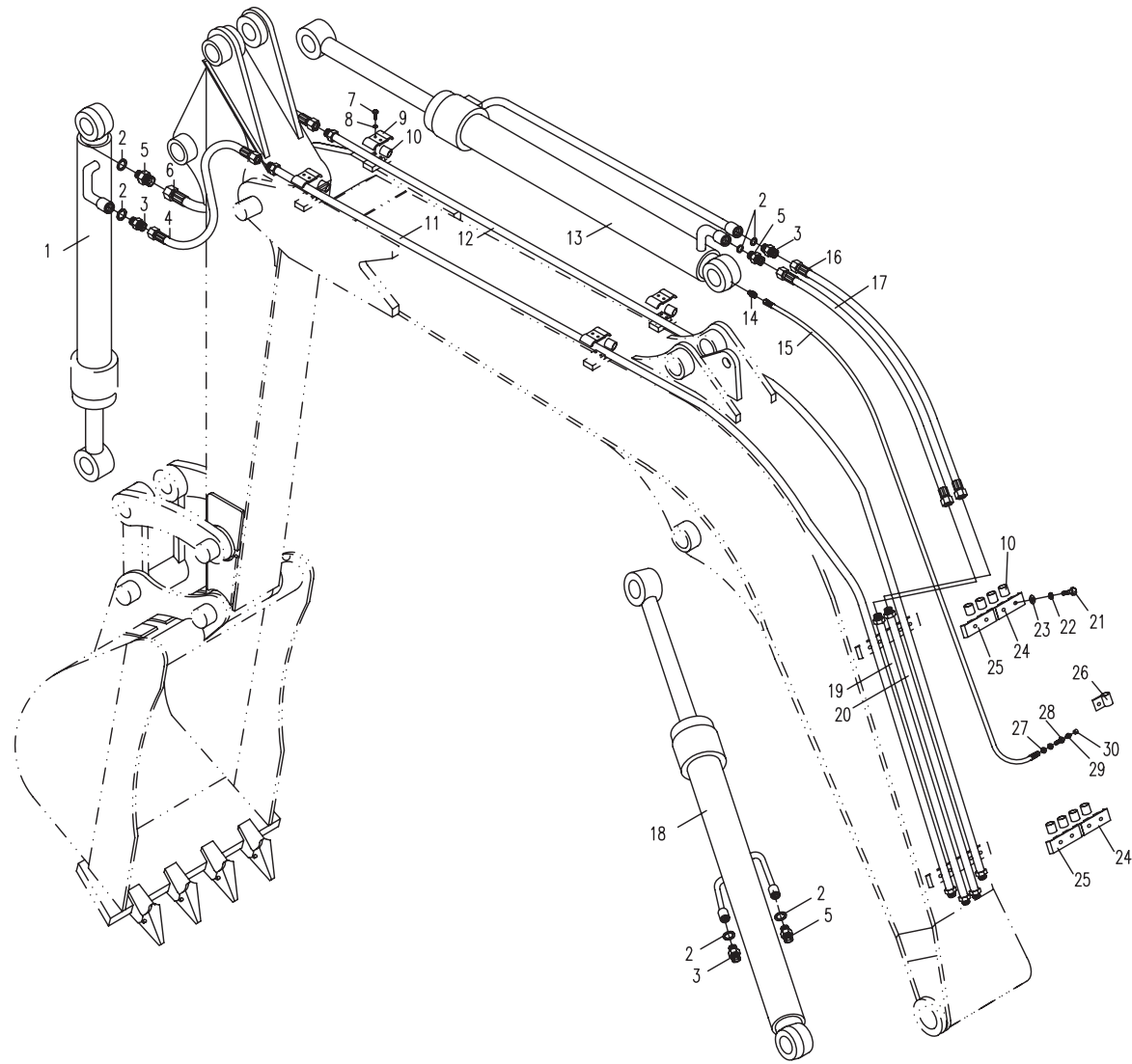
85.4.3 先导部分的液压系统4(适用850H03机型) HYDRAULIC SYSTEM FOR PILOT PART 4 (APPLY TO 850H03 TYPE)



95.1.1 工作装置的液压系统(适用850H01,850H02,850H03机型)HYDRAULIC SYSTEM FOR WORKING EQUIPMENT(APPLY TO 850H01,850H02,850H03 TYPE)

序号 No.	数量 Quantity	代号 Code	名称 Description		备注 Remark
1	1	855-9501000	铲斗油缸总成	Bucket cylinder	选装(进口件, 韩国东洋)
	1	850C-9531000	铲斗油缸	Bucket cylinder	选装(无锡恒立)
2	6	17.8×2.4 NBR-90 ISO	O形橡胶密封圈	O seal ring	
3	3	850-0500005	直接头	Bolt joint	
4	1	850C-9511000	胶管总成	Rubber pipe assembly	
5	3	860A-0500003	直接头	Bolt joint	
6	1	870-9519000	胶管总成	Rubber pipe assembly	
7	8	M8×25 GB/T5783	六角头螺栓	Bolt	8.8-达克罗
8	8	8 GB/T93	弹簧垫圈	Spring washer	达克罗
9	4	850C-9500001B	管夹	Pipe clamp	
10	12	850C-9500004	橡胶套I	Rubber sleeve I	
11	1	853-9503000	铲斗小腔钢管总成	Steel pipe assembly	
12	1	853-9504000	铲斗大腔钢管总成	Steel pipe assembly	
13	1	850C-9502000	斗杆缸总成	Arm cylinder	选装(进口件, 韩国东洋)
	1	850C-9532000	斗杆缸总成	Arm cylinder	选装(无锡恒立)
14	1	801-0500027	直角接头	Bolt joint	选装, 适用韩国东洋斗杆缸
	1	853-9500002	直角接头	Bolt joint	选装, 适用无锡恒立斗杆缸
15	1	850C-9514000	胶管总成	Rubber pipe assembly	
16	1	850C-9512000	胶管总成	Rubber pipe assembly	
17	1	850C-9513000	胶管总成	Rubber pipe assembly	
18	1	850-9503000A	动臂缸总成	Boom cylinder	选装(进口件, 韩国东洋)
	1	850C-9528000	动臂缸总成	Boom cylinder	选装(无锡恒立)
19	1	850-9508000	斗杆大腔钢管总成	Steel pipe assembly	
20	1	850-9509000	斗杆小腔钢管总成	Steel pipe assembly	
21	8	M10×60 GB/T5783	六角头螺栓	Bolt	8.8-达克罗
22	8	10 GB/T93	弹簧垫圈	Spring washer	达克罗
23	8	10 GB/T97.1	平垫圈	Washer	达克罗
24	2	850C-9500002A	管夹	Pipe clamp	

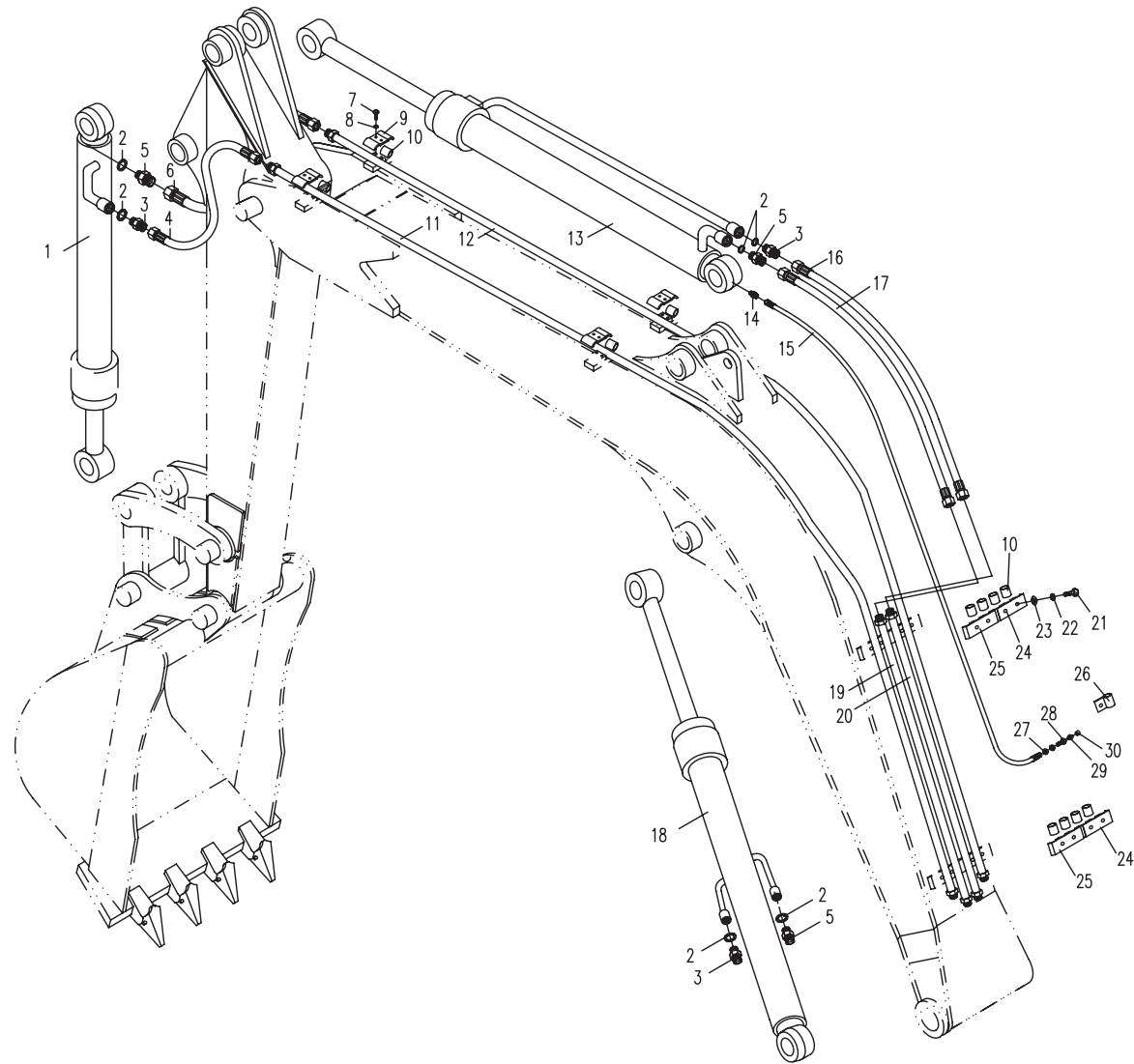
95.1.1 工作装置的液压系统(适用850H01,850H02,850H03机型)HYDRAULIC SYSTEM FOR WORKING EQUIPMENT(APPLY TO 850H01,850H02,850H03 TYPE)



95.1.1 工作装置的液压系统(适用850H01,850H02,850H03机型)HYDRAULIC SYSTEM FOR WORKING EQUIPMENT(APPLY TO 850H01,850H02,850H03 TYPE)

序号 No.	数量 Quantity	代号 Code	名称 Description		备注 Remark
25	2	850C-9500003A	管夹	Pipe clamp	
26	1	850-9500005	管夹	Pipe clamp	
27	2	M10x1 GB/T6171	1型六角螺母	Nut	8-达克罗
28	1	820-0205001	油杯接头	Grease cup joint	
29	1	M10×1 GB/T7940.1	直通式压注油杯	Grease cup	
30	1	801-0400001	油杯盖	Grease cup cap	

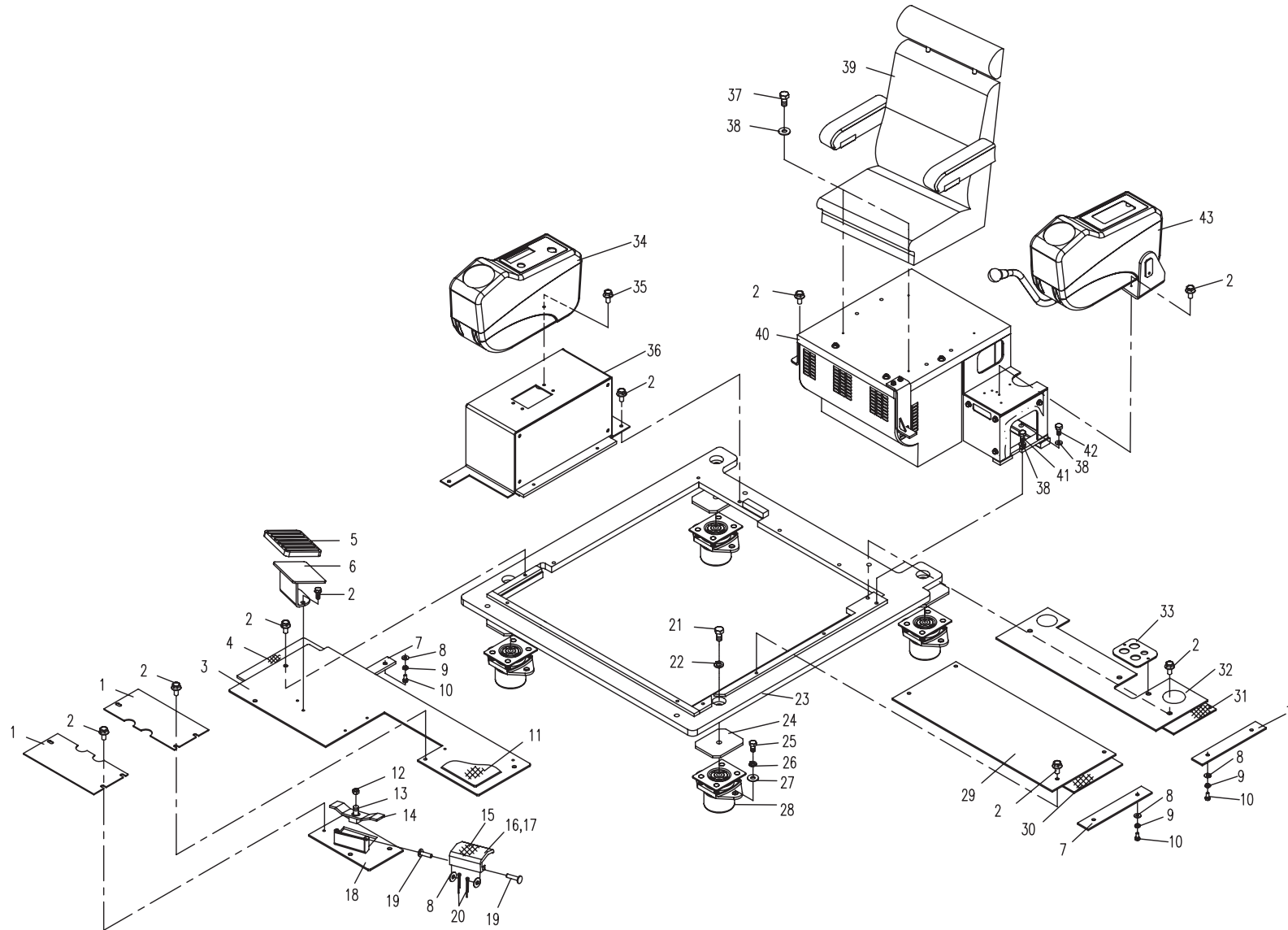
95.1.1 工作装置的液压系统(适用850H01,850H02,850H03机型)HYDRAULIC SYSTEM FOR WORKING EQUIPMENT(APPLY TO 850H01,850H02,850H03 TYPE)



06.1.1 操纵机构(适用850H01,850H02,850H03机型) CONTROL FRAMEWORK(APPLY TO 850H01,850H02,850H03 TYPE)

序号 No.	数量 Quantity	代号 Code	名称 Description		备注 Remark
1	2	830D-0600016	操纵盖板	Controlling cover plate	
2	10	M8×16 GB/T5789	六角法兰面螺栓	Bolt	8.8-达克罗
3	1	830P-0606100A	前底板	Front motherboard	
4	1	830P-0606002A	隔音绵	Sponge	
5	1	860E-0613001	橡胶踏	Rubber footplate	
6	1	835-0614010A	脚踏座	Footplate pedestal	
7	7	830P-0606001	垫板	Press plate	
8	4	6 GB/T97.1	平垫圈	Washer	Zn. D
9	4	6 GB/T93	弹簧垫圈	Spring washer	Zn.D
10	4	M6×16 GB/T5783	六角头螺栓	Bolt	8.8-Zn. D
11	1	830P-0600002B	地板胶	Rubber floorboard	
12	5	M8 GB/T6170	1型六角螺母	Nut	8-Zn. D
13	1	830D-0611002	螺杆	Screw	
14	1	830D-0611100	踏板	Footplate	
15	1	860E-0613001	橡胶踏	Rubber footplate	
16	1	830P-0609100	脚踏盖板	Cover plate	
17	1	830D-0900002	橡胶垫	Rubber mat	
18	1	830H-0613000	左底板	Left Motherboard	
19	2	6×16 GB/T882	销轴	Pin	Zn.D
20	2	2×12 GB/T91	开口销	Cotter pin	Zn. D
21	4	M14×30 GB/T70.1	内六角圆柱头螺钉	Bolt	8.8-Zn.D
22	4	14 GB/T97.1	平垫圈	Washer	Zn. D
23	1	853D-0601000	框架组件	Frame assembly	
24	4	830P-0600003	垫片	Washer	
25	8	M10×20 GB/T5783	六角头螺栓	Bolt	10.9-达克罗
26	8	10 GB/T93	弹簧垫圈	Spring washer	Zn. D
27	8	10 GB/T97.1	平垫圈	Washer	Zn.D
28	4	830P-0600001	减震器	Shock absorber	

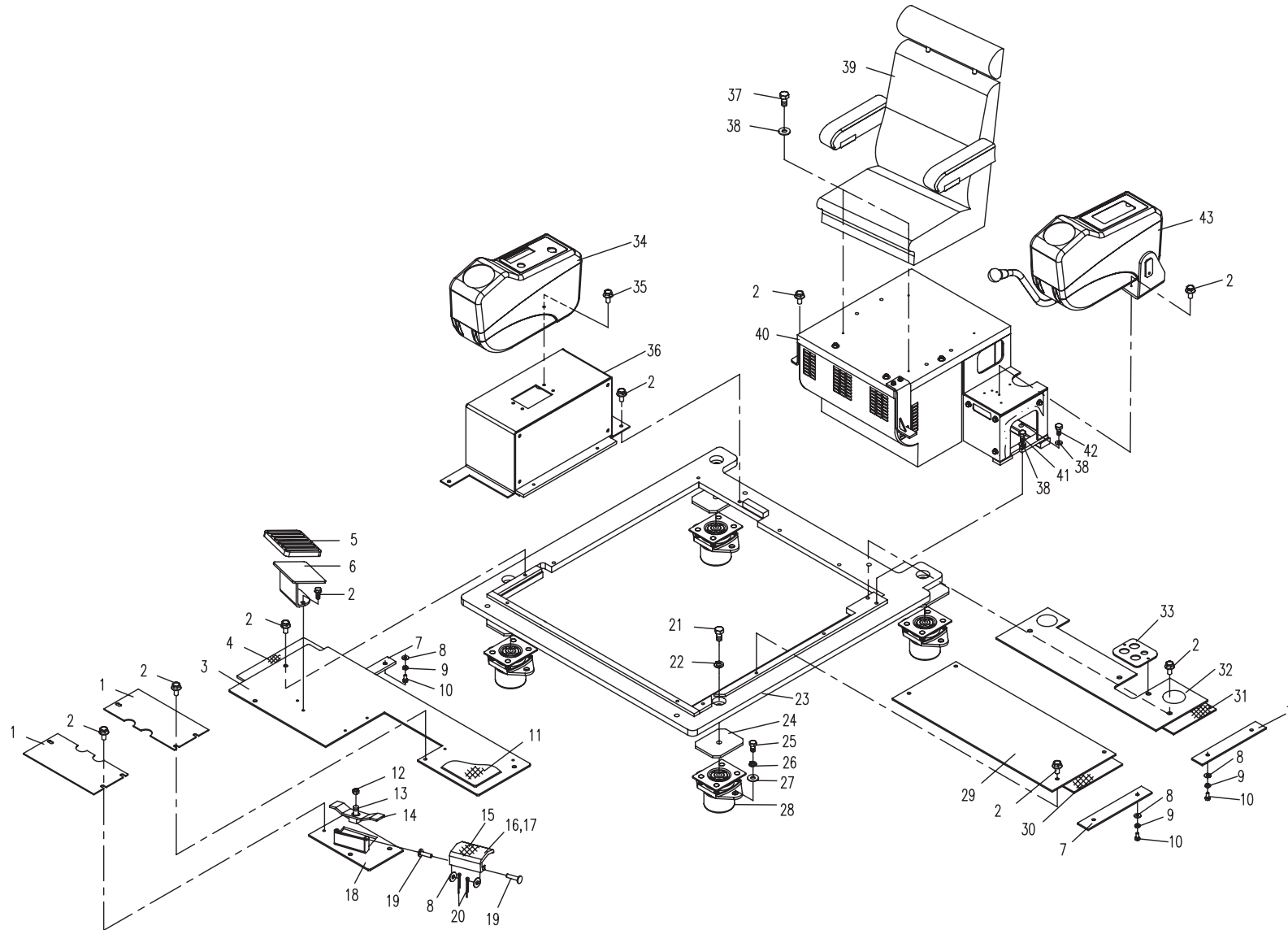
06.1.1 操纵机构(适用850H01,850H02,850H03机型) CONTROL FRAMEWORK(APPLY TO 850H01,850H02,850H03 TYPE)



06.1.1 操纵机构(适用850H01,850H02,850H03机型) CONTROL FRAMEWORK(APPLY TO 850H01,850H02,850H03 TYPE)

序号 No.	数量 Quantity	代号 Code	名称 Description		备注 Remark
29	1	830P-0608100	中底板	Middle motherboard	
30	1	830P-0608001A	隔音绵	Sponge	
31	1	830P-0607001A	隔音绵	Sponge	
32	1	830P-0607100A	后底板	Rear motherboard	
33	1	830D-0600015	盖板	Cover	
34	1	853D-0606000	右操纵箱组件	Right manipulate box subassembly	展开见06. 2. 2
35	8	M8×25 GB/T5789	六角法兰面螺栓	Bolt	8. 8-达克罗
36	1	853D-0604000	阀罩组件	Valve cover subassembly	展开见06. 4. 2
37	4	M8×16 GB/T5783	六角头螺栓	Bolt	8. 8-达克罗
38	4	8 GB/T97.1	平垫圈	Washer	达克罗
39	1	830D-0600026	座椅	Seat	
40	1	830P-0605000A	座椅架	Supporting plate of seat	展开见06. 5. 2
41	1	M8×25 GB/T5783	六角头螺栓	Bolt	
42	1	M8×35 GB/T5783	六角头螺栓	Bolt	
43	1	830P-0603000A	左操纵箱组件	Left manipulate box subassembly	展开见06. 3. 1

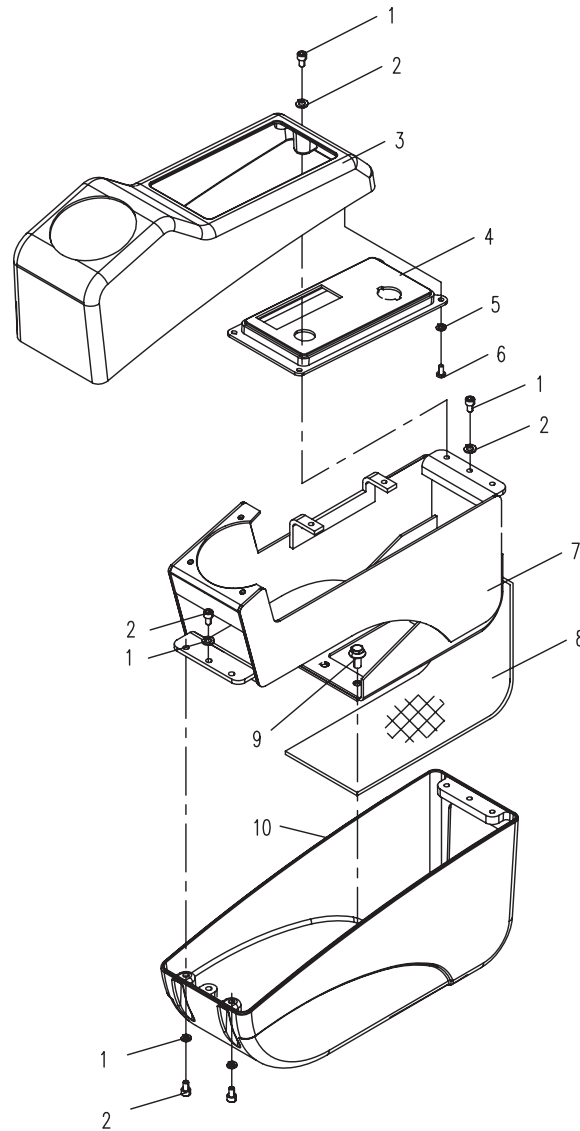
06.1.1 操纵机构(适用850H01,850H02,850H03机型) CONTROL FRAMEWORK(APPLY TO 850H01,850H02,850H03 TYPE)



06.2.1 右操纵箱组件(适用850H01,850H02,850H03机型) RIGHT MANIPULATE BOX SUBASSEMBLY (APPLY TO 850H01,850H02,850H03 TYPE)

序号 No.	数量 Quantity	代号 Code	名称 Description		备注 Remark
1	6	M6×20 GB/T70.1	内六角圆柱头螺钉	Bolt	8.8-达克罗
2	6	6 GB/T93	弹簧垫圈	Spring washer	达克罗
3	1	830P-0602001	上箱	Upper box	
4	1	853D-0602001	右面板	Right panel	
5	4	5 GB/T93	弹簧垫圈	Spring washer	Zn. D
6	4	M5×10 GB/T818	十字槽盘头螺钉	Bolt	8.8-Zn. D
7	1	853D-0606100	右支架	Right bracket	
8	1	830P-0602004	海绵板	Sponge	
9	5	M8×25 GB/T5789	六角法兰面螺栓	Bolt	8.8-达克罗
10	1	830P-0602002	下箱	Below box	

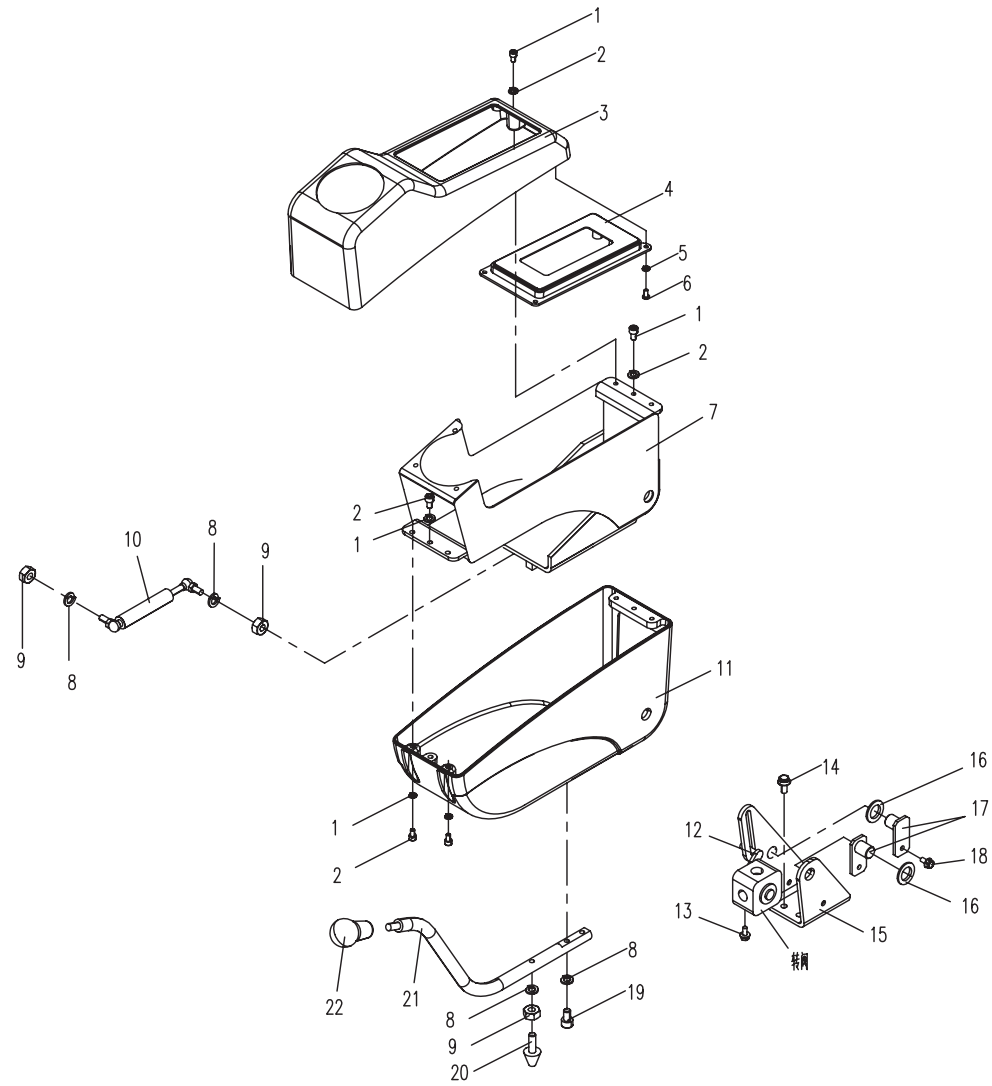
06.2.1 右操纵箱组件(适用850H01,850H02,850H03机型) RIGHT MANIPULATE BOX SUBASSEMBLY (APPLY TO 850H01,850H02,850H03 TYPE)



06.3.1 左操纵箱组件(适用850H01,850H02,850H03机型) LEFT MANIPULATE BOX SUBASSEMBLY (APPLY TO 850H01,850H02,850H03 TYPE)

序号 No.	数量 Quantity	代号 Code	名称 Description		备注 Remark
1	6	M6×20 GB/T70.1	内六角圆柱头螺钉	Bolt	8.8-达克罗
2	6	6 GB/T93	弹簧垫圈	Spring washer	达克罗
3	1	830P-0602001	上箱	Upper box	
4	1	830P-0603004	左面板	Left panel	
5	4	5 GB/T93	弹簧垫圈	Spring washer	Zn.D
6	4	M5×10 GB/T818	十字槽盘头螺钉	Bolt	8.8-Zn.D
7	1	830P-0603100A	左支架	Left bracket	
8	5	8 GB/T93	弹簧垫圈	Spring washer	达克罗
9	1	M8 GB/T6170	1型六角螺母	Nut	8-Zn.D
10	1	810A-1503000	气弹簧	Gas spring	
11	2	830P-0602002	下箱	Below box	
12	2	830D-0615000	安全阀手柄	Safety valve handle	
13	2	M6×12 GB/T5789	六角法兰面螺栓	Bolt	8.8-达克罗
14	2	M8×16 GB/T5789	六角法兰面螺栓	Bolt	8.8-达克罗
15	1	830P-0603300	后支撑	Rear supporting	
16	2	850-0600002	隔垫片	Washer	
17	2	830P-0603200	转轴	Axes	
18	4	M6×12 GB/T5789	六角法兰面螺栓	Bolt	8.8-达克罗
19	2	M8×20 GB/T70.1	内六角圆柱头螺钉	Bolt	8.8-达克罗
20	1	818B-0608000	螺钉帽	Cap of bolt	
21	1	830P-0603001A	拉杆	Draught pole	
22	1	810S-0604600	手柄头	Handle ball	

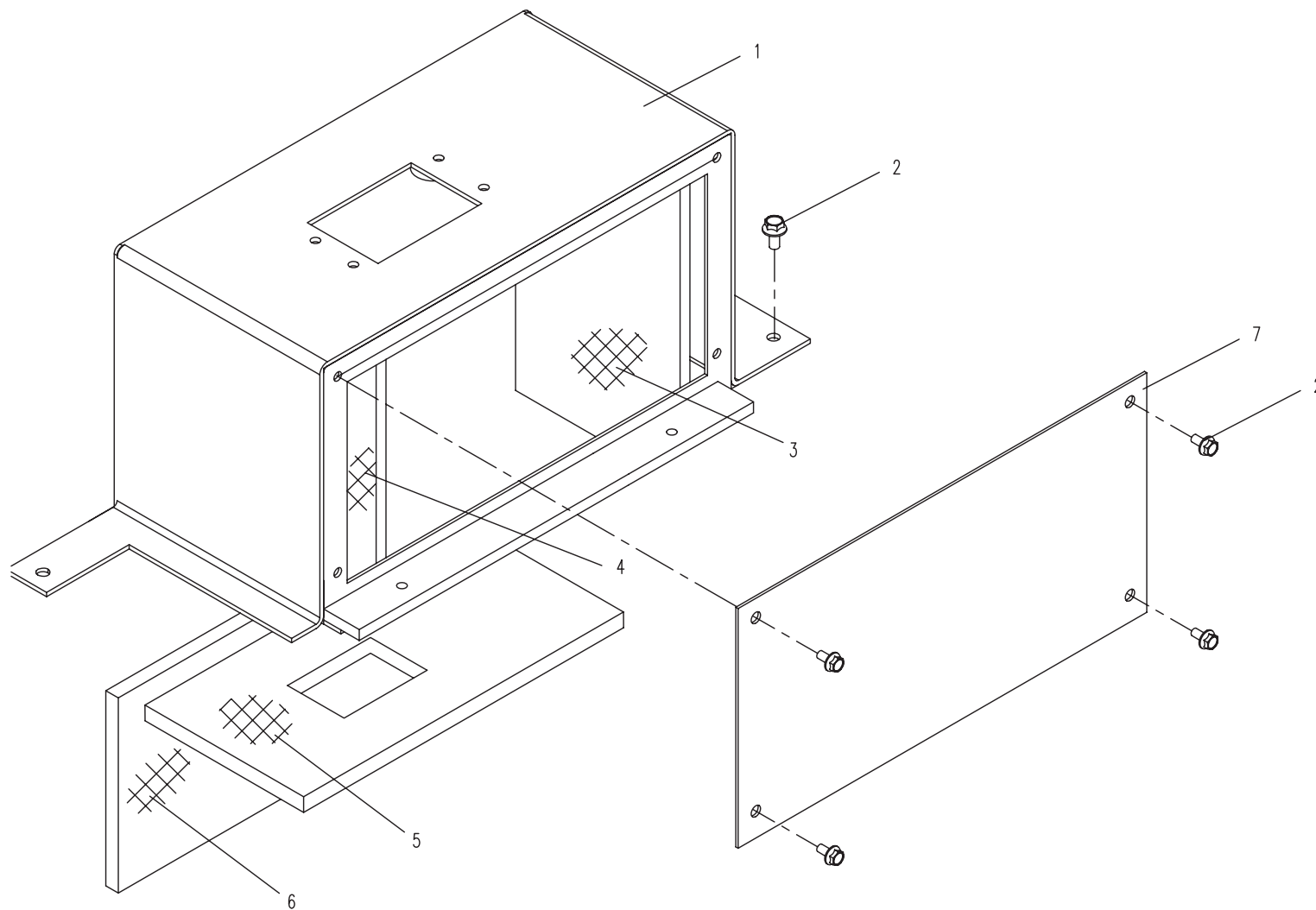
06.3.1 左操纵箱组件(适用850H01,850H02,850H03机型) LEFT MANIPULATE BOX SUBASSEMBLY (APPLY TO 850H01,850H02,850H03 TYPE)



06.4.1 阀罩组件(适用850H01,850H02,850H03 机型) VALVE COVER SUBASSEMBLY(APPLY TO 850H01,850H02,850H03 TYPE)

序号 No.	数量 Quantity	代 号 Code	名 称 Description		备 注 Remark
1	1	853D-0604100	阀罩	Valve cover	
2	7	M8x16 GB/T5789	六角法兰面螺栓	Bolt	8.8-达克罗
3	1	830P-0604005	后海绵	Rear sponge	
4	1	853D-0604001	前海绵	Front sponge	
5	1	830P-0604004	顶海绵	Upper sponge	
6	1	830P-0604003	右海绵	Right sponge	
7	1	830P-0604001	阀罩盖	Cover	

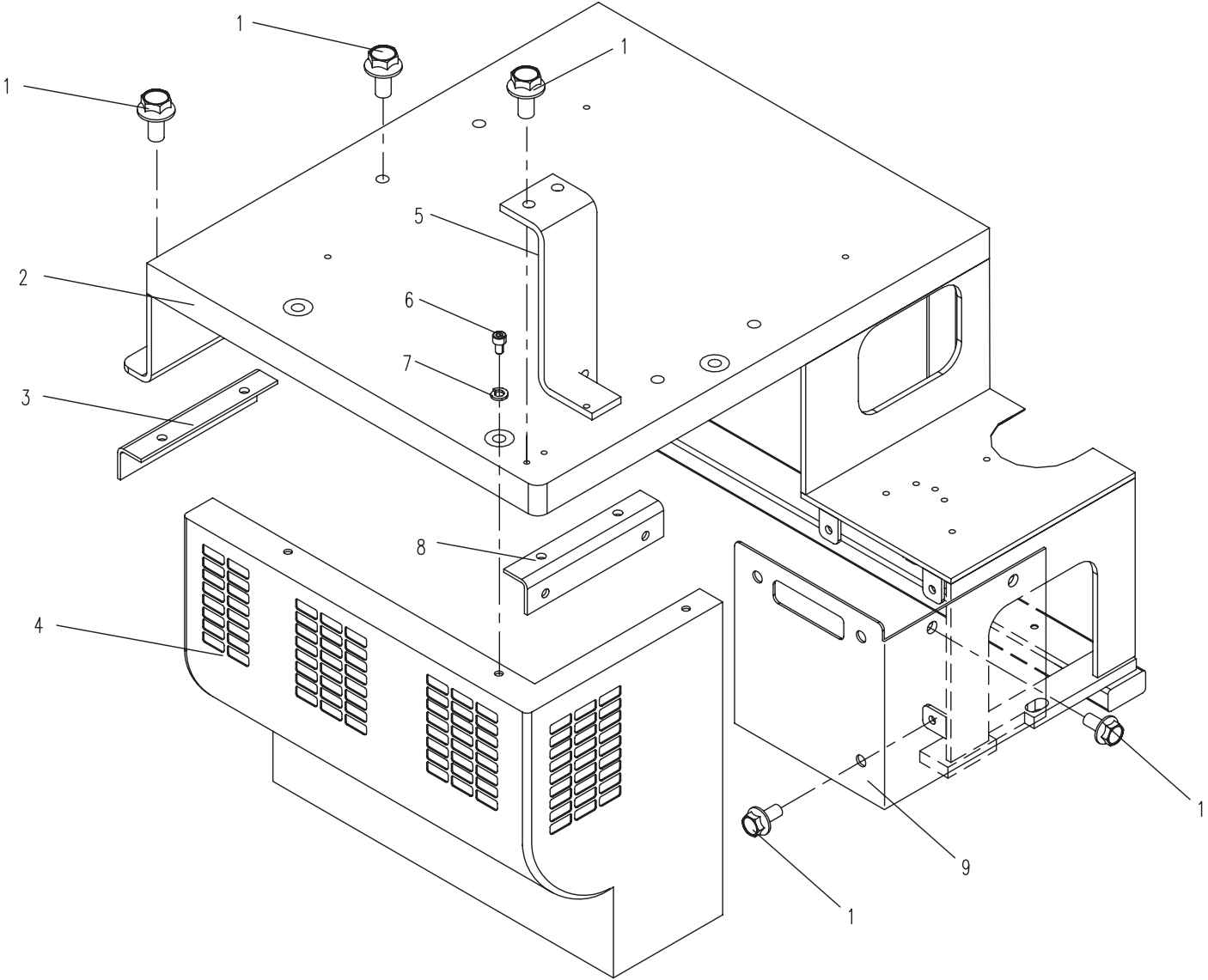
06.4.1 阀罩组件(适用850H01,850H02,850H03 机型) VALVE COVER SUBASSEMBLY(APPLY TO 850H01,850H02,850H03 TYPE)



06.5.1 座架(适用850H01,850H02,850H03机型) SUPPORTING PLATE OF SEAT (APPLY TO 850H01,850H02,850H03 TYPE)

序号 No.	数量 Quantity	代号 Code	名称 Description		备注 Remark
1	12	M8x16 GB/T5789	六角法兰面螺栓	Bolt	8.8-达克罗
2	1	830P-0605100A	座架	Supporting plate of seat	
3	1	858-0606000	空调右安装板	Right bracket	
4	1	830P-0605200	围罩	Cover	
5	1	830P-0605300A	前支撑	Front supporting	
6	3	M8X30 GB/T70.1	内六角圆柱头螺钉	Bolt	8.8-Zn. D
7	6	8 GB/T93	弹簧垫圈	Spring washer	达克罗
8	1	858-0609000	空调左安装板	Left bracket	
9	1	830P-0605001A	挡板	Baffle	

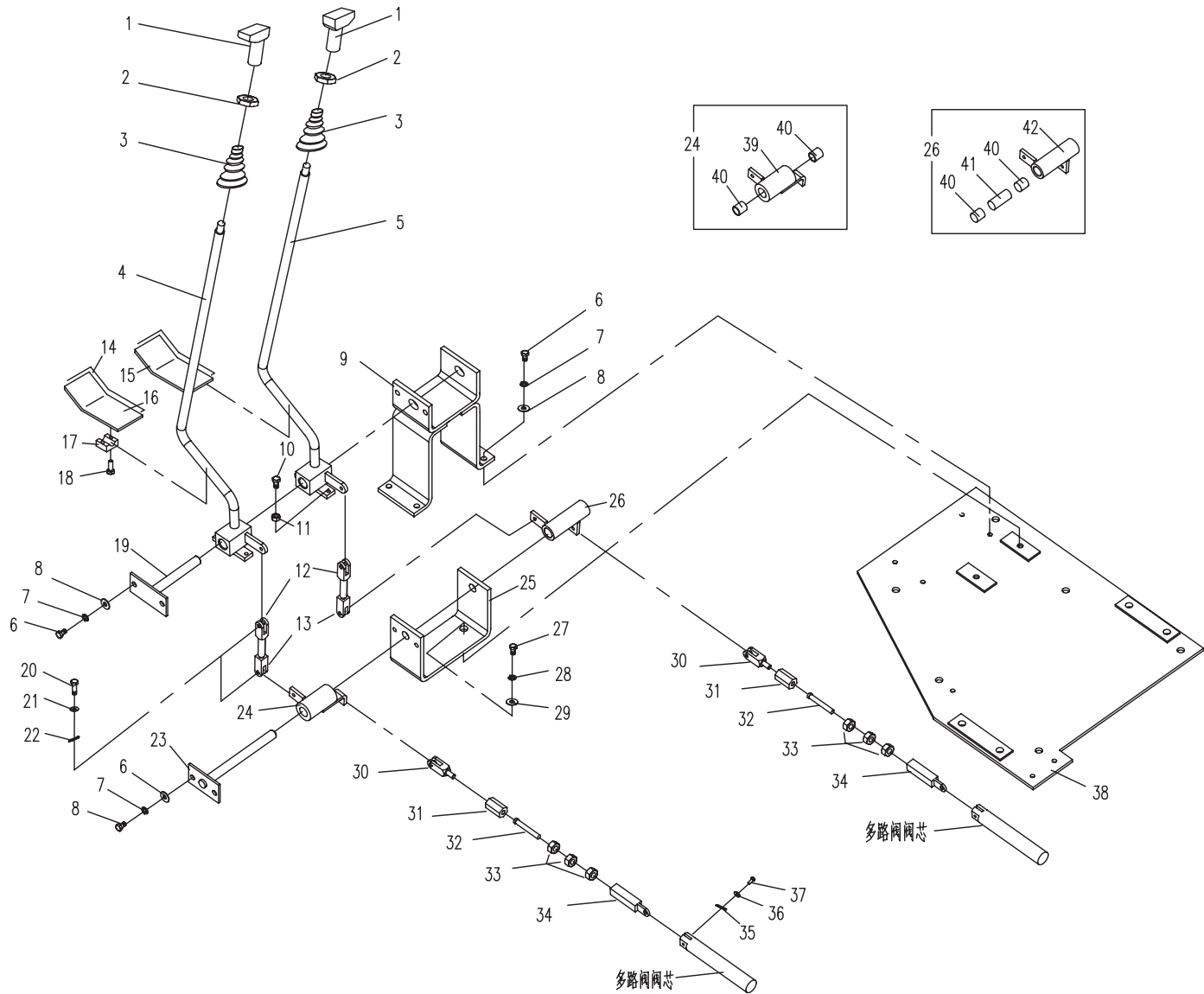
06.5.1 座椅架(适用850H01,850H02,850H03机型) SUPPORTING PLATE OF SEAT (APPLY TO 850H01,850H02,850H03 TYPE)



06.6.1 行走操纵 (适用850H01,850H02,850H03机型) HOOF FRAMEWORK (APPLY TO 850H01,850H02,850H03 TYPE)

序号 No.	数量 Quantity	代号 Code	名称 Description		备注 Remark
1	2	810-0620000A	手柄头	Handle boom	
2	2	M12 GB/T6172	六角薄螺母	Nut	8-Zn. D
3	2	818B-0620004	防尘套	Dustproof cover	
4	1	850-0621000	左操纵总成	Left framework assembly	
5	1	830D-0624000	右操纵总成	Right framework assembly	
6	10	M8X16 GB/T5783	六角头螺栓	Bolt	8. 8-Zn. D
7	10	8 GB/T93	弹簧垫圈	Spring washer	Zn. D
8	10	8 GB/T97.1	垫圈	Washer	Zn. D
9	1	850-0624000	支撑架	Bracket	
10	4	M6X25 GB/T5783	六角头螺栓	Bolt	8. 8-Zn. D
11	4	M6 GB/T6170	1型六角螺母	Nut	Zn. D
12	2	850-0620002	连接叉 I	Connecting fork I	
13	2	830D-0620002	连接叉 I	Connecting fork I	
14	1	830D-0651000	右踏板	Right footplate	选装
15	2	830D-0620015	胶踏板	Rubber footplate	选装
16	1	830D-0652000	左踏板	Left footplate	选装
17	2	830D-0620016	卡板	Clip plank	选装
18	4	M8X25 GB/T5789	六角法兰面螺栓	Bolt	8. 8-达克罗
19	1	830D-0614000	行走固定轴	Fastness pin of hoof	
20	6	6X24 GB/T882	销轴	Pin	Zn. D
21	6	6 GB/T97. 1	垫圈	Washer	Zn. D
22	6	2X12 GB/T91	开口销	Cotter pin	Zn. D
23	1	850-0626000	支撑轴	Supporting pin	
24	1	850-0623000	左套筒总成	Left sleeve assembly	
25	1	850-0620001	支撑弯板	Supporting plank	
26	1	850-0622000	右套筒总成	Right sleeve assembly	
27	8	10 GB/T97. 1	垫圈	Washer	Zn. D
28	8	10 GB/T93	弹簧垫圈	Spring washer	Zn. D

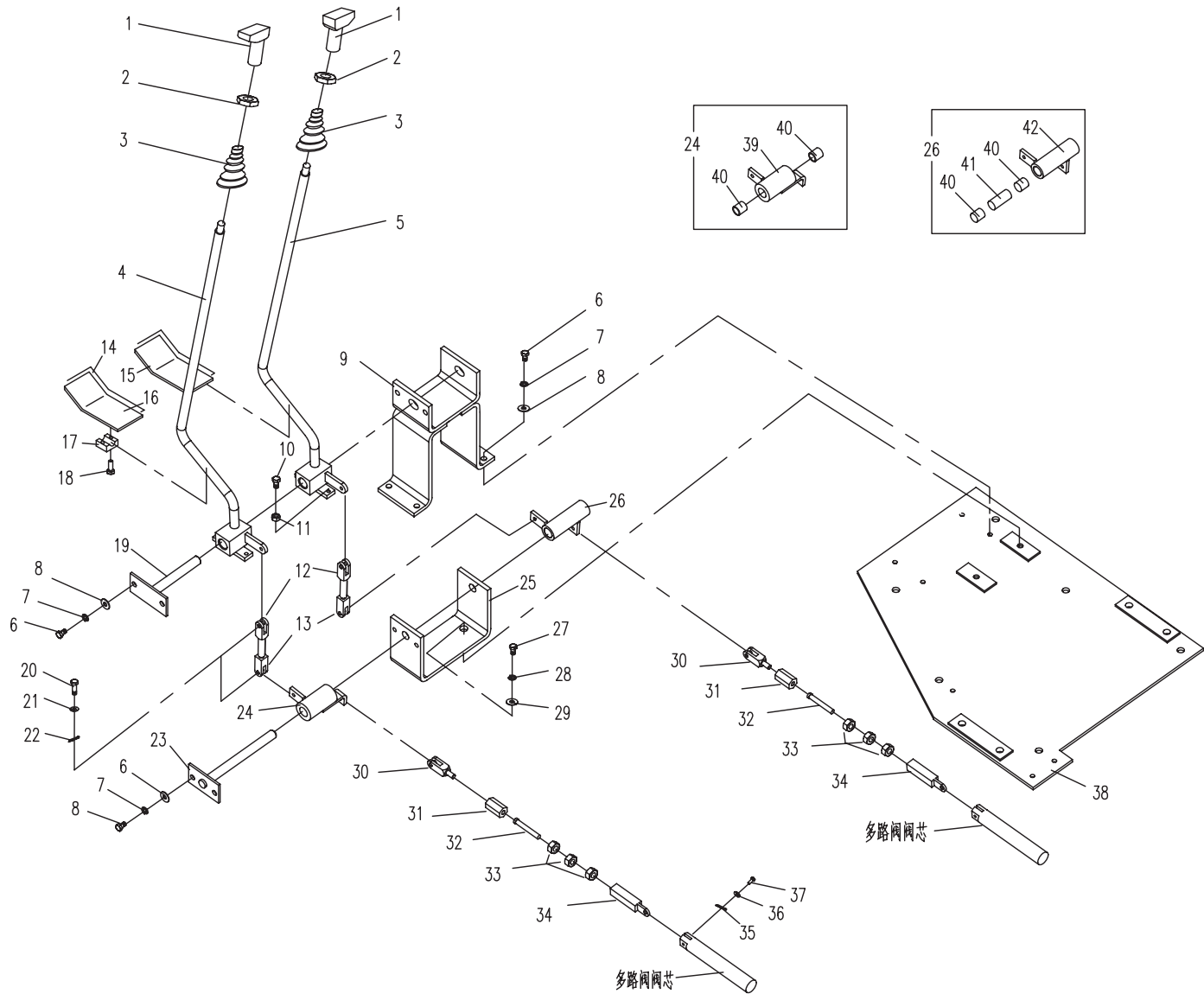
06.6.1 行走操纵 (适用850H01,850H02,850H03机型) HOOF FRAMEWORK (APPLY TO 850H01,850H02,850H03 TYPE)



06.6.1 行走操纵 (适用850H01,850H02,850H03机型) HOOF FRAMEWORK (APPLY TO 850H01,850H02,850H03 TYPE)

序号 No.	数量 Quantity	代号 Code	名称 Description		备注 Remark
29	8	M10X25 GB/T5783	六角头螺栓	Bolt	8. 8-Zn. D
30	2	830D-0620003	连接叉 II	Connecting fork II	
31	2	830D-0620009	轴套	Axis copy	
32	2	830D-0620011	螺杆	Screw	
33	6	M8 GB/T6170	1型六角螺母	Nut	8-Zn. D
34	2	850-0620003	连接叉 II	Connecting fork II	
35	2	1.2X12 GB/T91	开口销	Cotter pin	Zn. D
36	2	5 GB/T97.1	垫圈	Washer	Zn. D
37	2	850-0620004	销轴	Pin	
38	1	850H-0625000	阀架板	Valve frame plank	
39	1	850-0623100	左套筒	Left sleeve	
40	4	830D-0623001	衬套 1625	Bush 1625	
41	1	850-0622001	中间衬套	Middle bush	
42	1	850-0622100	右套筒	Right sleeve	

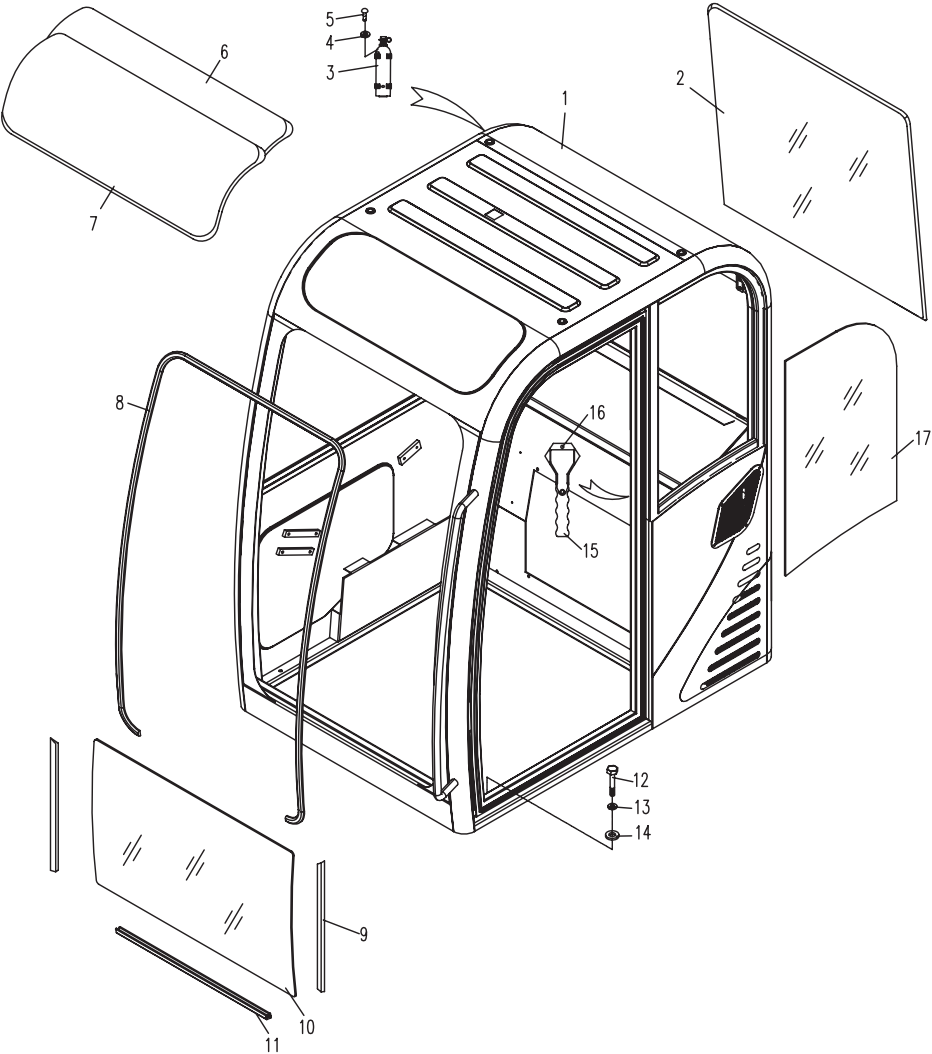
06.6.1 行走操纵 (适用850H01,850H02,850H03机型) HOOF FRAMEWORK (APPLY TO 850H01,850H02,850H03 TYPE)



07.1.1 驾驶室组件 1 (适用850H01,850H02机型) CAB SUBASSEMBLY 1 (APPLY TO 850H01,850H02 TYPE)

序号 No.	数量 Quantity	代号 Code	名称 Description		备注 Remark
	1	853D-2811000	驾驶室	Cab	
1	1	853D-0701000A	驾驶室主体	Main body of cab	
2	1	853D-0700006	后窗玻璃	Rear window glass	
3	1	830D-0713000	灭火器	Fire extinguisher	
4	2	5 GB/T97. 1	平垫圈	Washer	达克罗
5	2	ST4. 8 22 GB/T845	十字槽盘头自攻螺钉	Bolt	8. 8-达克罗
6	2. 2m	830D-0700038	胶条	Rubber seal strip	
7	1	853D-0700009	前顶窗玻璃	Transom window glass	
8	1	853D-0700051	前密封胶条	Rubber seal strip	
9	0. 87m	801-0700016	密封条	Rubber seal strip	
10	1	853D-0700002	前下窗玻璃	Front-lower window glass	
11	1. 07m	830D-0700044	下窗缓冲胶条	Rubber seal strip	
12	4	M16 55 GB/T5783	六角头螺栓	Bolt	10. 9-达克罗
13	4	16 GB/T93	弹簧垫圈	Spring washer	达克罗
14	4	16 GB/T96	大垫圈	Washer	达克罗
15	1	830H-0700012	逃生锤	Lifesaving hammer	
16	2	ST4. 2 13 GB/T845	十字槽沉头自攻螺钉	Bolt	8. 8-达克罗
17	1	853D-0700001	左后侧窗玻璃	Left-rear window glass	

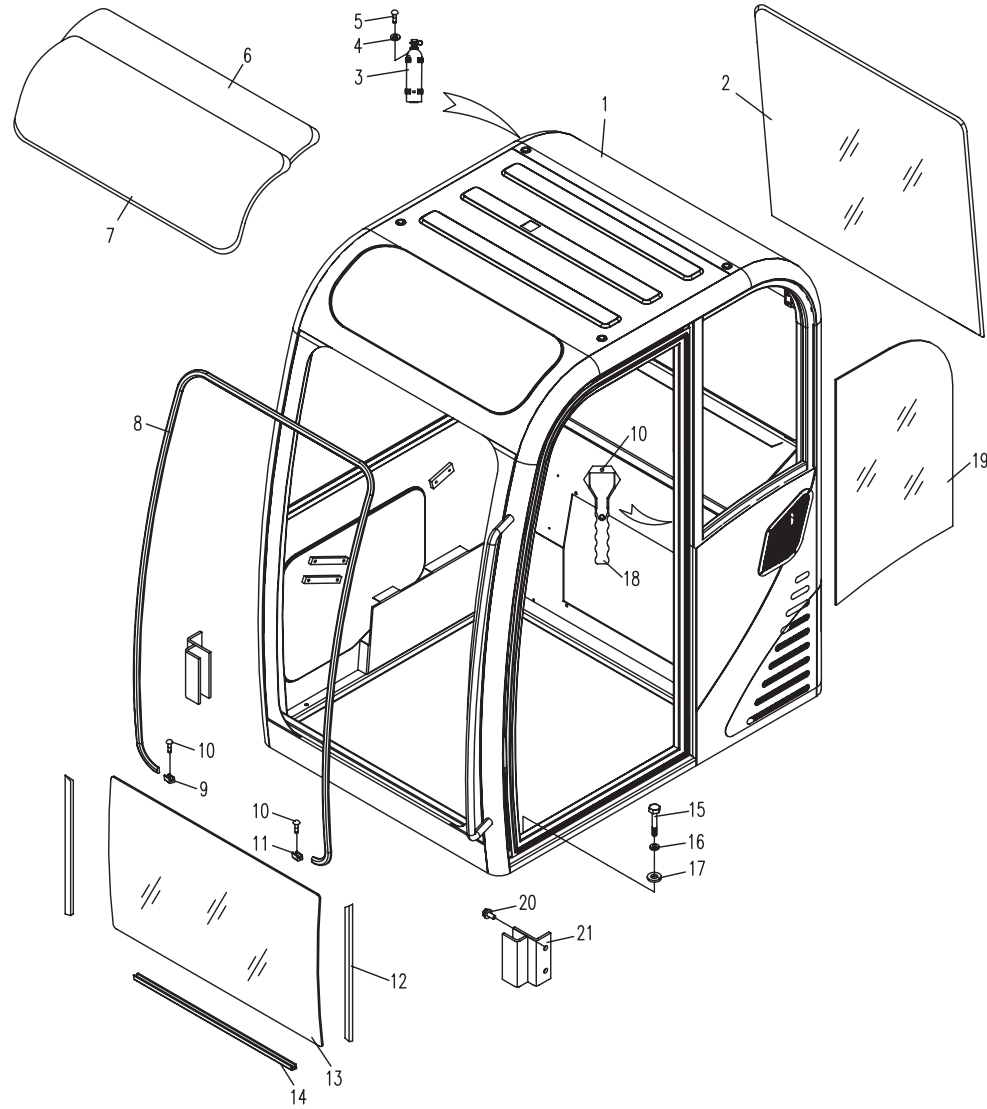
07.1.1 驾驶室组件 1 (适用850H01,850H02机型) CAB SUBASSEMBLY 1 (APPLY TO 850H01,850H02 TYPE)



07.1.2 驾驶室组件 1 (适用850H03机型) CAB SUBASSEMBLY 1 (APPLY TO 850H03 TYPE)

序号 No.	数量 Quantity	代号 Code	名称 Description		备注 Remark
	1	830T-2811000	驾驶室	Cab	
1	1	830T-0701000	驾驶室主体	Main body of cab	
2	1	853D-0700006	后窗玻璃	Rear window glass	
3	1	830D-0713000	灭火器	Fire extinguisher	
4	2	5 GB/T97.1	平垫圈	Washer	达克罗
5	2	ST4.8×22 GB/T845	十字槽盘头自攻螺钉	Bolt	8.8-达克罗
6	2.2m	830D-0700038	胶条	Rubber seal strip	
7	1	853D-0700009	前顶窗玻璃	Transom window glass	
8	1	830D-0700028A	前密封胶条	Rubber seal strip	
9	1	853D-0700027	右封堵头	Right plug	
10	4	ST4.2×13 GB/T845	十字槽沉头自攻螺钉	Bolt	8.8-达克罗
11	1	853D-0700028	左封堵头	Left plug	
12	0.87m	801-0700016	密封条	Rubber seal strip	
13	1	853D-0700002	前下窗玻璃	Front-lower window glass	
14	1.07m	830D-0700044	下窗缓冲胶条	Rubber seal strip	
15	4	M16×55 GB/T5783	六角头螺栓	Bolt	10.9-达克罗
16	4	16 GB/T93	弹簧垫圈	Spring washer	达克罗
17	4	16 GB/T96	大垫圈	Washer	达克罗
18	1	830H-0700012	逃生锤	Lifesaving hammer	
19	1	853D-0700001	左后侧窗玻璃	Left-rear window glass	
20	2	M6×12 GB/T5789	六角法兰面螺栓	Bolt	8.8-达克罗
21	1	830H-0711000	玻璃安装板	Fixing plate	

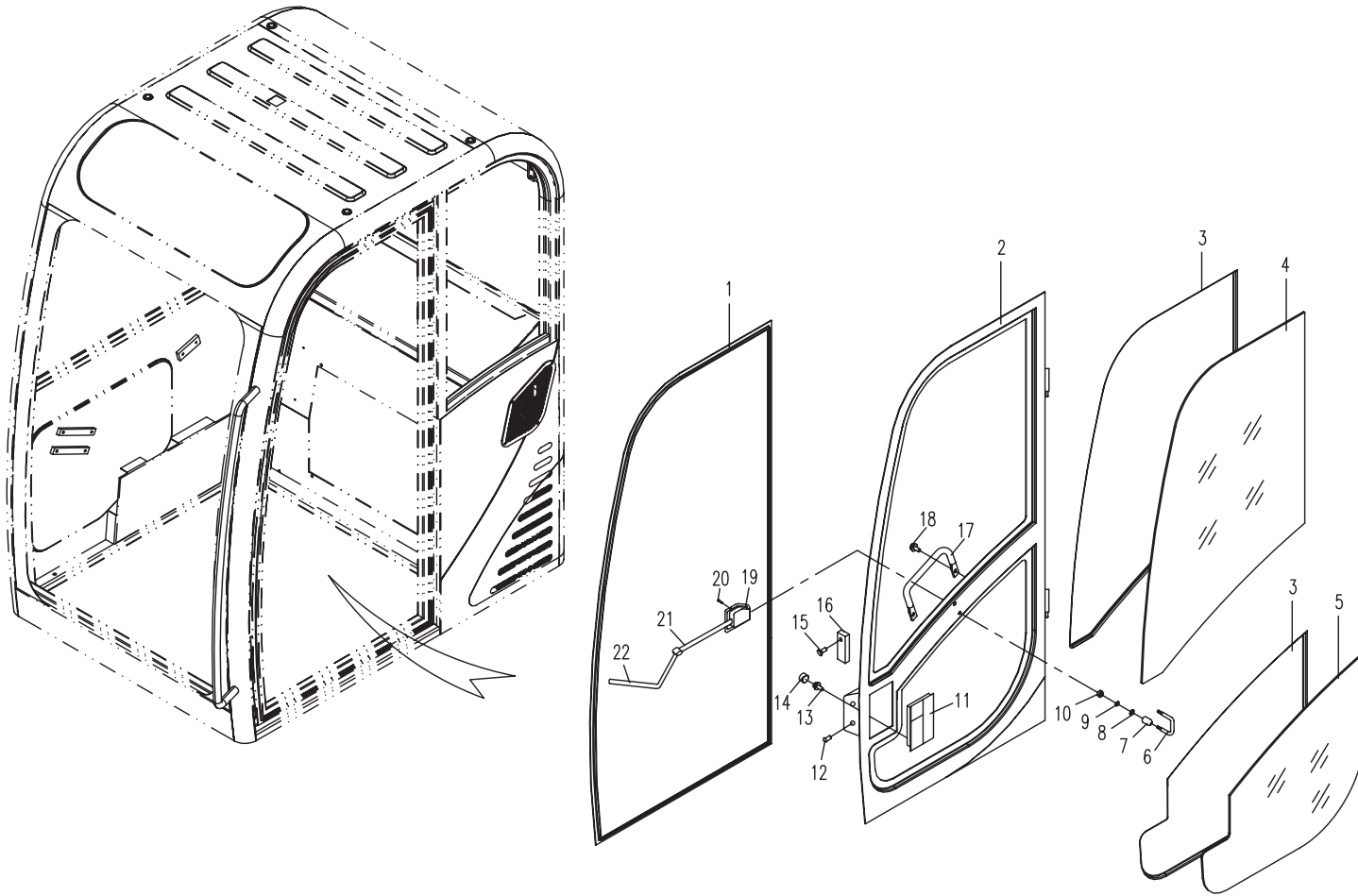
07.1.2 驾驶室组件 1 (适用850H03机型) CAB SUBASSEMBLY 1 (APPLY TO 850H03 TYPE)



07.2.1 驾驶室组件 2 (适用850H01,850H02,850H03机型) CAB SUBASSEMBLY 2 (APPLY TO 850H01,850H02,850H03 TYPE)

序号 No.	数量 Quantity	代号 Code	名称 Description		备注 Remark
	1	853D-0703000	门组件	Cab door	
1	1	830H-0703001	门密封胶条	Rubber seal strip	
2	1	853D-0703100	门主体	Main body-Door	
3	2m	830H-0703008	胶条	Rubber seal strip	
4	1	853D-0703002	门上玻璃	Glass of door	
5	1	853D-0703007	门下玻璃	Glass of door	
6	1	860-0702009	锁钩	Locking knob	
7	2	860-0702011A	圆套	Bush	
8	2	8 GB/T97. 1	平垫圈	Washer	达克罗
9	2	8 GB/T93	弹簧垫圈	Spring washer	达克罗
10	2	M8 GB/T6170	1型六角螺母	Nut	8.8 达克罗
11	1	860-0702003	门锁	Door lock	
12	3	M6 10 GB/T818	十字槽盘头螺钉	Bolt	8.8-达克罗
13	4	M6X25 GB/T5789	六角法兰面螺栓	Bolt	8.8-达克罗
14	4	830H-0703011	胶塞	Rubber plug	
15	6	M5 10 GB/T819. 1	十字槽沉头螺钉	Bolt	8.8-达克罗
16	1	810S-0700015	限位 I	Bumper I	
17	1	853D-0703012	门内扶手	Inside armrest	
18	2	M8 16 GB/T5789	六角法兰面螺栓	Bolt	8.8-达克罗
19	1	855-0702005	内拉手	Inside knob	
20	2	M5 16 GB/T70. 1	内六角圆柱头螺钉	Bolt	8.8-达克罗
21	1	830D-0700015A	拉杆 II	Push shaft II	
22	1	830H-0700004	拉杆	Push shaft	

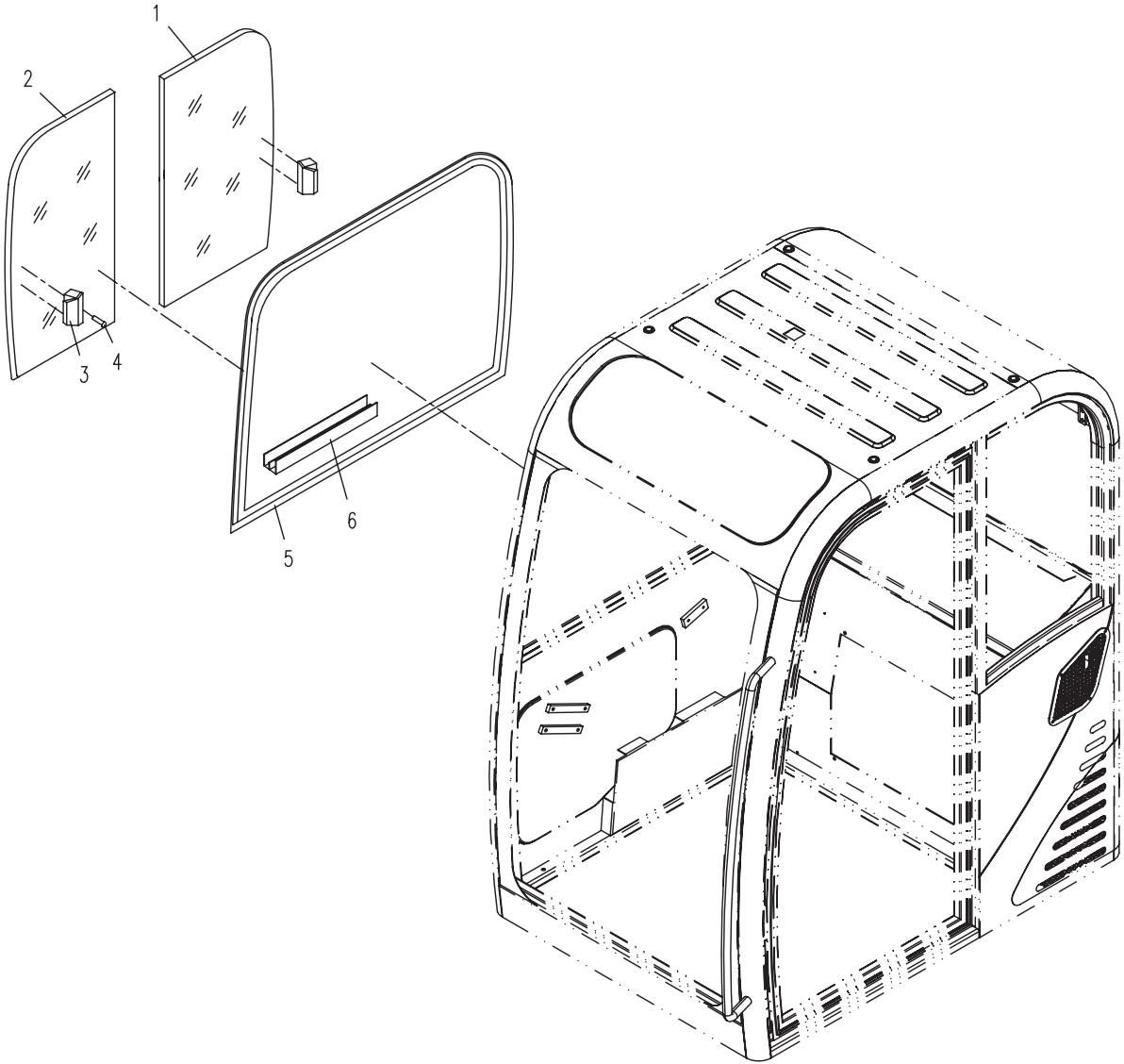
07.2.1 驾驶室组件 2 (适用850H01,850H02,850H03机型) CAB SUBASSEMBLY 2 (APPLY TO 850H01,850H02,850H03 TYPE)



07.3.1 驾驶室组件 3 (适用850H01,850H02,850H03机型) CAB SUBASSEMBLY 3 (APPLY TO 850H01,850H02,850H03 TYPE)

序号 No.	数量 Quantity	代号 Code	名称 Description		备注 Remark
	1	853D-0708000A	移动窗组件	Moving window subassembly	
1	1	853D-0708002	移动窗玻璃 II	Moving window glass II	
2	1	853D-0708001	移动窗玻璃 I	Moving window glass I	
3	2	830H-0708100	锁扣组件	Locking knob assembly	
4	4	M5×10 GB/T65	开槽圆柱头螺钉	Screw	8. 8-Zn. D
5	1	820-0706003	密封件	Rubber seal strip	
6	1	853D-0708003	铝合金外窗	Aluminium-alloy frame	

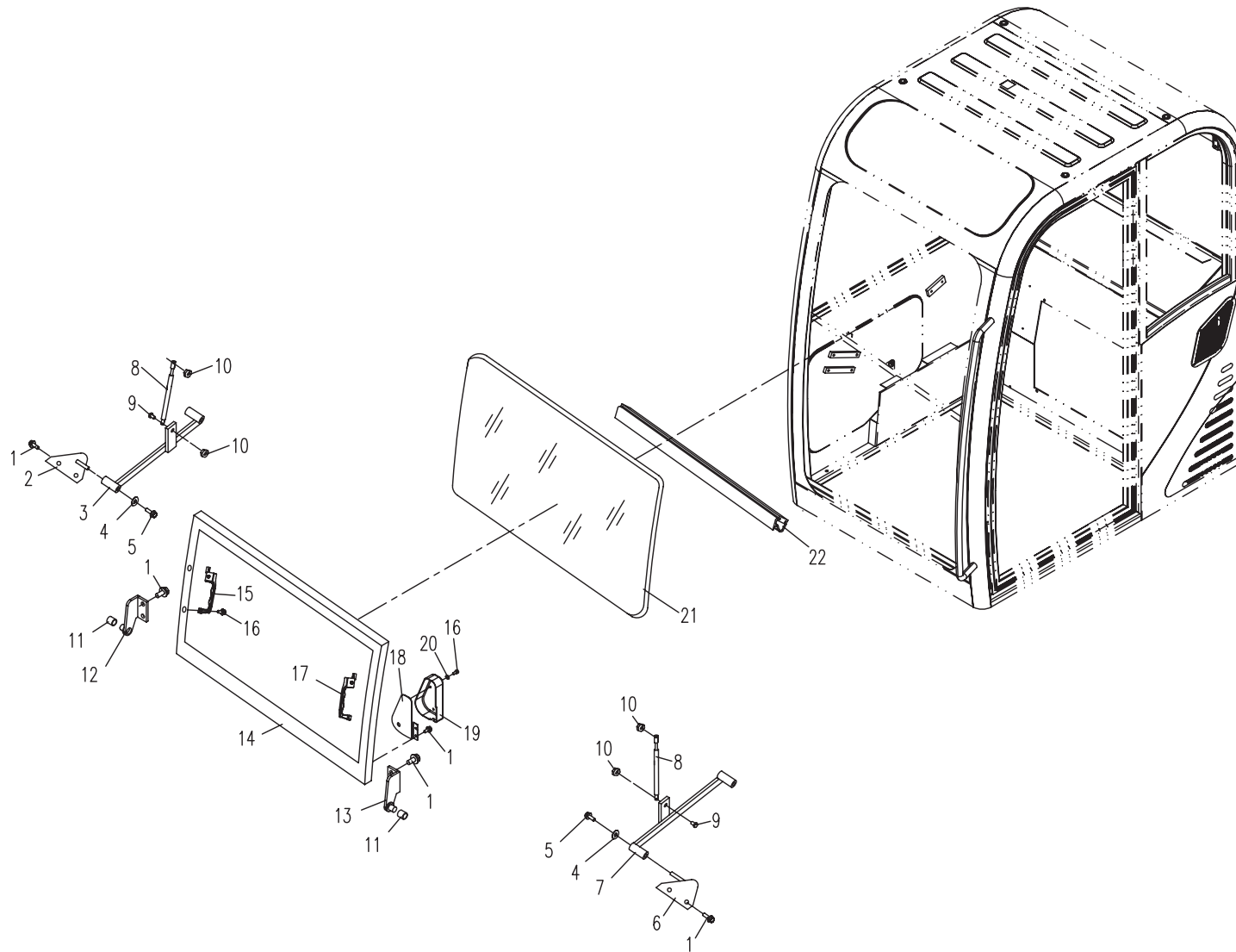
07.3.1 驾驶室组件 3 (适用850H01,850H02,850H03机型) CAB SUBASSEMBLY 3 (APPLY TO 850H01,850H02,850H03 TYPE)



07.4.1 驾驶室组件4(适用850H01,850H02,850H03机型) CAB SUBASSEMBLY 4 (APPLY TO 850H01,850H02,850H03 TYPE)

序号 No.	数量 Quantity	代号 Code	名称 Description		备注 Remark
1	10	M8×16 GB/T5789	六角法兰面螺栓	Bolt	8.8-氧化
2	1	830H-0702050	右摆杆支架	Bracket-RH	
3	1	830H-0705000	右摆杆	Right sinister	
4	2	8 GB/T96	大垫圈	Bigger washer	
5	2	M8×12 GB/T5789	六角法兰面螺栓	Bolt	8.8-达克罗
6	1	830H-0702010	左摆杆支架	Bracket-LH	
7	1	830H-0704000	左摆杆	Lift sinister	
8	2	830H-0700011	气弹簧	Pneumatic spring	
9	2	830H-0700013	气弹簧紧固销	Pin	
10	4	M8 GB/T6170	1型六角螺母	Nut	8-达克罗
11	2	830H-0702003	滑轮	Block	
12	1	830H-0702040	右滑轮支架	Block bracket-RH	
13	1	830H-0702030	左滑轮支架	Block bracket-LH	
14	1	853D-0702100	翻转窗主体	Overturn window frame	
15	1	830D-0700042	右扶手锁	Right handrail lock	
16	6	M6×12 GB/T2671.1	内六角螺钉	Bolt	8.8-氧化
17	1	830D-0700043	左扶手锁	Left handrail lock	
18	1	830H-0702020	雨刮电机固定板	Fixing plate	
19	1	830H-0702002	电机罩	Cover	
20	2	6 GB/T93	弹簧垫圈	Spring washer	
21	1	853D-0702001	翻转窗玻璃	Glass	
22	1	830H-0702004	翻转窗下胶条	Rubber cushion	

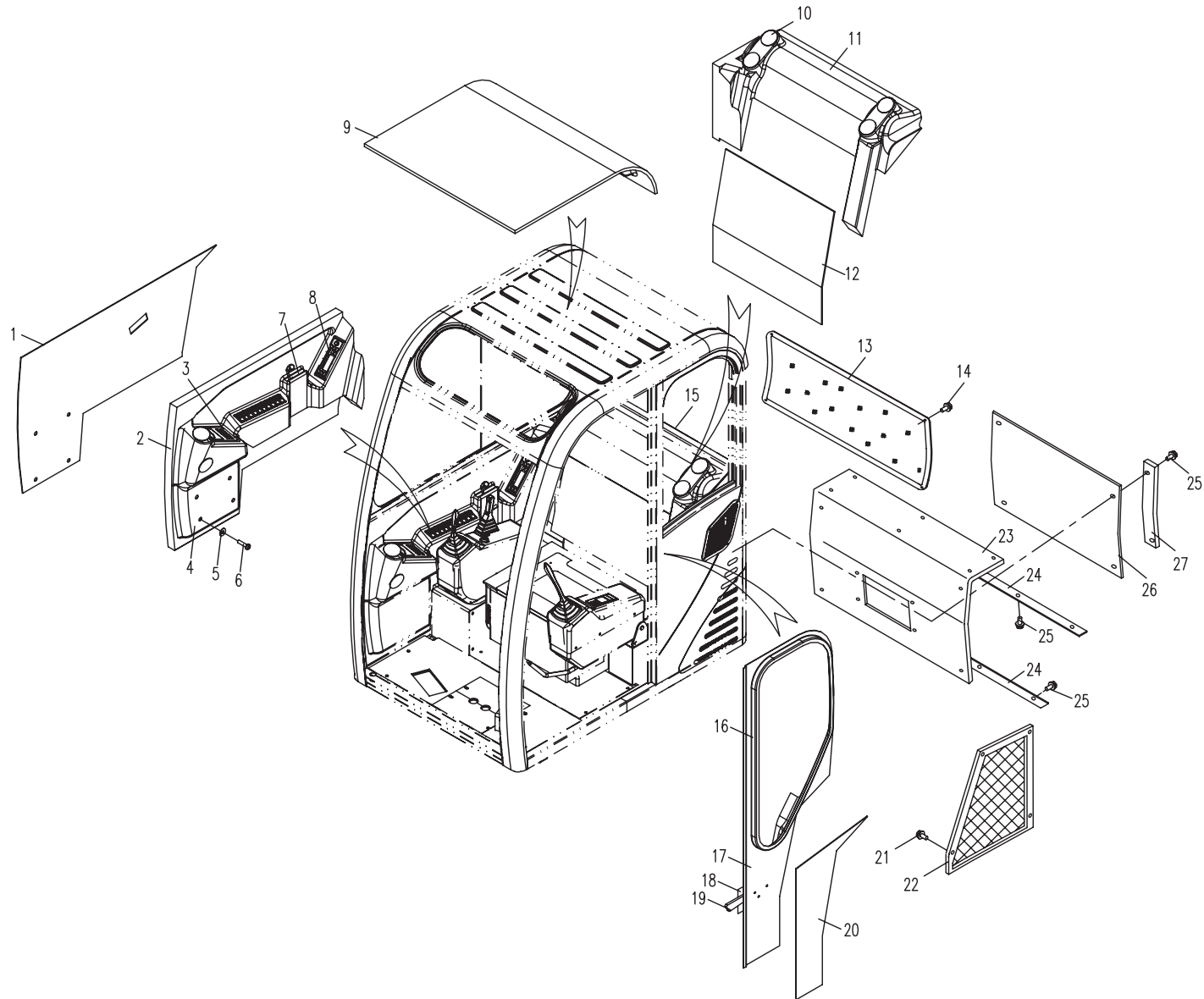
07.4.1 驾驶室组件4(适用850H01,850H02,850H03机型) CAB SUBASSEMBLY 4 (APPLY TO 850H01,850H02,850H03 TYPE)



07.5.1 驾驶室组件5(适用850H01,850H02机型) CAB SUBASSEMBLY 5 (APPLY TO 850H01,850H02 TYPE)

序号 No.	数量 Quantity	代号 Code	名称 Description		备注 Remark
1	1	830H-0700019	右侧隔热板	Adiabatic plate-RH	
2	1	830H-0706002	右侧内饰板	Inside plaque-RH	
3	1	830H-0706020	仪表盖板	Appearance cover	
4	1	830H-0706001	电器检修口盖板	Cover	
5	42	5 GB/T97.1	平垫圈	Washer	140HV-达克罗
6	42	ST4.8×22 GB/T845	十字槽盘头自攻螺钉	Bolt	8.8-达克罗
7	1	830H-0706003	油门盖板	Cover	
8	1	830H-0706030	收音机安装板	Radiogram bracket	
9	1	830H-0706008	顶棚	Inside plaque-UP	
10	6	830H-0706006	风口	Place with a draught	
11	1	830H-0706005	空调罩饰板	Air-condition cover	
12	1	830H-0706004	检修口封板	Examine and repair cover	
13	1	853D-0710000	后封板组件	Back cover	
14	4	M6×12 GB/T5789	六角法兰面螺栓	Bolt	8.8-达克罗
15	1	830H-0706007	后窗包板	Back window plaque	
16	1	830H-0706013	铝合金封边	Aluminium alloy plaque	
17	1	853D-0706009	左侧内饰板	Inside plaque-LH	
18	1	830H-0706011	盖板	Cover plate	
19	1	830H-0706012	门碰把手	Door handle	
20	1	830H-0700017	左侧隔热板	Adiabatic plate-LH	
21	4	M6×8 GB/T819.1	十字槽沉头螺钉	Bolt	8.8-达克罗
22	1	853D-0705000	进气滤网	Aiir inlet screen	
23	1	853D-0700007	隔热板	Adiabatic plate	
24	2	853D-0700004	压板	Clamp plate	
25	8	M8×20 GB/T5789	六角法兰面螺栓	Bolt	8.8-达克罗
26	1	830H-0700018	后侧隔热板	Adiabatic plate	
27	2	830H-0700014	压板	Clamp plate	

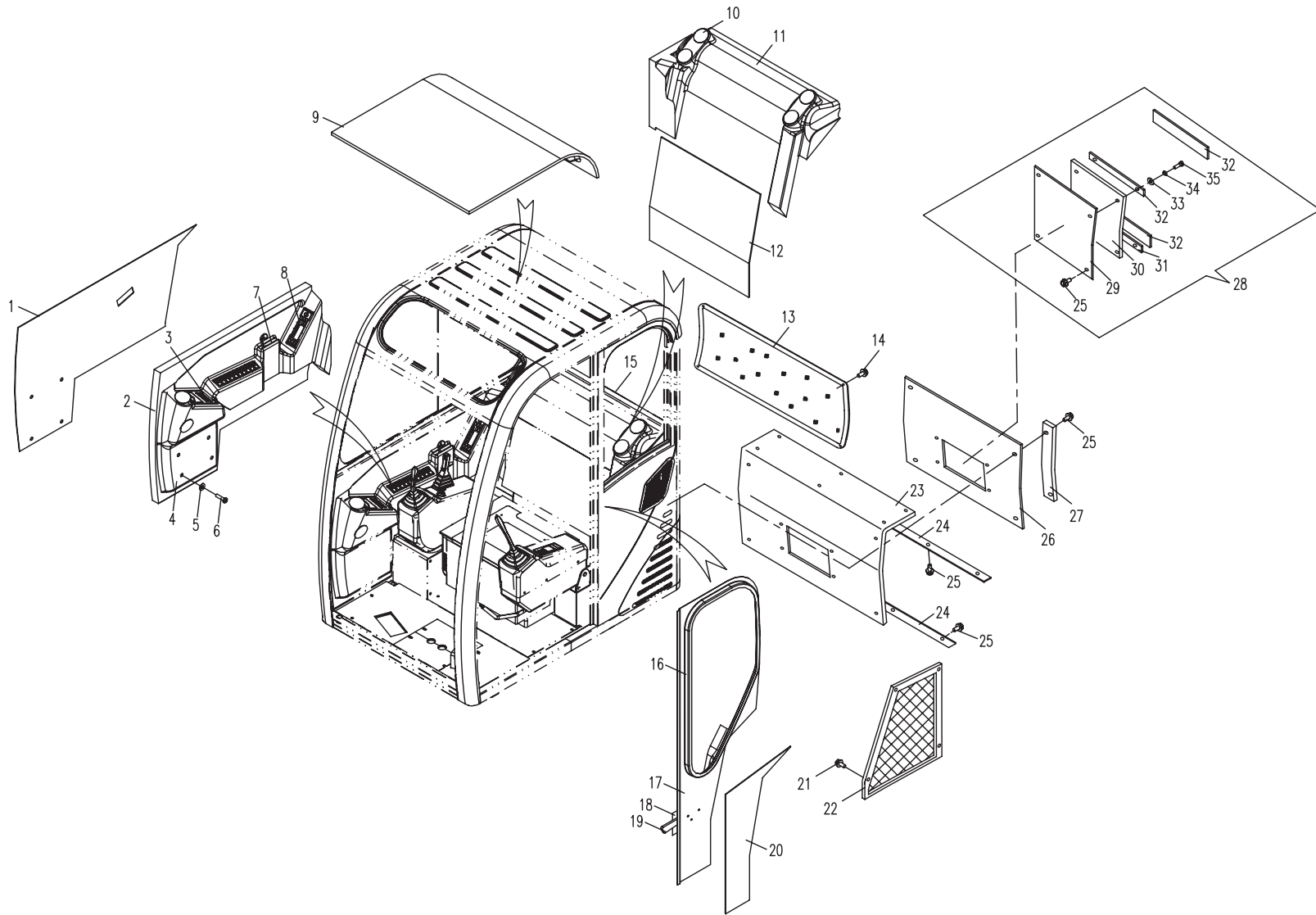
07.5.1 驾驶室组件5(适用850H01,850H02机型) CAB SUBASSEMBLY 5 (APPLY TO 850H01,850H02 TYPE)



07.5.2 驾驶室组件 5 (适用850H03机型) CAB SUBASSEMBLY 5 (APPLY TO 850H03 TYPE)

序号 No.	数量 Quantity	代号 Code	名称 Description		备注 Remark
1	1	830H-0700019	右侧隔热板	Adiabatic plate-RH	
2	1	830H-0706002	右侧内饰板	Inside plaque-RH	
3	1	830H-0706020	仪表盖板	Appearance cover	
4	1	830H-0706001	电器检修口盖板	Cover	
5	42	5 GB/T97.1	平垫圈	Washer	140HV-达克罗
6	42	ST4.8×22 GB/T845	十字槽盘头自攻螺钉	Bolt	8.8-达克罗
7	1	830H-0706003	油门盖板	Cover	
8	1	830H-0706030	收音机安装板	Radiogram bracket	
9	1	830H-0706008	顶棚	Inside plaque-UP	
10	6	830H-0706006	风口	Place with a draught	
11	1	830H-0706005	空调罩饰板	Air-condition cover	
12	1	830H-0706004	检修口封板	Examine and repair cover	
13	1	853D-0710000	后封板组件	Back cover	
14	4	M6×12 GB/T5789	六角法兰面螺栓	Bolt	8.8-达克罗
15	1	830H-0706007	后窗包板	Back window plaque	
16	1	830H-0706013	铝合金封边	Aluminium alloy plaque	
17	1	853D-0706009	左侧内饰板	Inside plaque-LH	
18	1	830H-0706011	盖板	Cover board	
19	1	830H-0706012	门碰把手	Door handle	
20	1	830H-0700017	左侧隔热板	Adiabatic plate-LH	
21	4	M6×8 GB/T819.1	十字槽沉头螺钉	Bolt	8.8-达克罗
22	1	853D-0705000	进气滤网	Aiir inlet screen	
23	1	830H-0700015	隔热板	Adiabatic plate	
24	2	830D-0700005A	压板 I	Clamp board I	
25	8	M8×20 GB/T5789	六角法兰面螺栓	Bolt	8.8-达克罗
26	1	830H-0700018	后侧隔热板	Adiabatic plate	
27	2	830H-0700014	压板	Clamp plate	
28	1	830D-0705000A	隔热盖板	Adiabatic board	

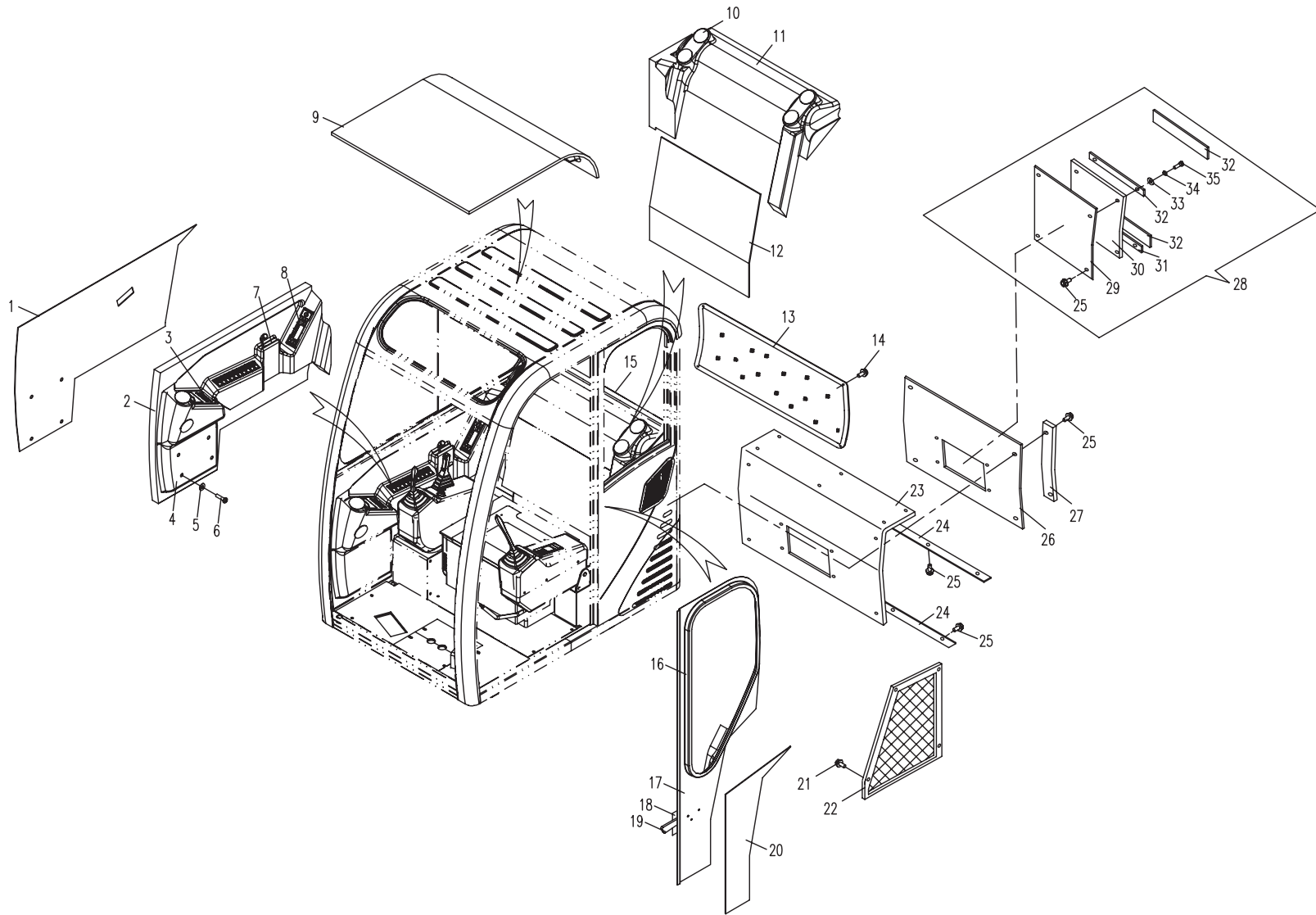
07.5.2 驾驶室组件 5 (适用850H03机型) CAB SUBASSEMBLY 5 (APPLY TO 850H03 TYPE)



07.5.2 驾驶室组件 5 (适用850H03机型) CAB SUBASSEMBLY 5 (APPLY TO 850H03 TYPE)

序号 No.	数量 Quantity	代号 Code	名称 Description		备注 Remark
29	1	830D-0705100B	盖板组件	Cover board groupware	
30	1	830D-0705001A	隔热板	Adiabatic board	
31	2	830D-0705002A	压板	Clamp board	
32	2	830D-0705003	封条III	Clamp board III	
33	4	6 GB/T96	大垫圈	Bigger washer	140HV-达克罗
34	4	6 GB/T93	弹簧垫圈	Spring washer	达克罗
35	4	M6×25 GB/T5783	六角头螺栓	Bolt	8.8-达克罗

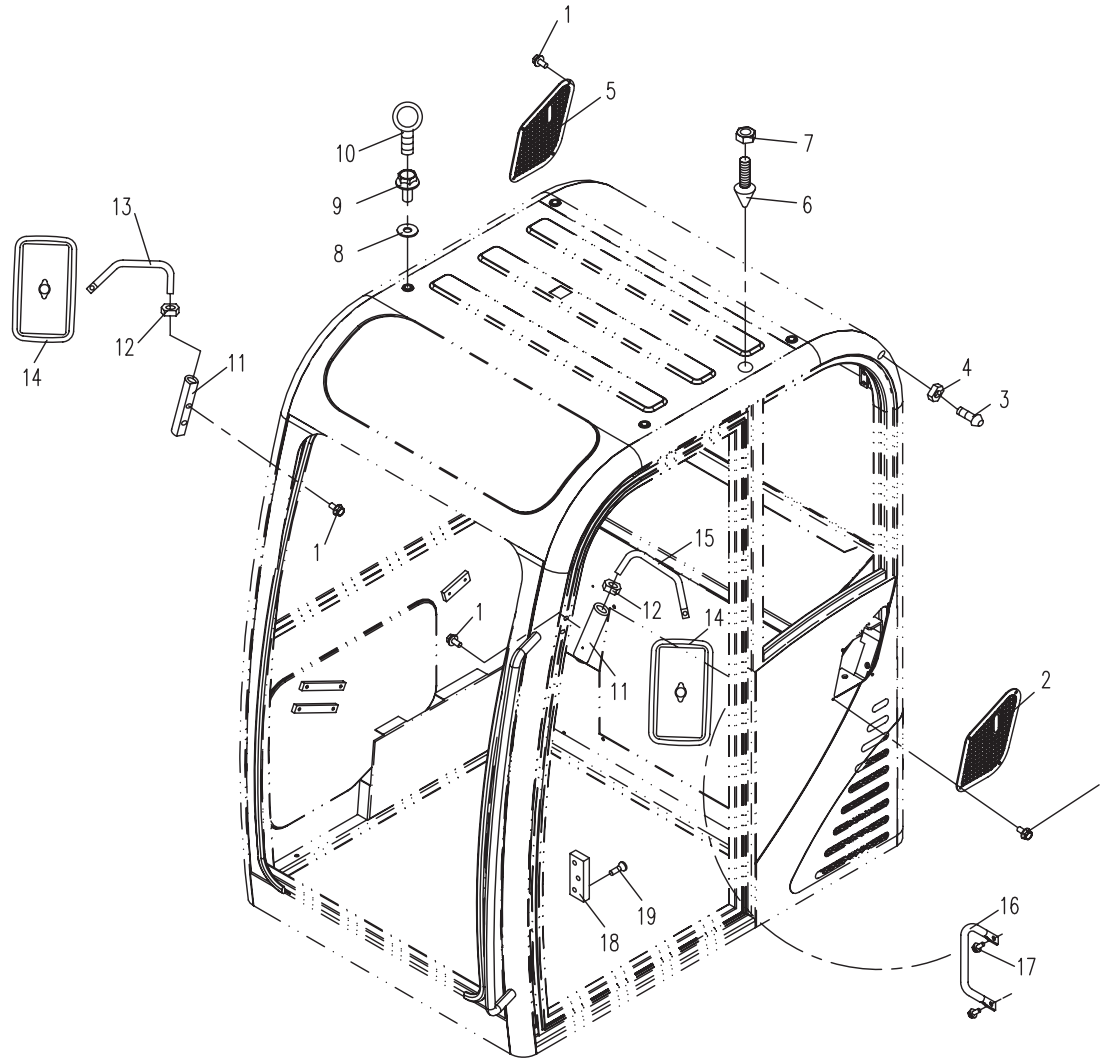
07.5.2 驾驶室组件 5 (适用850H03机型) CAB SUBASSEMBLY 5 (APPLY TO 850H03 TYPE)



07.6.1 驾驶室组件 6 (适用850H01,850H02,850H03机型) CAB SUBASSEMBLY 6 (APPLY TO 850H01,850H02,850H03 TYPE)

序号 No.	数量 Quantity	代号 Code	名称 Description		备注 Remark
1	12	M6×12 GB/T5789	六角法兰面螺栓	Bolt	8.8-达克罗
2	1	853D-0707000A	左侧盖板组件	Left cover assembly	
3	2	801-0704000	橡胶座	Rubber pedestal	
4	2	M10 GB/T 6170	1型六角螺母	Nut	8-达克罗
5	1	830D-0709000A	右侧盖板组件	Right cover assembly	
6	2	820-0703000	橡胶座	Rubber pedestal	
7	2	M12 GB/T 6170	1型六角螺母	Nut	8-达克罗
8	4	860-0700014	垫片	Washer	
9	4	M16×20 GB/T5789	六角法兰面螺栓	Bolt	8.8-达克罗
10	4	M16 GB/T825	吊环螺钉	Eye bolt	8.8-达克罗
11	2	830E-0700014	固定杆	Fixing Pole	
12	2	830E-0700012	锁紧螺母	Blocking nut	
13	1	830E-0700013	后视镜右支杆	Right bracket	
14	2	830E-0700003	后视镜	Rearview mirror	
15	1	830E-0700011	后视镜左支杆	Left bracket	
16	1	830H-0700007	内扶手	Armrest	
17	2	M8×35 GB/T5789	六角法兰面螺栓	Bolt	8.8-达克罗
18	1	810S-0700016	限位 II	Bumper	
19	3	M5×8 GB/T819.6	十字槽沉头螺钉	Bolt	8.8-达克罗

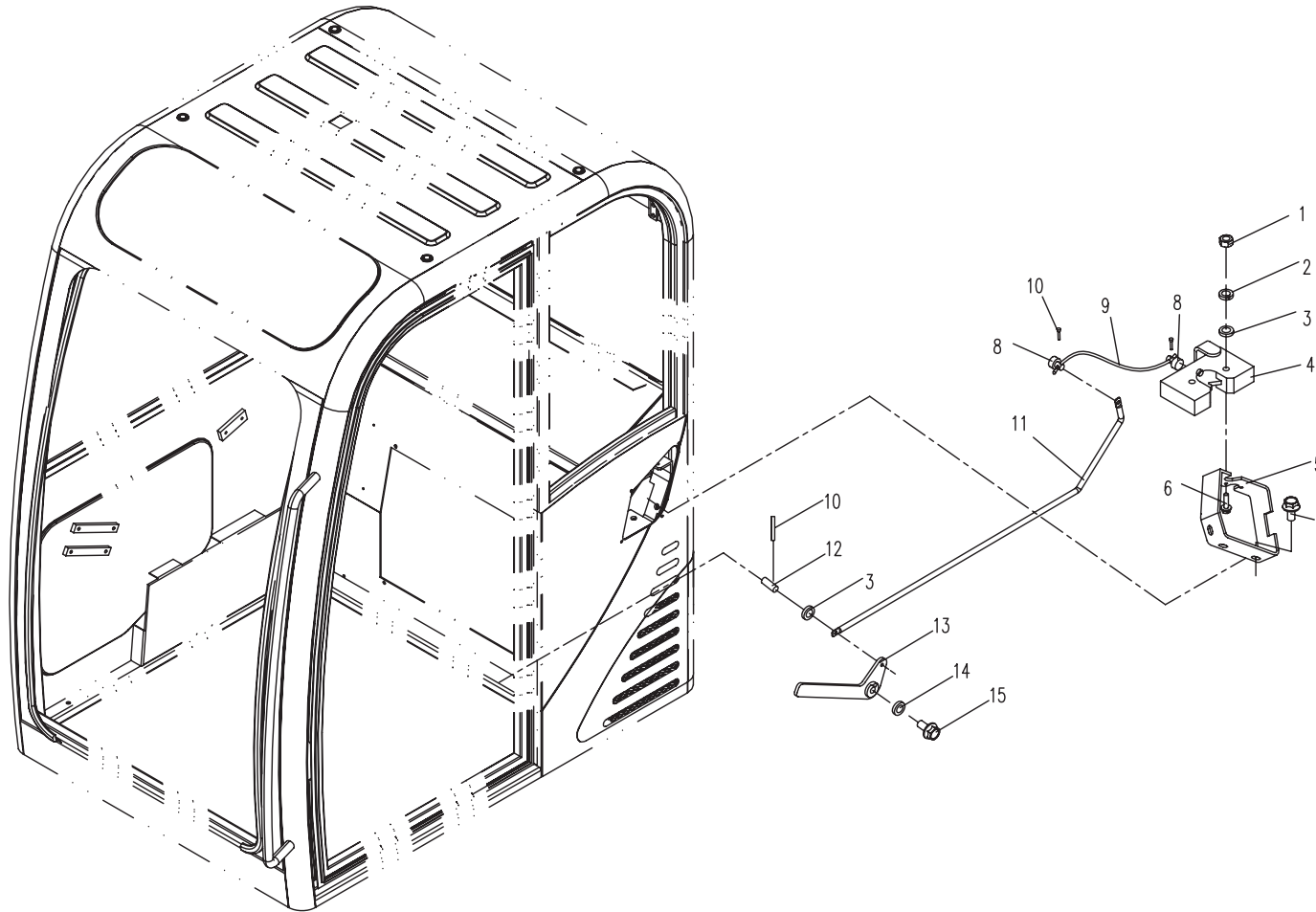
07.6.1 驾驶室组件 6 (适用850H01,850H02,850H03机型) CAB SUBASSEMBLY 6 (APPLY TO 850H01,850H02,850H03 TYPE)



07.7.1 驾驶室组件7(适用850H01,850H02,850H03机型) CAB SUBASSEMBLY 7 (APPLY TO 850H01,850H02,850H03 TYPE)

序号 No.	数量 Quantity	代号 Code	名称 Description		备注 Remark
1	2	M6 GB/T6170	1型六角螺母	Nut	8-达克罗
2	2	6 GB/T93	弹簧垫圈	Spring washer	140HV-达克罗
3	5	6 GB/T97.1	平垫圈	Washer	140HV-达克罗
4	1	860-0710000	门碰锁	Door steak lock	
5	1	853D-0700005A	门碰锁支架	Door steak lock frame	
6	2	M6×35 GB/T5789	六角法兰面螺栓	Bolt	8.8-达克罗
7	3	M10X20 GB/T5789	六角法兰面螺栓	Bolt	8.8-达克罗
8	2	860-1209008	软轴固定销	Fleible axes pin	
9	1	830D-0700015A	拉杆 II	Draw pole II	
10	3	φ 1.6×12 GB/T91	开口销	Cotter pin	达克罗
11	1	830H-0700004	拉杆	Draw pole	
12	1	φ 6×12 GB/T882	销轴	Pin shaft	达克罗
13	1	830H-0700003	手柄	Handlebar	
14	1	8 GB/T96	大垫圈	Bigger washer	140HV-达克罗
15	1	M8×12 GB/T5789	六角法兰面螺栓	Bolt	8.8-达克罗

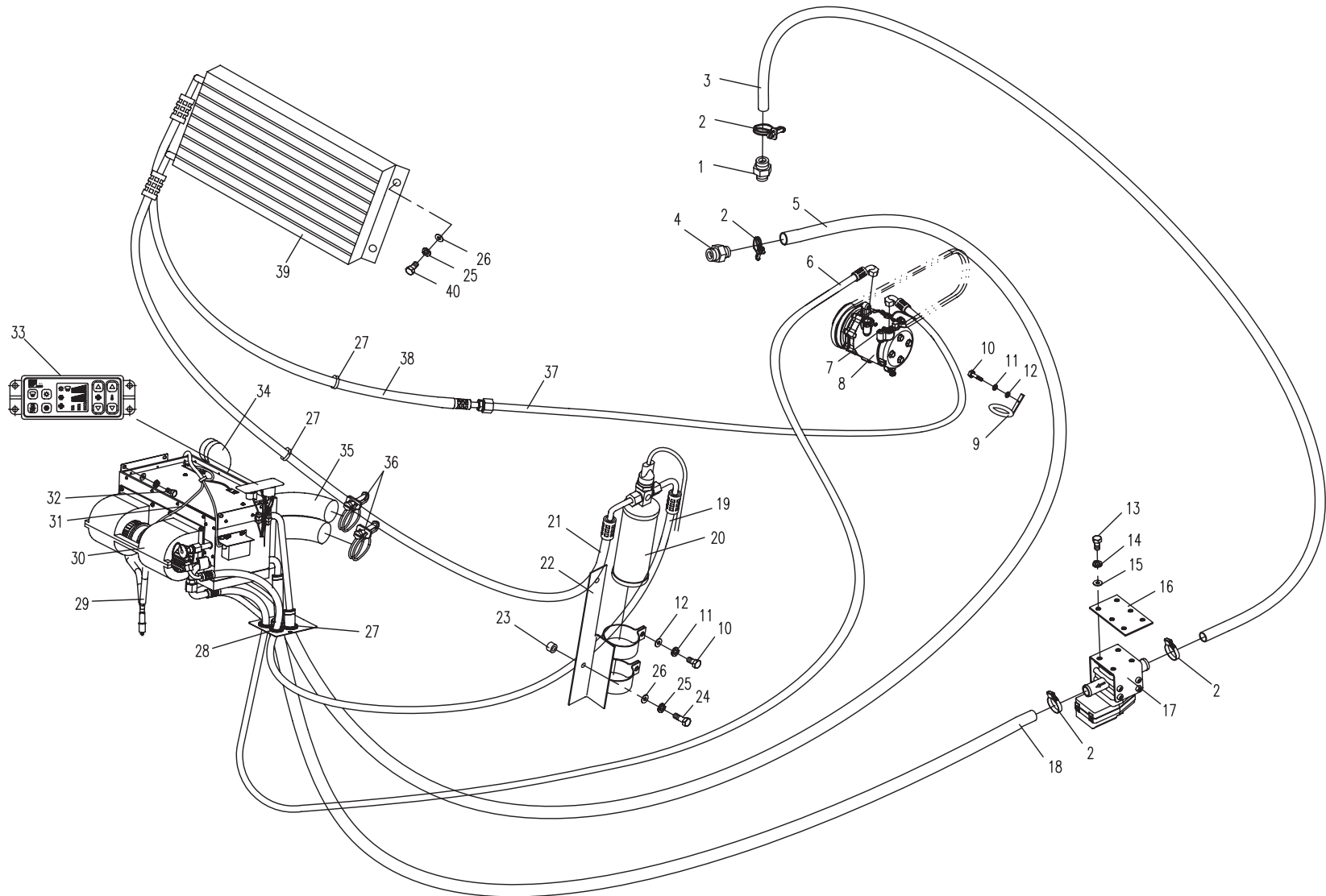
07.7.1 驾驶室组件7(适用850H01,850H02,850H03机型) CAB SUBASSEMBLY 7 (APPLY TO 850H01,850H02,850H03 TYPE)



08.1.1 空调系统(适用850H01机型) AIR-CONDITION SYSTEM (APPLY TO 850H01 TYPE)

序号 No.	数量 Quantity	代号 Code	名称 Description		备注 Remark
1	1	850-0800004	管接头	Joint	
2	4	d24 Q672	双钢丝式环箍	Hoop	Zn. D
3	1	850-0800001	暖水管 I	Warm water pipe I	
4	1	860B-0800001	暖水管接头	Joint	
5	1	830H-0820005	暖水管	Warm water pipe	
6	1	830H-0820004	吸气软管总成	Inspiration pipe assembly	
7	2	M8×35 GB/T5789	六角法兰面螺栓	Bolt	8. 8-Zn. D
8	1	830H-0820200	压缩机总成	Compressor assembly	
9	1	850-0801002	管夹	Pipe clamp	
10	1	M6×30 GB/T5783	六角头螺栓	Bolt	8. 8-Zn. D
11	1	6 GB/T93	弹簧垫圈	Spring washer	Zn. D
12	1	6 GB/T97. 1	垫圈	Washer	Zn. D
13	1	M5×16 GB/T5783	六角头螺栓	Bolt	8. 8-Zn. D
14	1	5 GB/T93	弹簧垫圈	Spring washer	Zn. D
15	1	5 GB/T97. 1	垫圈	Washer	Zn. D
16	1	830L-0820001	暖水阀安装板	Bracket	
17	1	860G-0801200	热水流量控制器组件	Flux control hot water	
18	1	858-0800002	进水管II	Water pipe II	
19	1	850-0801300	干燥瓶出口管总成	Desiccator exit pipe	
20	1	830D-0801600	干燥瓶总成	Desiccator assembly	
21	1	830H-0820003	冷凝器出口管总成	Desiccator exit pipe	
22	1	830D-0807000	支架组件	Bracket	
23	2	850-0800003	圆垫	Washer	
24	1	M8×50 GB/T5783	六角头螺栓	Bolt	8. 8-Zn. D
25	1	8 GB/T93	弹簧垫圈	Spring washer	Zn. D
26	1	8 GB/T97. 1	垫圈	Washer	Zn. D
27	5	830D-0801001	大密封圈	Seal ring	
28	1	830D-0801006	胶管密封圈	Seal ring	

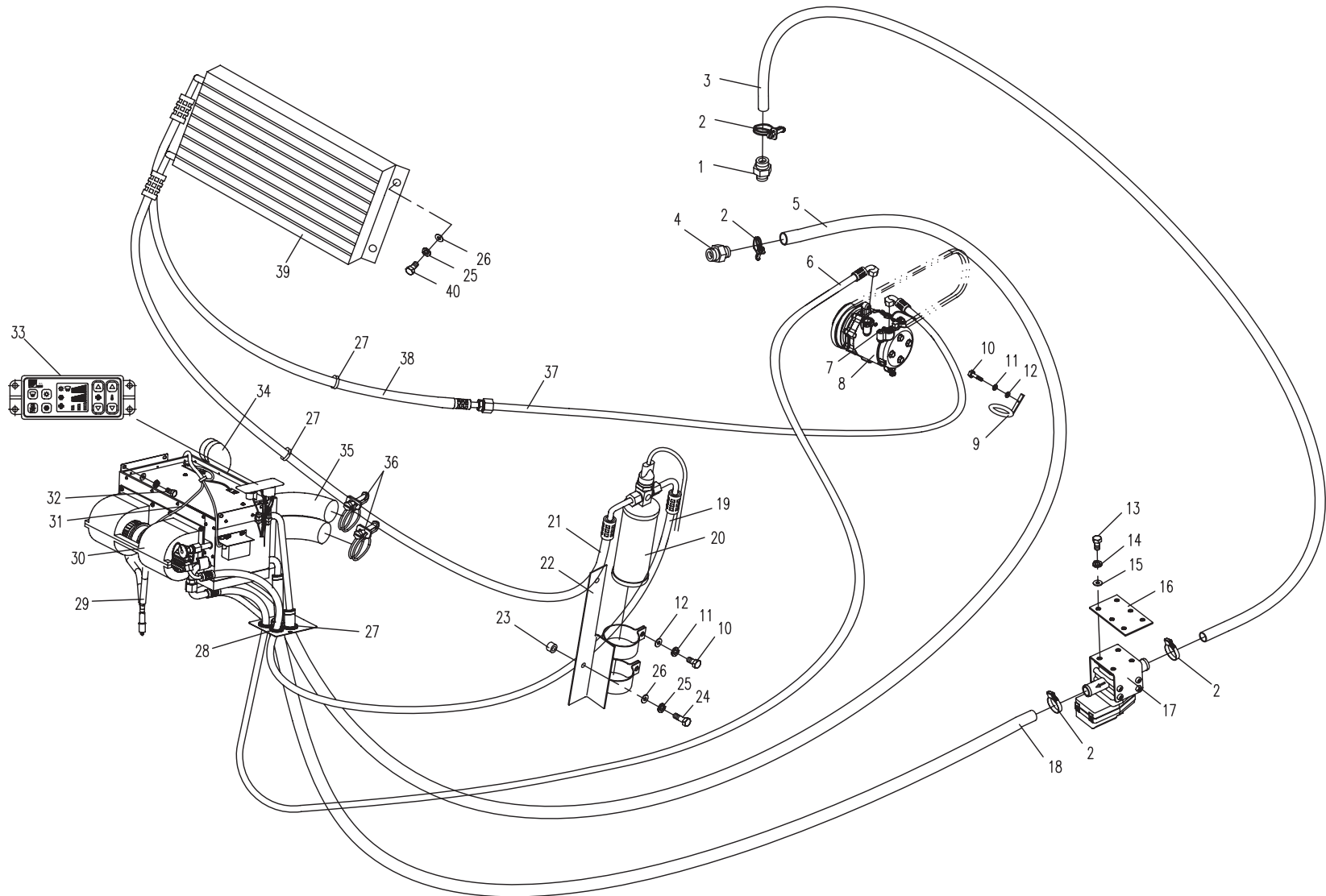
08.1.1 空调系统(适用850H01机型) AIR-CONDITION SYSTEM (APPLY TO 850H01 TYPE)



08.1.1 空调系统(适用850H01机型) AIR-CONDITION SYSTEM (APPLY TO 850H01 TYPE)

序号 No.	数量 Quantity	代号 Code	名称 Description		备注 Remark
29	1	830H-0820600	排水胶管组件	Drainpipe subassembly	
30	1	830H-0820300	空调箱总成	Air-condition box assembly	
31	1	830H-0820500	空调线束总成	Air-condition cable	
32	4	M6×20 GB/T5783	六角头螺栓	Bolt	8. 8-Zn. D
33	1	830H-0820400	操纵器	Manipulator	
34	1	830D-0801003	右风管	Right air pipe	
35	1	830D-0801005	左风管	Left air pipe	
36	8	d60 JB/T8870	双钢丝式环箍	Hoop	Zn. D
37	1	830H-0820002	排气软管总成	Vent-pipe assembly	
38	1	830H-0820001	冷凝器入口管总成	Condenser intake pipe	
39	1	830H-0820100	冷凝器总成	Condenser assembly	
40	4	M8×20 GB/T5783	六角头螺栓	Bolt	8. 8-Zn. D

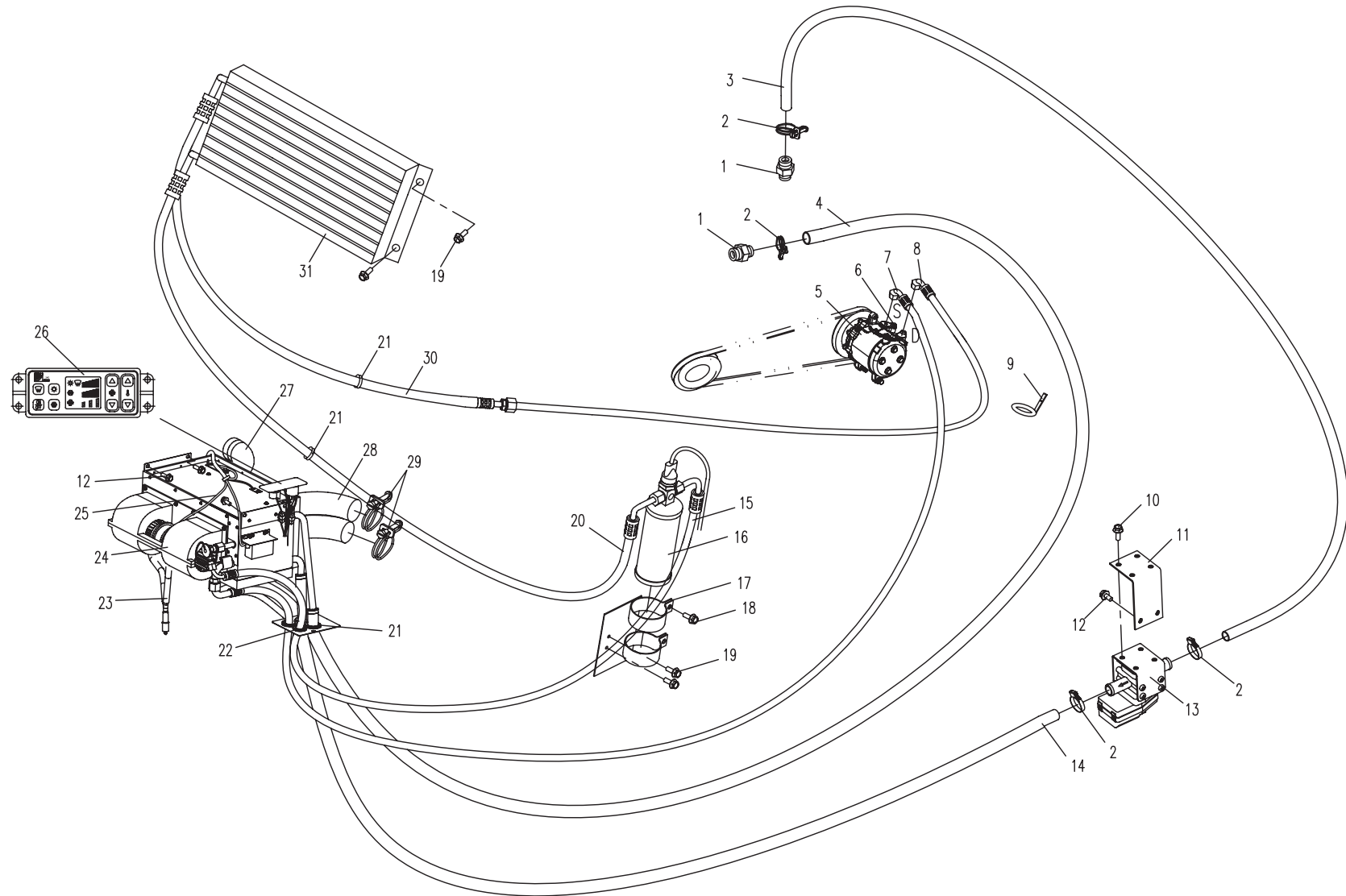
08.1.1 空调系统(适用850H01机型) AIR-CONDITION SYSTEM (APPLY TO 850H01 TYPE)



08.1.2 空调系统(适用850H02,850H03机型) AIR-CONDITION SYSTEM(APLLY TO 850H02,850H03 TYPE)

序号 No.	数量 Quantity	代号 Code	名称 Description		备注 Remark
1	2	820-0912004	管接头	Joint	
2	4	d24 Q672	双钢丝式环箍	Hoop	Zn. D
3	1	858-0800001	进水管 I	Water pipe I	
4	1	858-0800003	回水管	Water pipe	
5	1	830H-0820200	压缩机总成	Compressor assembly	
6	2	M8×25 GB/T5789	六角法兰面螺栓	Bolt	8.8-达克罗
7	1	853D-0802000	吸气软管总成	Inspiration pipe assembly	
8	1	830H-0820002	排气软管总成	Vent-pipe assembly	
9	1	850-0801002	管夹	Pipe clamp	
10	4	M5×12 GB/T5789	六角法兰面螺栓	Bolt	8.8-达克罗
11	1	830L-0820001	暖水阀安装板	Bracket	
12	6	M6×20 GB/T5789	六角法兰面螺栓	Bolt	8.8-达克罗
13	1	860G-0801200	热水流量控制器组件	Flux control hot water	
14	1	858-0800002	进水管II	Water pipe II	
15	1	850-0801300	干燥瓶出口管总成	Desiccator exit pipe	
16	1	830D-0801600	干燥瓶总成	Desiccator assembly	
17	1	853D-0800050	支架组件	Bracket	
18	2	M6×30 GB/T5789	六角法兰面螺栓	Bolt	8.8-达克罗
19	2	M8×20 GB/T5789	六角法兰面螺栓	Bolt	8.8-达克罗
20	1	830H-0820003	冷凝器出口管总成	Desiccator exit pipe	
21	5	830D-0801001	大密封圈	Seal ring	
22	1	830D-0801006	胶管密封圈	Seal ring	
23	1	830H-0820600	排水胶管组件	Drainpipe subassembly	
24	1	830H-0820300	空调箱总成	Air-condition box assembly	
25	1	830H-0820500	空调线束总成	Air-condition cable	
26	1	830H-0820400	操纵器	Manipulator	
27	1	830D-0801003	右风管	Right air pipe	
28	1	830D-0801005	左风管	Left air pipe	

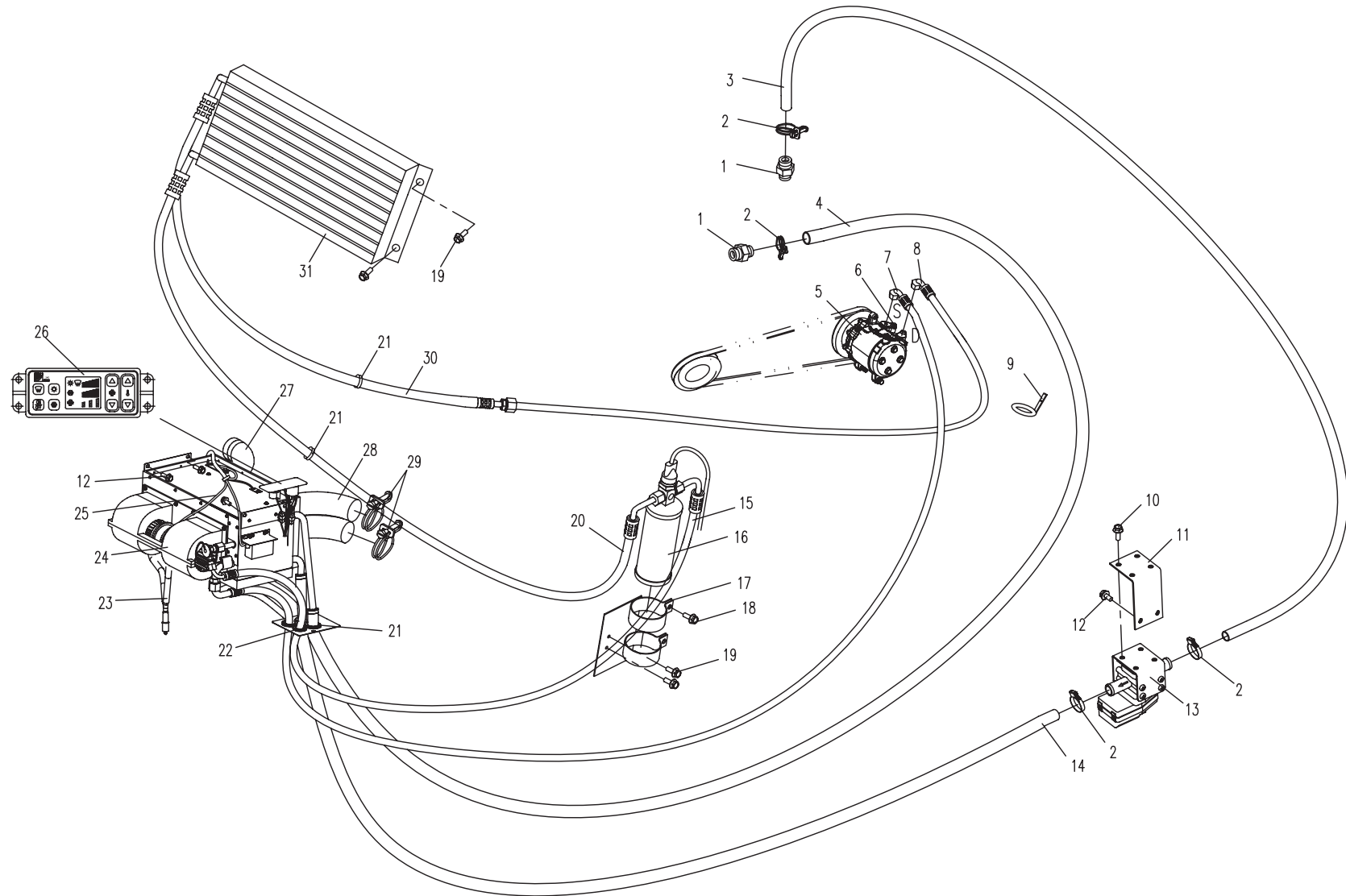
08.1.2 空调系统(适用850H02,850H03机型) AIR-CONDITION SYSTEM(APPLY TO 850H02,850H03 TYPE)



08.1.2 空调系统(适用850H02,850H03机型) AIR-CONDITION SYSTEM(APLLY TO 850H02,850H03 TYPE)

序号 No.	数量 Quantity	代号 Code	名称 Description		备注 Remark
29	8	d55 Q672	双钢丝式环箍	Hoop	Zn. D
30	1	830H-0820001	冷凝器入口管总成	Condenser intake pipe	
31	1	830H-0820100	冷凝器总成	Condenser assembly	

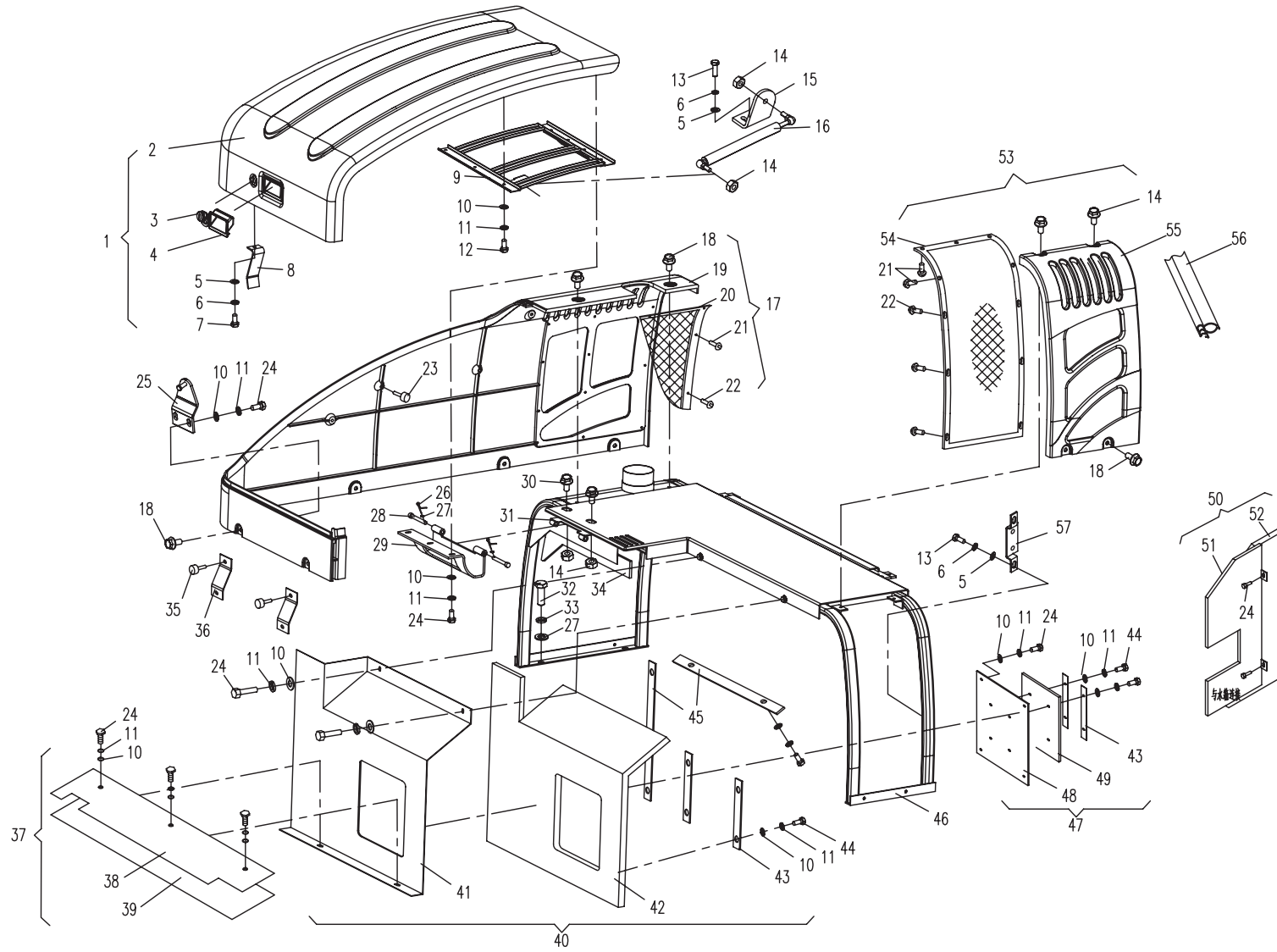
08.1.2 空调系统(适用850H02,850H03机型) AIR-CONDITION SYSTEM(APPLY TO 850H02,850H03 TYPE)



09.1.1 框架组件(适用850H01机型) COVER FRAME MODULE (APPLY TO 850H01 TYPE)

序号 No.	数量 Quantity	代号 Code	名称 Description		备注 Remark
1	1	853D-0902000A	前盖板	Front cover	包括序号2,4~12(Include No.2,4~12)
2	1	853D-0902001A	前盖板体	Front cover body	
3	1	858-0901005	罩盖锁	Lock	
4	1	853D-0900004	把手	Handle	
5	5	6 GB/T97.1	平垫圈	Washer	Zn.D
6	5	6 GB/T93	弹簧垫圈	Spring washer	Zn.D
7	1	M6×12 GB/T5783	六角头螺栓	Bolt	8.8-Zn.D
8	1	853D-0902002A	限位支架	Limit bracket	
9	1	853D-0902100B	内框架	Inside frame	
10	20	8 GB/T97.1	平垫圈	Washer	Zn.D
11	20	8 GB/T 93	弹簧垫圈	Spring washer	Zn.D
12	7	M8×16 GB/T5783	六角头螺栓	Bolt	8.8-Zn.D
13	4	M6×16 GB/T5783	六角头螺栓	Bolt	8.8-Zn.D
14	2	M8 GB/T6170	1型六角螺母	Nut	8-Zn.D
15	1	853D-0900003B	连接板	Joining plate	
16	1	853D-0900002A	气弹簧	Air spring	
17	1	853D-0904000A	右盖板	Right cover	包括序号18~22(Include No.18~22)
18	12	M8×20 GB/T5789	六角法兰面螺栓	Bolt	8.8-达克罗
19	1	853D-0904001A	右盖板体	Right cover body	
20	1	853D-0904100A	滤网	Screen	
21	10	M6×12 GB/T6563	六角自攻锁紧螺钉	Bolt	8.8-Zn.D
22	21	M6 GB/T947	开槽球面大圆柱头螺钉	Bolt	8.8-Zn.D
23	1	818B-0608000	螺钉帽	Bolt cap	
24	14	M8×20 GB/T5783	六角头螺栓	Bolt	8.8-Zn.D
25	1	853D-0908000	锁扣	Lock buckle	
26	2	3.2×20 GB/T91	开口销	Cotter pin	
27	6	10 GB/T97.1	平垫圈	Washer	
28	2	853D-0900009	销轴	Shaft pin	

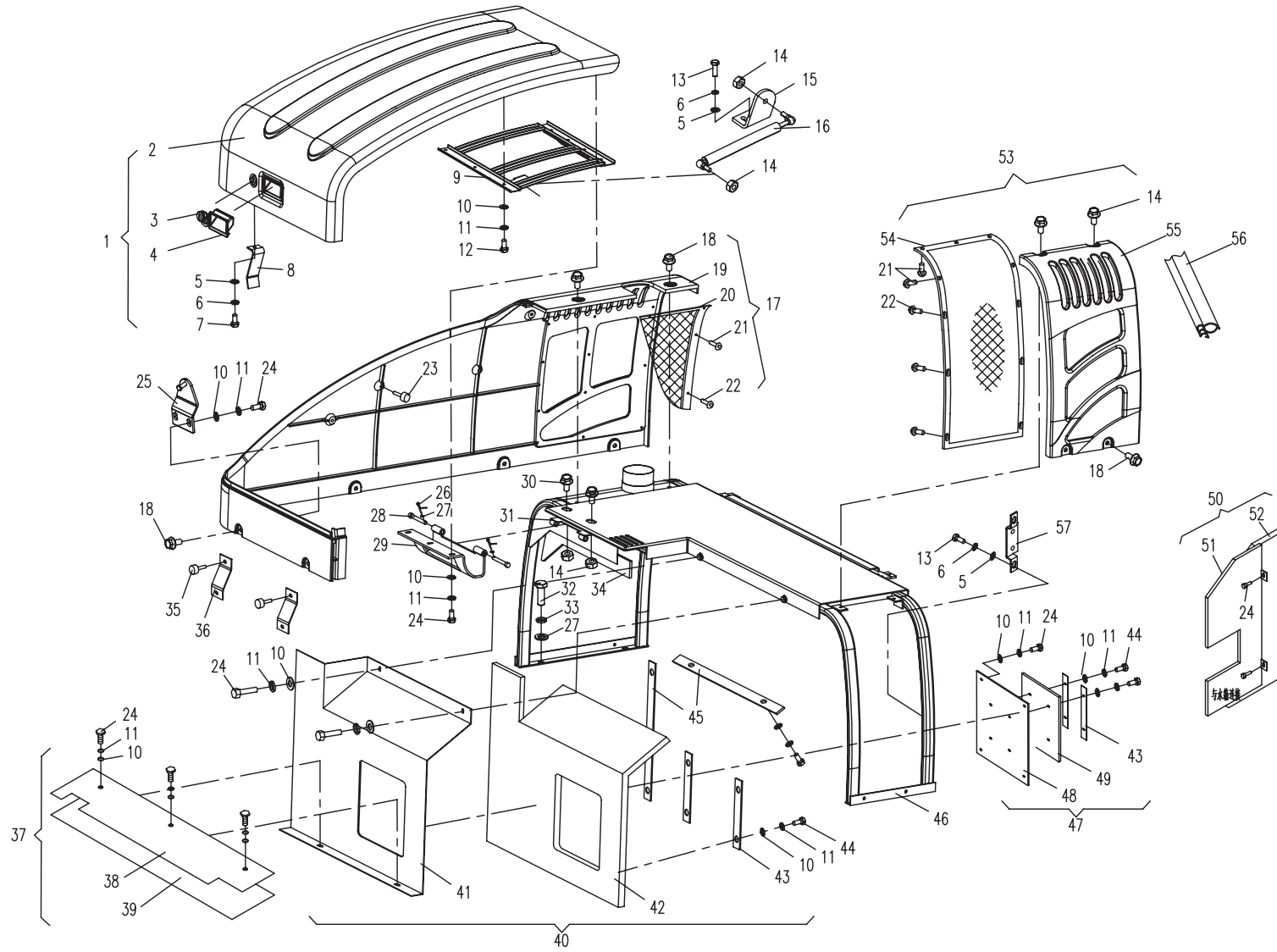
09.1.1 框架组件(适用850H01机型) COVER FRAME MODULE (APPLY TO 850H01 TYPE)



09.1.1 框架组件(适用850H01机型) COVER FRAME MODULE (APPLY TO 850H01 TYPE)

序号 No.	数量 Quantity	代号 Code	名称 Description		备注 Remark
29	1	853D-0905000A	铰链	Gemel	
30	2	M10×25 GB/T5789	六角法兰面螺栓	Bolt	8.8-达克罗
31	1	853D-0906000A	铰链座	Gemel seat	
32	4	M10×30 GB/T5783	六角头螺栓	Bolt	8.8-Zn.D
33	4	10 GB/T93	弹簧垫圈	Spring washer	Zn.D
34	1	853D-0900001	隔热板	Heat insulation	
35	2	810-1500003	螺钉帽	Bolt cap	
36	2	853D-0900005	弯板	Curve plate	
37	1	850-0905000	平台隔热板	Clapboard	包括序号38,39(Include No.38,39)
38	1	850-0905001	海绵隔板	Sponge clapboard	
39	1	850-0905002	下隔板	Lower clapboard	
40	1	853D-0907000A	隔热板	Heat insulation subassembly	包括序号41~45(Include No.41~45)
41	1	853D-0907100A	隔板	Clapboard	
42	1	853D-0907001A	海绵板	Sponge	
43	4	850-0904005	短压板	Short plate	
44	12	M8×25 GB/T5783	六角头螺栓	Bolt	8.8-Zn.D
45	2	850-0904004	长压板	Long plate	
46	1	853D-0901000B	罩框焊件	Cover frame	
47	1	850-0911000	盖板组件	Cover subassembly	包括序号48,49(Include No.48,49)
48	1	850-0911010	盖板	Cover	
49	1	850-0911001	海绵板	Sponge	
50	1	850-0909000	水箱隔热板	Heat insulation	包括序号51,52(Include No.51,52)
51	1	850-0909002	隔板	Heat insulation	
52	1	850-0909001	海绵板	Fixing plate	8.8-Zn.D
53	1	853D-0903000A	左盖板	Left cover	包括序号54~56(Include No.54~56)
54	1	853D-0903100A	滤网	Screen	
55	1	853D-0903001A	左盖板体	Left cover body	
56	1	853D-0903002A	密封胶条	Seal rubber	
57	1	850-0912000	平衡罐支架	Bracket	

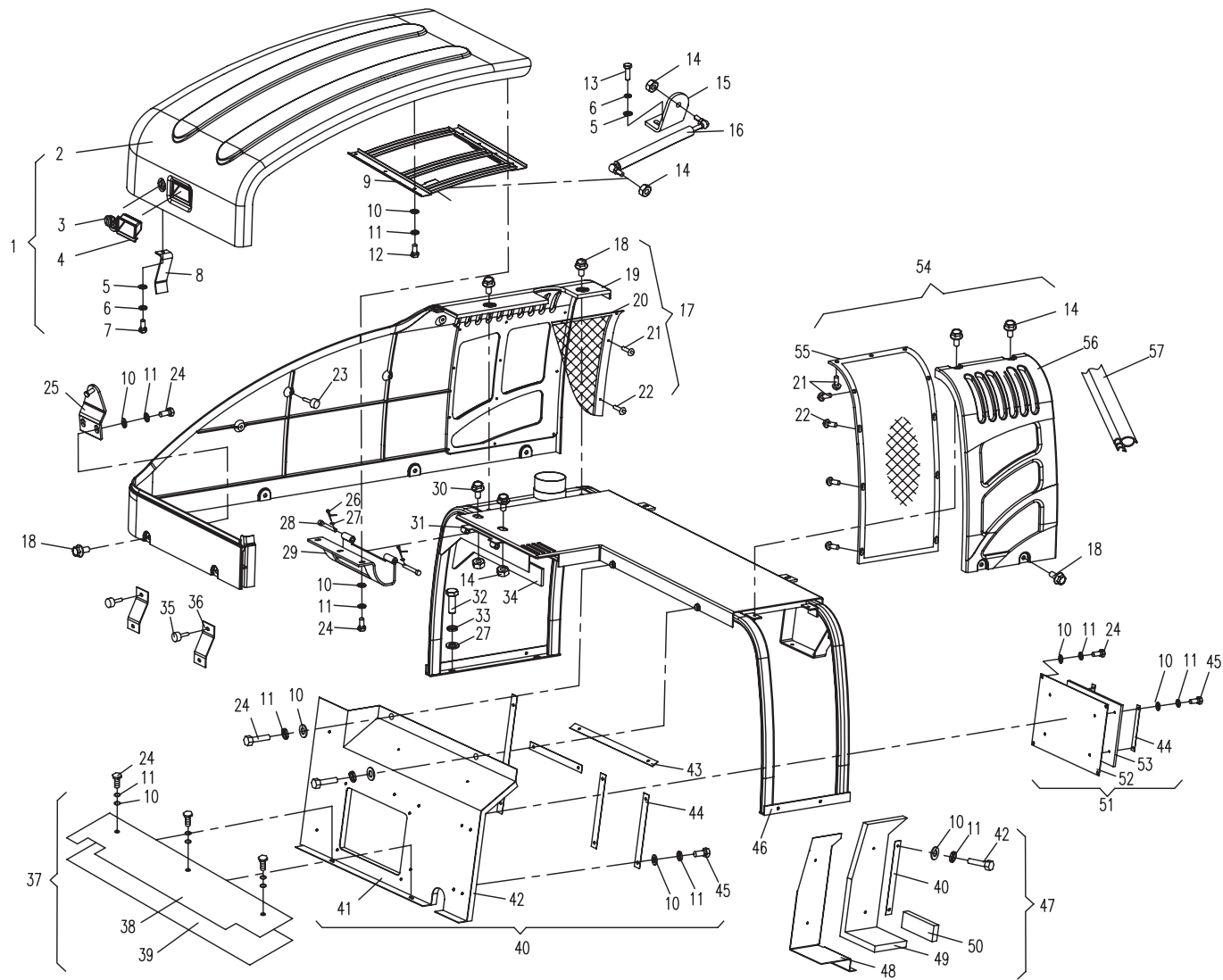
09.1.1 框架组件(适用850H01机型) COVER FRAME MODULE (APPLY TO 850H01 TYPE)



09.1.2 框架组件(适用850H02,850H03机型) COVER FRAME MODULE(APPLY TO 850H02,850H03 TYPE)

序号 No.	数量 Quantity	代号 Code	名称 Description		备注 Remark
1	1	853D-0902000A	前盖板	Front cover	包括序号2,4~12(Include No.2,4~12)
2	1	853D-0902001A	前盖板体	Front cover body	
3	1	858-0901005	罩盖锁	Lock	
4	1	853D-0900004	把手	Handle	
5	3	6 GB/T97.1	平垫圈	Washer	Zn.D
6	3	6 GB/T93	弹簧垫圈	Spring washer	Zn.D
7	1	M6X12 GB/T5783	六角头螺栓	Bolt	8.8-Zn.D
8	1	853D-0902002A	限位支架	Limit bracket	
9	1	853D-0902100B	内框架	Inside frame	
10	39	8 GB/T97.1	平垫圈	Washer	Zn.D
11	39	8 GB/T 93	弹簧垫圈	Spring washer	Zn.D
12	7	M8X16 GB/T5783	六角头螺栓	Bolt	8.8-Zn.D
13	2	M6X16 GB/T5783	六角头螺栓	Bolt	8.8-Zn.D
14	2	M8 GB/T6170	1型六角螺母	Nut	8-Zn.D
15	1	853D-0900003B	连接板	Joining plate	
16	1	853D-0900002A	气弹簧	Air spring	
17	1	853D-0904000A	右盖板	Right cover	包括序号18~22(Include No.18~22)
18	12	M8X20 GB/T5789	六角法兰面螺栓	Bolt	8.8-达克罗
19	1	853D-0904001A	右盖板体	Right cover body	
20	1	853D-0904100A	滤网	Screen	
21	10	M6×12 GB/T6563	六角自攻锁紧螺钉	Bolt	8.8-Zn.D
22	21	M6 GB/T947	开槽球面大圆柱头螺钉	Bolt	8.8-Zn.D
23	1	818B-0608000	螺钉帽	Bolt cap	
24	20	M8X20 GB/T5783	六角头螺栓	Bolt	8.8-Zn.D
25	1	853D-0908000	锁扣	Lock buckle	
26	2	3.2X20 GB/T91	开口销	Cotter pin	
27	6	10 GB/T97.1	平垫圈	Washer	
28	2	10X120 GB/T882B	销轴	Shaft pin	

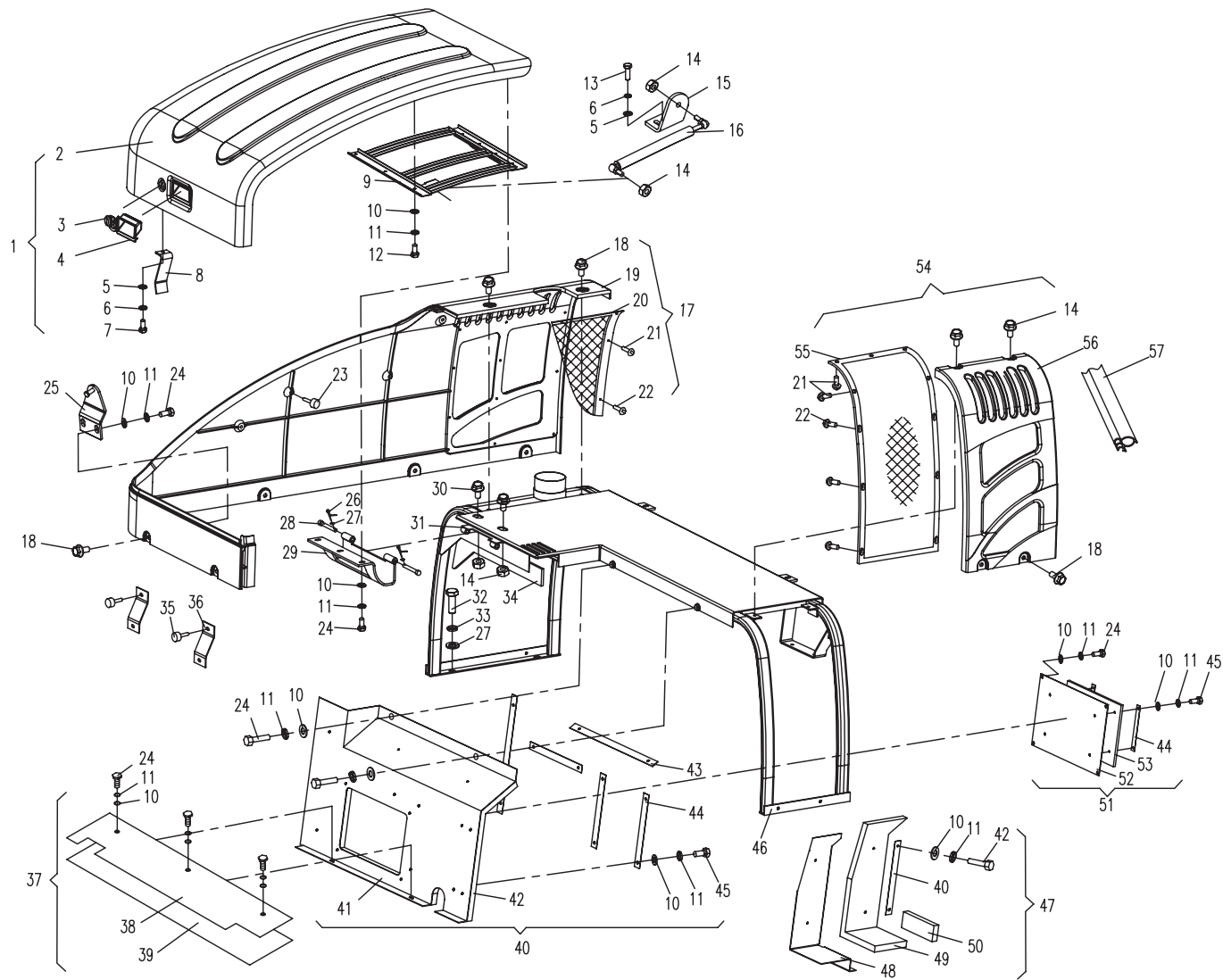
09.1.2 框架组件(适用850H02,850H03机型) COVER FRAME MODULE(APPLY TO 850H02,850H03 TYPE)



09.1.2 框架组件(适用850H02,850H03机型) COVER FRAME MODULE(APPLY TO 850H02,850H03 TYPE)

序号 No.	数量 Quantity	代号 Code	名称 Description		备注 Remark
29	1	853D-0905000A	铰链	Gemel	
30	2	M10×25 GB/T5789	六角法兰面螺栓	Bolt	8.8-达克罗
31	1	853D-0906000A	铰链座	Gemel seat	
32	4	M10X25 GB/T5783	六角头螺栓	Bolt	8.8-Zn.D
33	4	10 GB/T93	弹簧垫圈	Spring washer	Zn.D
34	1	853D-0900001	隔热板	Heat insulation	
35	2	810-1500003	螺钉帽	Bolt cap	
36	2	853D-0900005	弯板	Curve plate	
37	1	850-0905000	平台隔热板	Clapboard	包括序号38,39(Include No.38,39)
38	1	850-0905001	海绵隔板	Sponge clapboard	
39	1	850-0905002	下隔板	Lower clapboard	
40	1	853D-0912000	隔板组件I	Heat insulation subassembly I	包括序号41~45(Include No.41~45)
41	1	853D-0912100	隔板焊件I	Clapboard I	
42	1	853D-0912001	海绵板	Sponge	
43	2	850-0904004	长压板	Long plate	
44	6	850-0904005	短压板	Short plate	
45	12	M8X25 GB/T5783	六角头螺栓	Bolt	8.8-Zn.D
46	1	853D-0911000A	罩框焊件	Cover frame	
47	1	853D-0913000	隔板组件II	Heat insulation subassembly II	包括序号48~50(Include No. 48~50)
48	1	853D-0913100	隔板焊件II	Clapboard II	
49	1	853D-0913001	海绵板I	Sponge	
50	1	853D-0913002	海绵板II	Sponge	
51	1	850-0911000	盖板组件	Cover subassembly	包括序号52,53,44(Include No.52,53,44)
52	1	850-0911010	盖板	Cover	
53	1	850-0911001	海绵板	Sponge	
54	1	853D-0903000A	左盖板	Left cover	包括序号55~57(Include No.55~57)
55	1	853D-0903100A	滤网	Screen	
56	1	853D-0903001A	左盖板体	Left cover body	
57	1	853D-0903002A	密封胶条	Seal rubber	

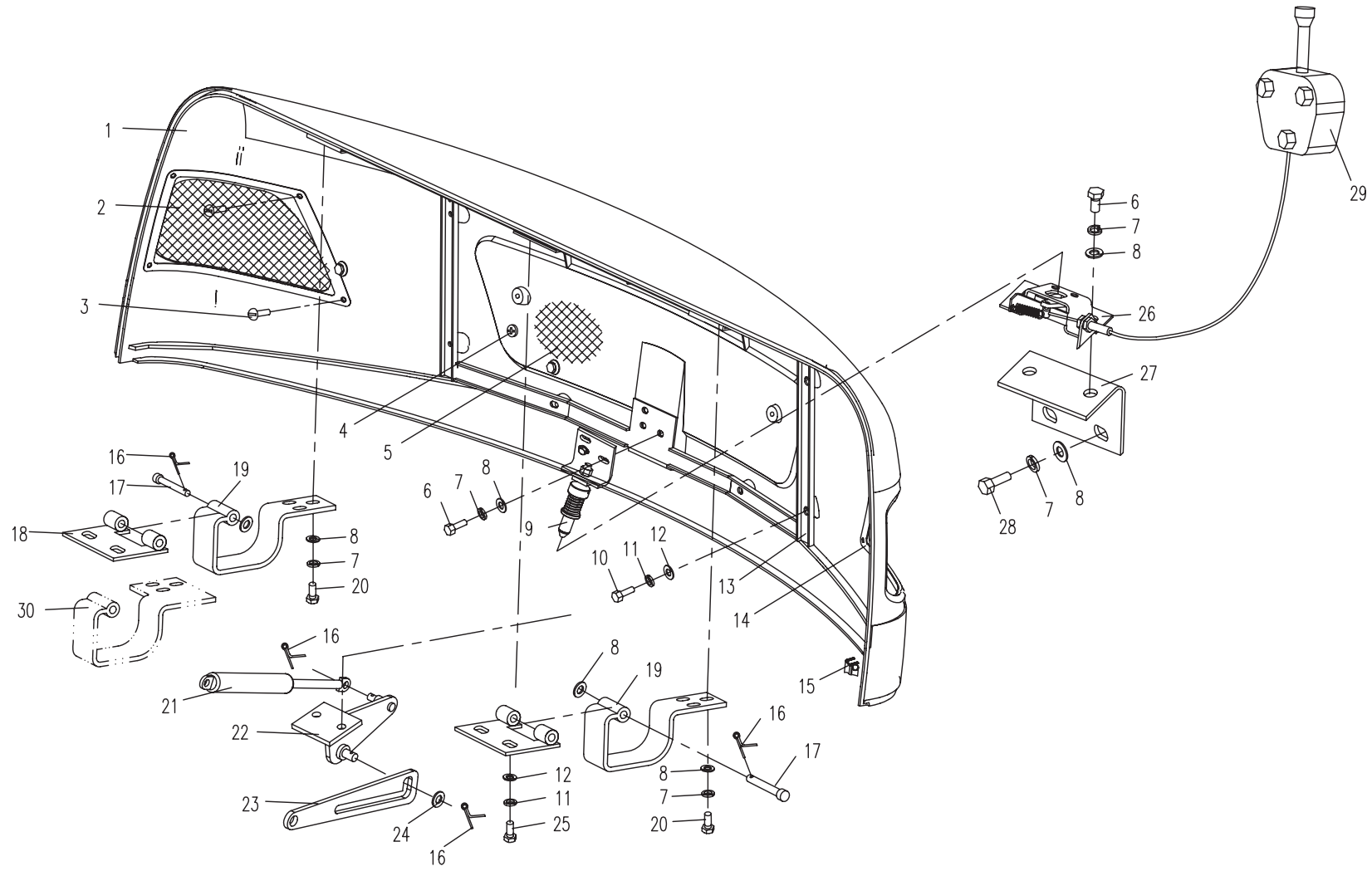
09.1.2 框架组件(适用850H02,850H03机型) COVER FRAME MODULE(APPLY TO 850H02,850H03 TYPE)



10.1.1 发动机罩(适用于850H01,850H02,850H03机型) ENGINE HOOD (APPLY TO 850H01,850H02,850H03 TYPE)

序号 No.	数量 Quantity	代号 Code	名称 Description		备注 Remark
1	1	853D-1001001A	发动机罩体	Engie hood	
2	1	853D-1001100A	左滤网	Left screen	
3	8	6 GB/T947	开槽球面大圆柱头螺钉	Bolt	
4	17	830D-1010001	塑料卡钉	Plastic Nail	
5	1	853D-1001002A	海绵板	Sponge	
6	3	M10×20 GB/T 5783	六角头螺栓	Bolt	8.8-Zn.D
7	3	10 GB/T93	弹簧垫圈	Washer	Zn.D
8	9	10 GB/T97.1	平垫圈	Washer	Zn.D
9	1	830D-1051000	锁销组件	Lockpin assembly	
10	3	M8×16 GB/T5783	六角头螺栓	Bolt	8.8-Zn.D
11	7	8 GB/T93	弹簧垫圈	Washer	Zn.D
12	13	8 GB/T97.1	平垫圈	Washer	Zn.D
13	1	853D-1001200A	机罩骨架	Hood framework	
14	1	853D-1001300A	右滤网	Right screen	
15	1	853D-1001003A	密封胶条	Rubber seal strip	
16	6	2X16 GB/T91	开口销	Cotter pin	Zn.D
17	2	830D-1000003	销轴	Shaft pin	
18	2	853D-100600	铰链座	Hinge seat	
19	2	853D-1002000B	铰链座板	Hinge Plate	适用850H01,850H02
20	8	M10x30 GB/T5783	六角头螺栓	Bolt	8.8-Zn.D
21	1	853D-1003000	气弹簧	Pneumatic support	
22	1	830D-1012000	支撑	Support Plate	
23	1	830D-1000002	支撑	Support Plate	
24	1	12 GB/T97.1	平垫圈	Washer	Zn.D
25	1	830D-1052000	锁座组件	Lock-pedestal assembly	
26	4	M8×20 GB/T5783	六角头螺栓	Bolt	8.8-Zn.D
27	1	853D-1005000	锁座	Lock pedestal	
28	2	M10x25 GB/T5783	六角头螺栓	Bolt	8.8-Zn.D
29	1	830D-101500	开锁装置	Control lock equipment	
30	1	853D-1004000	右铰链	Right hinge	适用850H03

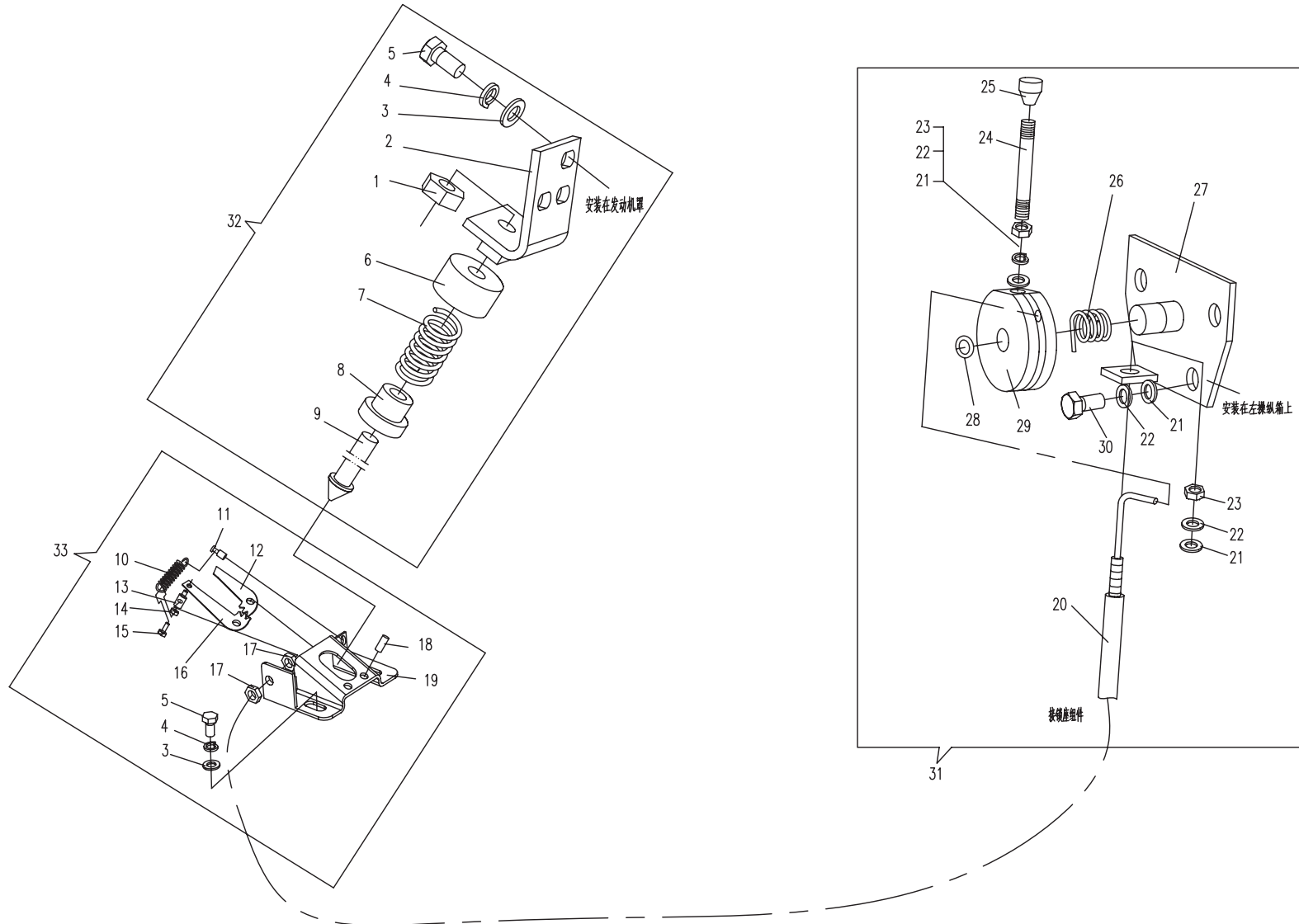
10.1.1 发动机罩(适用于850H01,850H02,850H03机型) ENGINE HOOD (APPLY TO 850H01,850H02,850H03 TYPE)



10.2.1 发动机罩锁装置(适用于850H01,850H02,850H03 机型) ENGINE HOOD LOCK EQUIPMENT (APPLY TO 850H01,850H02,850H03 TYPE)

序号 No.	数量 Quantity	代号 Code	名称 Description		备注 Remark
1	1	M12 GB/T6170	1型六角螺母	Nut	8-Zn.D
2	1	830D-1014200	锁销座	Lock pin pedestal	
3	5	10 GB/T97.1	平垫圈	Washer	Zn.D
4	5	10 GB/T93	弹簧垫圈	Spring washer	Zn.D
5	5	M10×20 GB/T5783	六角头螺栓	Bolt	8.8-Zn.D
6	1	830D-1014003	螺母	Nut	
7	1	830D-1014004	弹簧	Spring	
8	1	830D-1014005	弹簧座	Spring pedestal	
9	1	830D-1014002	锁销	Lockpin	
10	1	830D-1014001	拉簧	Tension spring	
11	1	830D-1014103	销轴	Shaft pin	
12	1	830D-1014104	右卡板	Right check plate	
13	1	830D-1014101	软轴固定销	Immobile pin	
14	1	M5 GB/T6170	1型六角螺母	Nut	8-Zn.D
15	1	M5×16 GB/T5783	六角头螺栓	Bolt	8.8-Zn.D
16	1	830D-1014105	左卡板	Left check plate	
17	2	M10×1 GB/T 6172.1	六角薄螺母	Nut	8-Zn.D
18	2	830D-1014102	转轴	Rotational pin	
19	1	830D-1014110	座	Pedestal	
20	1	830D-1015200	软管组件	Soft-pipe subassembly	
21	5	8 GB/T97.1	平垫圈	Washer	Zn.D
22	5	8 GB/T93	弹簧垫圈	Spring washer	Zn.D
23	2	M8 GB/T6170	1型六角螺母	Nut	8-Zn.D
24	1	830D-1015003	手柄	Handle	
25	1	801-1206200	手柄头	Handle ball	
26	1	830D-1015001A	扭簧	Torsion spring	
27	1	830P-1004100	转盘座	Turntable pedestal	
28	1	9 GB/T894.1	轴用弹性挡圈	Closing ring	

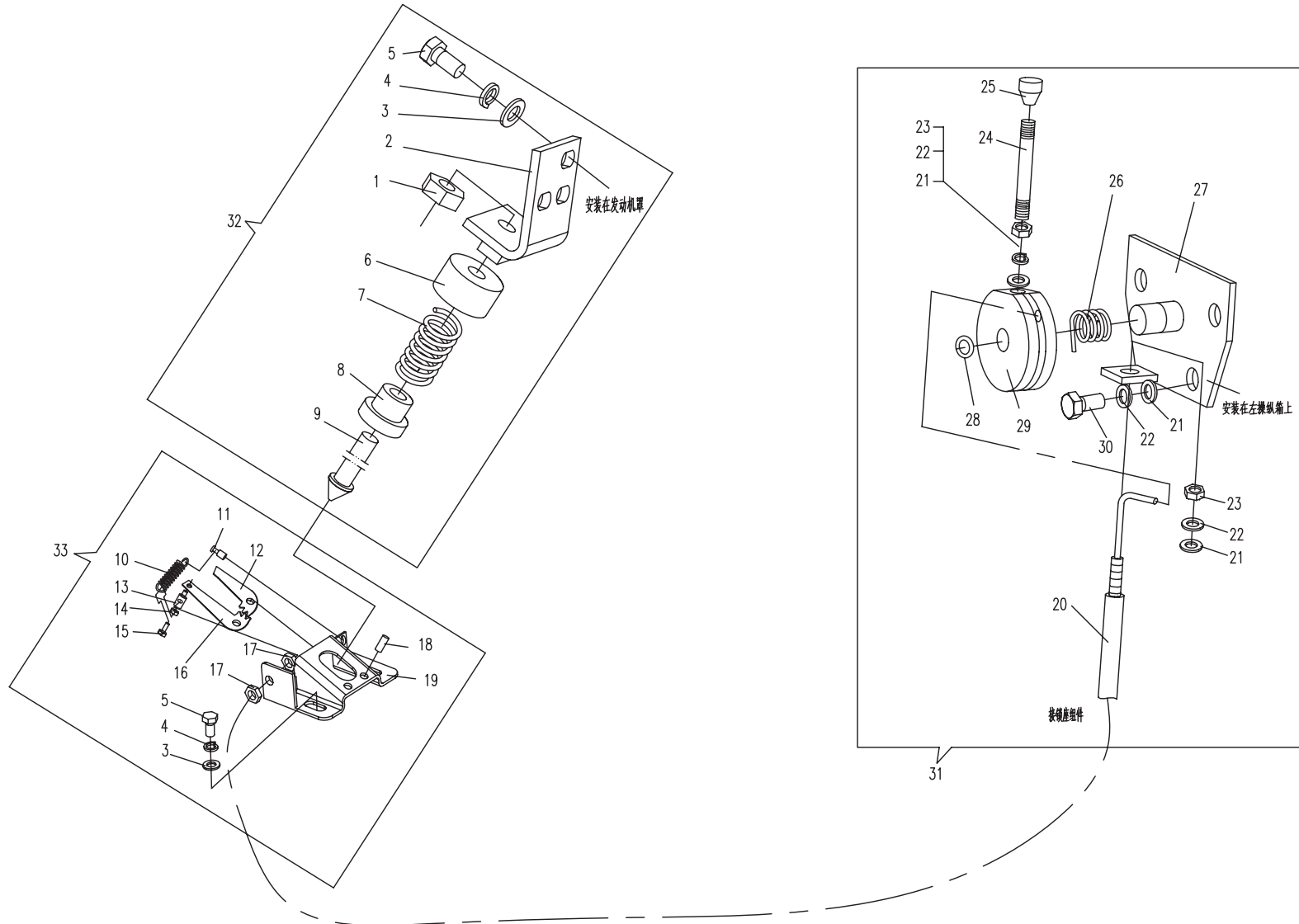
10.2.1 发动机罩锁装置(适用于850H01,850H02,850H03 机型) ENGINE HOOD LOCK EQUIPMENT (APPLY TO 850H01,850H02,850H03 TYPE)



10.2.1 发动机罩锁装置(适用于850H01,850H02,850H03 机型) ENGINE HOOD LOCK EQUIPMENT (APPLY TO 850H01,850H02,850H03 TYPE)

序号 No.	数量 Quantity	代号 Code	名称 Description		备注 Remark
1	1	M12 GB/T6170	1型六角螺母	Nut	8-Zn.D
2	1	830D-1014200	锁销座	Lock pin pedestal	
3	5	10 GB/T97.1	平垫圈	Washer	Zn.D
4	5	10 GB/T93	弹簧垫圈	Spring washer	Zn.D
5	5	M10×20 GB/T5783	六角头螺栓	Bolt	8.8-Zn.D
6	1	830D-1014003	螺母	Nut	
7	1	830D-1014004	弹簧	Spring	
8	1	830D-1014005	弹簧座	Spring pedestal	
9	1	830D-1014002	锁销	Lockpin	
10	1	830D-1014001	拉簧	Tension spring	
11	1	830D-1014103	销轴	Shaft pin	
12	1	830D-1014104	右卡板	Right check plate	
13	1	830D-1014101	软轴固定销	Immobile pin	
14	1	M5 GB/T6170	1型六角螺母	Nut	8-Zn.D
15	1	M5×16 GB/T5783	六角头螺栓	Bolt	8.8-Zn.D
16	1	830D-1014105	左卡板	Left check plate	
17	2	M10×1 GB/T 6172.1	六角薄螺母	Nut	8-Zn.D
18	2	830D-1014102	转轴	Rotational pin	
19	1	830D-1014110	座	Pedestal	
20	1	830D-1015200	软管组件	Soft-pipe subassembly	
21	5	8 GB/T97.1	平垫圈	Washer	Zn.D
22	5	8 GB/T93	弹簧垫圈	Spring washer	Zn.D
23	2	M8 GB/T6170	1型六角螺母	Nut	8-Zn.D
24	1	830D-1015003	手柄	Handle	
25	1	801-1206200	手柄头	Handle ball	
26	1	830D-1015001A	扭簧	Torsion spring	
27	1	830P-1004100	转盘座	Turntable pedestal	
28	1	9 GB/T894.1	轴用弹性挡圈	Closing ring	

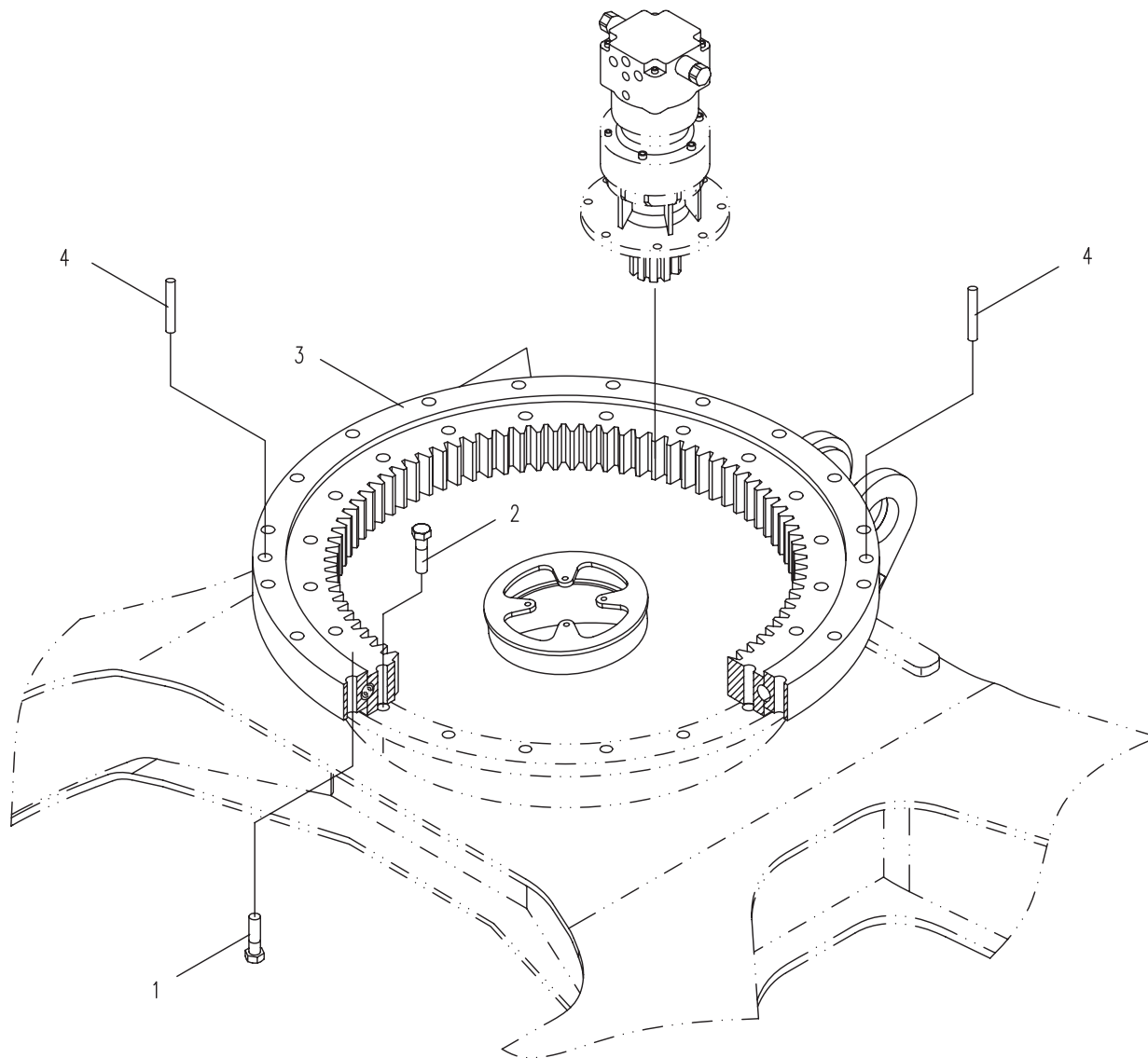
10.2.1 发动机罩锁装置(适用于850H01,850H02,850H03 机型) ENGINE HOOD LOCK EQUIPMENT (APPLY TO 850H01,850H02,850H03 TYPE)



11.1.1 回转支承（适用850H01,850H02,850H03机型）SLEWING SUPPORT (APPLY TO 850H01,850H02,85003 TYPE)

序号 No.	数量 Quantity	代号 Code	名称 Description		备注 Remark
1	20	M16X75 GB/T 5782	六角头螺栓	Bolt	12.9—达克罗
2	20	M16X85 GB/T 5782	六角头螺栓	Bolt	12.9—达克罗
3	1	850-1110000	回转支承	Slewing support	m=7
4	2	16X45 GB/T 119.2	圆柱销	Pin	(A型)

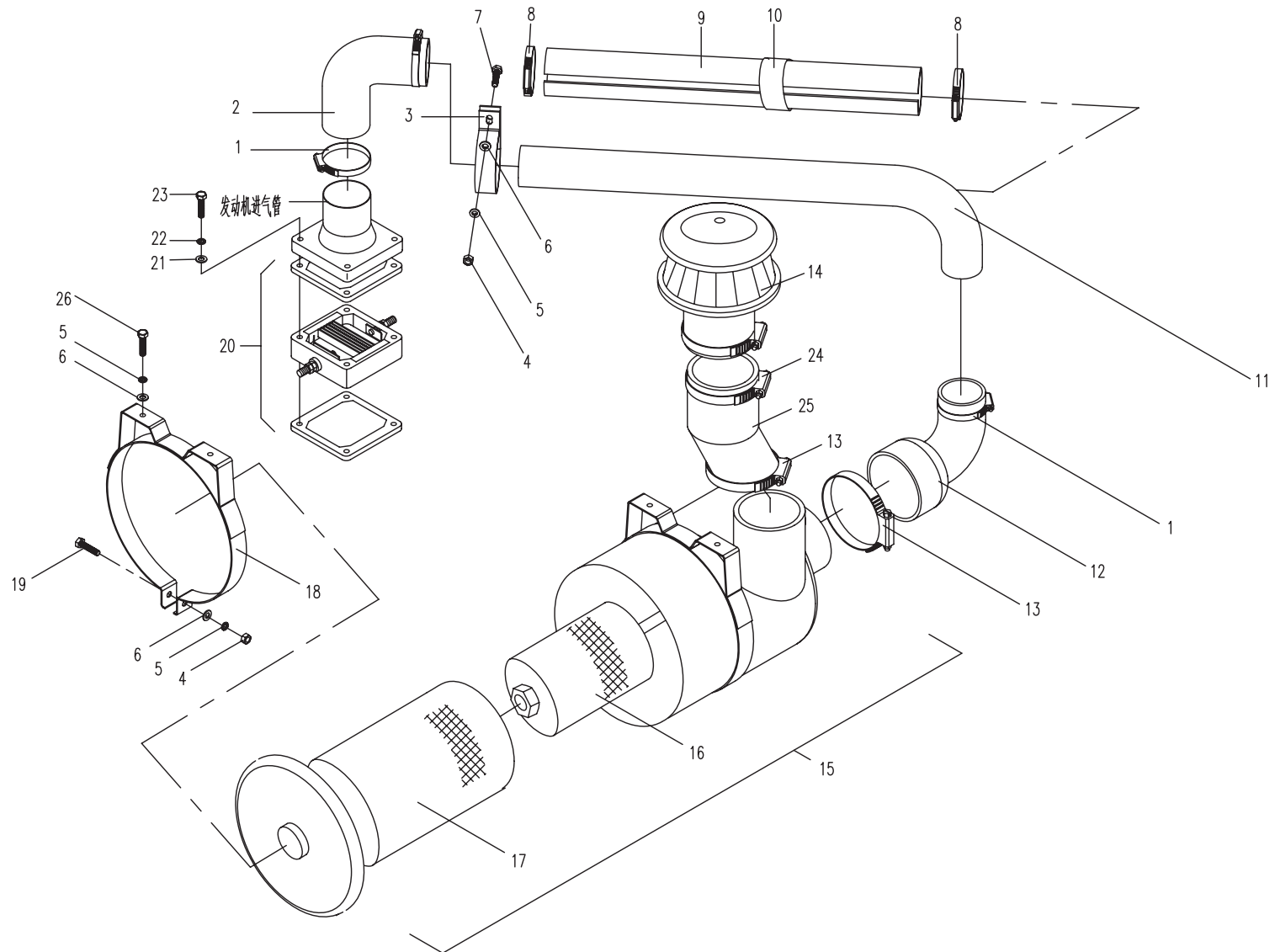
11.1.1 回转支承 (适用850H01,850H02,850H03机型) SLEWING SUPPORT (APPLY TO 850H01,850H02,85003 TYPE)



12.1.1 进气系统 (适用850H01机型) AIR INLET SYSTEM (APPLY TO 850H01 TYPE)

序号 No.	数量 Quantity	代号 Code	名称 Description		备注 Remark
1	3	830H-1202007	T 型卡箍	T Hoop	
2	1	850-1201001	进气管	Air-inlet hose	
3	1	850-1201005	管夹	Clincher	
4	2	M8 GB/T 6170	1型六角螺母	Nut	8-Zn. D
5	4	8 GB/T 93	弹簧垫圈	Washer	Zn. D
6	4	8 GB/T 97. 1	平垫圈	Washer	Zn. D
7	1	M8×30 GB/T 5783	六角头螺栓	Bolt	8. 8-Zn. D
8	2	d70 JB/T8870	喉箍	Hoop	Zn. D
9	1	850-1201004	隔热板	Hheat insulation board	
10	1	850-1201006	胶垫	Rubber mat	
11	1	850-1201003	过渡管	Ttransition pipe	
12	1	850-1201002A	进气弯管	Syphon	
13	2	885A-1202003	T 型卡箍	T Hoop	
14	1	850-1201400	空气预滤器	Core of air cleaner	
15	1	850-1201100A	空气滤清器	Air cleaner	
16	1	850-1201120	安全滤芯	Core of air cleaner	P829332
17	1	850-1201110	主滤芯	Core of air cleaner	P827653
18	1	850-1201200A	空滤器支架	Bracket	
19	1	M8×50 GB/T5783	六角头螺栓	Bolt	8. 8-Zn. D
20	1	850-1201300A	空气加热器	Heater of air	
21	4	10 GB/T 97. 1	平垫圈	Washer	Zn. D
22	4	10 GB/T 93	弹簧垫圈	Washer	Zn. D
23	4	M10×55 GB/T 5783	六角头螺栓	Bolt	8. 8-Zn. D
24	1	850-1201008	T型卡箍	T Hoop	
25	1	850-1201007	进气接管	Syphon	
26	2	M8×20 GB/T 5783	六角头螺栓	Bolt	8.8-Zn.D

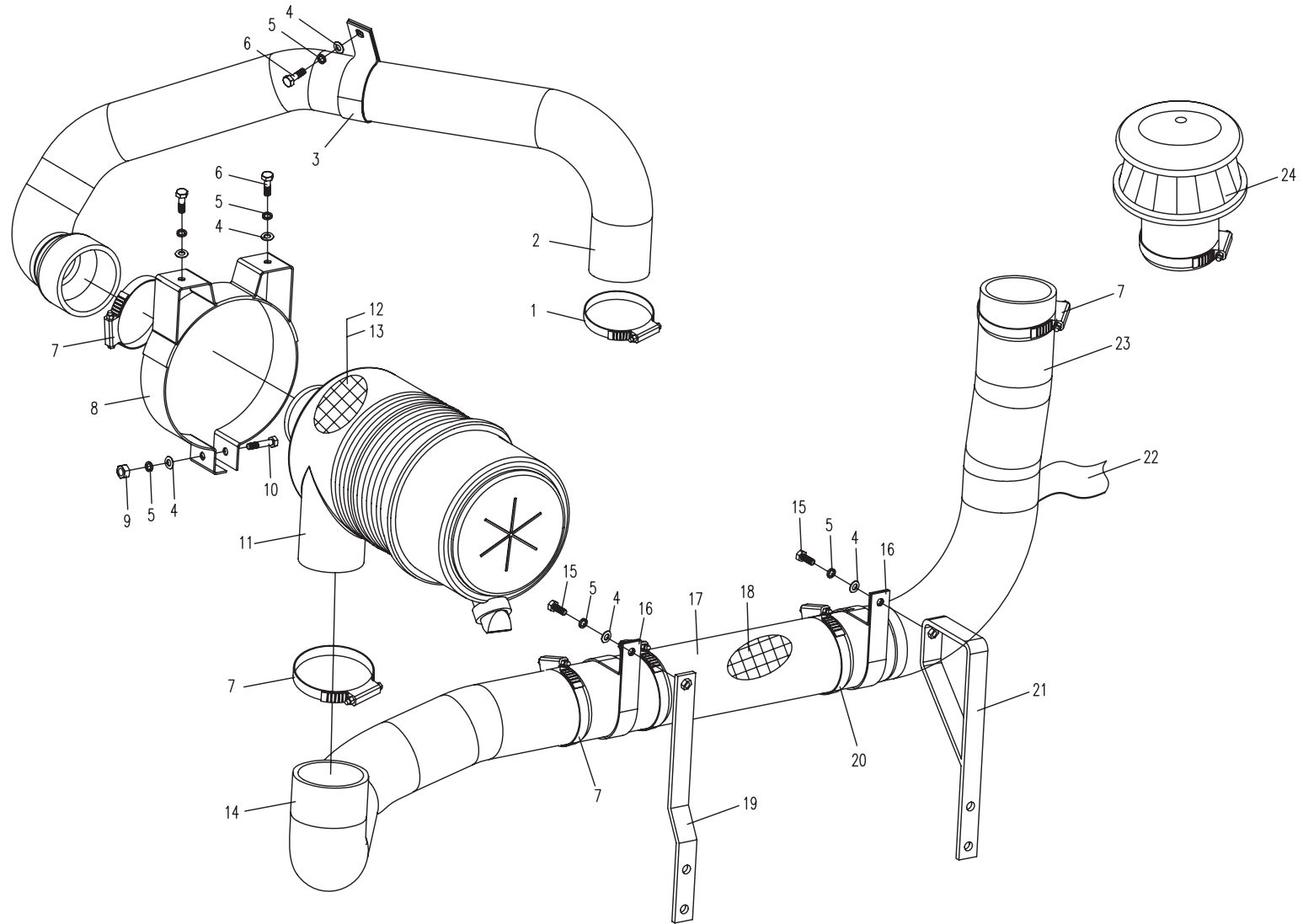
12.1.1 进气系统 (适用850H01机型) AIR INLET SYSTEM (APPLY TO 850H01 TYPE)



12.1.2 进气系统（适用850H02,850H03机型） AIR INLET SYSTEM (APPLY TO 850H02,850H03 TYPE)

序号 No.	数量 Quantity	代号 Code	名称 Description		备注 Remark
1	1	830H-1202007	T型卡箍	Tee Hoop	
2	1	850H-1201001	后进气管	Rear air-inlet hose	
3	1	850H-1201002	管夹	Clincher	
4	6	8 GB/T97.1	平垫圈	Washer	Zn.D
5	6	8 GB/T93	弹簧垫圈	Spring washer	Zn. D
6	3	M8×20 GB/T5783	六角头螺栓	Bolt	8.8-Zn.D
7	5	870-1202002	T型卡箍	Tee hoop	
8	1	850-1201200A	空滤器支架	Air cleaner bracket	
9	2	M8 GB/T6170	1型六角螺母	Nut	8-Zn. D
10	2	M8×50 GB/T5783	六角头螺栓	Bolt	8.8-Zn.D
11	1	850-1201100A	空气滤清器	Air cleaner	
12	1	850-1201120	安全滤芯	Core of air cleaner	P829332
13	1	850-1201110	主滤芯	Core of air cleaner	P827653
14	1	853D-1206002	中进气管	Middle air-inlet hose	
15	2	M8×25 GB/T5783	六角头螺栓	Bolt	8. 8-Zn. D
16	2	853D-1206005	进气管固定箍	Hoop for air-inlet hose	
17	1	853D-1206100	过渡管	Transition pipe	
18	1	853D-1206004	隔热层	Heat insulation	
19	1	853D-1206300	后支撑	Back bracket	
20	2	d90 JB/T8670	喉箍	Hoop	
21	1	853D-1206200	前支撑	Front bracket	
22	4m	830H-1202008	隔热膜	Heat insulation	
23	1	853D-1206001	前进气管	Front air-inlet hose	
24	1	850-1201400	空气预滤器	Air cleaner in advance	

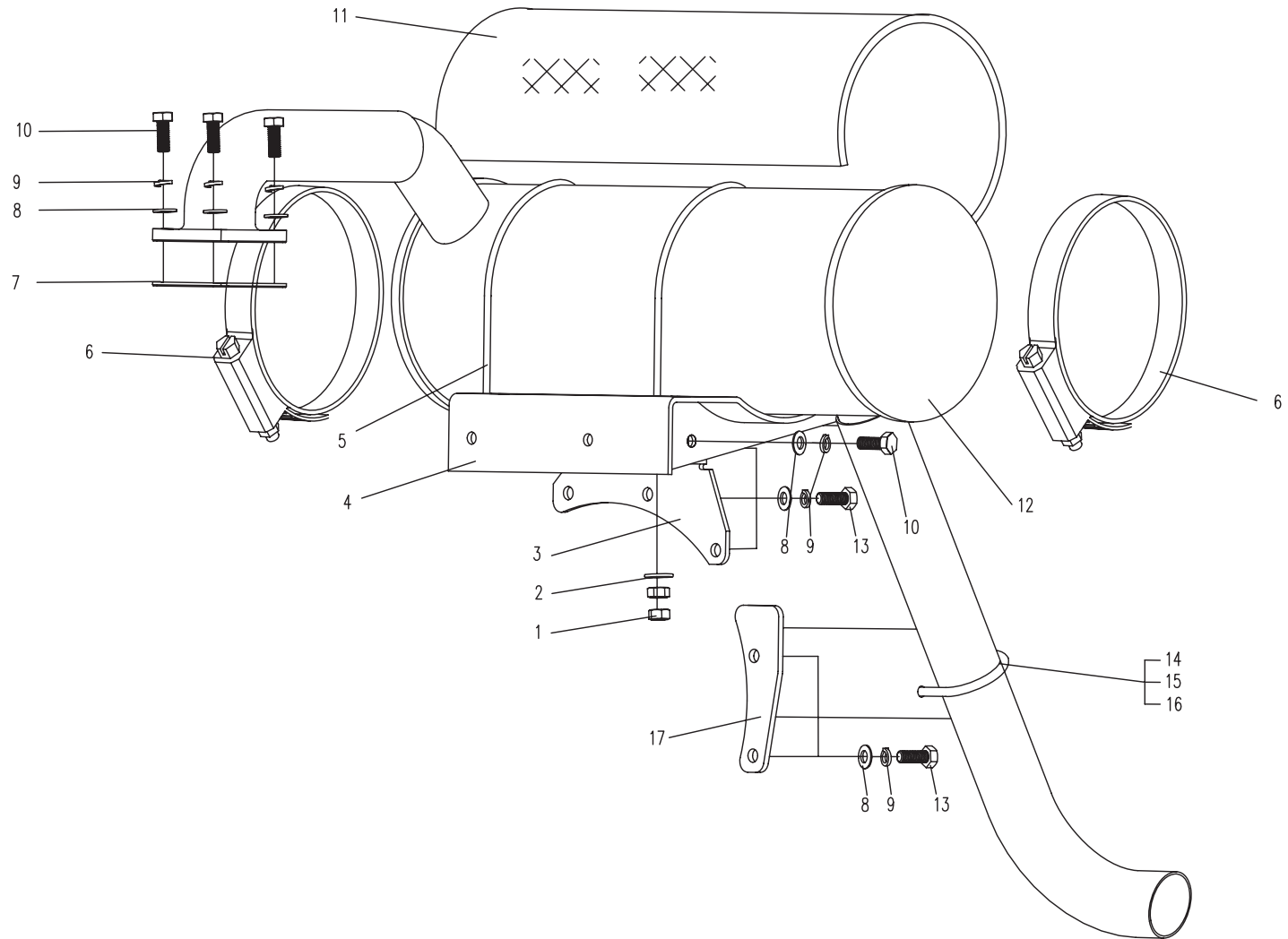
12.1.2 进气系统（适用850H02,850H03机型） AIR INLET SYSTEM (APPLY TO 850H02,850H03 TYPE)



12.2.1 排气系统(适用850H01机型) EXHAUST SYSTEM (APPLY TO 850H01 TYPE)

序号 No.	数量 Quantity	代号 Code	名称 Description		备注 Remark
1	8	M10 GB/T6170	I型六角螺母	Nut M8	8-Zn. D
2	4	10 GB/T96	大垫圈	Bigger washer	
3	1	850-1202008	支架板	Bracket	
4	1	850-1202200B	消声器支架	Muffler bracket	
5	2	850-1202001	螺杆	Screw	
6	2	d210 JB/T8870	喉箍	Hoop	
7	1	850-1202004	排气口垫片	Exhaust spacer	
8	13	10 GB/T93	弹簧垫圈	Spring washer	Zn. D
9	13	10 GB/T97.1	平垫圈	Washer	Zn. D
10	6	M10 30 GB/T5783	六角头螺栓	Bolt	8. 8-Zn. D
11	1	850-1202006	消声器包裹材料	Wrappage for muffler	
12	1	850-1202100A	消声器总成	Muffler	
13	7	M10 35 GB/T5783	六角头螺栓	Bolt	10. 9-达克罗
14	1	850-1202007	尾管卡箍	Nip hoop	
15	2	8 GB/T96	大垫圈	Bigger washer	Zn. D
16	2	M8 GB/T6170	I型六角螺母	Nut	Zn. D
17	1	850-1202300A	排气尾管支架	Vent-pipe bracket	

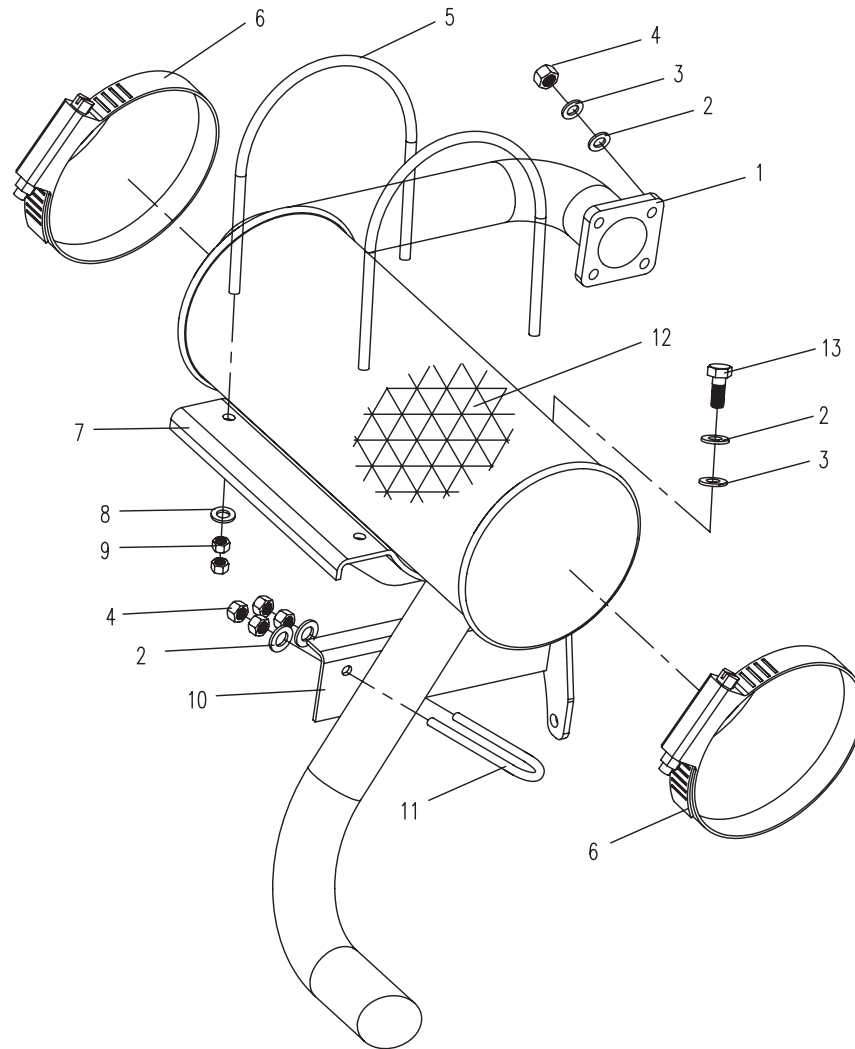
12.2.1 排气系统(适用850H01机型) EXHAUST SYSTEM (APPLY TO 850H01 TYPE)



12.2.2 排气系统（适用850H02,850H03机型） EXHAUST SYSTEM (APPLY TO 850H02,850H03 TYPE)

序号 No.	数量 Quantity	代号 Code	名称 Description		备注 Remark
1	1	850H-1202100	消声器总成	Muffler	
2	8	8 GB/T97.1	平垫圈	Washer	Zn. D
3	6	8 GB/T93	弹簧垫圈	Spring washer	Zn. D
4	8	M8 GB/T6170	I型六角螺母	Nut	8-Zn. D
5	2	850H-1202003	环箍	Hoop	
6	2	d210 JB/T8870	喉箍	Hoop	
7	1	850H-1202200	消声器支架	Muffler bracket	
8	4	10 GB/T96	大垫圈	Bigger washer	Zn. D
9	8	M10 GB/T6170	I型六角螺母	Nut	8-Zn. D
10	1	850H-1202300	排气尾管支架	Vent-pipe bracket	
11	1	830H-1204002	尾管卡箍	Hoop	
12	1	850H-1202002	消声器包裹材料	Wrappage for muffler	
13	2	M8×20 GB/T5783	六角头螺栓	Bolt	10.9-达克罗

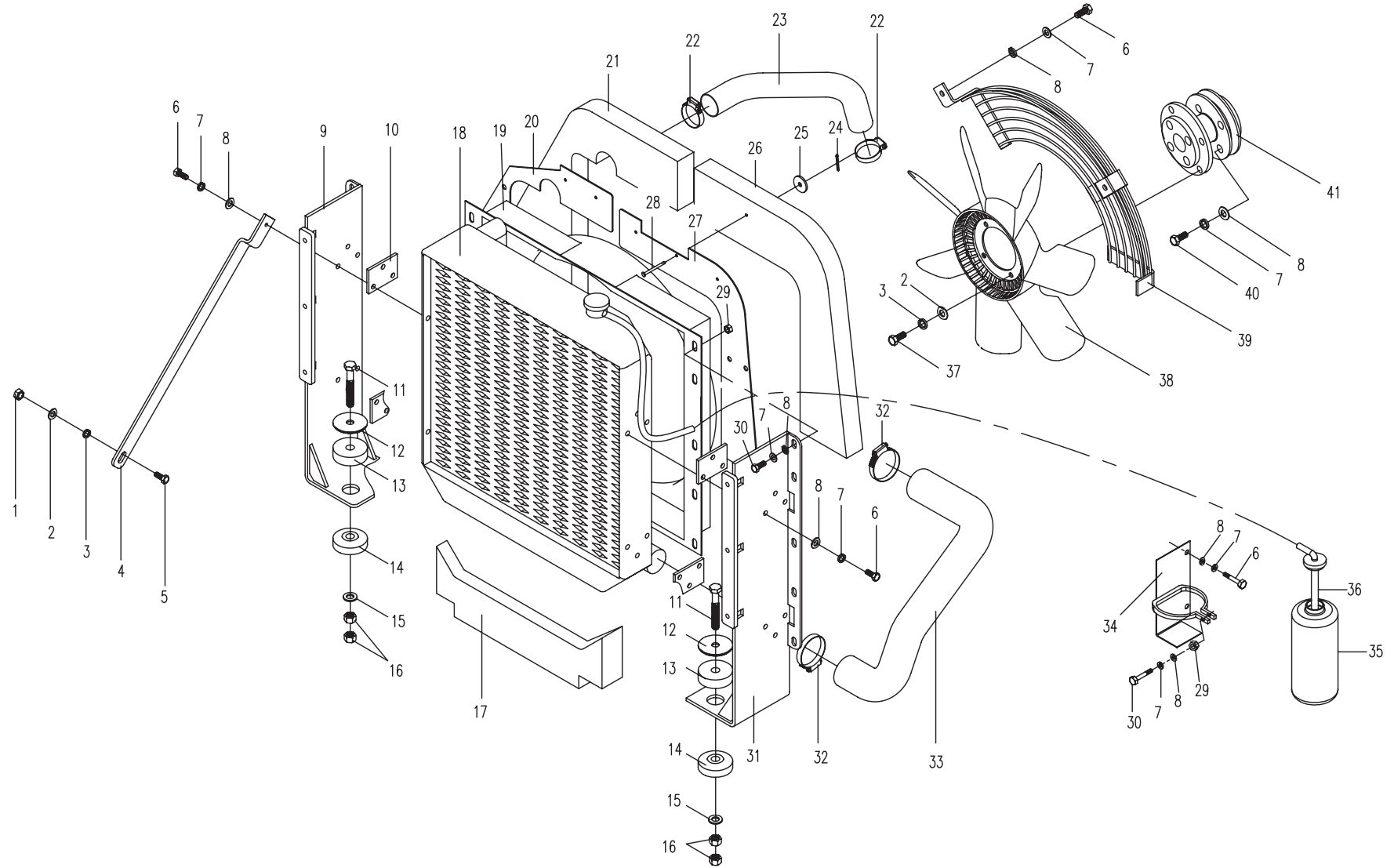
12.2.2 排气系统（适用850H02,850H03机型） EXHAUST SYSTEM (APPLY TO 850H02,850H03 TYPE)



12.3.1 冷却系统 (适用850H01机型) COOLING SYSTEM (APPLY TO 850H01 TYPE)

序号 No.	数量 Quantity	代号 Code	名称 Description		备注 Remark
1	1	M10 GB/T6170	1型六角螺母	Nut	8-Zn.D
2	5	10 GB/T93	弹簧垫圈	Spring washer	Zn.D
3	5	10 GB/T97. 1	平垫圈	Washer	Zn.D
4	1	850-1203016	水箱拉板	Knighthead	
5	1	M10×30 GB/T5783	六角头螺栓	Bolt	8.8-Zn.D
6	12	M8×20 GB/T5783	六角头螺栓	Bolt	8.8-Zn.D
7	24	8 GB/T93	弹簧垫圈	Spring washer	Zn.D
8	24	8 GB/T97. 1	平垫圈	Washer	Zn.D
9	1	850-1203200A	水箱右支架	Radiator right support	
10	4	850-1203015	减震胶垫	Rubber pad	
11	4	M12×70 GB/T5782	六角头螺栓	Bolt	8.8-Zn.D
12	4	850-1203006	垫圈	Washer	
13	4	850-1203005A	上软垫	Upper absorber	
14	4	850-1203004A	下软垫	Lower absorber	
15	4	12 GB/T96	大垫圈	Bigger washer	Zn.D
16	8	M12 GB/T6170	1型六角螺母	Nut	8-Zn.D
17	1	850-1203012	下隔热垫	Lower heat-insulation spacer	
18	1	850-1203001A	水箱	Radiator	
19	1	850-1203014A	导风罩	Fan guide	
20	1	853D-1203002	右隔热支板	Right support	
21	1	850-1203011	右隔热垫	Right heat-insulation spacer	
22	2	d45 Q672	双钢丝式环箍	Hoop	
23	1	850-1203002	上水管	Upper water pipe	
24	12	1.6×16 GB/T91	开口销	Cotter pin	Zn.D
25	12	830-1201013	垫片	Spacer	
26	1	850-1203008	左隔热垫	Left heat-insulation spacer	
27	1	853D-1203001	左隔热支板	Left support	
28	12	4×45 GB/T882	销轴	Pin	

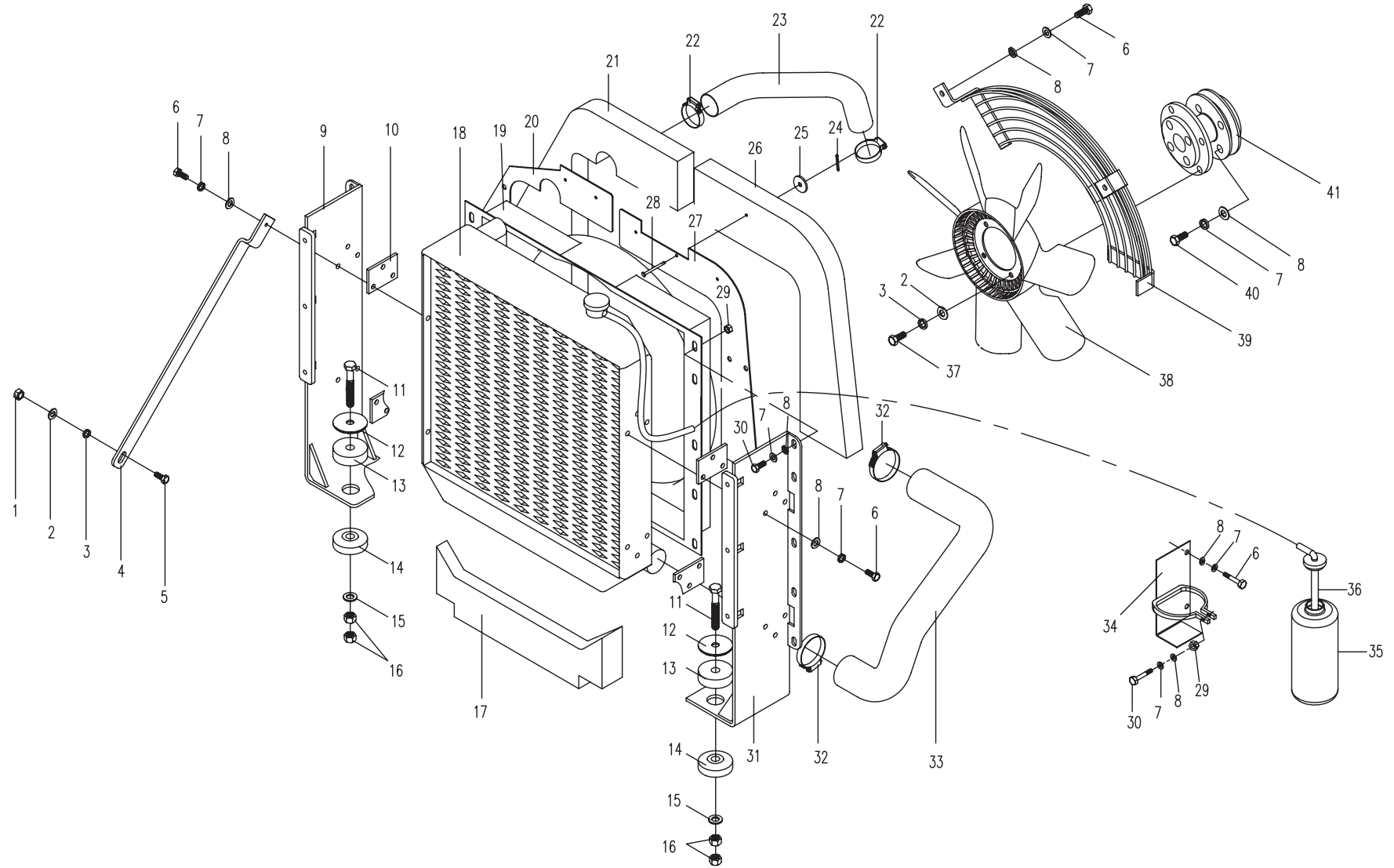
12.3.1 冷却系统 (适用850H01机型) COOLING SYSTEM (APPLY TO 850H01 TYPE)



12.3.1 冷却系统 (适用850H01机型) COOLING SYSTEM (APPLY TO 850H01 TYPE)

序号 No.	数 量 Quantity	代 号 Code	名 称 Description		备 注 Remark
29	12	M8 GB/T6170	1型六角螺母	Nut	8-Zn.D
30	12	M8×25 GB/T5783	六角头螺栓	Bolt	8.8-Zn.D
31	1	850-1203100A	水箱左支架	Radiator left support	
32	2	d58 Q672	双钢丝式环箍	Hoop	
33	1	850-1203003	下水管	Lower water pipe	
34	1	860-1202600	支架	Bracket	
35	1	830-1201015	平衡罐	Balancing container	
36	1	830-1201014	胶管	Hose	
37	4	M10×20 GB/T5783	六角头螺栓	Bolt	8.8-Zn.D
38	1	850-1203013A	风扇	Fan	
39	1	850-1203300	护网	Fender	
40	4	M8×45 GB/T5783	六角头螺栓	Bolt	8.8-Zn.D
41	1	850D-1200001	风扇支座	Fan bracket	

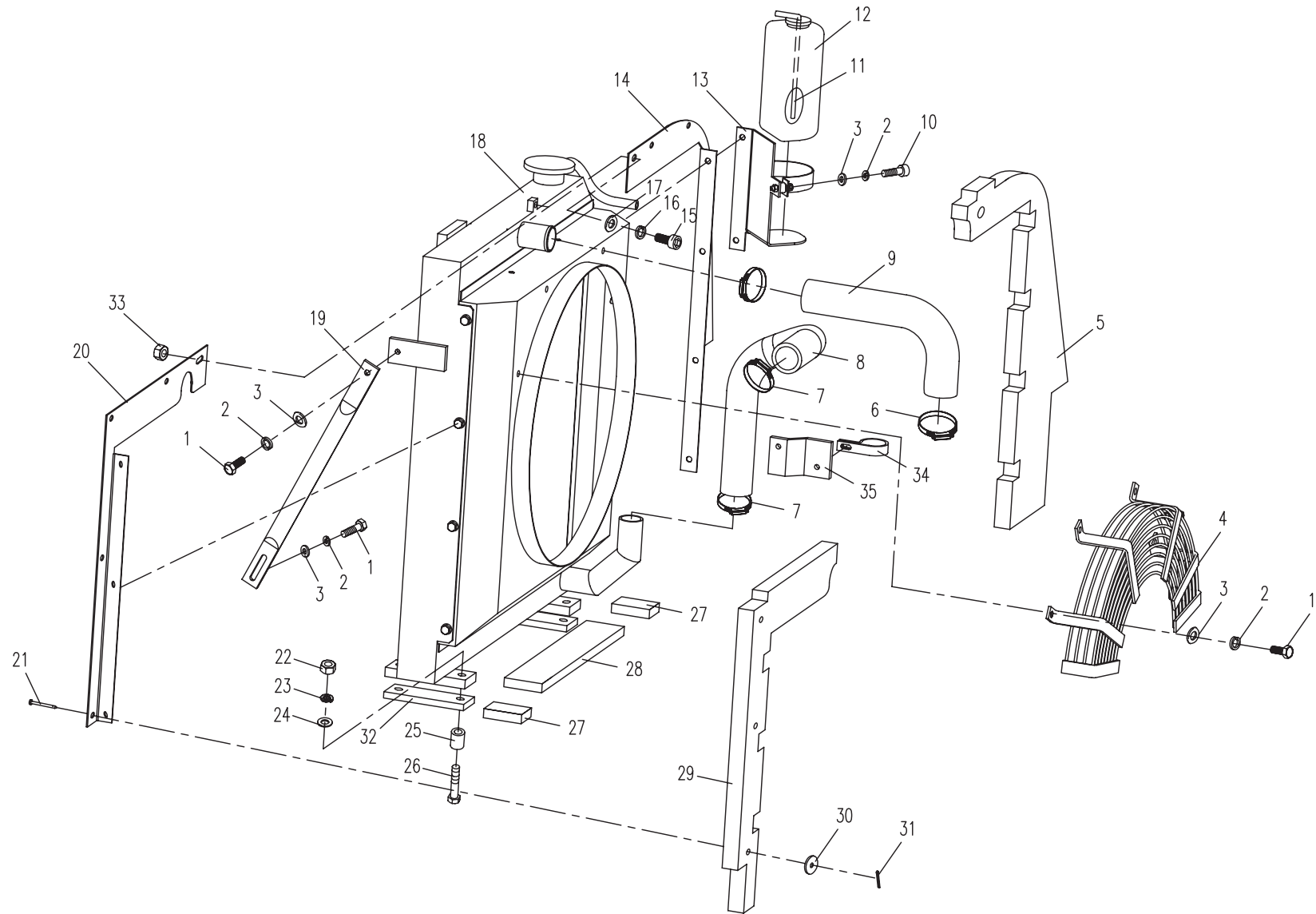
12.3.1 冷却系统 (适用850H01机型) COOLING SYSTEM (APPLY TO 850H01 TYPE)



12.3.2 冷却系统（适用850H02,850H03机型） COOLING SYSTEM (APPLY TO 850H02,850H03 TYPE)

序号 No.	数量 Quantity	代号 Code	名称 Description		备注 Remark
1	6	M8×20 GB/T5783	六角头螺栓	Bolt	8. 8-Zn. D
2	7	8 GB/T93	弹簧垫圈	Washer	Zn. D
3	7	8 GB/T97. 1	平垫圈	Washer	Zn. D
4	1	853D-1207200	风扇护网	Fan fender	
5	1	853D-1207004A	右隔热垫	Right heat-insulation spacer	
6	2	d52 Q672	双钢丝式环箍	Hoop	
7	2	d50 Q672	双钢丝式环箍	Hoop	
8	1	853D-1207002	下水管	Lower water pipe	
9	1	853D-1207001	上水管	Upper water pipe	
10	1	M8×40 GB/T70.1	内六角圆柱头螺钉	Bolt	8. 8-Zn. D
11	1	830-1201014	胶管	Hose	
12	1	830-1201015	平衡罐	Balancing container	
13	1	853D-1207300	平衡罐支架	Bracket	
14	1	853D-1207003	右支撑侧板	Right plate	
15	1	M6×20 GB/T70.1	内六角圆柱头螺钉	Bolt	8. 8-Zn. D
16	1	6 GB/T93	弹簧垫圈	Spring washer	Zn. D
17	1	6 GB/T97. 1	平垫圈	Washer	Zn. D
18	1	853D-1207100	散热器总成	Radiator assembly	
19	1	870-1201011	拉杆	Knighthead	
20	1	853D-1207005	左支撑侧板	Left plate	
21	8	4×45 GB/T882	销轴	Pin	
22	4	M12 GB/T889. 1	嵌件六角锁紧螺母	Nut	8-Zn.D
23	4	12 GB/T93	弹簧垫圈	Spring washer	Zn. D
24	4	12 GB/T97. 1	垫圈	Washer	Zn. D
25	4	870E-1201003	套筒	Sleeve	
26	4	M12×80 GB/T5782	六角头螺栓	Bolt	8. 8-Zn. D
27	2	853D-1207007	下小隔热垫	Lower smaller heat-insulation spacer	
28	1	853D-1207008	下隔热垫	Lower heat-insulation spacer	

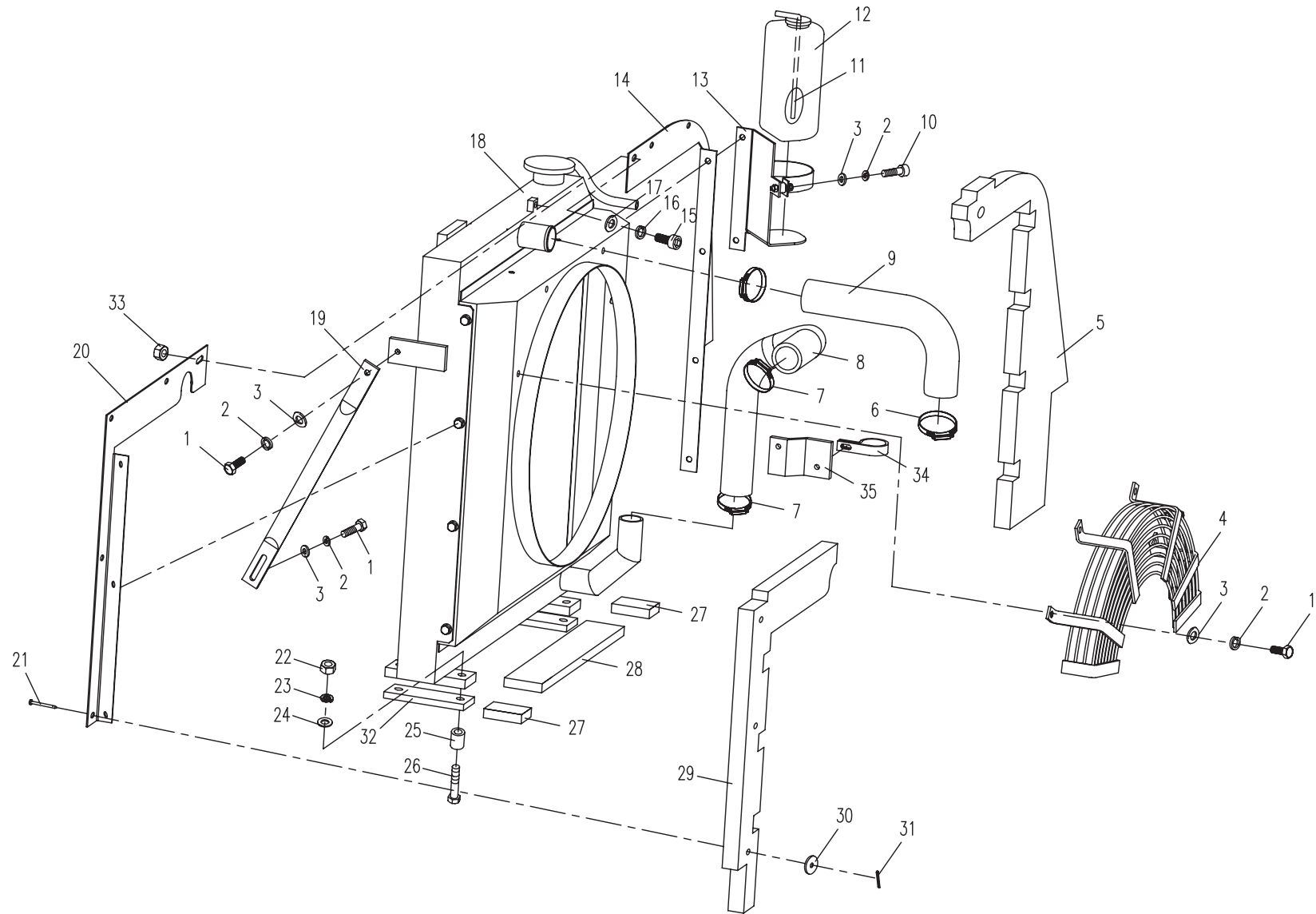
12.3.2 冷却系统（适用850H02,850H03机型） COOLING SYSTEM (APPLY TO 850H02,850H03 TYPE)



12.3.2 冷却系统（适用850H02,850H03机型） COOLING SYSTEM (APPLY TO 850H02,850H03 TYPE)

序号 No.	数量 Quantity	代号 Code	名称 Description		备注 Remark
29	1	853D-1207006	左隔热垫	Left heat-insulation spacer	
30	9	830-1201013	垫片	Spacer	
31	9	1.6×16 GB/T91	开口销	Cotter pin	Zn. D
32	2	853D-1207011	胶垫	Rubber spacer	
33	1	M6 GB/T6170	1型六角螺母	Nut	8-Zn. D
34	1	850H-1203001	管夹	Clamp	
35	1	850H-1203100	下水管固定支撑	Bracket	

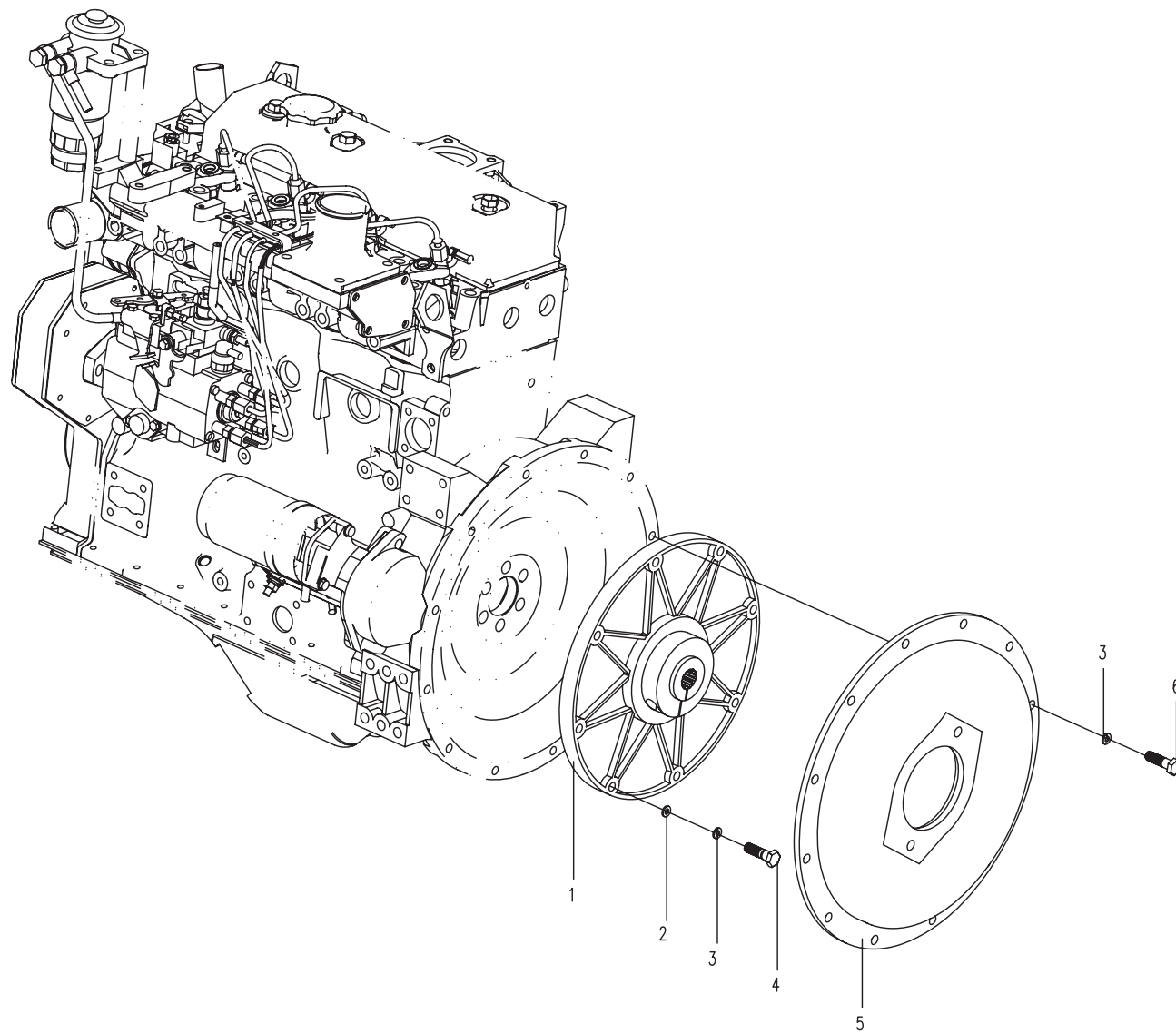
12.3.2 冷却系统（适用850H02,850H03机型） COOLING SYSTEM (APPLY TO 850H02,850H03 TYPE)



12.4.1 动力输出系统(适用850H01机型) POWER OUTPUT SYSTEM(APPLY TO 850H01 TYPE)

序号 No.	数量 Quantity	代号 Code	名称 Description		备注 Remark
1	1	850-1204100	联轴器	Coupling	
2	3	10 GB/T97.1	平垫圈	Washer	Zn. D
3	15	10 GB/T93	弹簧垫圈	Spring washer	Zn. D
4	8	M10X45 GB/T5783	六角头螺栓	Bolt	8.8-Zn. D
5	1	850-1204001A	飞轮壳连接盘	Connecting disc	
6	7	M10X30 GB/T5783	六角头螺栓	Bolt	8.8-Zn. D

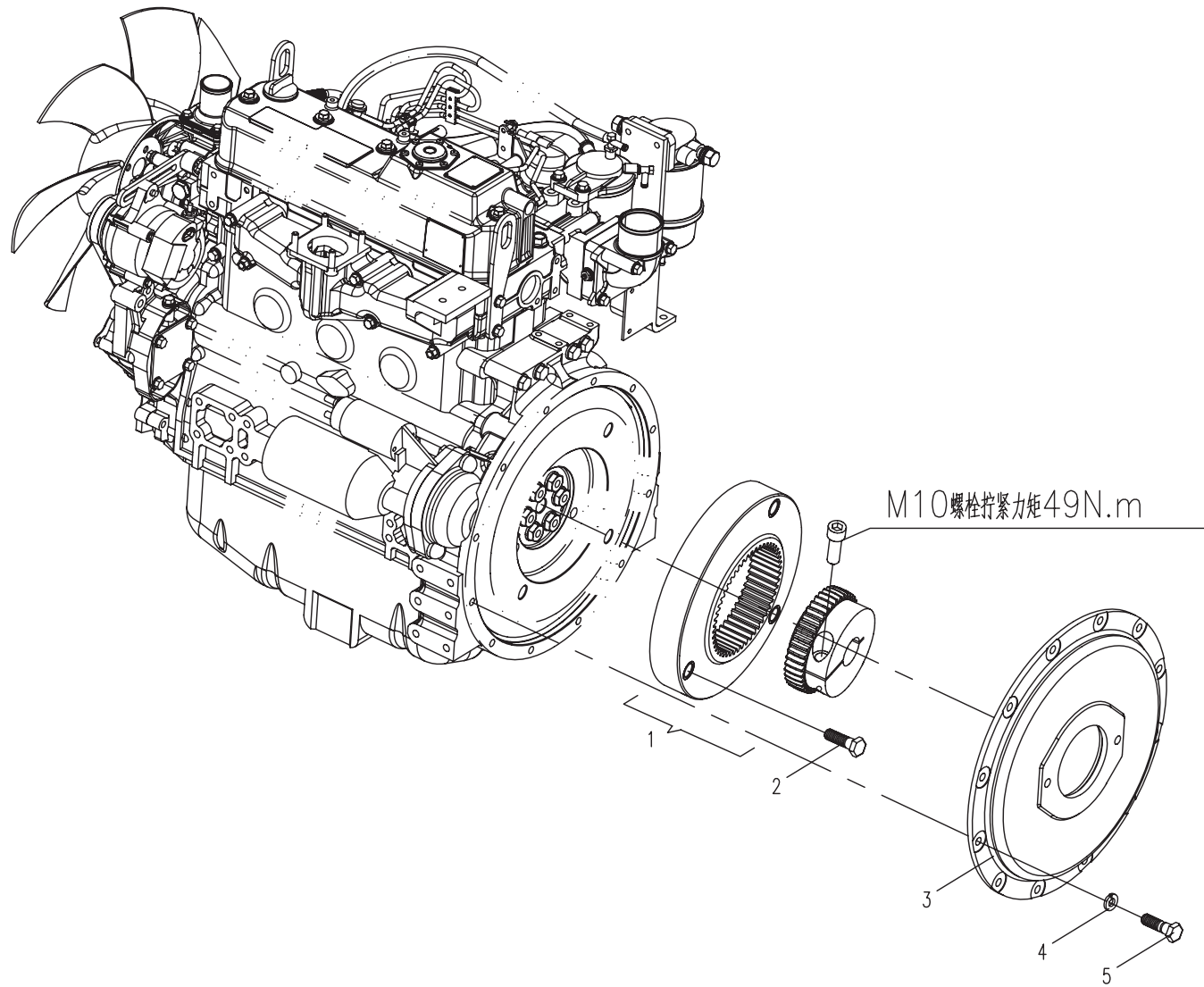
12.4.1 动力输出系统(适用850H01机型) POWER OUTPUT SYSTEM(APPLY TO 850H01 TYPE)



12.4.2 动力输出系统(适用850H02,850H03机型) POWER OUTLET SYSTEM (APPLY TO 850H02,850H03 TYPE)

序号 No.	数量 Quantity	代号 Code	名称 Description		备注 Remark
	1	853D-1208000	柴油机	Enging	
1	1	852A-1204100	联轴器	Coupling	
2	3	M14×45 GB/T5783	六角头螺栓	Bolt	10. 9-氧化
3	1	852A-1204001A	飞轮壳连接盘	Connecting disc	
4	12	10 GB/T93	弹簧垫圈	Spring washer	Zn. D
6	4	M10×25 GB/T5783	六角头螺栓	Bolt	8. 8-Zn. D

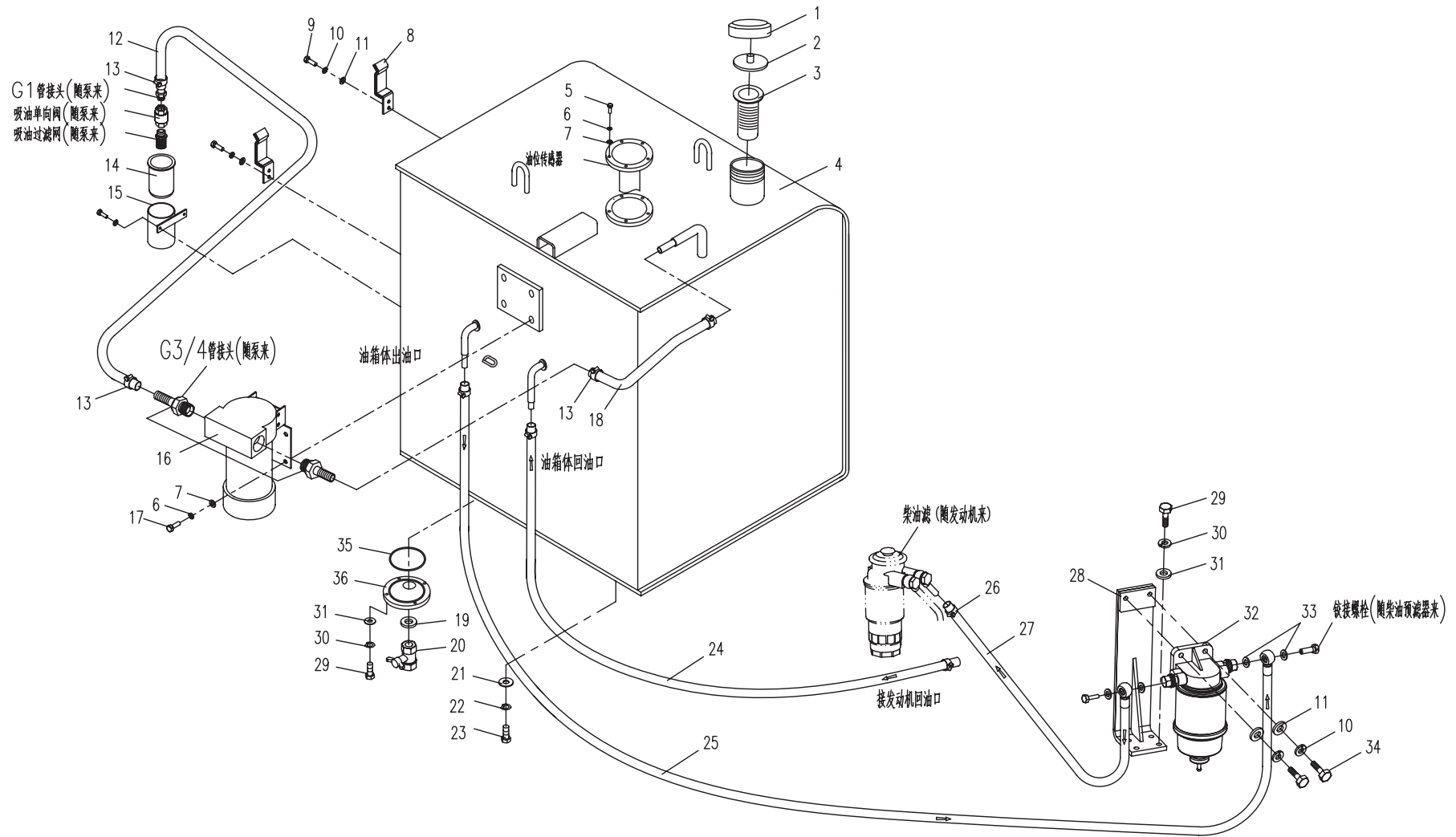
12.4.2 动力输出系统(适用850H02,850H03机型) POWER OUTLET SYSTEM (APPLY TO 850H02,850H03 TYPE)



12.5.1 燃油系统（适用850H01机型） FUEL SYSTEM (APPLY TO 850H01 TYPE)

序号 No.	数量 Quantity	代号 Code	名称 Description		备注 Remark
1	1	801-1205002	注油口盖	Cover	
2	1	801-1205300	燃油箱补气阀	Air vent	
3	1	801-1205400	滤网	Filter screen	
4	1	853D-1205100	油箱体	Fuel tank body	
5	5	M5x12 GB/T5783	六角头螺栓	Bolt	8. 8-Zn. D
6	9	5 GB/T93	弹簧垫圈	Spring washer	Zn. D
7	9	5 GB/T97. 1	平垫圈	Washer	Zn. D
8	2	858-1205005	压板	Press plate	
9	4	M8 16 GB/T5783	六角头螺栓	Bolt	8. 8-Zn. D
10	6	8 GB/T93	弹簧垫圈	Spring washer	Zn. D
11	6	8 GB/T97. 1	平垫圈	Washer	Zn. D
12	1	860J-1205001	进油管	Fuel-intake pipe	
13	4	d32 JB/T 8870	喉箍	Hoop	
14	1	885A-1205003	橡胶筒	Rubber canister	
15	1	885A-1205400	油筒	Oil canister	
16	1	858-1205400	加油泵总成	Petrol pump assembly	进口零件
	1	858-1205500	加油泵总成	Petrol pump assembly	国产零件
17	4	M5x16 GB/T5783	六角头螺栓	Bolt	8. 8-Zn. D
18	1	853D-1205001	出油管	Fuel-out pipe	
19	1	860-1205005	胶垫圈	Rubber mat	
20	1	860-1205600	放油阀	Vent fuel valve	
21	6	M12 35 GB/T5783	六角头螺栓	Bolt	
22	6	12 GB/T93	弹簧垫圈	Spring washer	
23	6	12 GB/T97. 1	平垫圈	Washer	
24	1	850-1205003	回油管	Fuel-return pipe	
25	1	850-1205005	进油管	Fuel-intake pipe	
26	4	d25 JB/T8870	喉箍	Hoop	
27	1	850-1205006	柴滤连接管	Fuel-filter pipe	

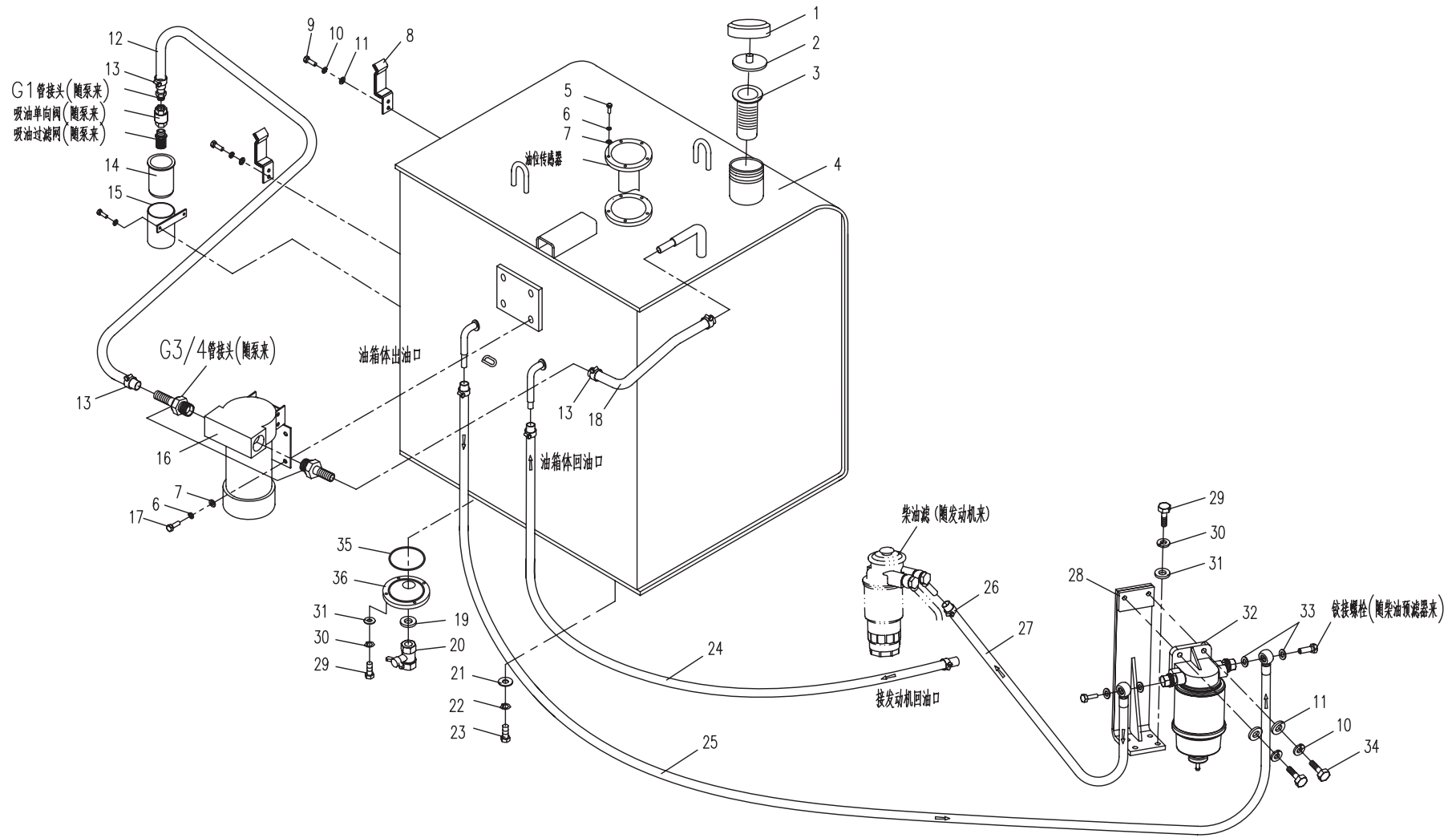
12.5.1 燃油系统（适用850H01机型）FUEL SYSTEM (APPLY TO 850H01 TYPE)



12.5.1 燃油系统 (适用850H01机型) FUEL SYSTEM (APPLY TO 850H01 TYPE)

序号 No.	数量 Quantity	代号 Code	名称 Description		备注 Remark
28	1	850-1205200	柴滤支架	Fuel-filter bracket	
29	8	M10x30 GB/T5783	六角头螺栓	Bolt	8. 8-Zn. D
30	8	10 GB/T93	弹簧垫圈	Spring washer	
31	8	10 GB/T97.1	平垫圈	Washer	
32	1	850-1205300	柴油预滤器	Fuel prefilter	
33	4	14 JB/T982	组合密封垫	Combinatory washer	
34	2	M8X25 GB/T5783	六角头螺栓	Bolt	8. 8-Zn. D
35	1	118×2.65 GB/T3452.1	O型橡胶密封圈	O seal ring	丁腈橡胶
36	1	853D-1205200	底盖组件	Bottom cover	

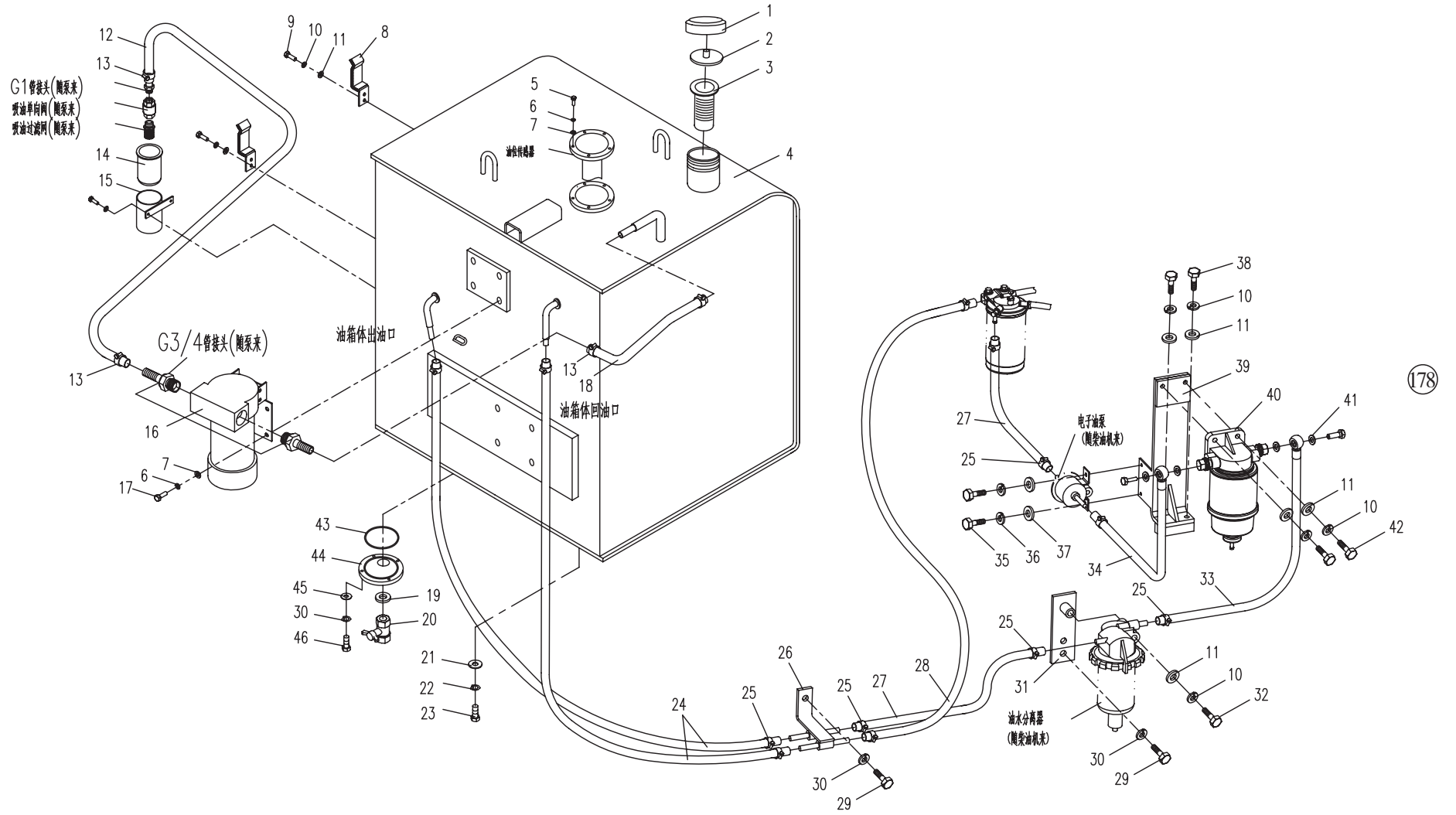
12.5.1 燃油系统（适用850H01机型） FUEL SYSTEM (APPLY TO 850H01 TYPE)



12.5.2 燃油系统（适用850H02,850H03机型） FUEL SYSTEM (APPLY TO 850H02,850H03 TYPE)

序号 No.	数量 Quantity	代号 Code	名称 Description		备注 Remark
1	1	801-1205002	注油口盖	Cover	
2	1	801-1205300	燃油箱补气阀	Air vent	
3	1	801-1205400	滤网	Filter screen	
4	1	850H-1205100	油箱体	Fuel tank body	
5	5	M5×12 GB/T5783	六角头螺栓	Bolt	8. 8-Zn. D
6	9	5 GB/T93	弹簧垫圈	Spring washer	Zn. D
7	9	5 GB/T97. 1	平垫圈	Washer	Zn. D
8	2	858-1205005	压板	Press plate	
9	4	M8×16 GB/T5783	六角头螺栓	Bolt	8. 8-Zn. D
10	9	8 GB/T93	弹簧垫圈	Spring washer	Zn. D
11	9	8 GB/T97. 1	平垫圈	Washer	Zn. D
12	1	860J-1205001	进油管	Fuel-intake pipe	
13	4	d32 JB/T 8870	喉箍	Hoop	
14	1	885A-1205003	橡胶筒	Rubber canister	
15	1	885A-1205400	油筒	Oil canister	
16	1	858-1205400	加油泵总成	Petrol pump assembly	进口零件
	1	858-1205500	加油泵总成	Petrol pump assembly	国产零件
17	4	M5×16 GB/T5783	六角头螺栓	Bolt	8. 8-Zn. D
18	1	853D-1205001	出油管	Fuel-out pipe	
19	1	860-1205005	胶垫圈	Rubber mat	
20	1	860-1205600	放油阀	Vent fuel valve	
21	6	12 GB/T97. 1	平垫圈	Washer	Zn. D
22	6	12 GB/T93	弹簧垫圈	Spring washer	Zn. D
23	6	M12×35 GB/T5783	六角头螺栓	Bolt	
24	2	850-1205003	回油管	Fuel-return pipe	
25	12	d20 JB/T8870	喉箍	Hoop	
26	1	853D-1211200	转换接头	Joint	
27	2	853D-1211003	供油管IV	Fuel pipe IV	

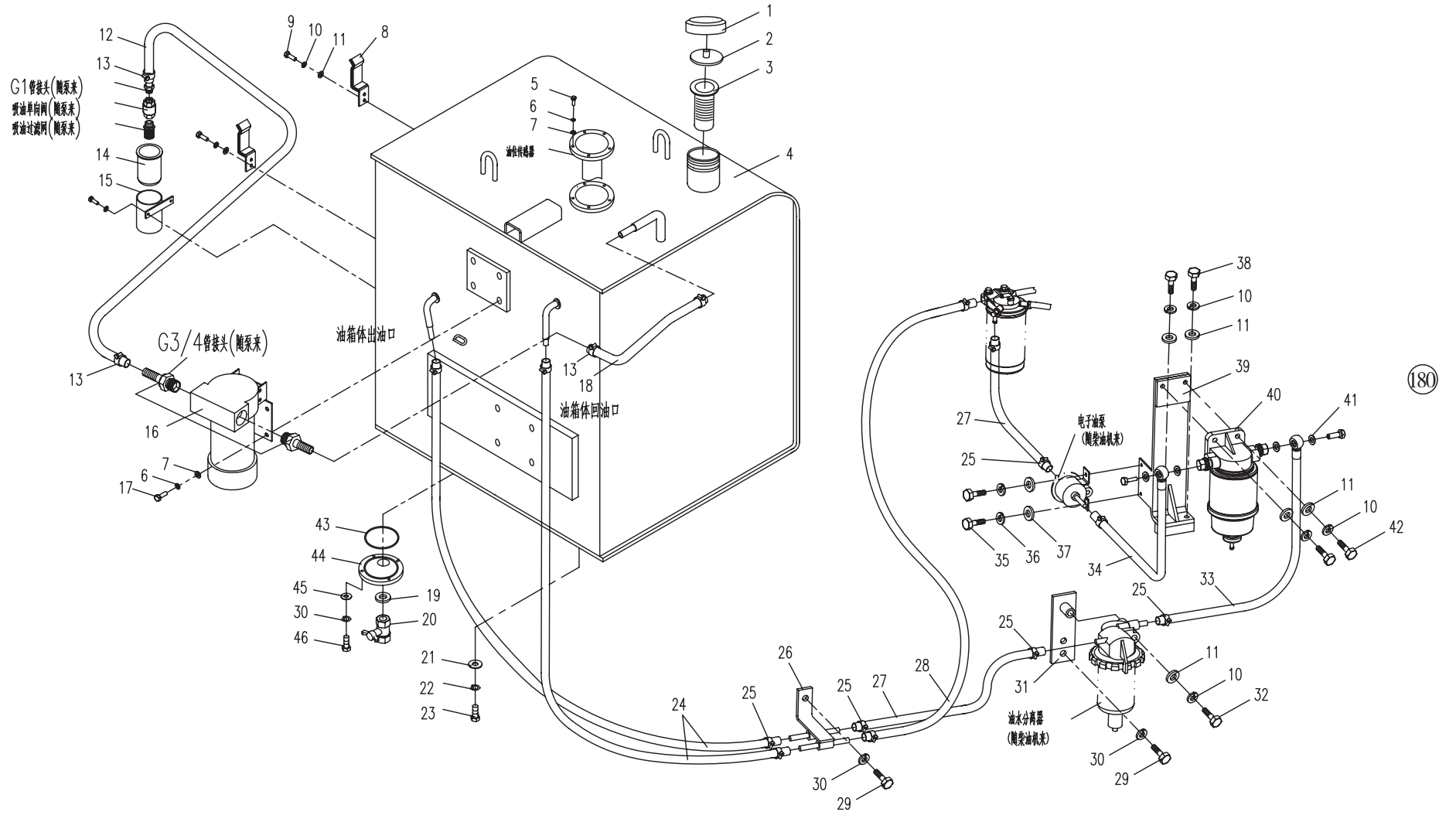
12.5.2 燃油系统（适用850H02,850H03机型） FUEL SYSTEM (APPLY TO 850H02,850H03 TYPE)



12.5.2 燃油系统（适用850H02,850H03机型） FUEL SYSTEM (APPLY TO 850H02,850H03 TYPE)

序号 No.	数量 Quantity	代号 Code	名称 Description		备注 Remark
28	1	853D-1211001	回油管	Fuel-return pipe	
29	3	M10×25 GB/T5783	六角头螺栓	Bolt	8. 8-Zn. D
30	7	10 GB/T93	弹簧垫圈	Spring washer	Zn. D
31	1	853D-1211300	油水分离器支架	Bracket of fuel prefilter	
32	1	M8×70 GB/T5782	六角头螺栓	Bolt	8. 8-Zn. D
33	1	858-1205002	供油管II	Fuel pipe II	
34	1	853D-1211002	供油管III	Fuel pipe III	
35	2	M6×16 GB/T5783	六角头螺栓	Bolt	8. 8-Zn. D
36	2	6 GB/T93	弹簧垫圈	Spring washer	Zn. D
37	2	6 GB/T97.1	平垫圈	Washer	Zn. D
38	2	M8×45 GB/T5783	六角头螺栓	Bolt	8. 8-Zn. D
39	1	850H-1205200	柴滤支架	Fuel-filter bracket	
40	1	850-1205300	柴油预滤器	Fuel prefilter	
41	4	14 JB/T982	组合密封垫	Combinatory	
42	2	M8×25 GB/T5783	六角头螺栓	Bolt	8. 8-Zn. D
43	1	118×2.65 GB/T3452.1	O型橡胶密封圈	O seal ring	丁腈橡胶
44	1	853D-1205200	底盖组件	Bottom cover	
45	4	10 GB/T97.1	平垫圈	Washer	Zn. D
46	4	M10×30 GB/T5783	六角头螺栓	Bolt	8. 8-Zn. D

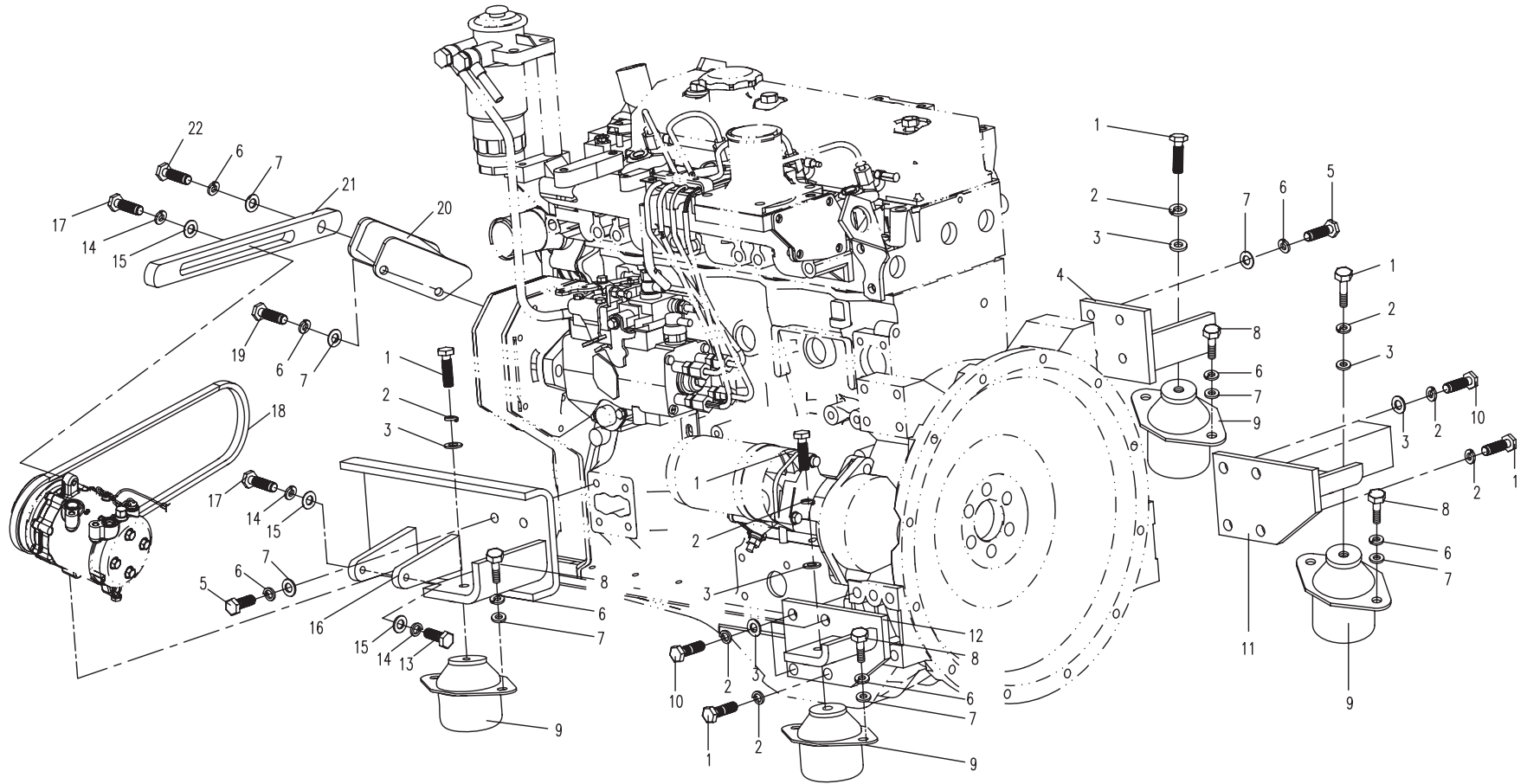
12.5.2 燃油系统（适用850H02,850H03机型） FUEL SYSTEM (APPLY TO 850H02,850H03 TYPE)



12.6.1 支承(适用850H01机型) SUPPORT(APPLY TO 850H01 TYPE)

序号 No.	数量 Quantity	代号 Code	名称 Description		备注 Remark
1	6	M12×30 GB/T5783	六角头螺栓	Bolt	10.9-达克罗
2	12	12 GB/T93	平垫圈	Washer	Zn. D
3	11	12 GB/T97.1	弹簧垫圈	Spring washer	Zn. D
4	1	850-1209100	右前支架	Front-right bracket	
5	8	M10×30 GB/T5783	六角头螺栓	Bolt	10.9-达克罗
6	19	10 GB/T93	平垫圈	Washer	Zn. D
7	19	10 GB/T97.1	弹簧垫圈	Spring washer	Zn. D
8	8	M10×25 GB/T5783	六角头螺栓	Bolt	10.9-达克罗
9	4	850-1208200	减震器	Shock absorber	
10	6	M12×35 GB/T5783A	六角头螺栓	Bolt	10.9-达克罗
11	1	850-1212100	右后支架	Rear-right bracket	
12	1	850-1211100	左后支架	Rear-left bracket	
13	1	M8×35 GB/T5783	六角头螺栓	Bolt	10.9-达克罗
14	5	8 GB/T93	弹簧垫圈	Spring washer	
15	5	8 GB/T97.1	平垫圈	Washer	
16	1	850D-1201100	左前支架	Front-left bracket	
17	2	M8×30 GB/T5783	六角头螺栓	Bolt	10.9-达克罗
18	1	850D-1201001	空调皮带	Air-condition strap	
19	2	M8×80 GB/T5782	六角头螺栓	Bolt	10.9-达克罗
20	1	850D-1201200	压缩机调节支架	Bracket	
21	1	850-1208001B	张紧杆	Tension stay bar	
22	2	M10×25 GB/T5783	六角头螺栓	Bolt	8.8-Zn. D

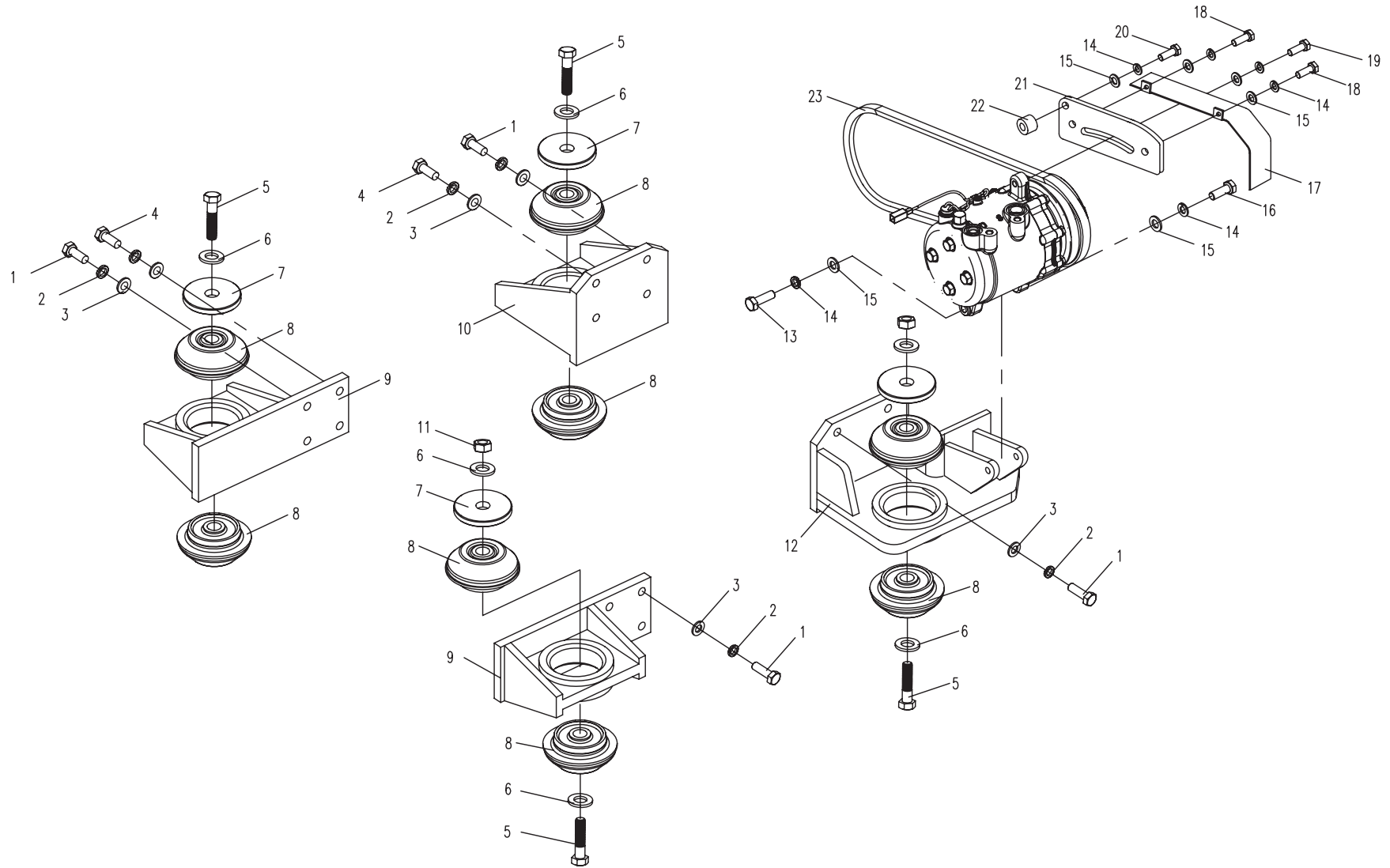
12.6.1 支承(适用850H01机型) SUPPORT(APPLY TO 850H01 TYPE)



12.6.2 支承(适用850H02,850H03机型) SUPPORT (APPLY TO 850H02,850H03 TYPE)

序号 No.	数量 Quantity	代号 Code	名称 Description		备注 Remark
1	12	M10×30 GB/T5783	六角头螺栓	Bolt	10.9-达克罗
2	16	10 GB/T93	弹簧垫圈	Spring washer	
3	16	10 GB/T97.1	平垫圈	Washer	
4	4	M10×35 GB/T5783	六角头螺栓	Bolt	10.9-达克罗
5	4	M16×120 GB/T5782	六角头螺栓	Bolt	10.9-达克罗
6	6	16 GB/T97.1	平垫圈	Washer	8.8-Zn. D
7	4	860-1207001	上减振垫盖	Washer	
8	8	853D-1213100	减震器	Shock absorber	
9	2	853D-1215100	左后支架	Rear-left support	
10	1	853D-1213200	左前支架	Front-left support	
11	2	M16 GB/T889.1	嵌件六角锁紧螺母	Nut	8-Zn. D
12	1	850H-1214100	右前支架	Front-right support	
13	1	M8×35 GB/T5783	六角头螺栓	Bolt	10.9-达克罗
14	6	8 GB/T93	弹簧垫圈	Spring washer	
15	6	8 GB/T97.1	平垫圈	Washer	
16	1	M8x30 GB/T5783	六角头螺栓	Bolt	10.9-达克罗
17	1	850H-1204003	皮带护板	Baffle	
18	2	M8×12 GB/T5783	六角头螺栓	Bolt	8.8-Zn. D
19	1	M8×20 GB/T5783	六角头螺栓	Bolt	8.8-Zn. D
20	1	M8×50 GB/T5782	六角头螺栓	Bolt	10.9-达克罗
21	1	850H-1204002	支撑板	Bracket	
22	1	850H-1204001	垫块	Sleeve	
23	1	830P-1205002	空调皮带	Strap	

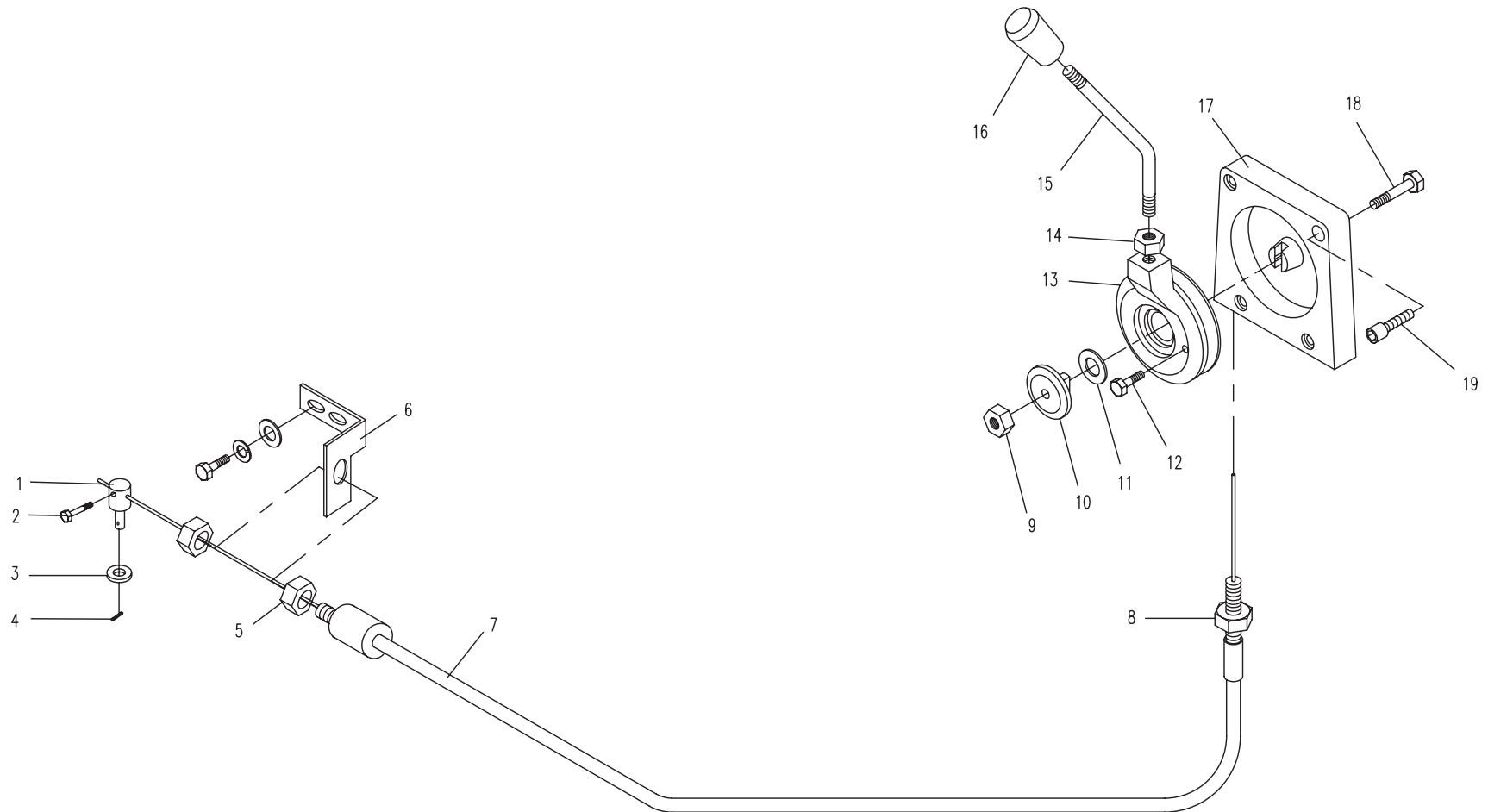
12.6.2 支承(适用850H02,850H03机型) SUPPORT (APPLY TO 850H02,850H03 TYPE)



12.7.1 油门操纵系统(适用850H01机型) THROTTLE CONTROL SYSTEM (APPLY TO 850H01 TYPE)

序号 No.	数量 Quantity	代号 Code	名称 Description		备注 Remark
1	1	860B-1208002	软轴固定销	Flexible fixation pin	
2	1	M5×10 GB/T29.2	十字槽六角头螺栓	Bolt	8. 8-Zn. D
3	1	6 GB/T97. 1	平垫圈	Washer	Zn. D
4	1	2×16 GB/T91	开口销	Hatch pin	Zn. D
5	2	M12 1.5 GB/T6173	六角薄螺母	Nut	Zn. D
6	1	860B-1208001	油门支架	Gun bracket	Zn. D
7	1	850-1206100	软管组件	Pipe assembly	
8	1	M10 1 GB/T6173	六角薄螺母	Nut	8-Zn. D
9	1	M6 GB/T889. 1	嵌件六角锁紧螺母	Nut	8-Zn. D
10	1	801-1206005	压板	Press board	
11	1	12 GB/T955	波形弹性垫圈	Washer	Zn. D
12	1	M5×16 GB/T5783	六角头螺栓	Bolt	
13	1	830-1206203	导轮	Idler pulley	
14	1	M8 GB/T6170	1型六角螺母	Nut	8-Zn. D
15	1	830-1206101	停车手柄	Parking handle	
16	1	801-1206200	手柄头	Handle head	
17	1	830-1206202	连接板	Connecting board	
18	1	M6×25 GB/T5783	六角头螺栓	Bolt	8. 8-Zn. D
19	2	M6×25 GB/T70. 1	内六角圆柱头螺钉	Bolt	8. 8-Zn. D

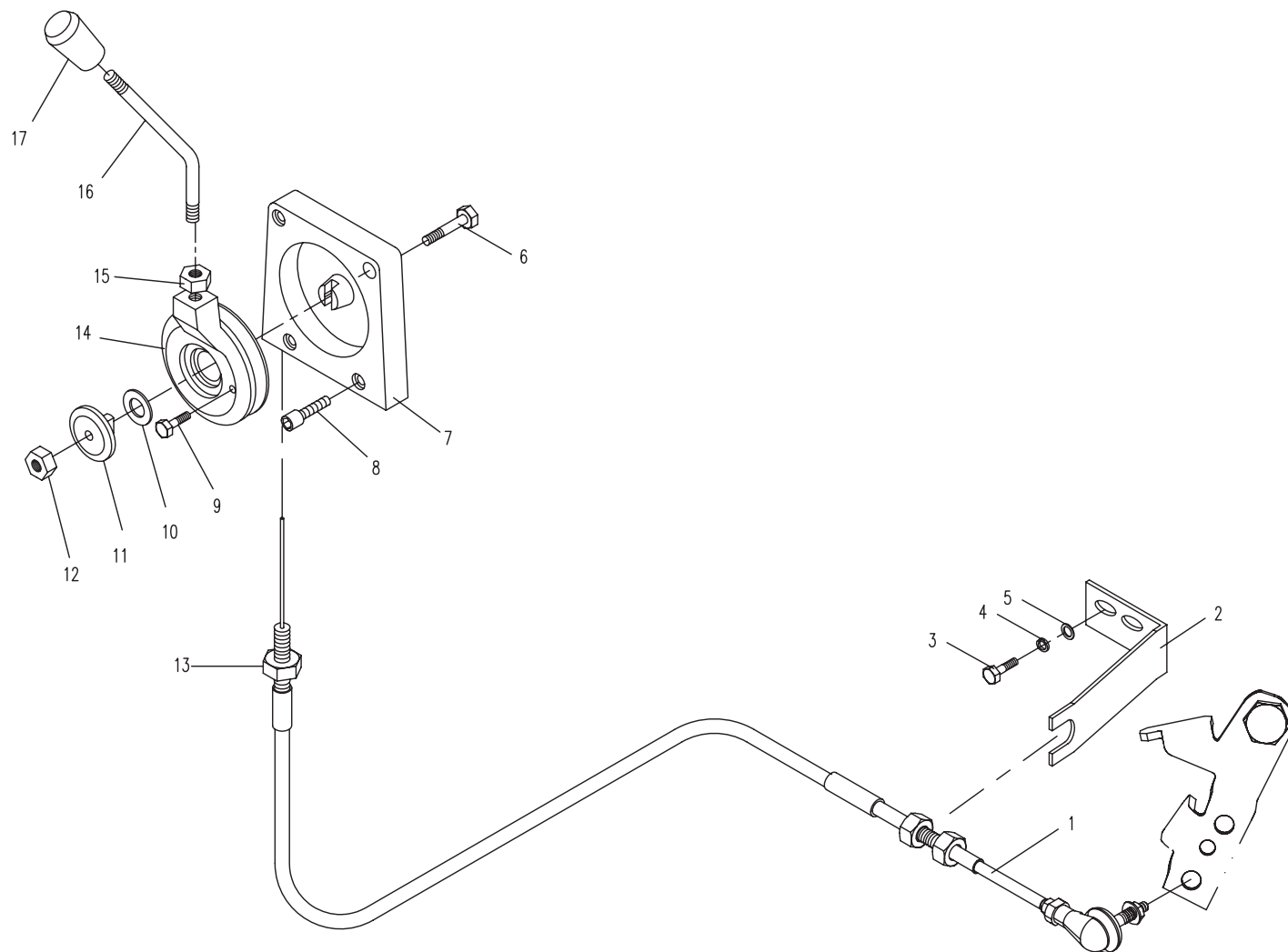
12.7.1 油门操纵系统(适用850H01机型) THROTTLE CONTROL SYSTEM (APPLY TO 850H01 TYPE)



12.7.2 油门操纵系统 (适用850H02,850H03机型) THROTTLE CONTROL SYSTEM (APPLY TO 850H02,850H03 TYPE)

序号 No.	数量 Quantity	代号 Code	名称 Description		备注 Remark
1	1	853D-1217100	油门拉线总成	Gun stay wire assembly	
2	1	853D-1217001	油门支架	Gun bracket	
3	2	M8×20 GB/T5783	六角头螺栓	Bolt	8. 8-Zn. D
4	2	8 GB/T93	弹簧垫圈	Spring washer	Zn. D
5	2	8 GB/T97.1	平垫圈	Washer	
6	1	M6×25 GB/T5783	六角头螺栓	Bolt	8. 8-Zn. D
7	1	830-1206202	连接板	Connecting board	
8	2	M6×25 GB/T70.1	内六角圆柱头螺钉	Bolt	8. 8-Zn. D
9	1	M5×16 GB/T5783	六角头螺栓	Bolt	
10	1	12 GB/T955	波形弹性垫圈	Washer	Zn. D
11	1	801-1206005	压板	Press board	
12	1	M6 GB/T889.1	嵌件六角锁紧螺母	Nut	8-Zn. D
13	1	M10 1 GB/T6173	六角薄螺母	Nut	8-Zn. D
14	1	830-1206203	导轮	Idler pulley	
15	1	M8 GB/T6170	1型六角螺母	Nut	8-Zn. D
16	1	801-1206200	手柄头	Handle head	
17	1	830-1206101	停车手柄	Parking handle	

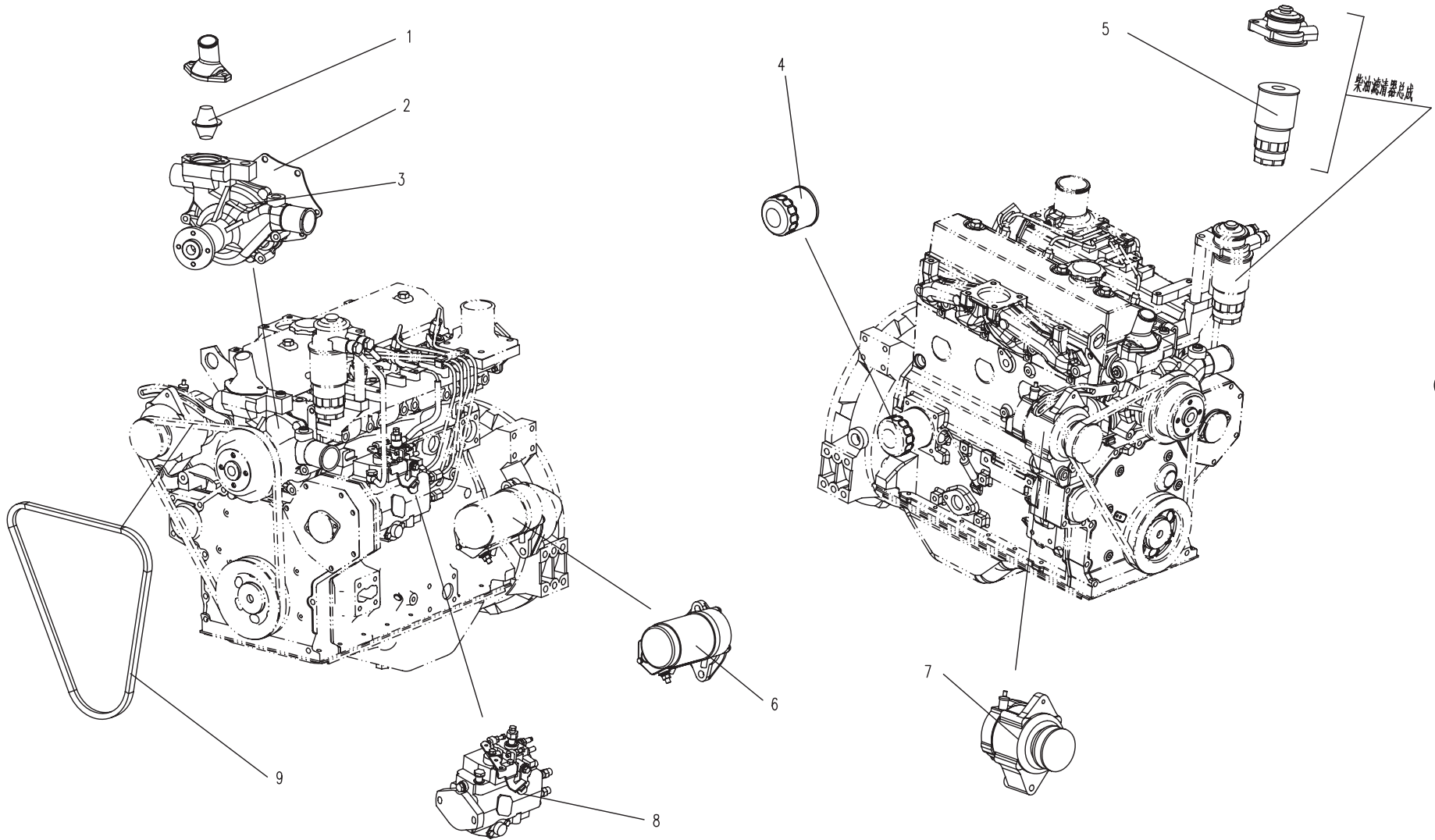
12.7.2 油门操纵系统 (适用850H02,850H03机型) THROTTLE CONTROL SYSTEM (APPLY TO 850H02,850H03 TYPE)



12.8.1 发动机备件(适用850H01机型) ENGINE SPARE PART (APPLY TO 850H01 TYPE)

序号 No.	数 量 Quantity	代 号 Code	名 称 Description		备 注 Remark
	1	850-1207000	发动机	Engine	
1	1	860B-1203700	节温器	Thermostat	3800884
2	1	860B-1203500	垫 (水泵用)	Washer	C6206611730
3	1	860B-1203400	水泵	Water pump	3800883
4	1	860B-1502300	机油滤清器	Lubricating oil filter	LF16011
5	1	860B-1502200	柴油滤清器 (滤芯)	Fuel-filter	FS19594
6	1	860B-1203200	起动机	Starting motor	C6008631310
7	1	860B-1203100	发电机	Alternator	C6008611611
8	1	860B-1203600	喷油泵	Injection pump	C6204711130
9	1	860B-1203300	风扇皮带	Fan belt	C0412021748

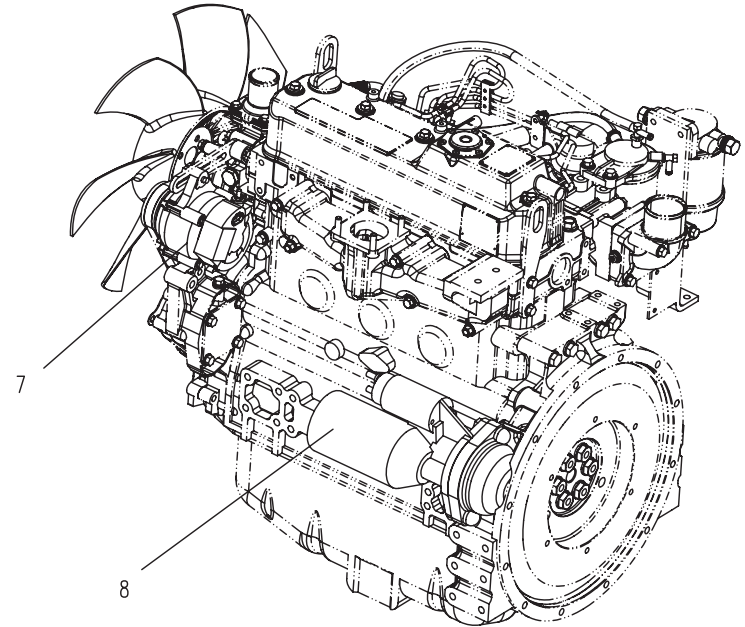
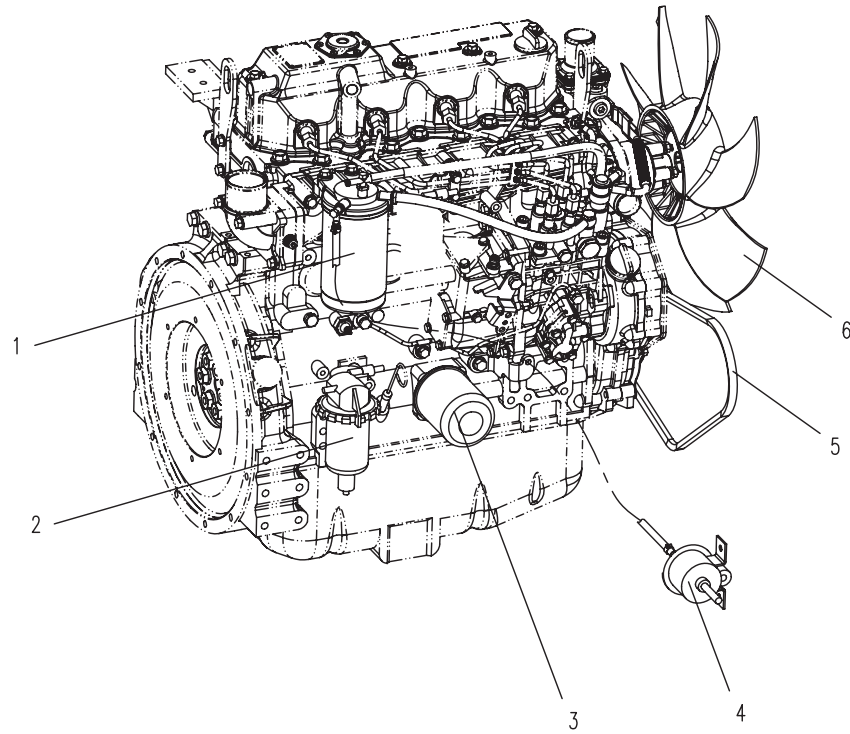
12.8.1 发动机备件(适用850H01机型) ENGINE SPARE PART (APPLY TO 850H01 TYPE)



12.8.2 发动机备件（适用850H02,850H03机型）ENGINE SPARE PART（APPLY TO 850H02,850H03 TYPE）

序号 No.	数量 Quantity	代号 Code	名称 Description		备注 Remark
	1	853D-1208000	发动机	Engine	适用850H02
		852A-1207000	发动机	Engine	适用850H03
1	1	853D-1208200	柴油滤芯	Fuel-filter	129907-55801
2	1	853D-1208800	油水分离器	Water-separator	119802-55700
3	1	853D-1208100	机油滤芯	Lubricating oil filter	119005-35151
4	1	853D-1208700	电子输油泵	Electron fuel pump	119225-52102
5	1	853D-1208600	风扇皮带	Fan belt	25132-004100
6	1	853D-1208500	风扇	Fan	129953-44710
7	1	853D-1208300	发电机	Alternator	119626-77210
8	1	853D-1208400	起动马达	Starting motor	123900-77010

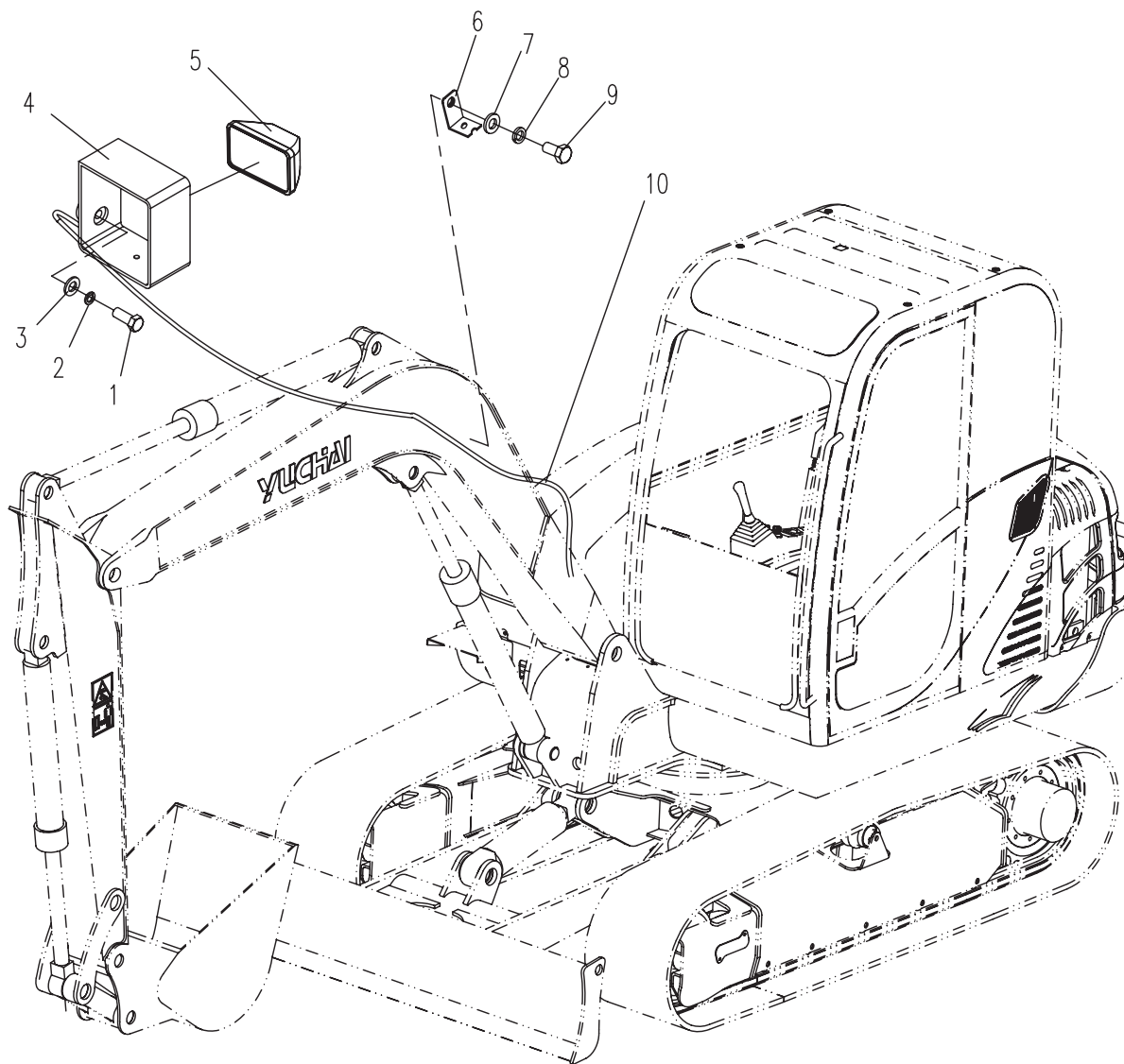
12.8.2 发动机备件 (适用850H02,850H03机型) ENGINE SPARE PART (APPLY TO 850H02,850H03 TYPE)



13.1.1 电气总装 I (适用850H01,850H02,850H03机型) ELECTRICAL ASSEMBLY I (APPLY TO 850H01,850H02,850H03 TYPE)

序号 No.	数 量 Quantity	代 号 Code	名 称 Description		备 注 Remark
1	1	M12X45 GB/T5783	六角头螺栓	Bolt	8.8-达克罗
2	1	12 GB/T93	弹簧垫圈	Spring washer	达克罗
3	1	12 GB/T97.1	平垫圈	Washer	达克罗
4	1	830E-1301100	动臂灯框架	Lamp bracket	
5	1	T0405-02211	工作灯	Work lamp	12V, 适用850H03
	1	T0405-02114	工作灯	Work lamp	12V, 适用850H01, 850H02
6	8	T0416-06001	线束安装块	Piece for fixing wire	
7	8	6 GB/T97.1	平垫圈	Washer	达克罗
8	8	6 GB/T93	弹簧垫圈	Spring washer	达克罗
9	8	M6x12 GB/T818	十字槽盘头螺钉	Bolt	8.8-达克罗
10	1	853D-1330100	主线束	Main wiring harness	12V, 适用850H01
	1	853D-1320100	主线束	Main wiring harness	12V, 适用850H02
	1	850H-1330100	主线束	Main wiring harness	12V, 适用850H03

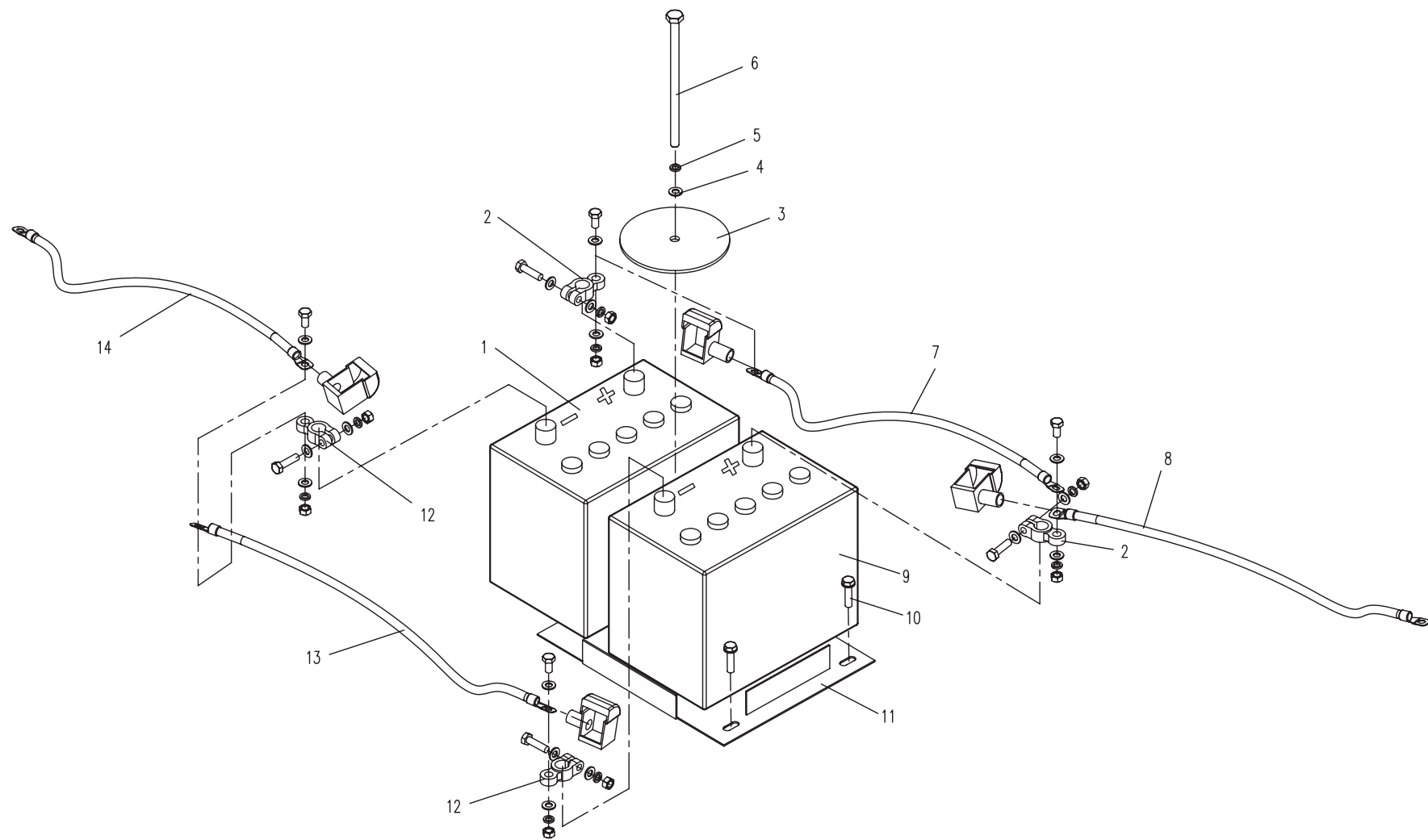
13.1.1 电气总装 I (适用850H01,850H02,850H03机型) ELECTRICAL ASSEMBLY I (APPLY TO 850H01,850H02,850H03 TYPE)



13.2.1 电池安装组(适用850H01,850H02,850H03机型) BATTERY ASSEMBLY (APPLY TO 850H01,850H02,850H03 TYPE)

序号 No.	数量 Quantity	代号 Code	名称 Description		备注 Remark
1	1	T0413-02102	蓄电池	Battery	6-QW-60LHD
2	2	T0416-01101	蓄电池正极接头	Connection nip for battery	
3	1	830D-1320001	固定环	Fixing ring	
4	1	10 GB/T97.1	平垫圈	Washer	
5	1	10 GB/T93	弹簧垫圈	Spring washer	
6	1	830D-1320002	固定杆	Fixing pole	
7	1	830E-1322010	蓄电池正极连线	Connect wire to the battery	
8	1	860-1320000	蓄电池正极线	Positive electrical wire	
9	1	T0413-02101	蓄电池	Battery	6-QW-60HD
10	4	M10 20 GB/T5789	六角法兰面螺栓	Bolt	8.8-达克罗
11	1	853D-1312100	蓄电池安装板	Fixing plate	
12	2	T0416-01102	蓄电池负极接头	Connection nip for battery	
13	1	830D-1300300	蓄电池连接线	Connect wire to the battery	
14	1	835-1302001	蓄电池负极线	Negative electrical wire	

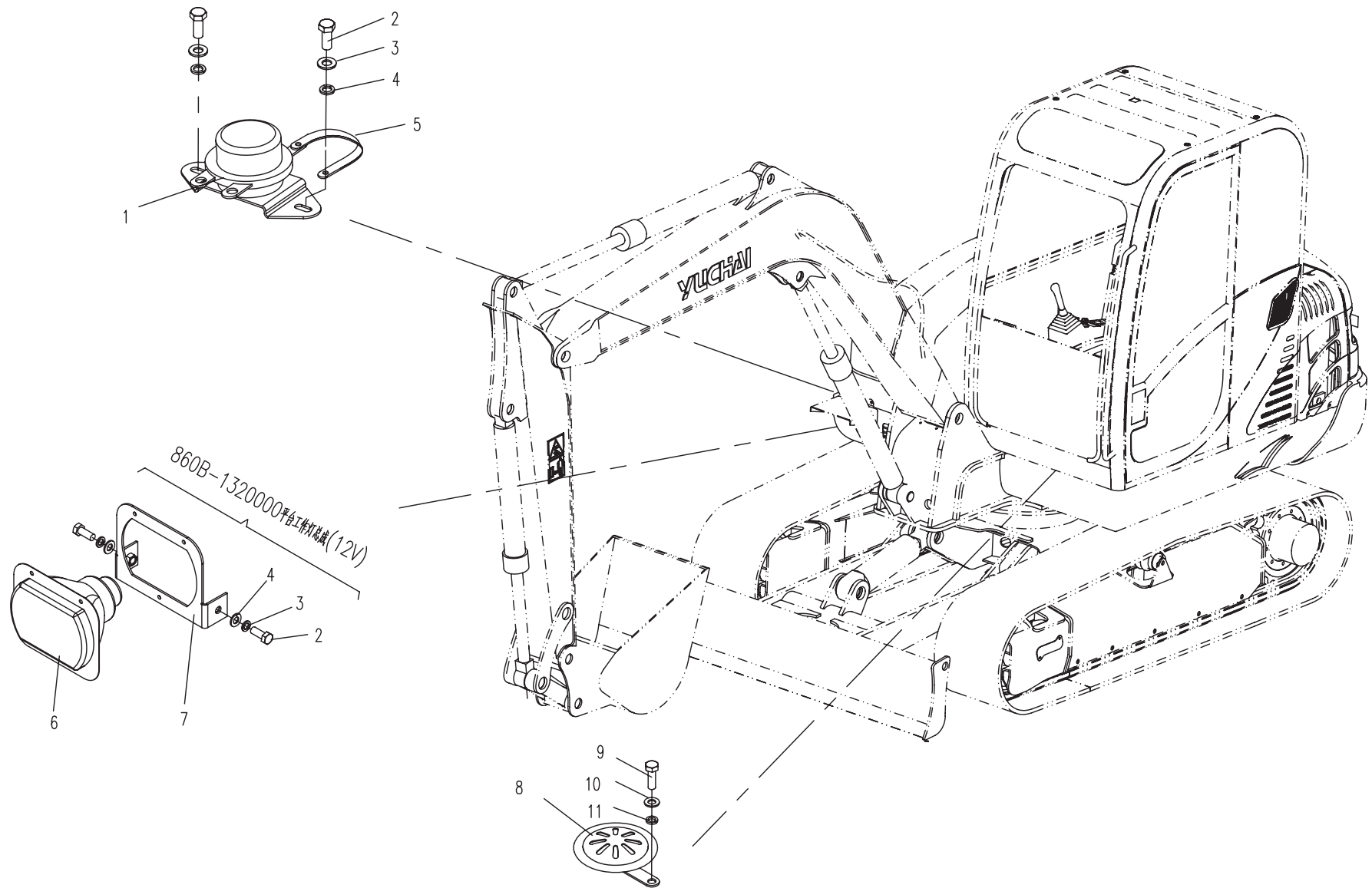
13.2.1 电池安装组(适用850H01,850H02,850H03机型) BATTERY ASSEMBLY (APPLY TO 850H01,850H02,850H03 TYPE)



13.3.1 平台电器总成(适用850H01,850H02,850H03机型) ELECTRICAL ASSEMBLY FOR PLATFORM (APPLY TO 850H01,850H02,850H03 TYPE)

序号 No.	数量 Quantity	代号 Code	名称 Description		备注 Remark
1	1	T0401-01112	电磁式电源总开关	Main switch	(12V)
2	2	M10x20 GB/T5783	六角头螺栓	Bolt	8.8-Zn.D
3	2	10 GB/T93	弹簧垫圈	Spring washer	Zn.D
4	2	10 GB/T97.1	平垫圈	Washer	Zn.D
5	1	830D-1300200	蓄电池搭铁线	Earthing wire	
6	1	T0405-02112	平台灯	Lamp	(12V), 用于850H01,850H02
7	1	830D-1331000	平台灯支架	Lamp bracket	(12V), 用于850H01,850H02
8	1	T0416-02102	电喇叭	Buzzer	(12V)
9	1	M8x20 GB/T5783	六角头螺栓	Bolt	8.8-Zn.D
10	1	8 GB/T93	弹簧垫圈	Spring washer	Zn.D
11	1	8 GB/T97.1	平垫圈	Washer	Zn.D

13.3.1 平台电器总成(适用850H01,850H02,850H03机型) ELECTRICAL ASSEMBLY FOR PLATFORM (APPLY TO 850H01,850H02,850H03 TYPE)

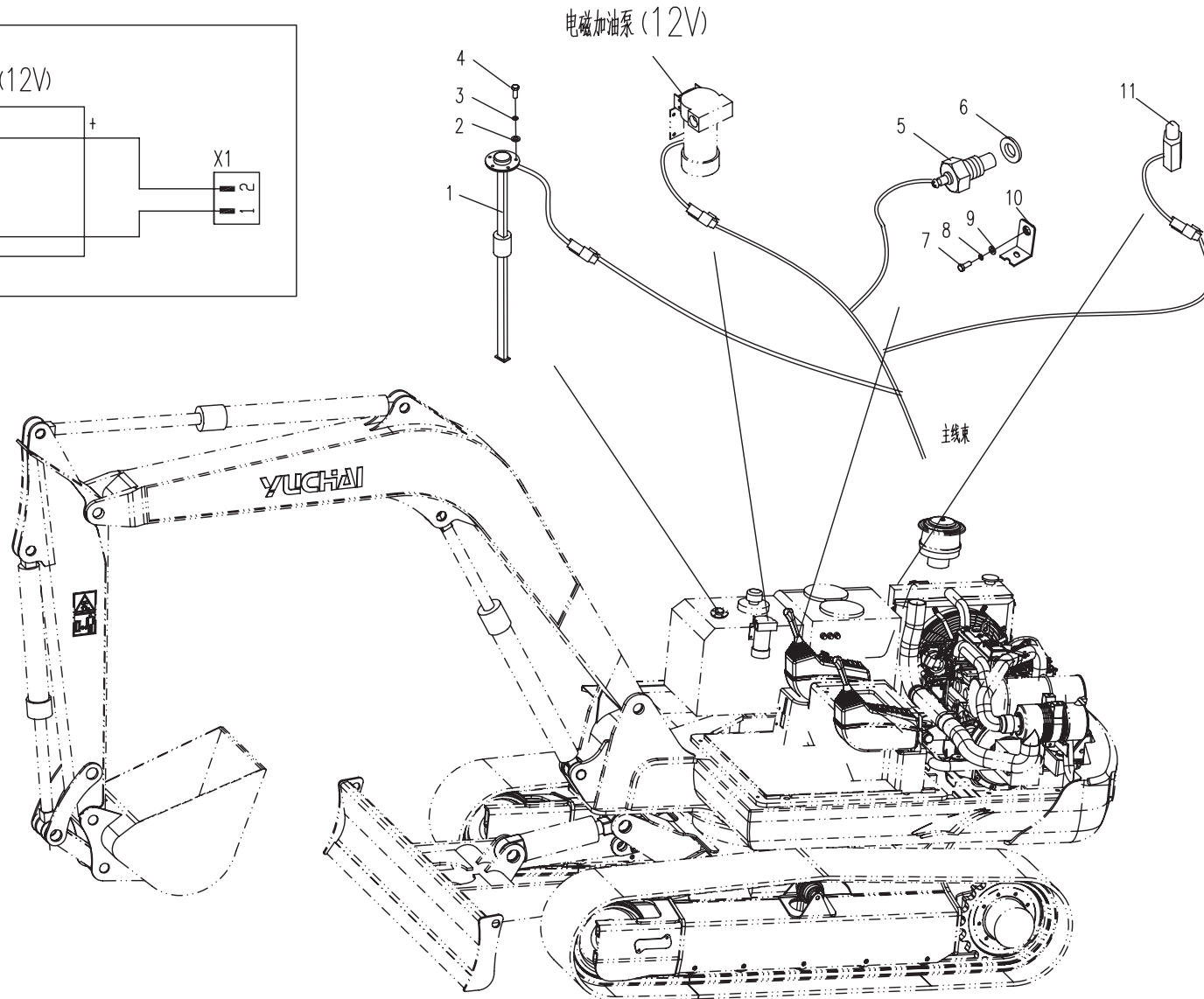
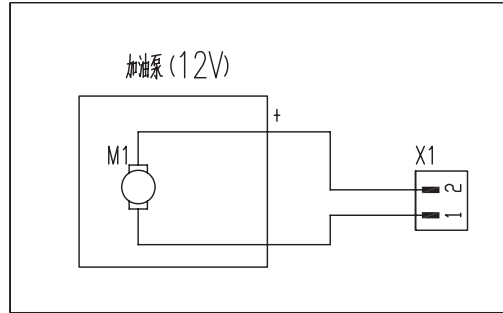


13.4.1 油箱电器总成(适用850H01,850H02,850H03机型) ELECTRICAL ASSEMBLY FOR TANK (APPLY TO 850H01,850H02,850H03 TYPE)

序号 No.	数量 Quantity	代号 Code	名称 Description		备注 Remark
1	1	T0411-15213	液位传感器	Fuel level sensor	L=410mm
2	5	5 GB/T97.1	平垫圈	Washer	Zn. D
3	5	5 GB/T93	弹簧垫圈	Spring washer	Zn. D
4	5	M5x12 GB/T5783	六角头螺栓	Bolt	8.8-Zn. D
5	1	T0411-01201	温度传感器	Temperature sensor	20~95°
6	1	14 BS/A14.7×21×1.5 ISO	组合密封垫	Combinatory washer	
7	1	M6x12 GB/T5783	六角头螺栓	Bolt	8.8-Zn.D
8	1	6 GB/T93	弹簧垫圈	Spring washer	
9	1	6 GB/T97.1	平垫圈	Washer	
10	1	T0416-06001	线束安装块	Piece for fixing wire	
11	1	T0411-10110	油滤报警开关	Oil filter switch	

13.4.1 油箱电器总成(适用850H01,850H02,850H03机型) ELECTRICAL ASSEMBLY FOR TANK (APPLY TO 850H01,850H02,850H03 TYPE)

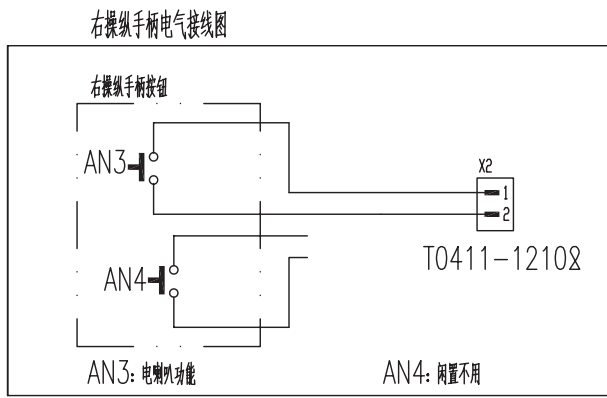
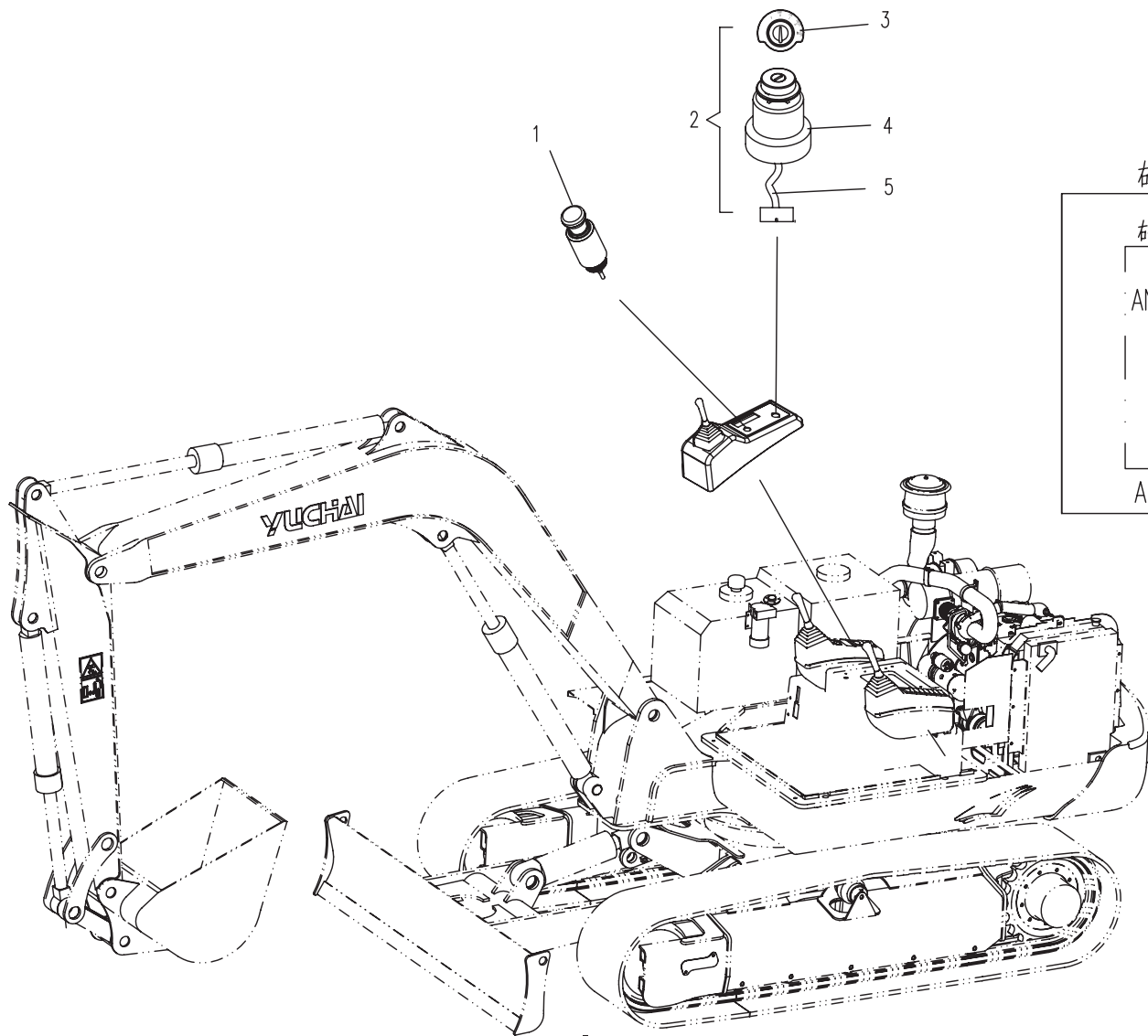
加油泵连接器接线图



13.5.1 操纵台电器总成 (适用850H01,850H02机型) ELECTRICAL ASSEMBLY FOR CONTROL(APPLY TO 850H01,850H02 TYPE)

序号 No.	数量 Quantity	代号 Code	名称 Description		备注 Remark
1	1	T0408-01111	点烟器	Cigarette lighter	(12V)
2	1	838A-1302000	起动开关总成	Switch assembly	(12V)
3	1	810H-1300101	起动开关标牌	Scutcheon	
4	1	T0401-04401	五位钥匙开关	Start key switch	
5	1	838A-1302100	起动开关线束	Wiring harness	(12V)

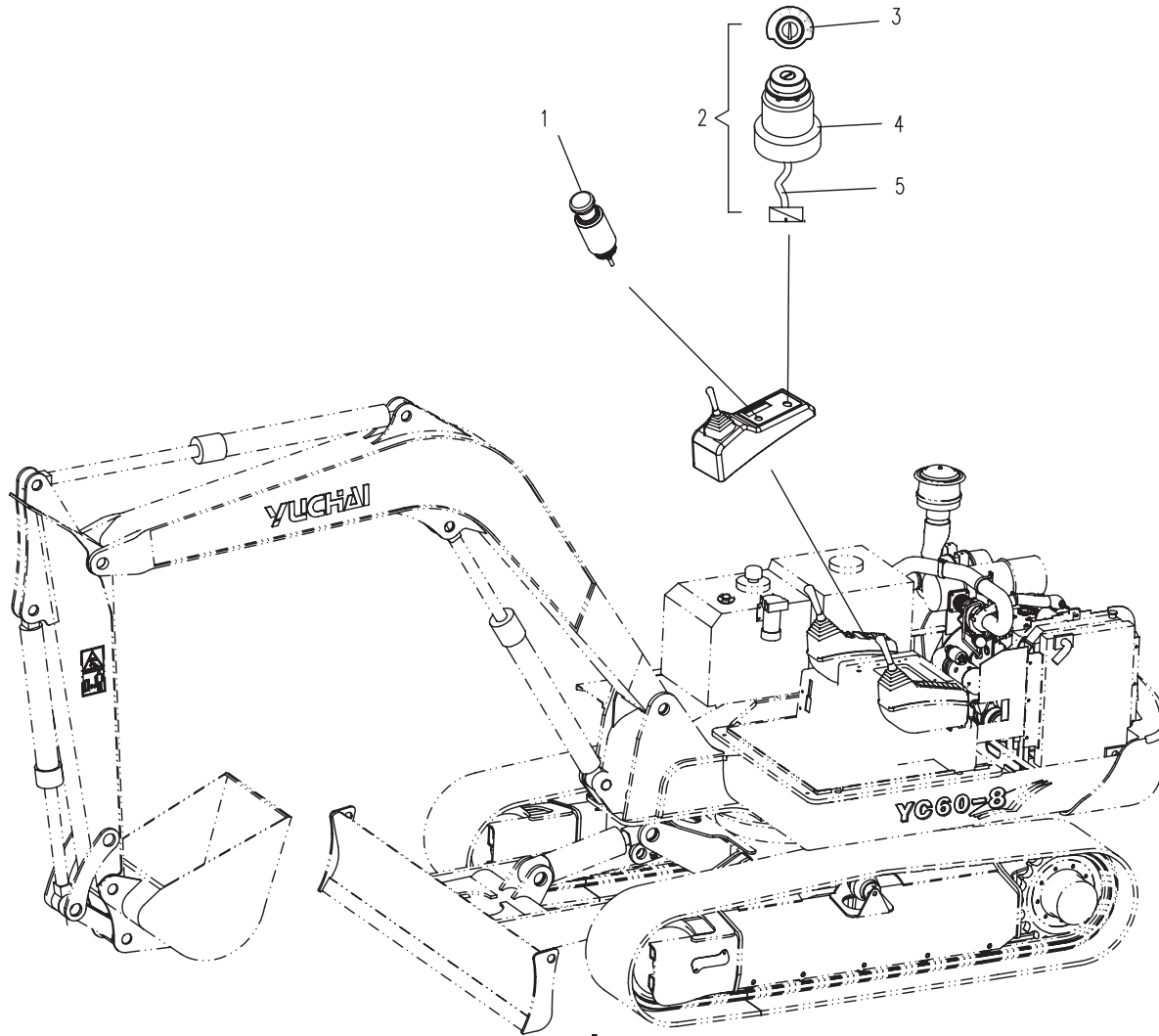
13.5.1 操纵台电器总成 (适用850H01,850H02机型) ELECTRICAL ASSEMBLY FOR CONTROL (APPLY TO 850H01,850H02 TYPE)



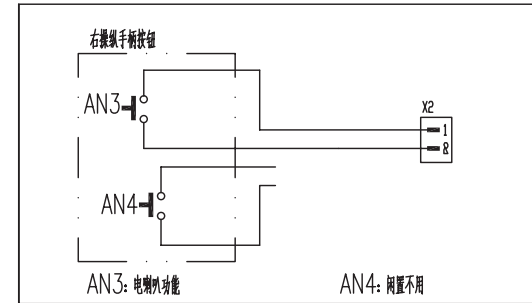
13.5.2 操纵台电器总成(适用850H03机型) ELECTRICAL ASSEMBLY FOR CONTROL(APPLY TO 850H03 TYPE)

序号 No.	数量 Quantity	代号 Code	名称 Description	备注 Remark
1	1	T0408-01111	点烟器 Cigarette lighter	(12V)
2	1	838A-1302000	起动开关总成 Switch assembly	(12V)
3	1	810H-1300101	起动开关标牌 Scutcheon	
4	1	T0401-04401	五位钥匙开关 Start key switch	
5	1	838A-1302100	起动开关线束 Wiring harness	(12V)

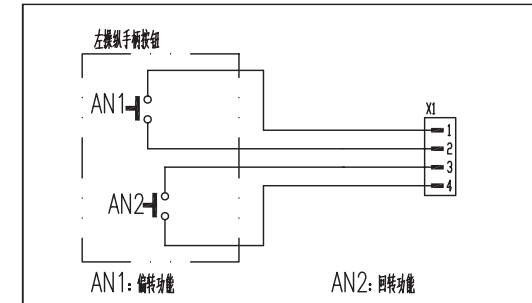
13.5.2 操纵台电器总成(适用850H03机型) ELECTRICAL ASSEMBLY FOR CONTROL(APPLY TO 850H03 TYPE)



右操纵手柄电气接线图



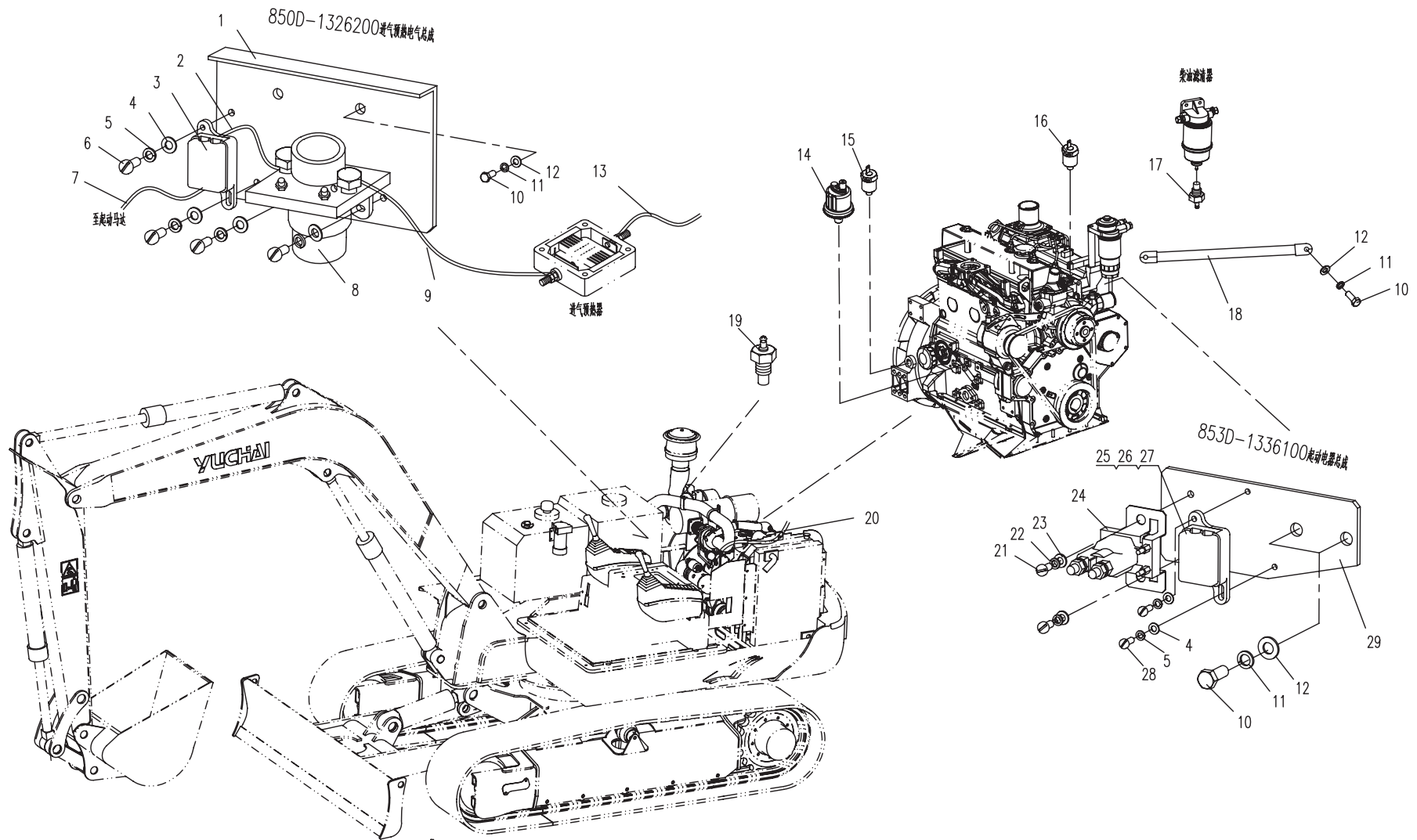
左操纵手柄电气接线图



13.6.1 发动机电器总成(适用850H01机型) ELECTRICAL ASSEMBLY FOR ENGINE(APPLY TO 850H01 TYPE)

序号 No.	数量 Quantity	代号 Code	名称 Description		备注 Remark
1	1	853A-1300401	安装板	Fixing plate	
2	1	853A-1300420	接触器连接电缆	Contact cable	
3	1	830H-1300110	二路熔断器	Two place fuse	
4	2	5 GB/T97.1	平垫圈	Washer	Zn.D
5	2	5 GB/T93	弹簧垫圈	Spring washer	Zn.D
6	4	M5x16 GB/T818	十字槽盘头螺钉	Bolt	
7	1	853A-1300430	预热器电源电缆	Preheater wire	
8	1	T0404-07112	MZJ 接触器	MZJ Contact	
9	1	853A-1300410	预热器正极电缆	Positive wire of preheater	
10	4	M10X20 GB/T5783	六角头螺栓	Bolt	8.8-Zn.D
11	4	10 GB/T93	弹簧垫圈	Spring washer	Zn.D
12	4	10 GB/T97.1	平垫圈	Washer	Zn.D
13	1	853A-1300440	预热器搭地电缆	Earthing cable of preheater	
14	1	T0411-03101	压力传感器	Pressure sensor	1/8 NPT
15	1	T0411-17103	转速传感器	Rotate speed sensor	M22X1.5
16	1	T0411-01101	温度传感器	Temperature sensor	水温, 3/8NPTF
17	1	T0411-14101	油水分离报警开关	Water in full alarm switch	随油滤器
18	1	830D-1300500	发动机搭铁线	Earthing wire	
19	1	T0411-12101	空滤报警开关	Backup switch	
20	1	853D-1330300	起动线束	Jump-start wiring harness	
21	2	M6X12 GB/T818	十字槽盘头螺钉	Bolt	8.8-Zn.D
22	2	6 GB/T93	弹簧垫圈	Spring washer	Zn.D
23	2	6 GB/T97.1	平垫圈	Washer	Zn.D
24	1	T0404-01211	起动继电器	Relay for startup	12V
25	1	T0402-01105	二路熔断器盒	Two place fuse box	
26	1	T0402-04103	二路熔断器保险片	Fuse	40A
27	1	T0402-04104	二路熔断器保险片	Fuse	50A
28	2	M5X12 GB/T65	开槽圆柱头螺钉	Bolt	8.8-Zn.D
29	1	850-1300101A	安装板	Fixing plate	

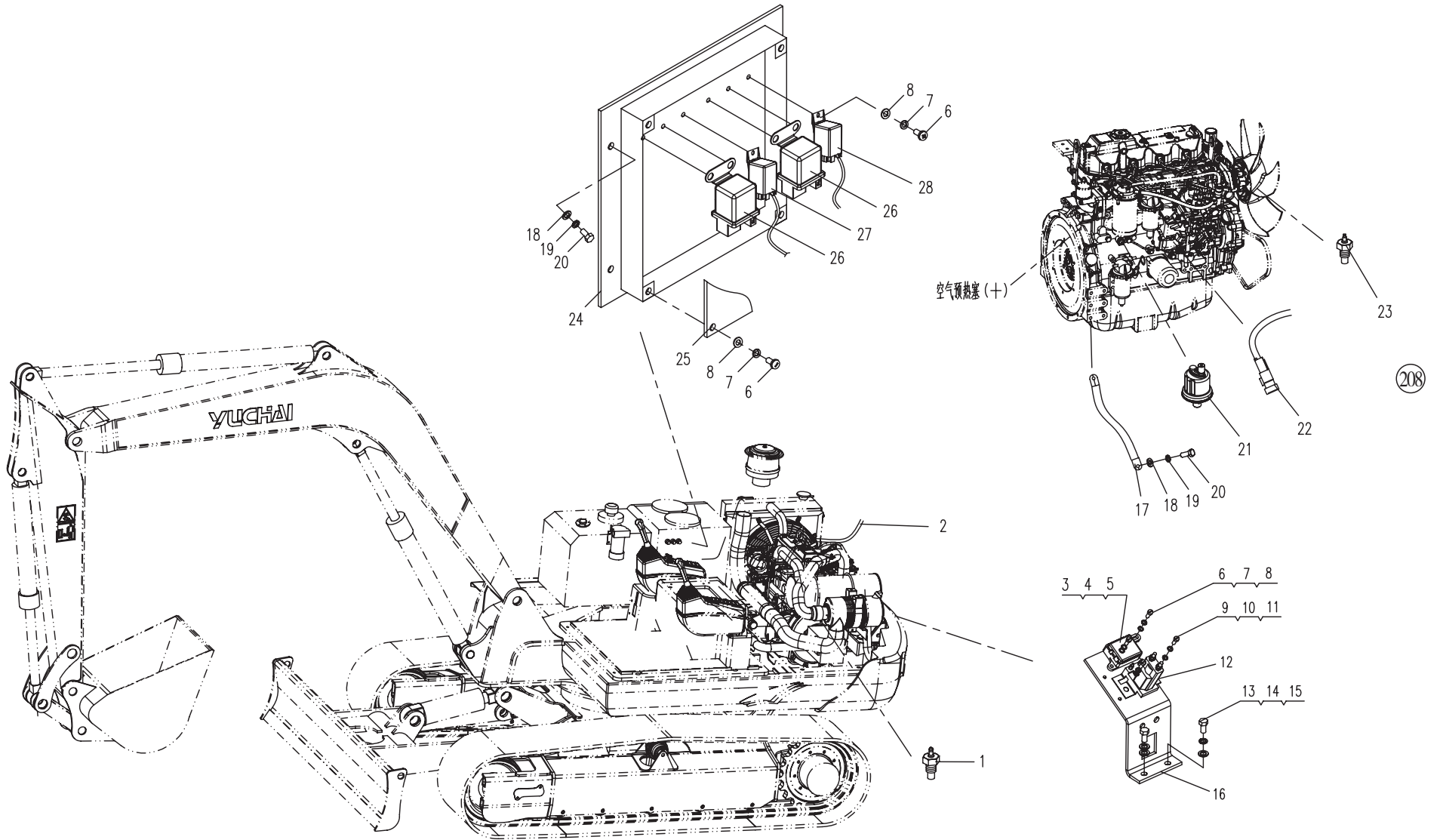
13.6.1 发动机电器总成(适用850H01机型) ELECTRICAL ASSEMBLY FOR ENGINE(APPLY TO 850H01 TYPE)



13.6.2 发动机电器总成(适用850H02,850H03机型) ELECTRICAL ASSEMBLY FOR ENGINE(APPLY TO 850H02,850H03 TYPE)

序号 No.	数量 Quantity	代号 Code	名称 Description		备注 Remark
1	1	T0411-12101	空滤报警器	Backup switch	
2	1	853D-1320300	起动线束	Jump-start wiring harness	适用850H02
	1	850H-1330300	起动线束	Jump-start wiring harness	适用850H03
3	1	T0402-01105	二路熔断器盒	Box	
4	1	T0402-04103	2路熔断器保险片	Fuse	40A
5	1	T0402-04104	2路熔断器保险片	Fuse	50A
6	2	M5X12 GB/T65	开槽圆柱头螺钉	Bolt	8.8-Zn.D
7	2	5 GB/T93	弹簧垫圈	Spring washer	Zn. D
8	2	5 GB/T97. 1	平垫圈	Washer	Zn.D
9	2	M6X12 GB/T65	开槽圆柱头螺钉	Bolt	8. 8-Zn. D
10	2	6 GB/T93	弹簧垫圈	Spring washer	Zn.D
11	2	6 GB/T97. 1	平垫圈	Washer	Zn. D
12	1	T0404-01211	起动继电器	Jump-start relay	12V
13	1	M8x16 GB/T5783	六角头螺栓	Bolt	8. 8-Zn. D
14	1	8 GB/T93	弹簧垫圈	Spring washer	Zn.D
15	1	8 GB/T97. 1	平垫圈	Washer	Zn. D
16	1	830D-1300801	安装板	Fixing plate	
17	1	830D-1300500	发动机搭铁线	Earthing wire	
18	6	10 GB/T97. 1	平垫圈	Washer	Zn.D
19	6	10 GB/T93	弹簧垫圈	Spring washer	Zn. D
20	6	M10x20 GB/T5783	六角头螺栓	Bolt	8.8-Zn.D
21	1	T0411-03101	压力传感器	Pressure sensor	
22	1	T0416-06101	续流包		
23	1	T0411-01101	温度传感器	Temperature sensor	
24	1	853D-1326210A	箱体	Box body	
25	1	853D-1326201A	盖板	Cover	
26	1	T0404-03111	预热继电器	Warm-up relay	JD191A-12V
27	1	T0404-08102	时间继电器	Time relay	HC0119(1.5Sec/12V)
28	1	T0404-08101	时间继电器	Time relay	HC0108(1.5Sec/12V)

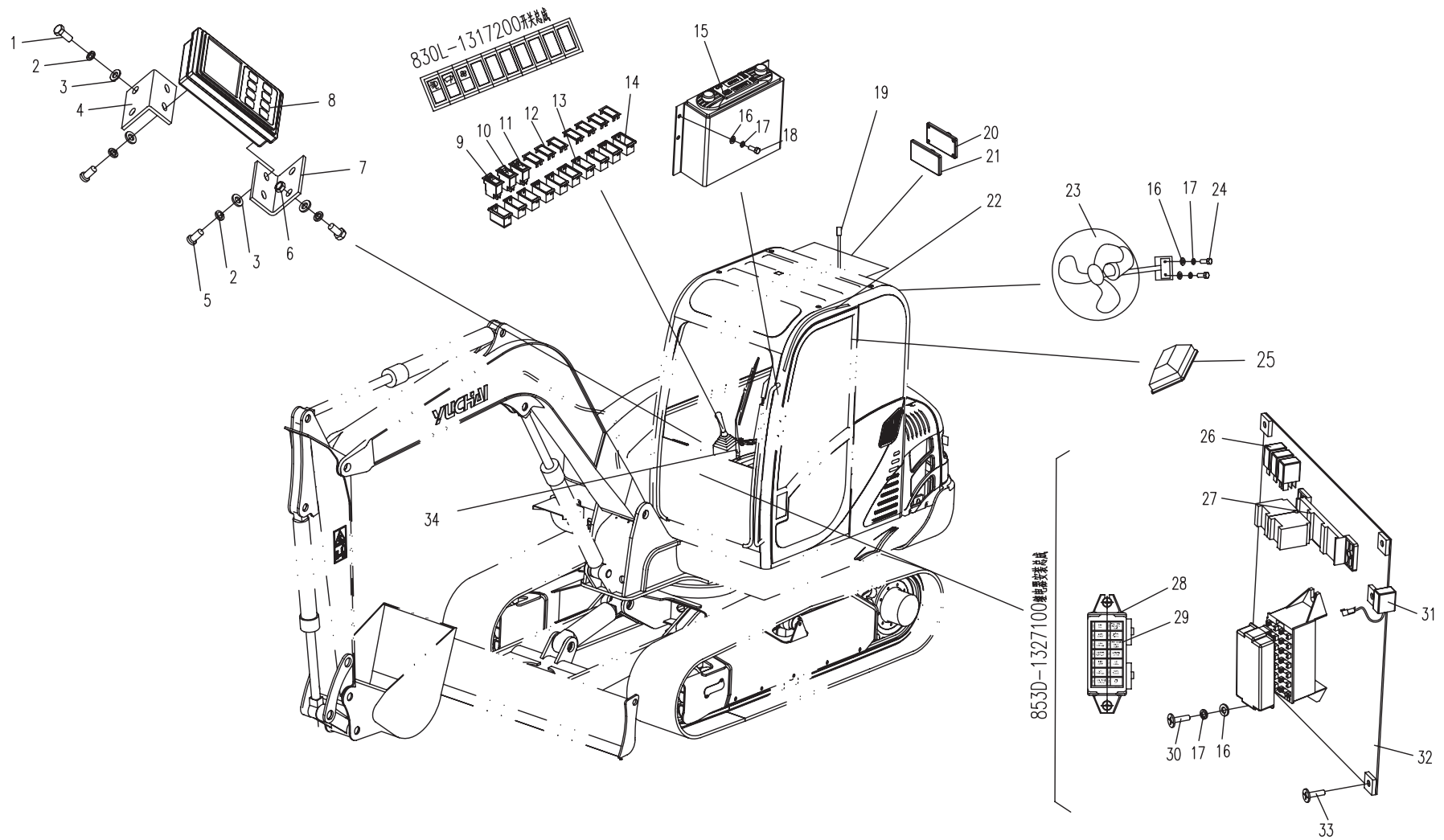
13.6.2 发动机电器总成(适用850H02,850H03机型) ELECTRICAL ASSEMBLY FOR ENGINE(APPLY TO 850H02,850H03 TYPE)



13.7.1 驾驶室电器总成(适用850H01,850H02机型) ELECTRICAL ASSEMBLY FOR CAB (APPLY TO 850H01,850H02 TYPE)

序号 No.	数量 Quantity	代号 Code	名称 Description		备注 Remark
1	4	M6×12 GB/T818	六角头螺栓	Bolt	
2	8	6 GB/T93	弹簧垫圈	Spring washer	Zn. D
3	8	6 GB/T97.1	平垫圈	Washer	Zn. D
4	1	830H-1300601	仪表安装板	Fixing plate	
5	4	M6×12 GB/T818	十字槽盘头螺钉	Bolt	
6	4	M6 BG/T6170	I型六角螺母	Nut	
7	1	830H-1300610	仪表安装板II	Fixing plate II	
8	1	T0412-04212	小挖专用监控器	Monitor assembly	
9	1	T0401-03201	工作灯开关	Work lamp Switch	
10	1	T0401-03202	雨刮开关	Wiper Switch	
11	1	T0401-03203	风扇开关	Fan Switch	
12	7	T0401-03303	盖板	Cover plate	
13	8	T0401-03302	中间单框架	Middle Single Frame	
14	2	T0401-03301	侧边单框架	Side Single Frame	
15	1	T0409-01110	收音机	Radio	12V
16	19	5 GB/T97.1	平垫圈	Washer	Zn. D
17	19	5 GB/T93	弹簧垫圈	Spring washer	Zn. D
18	4	M5×12 GB/T70.1	内六角圆柱头螺钉	Bolt	8. 8-Zn. D
19	1	T0409-02101	收音机天线	Radiogram antenna	
20	2	T0409-15101	扬声器	Speaker	
21	2	T0409-06203	扬声器盖	Cover speaker	
22	1	830H-1310600	驾驶室线束	CAB wiring harness	
23	1	T0407-11111	电风扇	Fan	12V
24	2	M5×16 GB/T70.1	内六角圆柱头螺钉	Bolt	8. 8-Zn. D
25	1	T0405-13211	顶灯	Top lamp	12V (随驾驶室供)
26	2	T0404-02411	通用继电器	Relay	12V
27	1	T0416-04001	继电器座架	Relay bracket	
28	1	853D-1317110	十四路熔断器	14 place fuse	

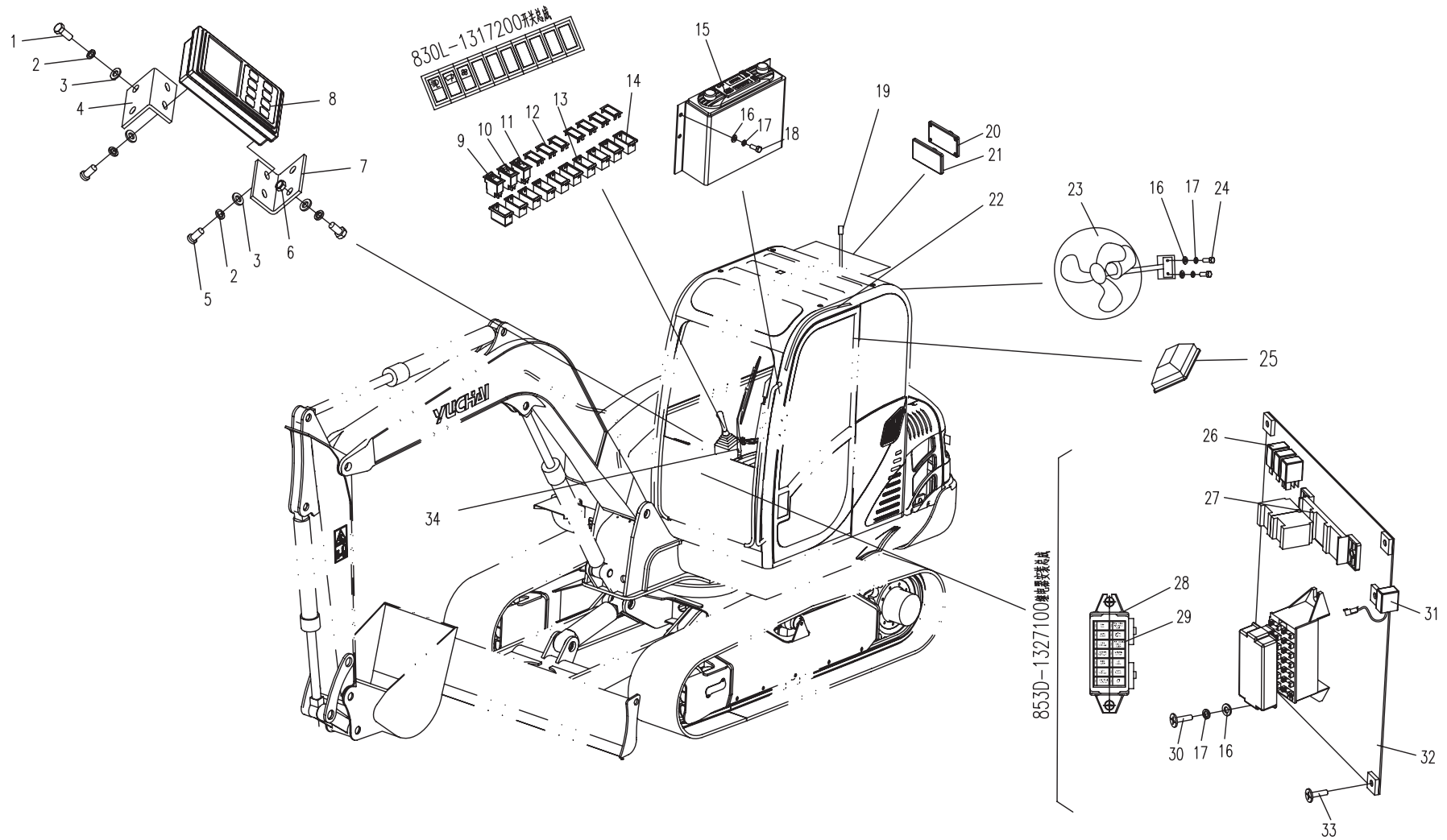
13.7.1 驾驶室电器总成(适用850H01,850H02机型) ELECTRICAL ASSEMBLY FOR CAB (APPLY TO 850H01,850H02 TYPE)



13.7.1 驾驶室电器总成(适用850H01,850H02机型) ELECTRICAL ASSEMBLY FOR CAB (APPLY TO 850H01,850H02 TYPE)

序号 No.	数量 Quantity	代号 Code	名称 Description		备注 Remark
29	1	853D-1317101	十四路熔断器标签	Tag for 14 place fuse	
30	5	M5×12 GB/T818	十字槽沉头螺钉	Bolt	
31	1	T0416-15101	蜂鸣器	Buzzer	12V
32	1	830H-1300420	安装板	Build in board	
33	1	M6×12 GB/T5789	六角法兰面螺栓	Bolt	8.8-Zn.D
34	1	T0406-12111	雨刮器	Wiper	12V (随驾驶室供)

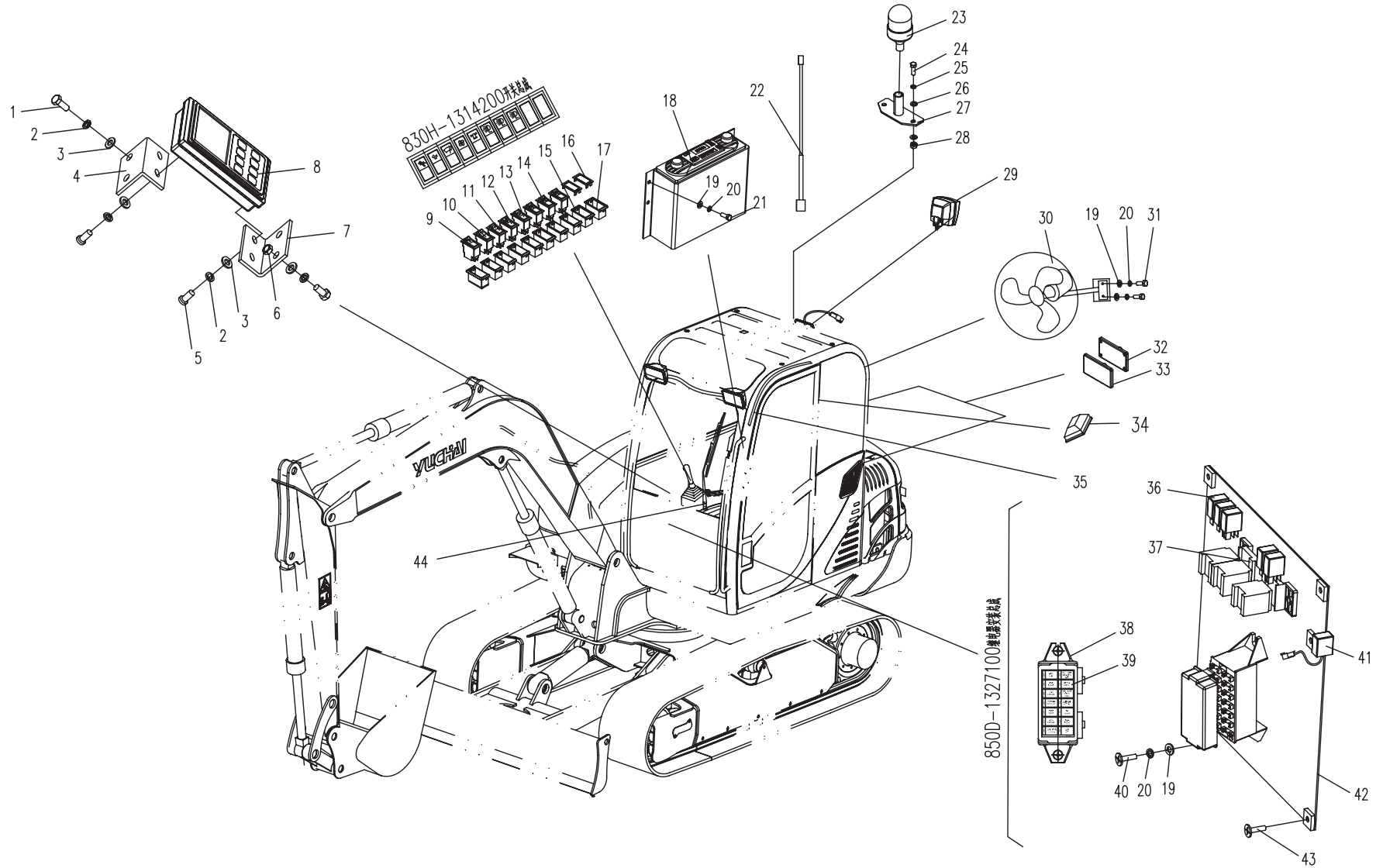
13.7.1 驾驶室电器总成(适用850H01,850H02机型) ELECTRICAL ASSEMBLY FOR CAB (APPLY TO 850H01,850H02 TYPE)



13.7.2 驾驶室电器总成(适用850H03机型) ELECTRICAL ASSEMBLY FOR CAB (APPLY TO 850H03 TYPE)

序号 No.	数量 Quantity	代号 Code	名称 Description		备注 Remark
1	4	M6×12 GB/T818	六角头螺栓	Bolt	
2	8	6 GB/T93	弹簧垫圈	Spring washer	Zn.D
3	8	6 GB/T97.1	平垫圈	Washer	Zn.D
4	1	830H-1300601	仪表安装板	Fixing plate	
5	4	M6×12 GB/T818	十字槽盘头螺钉	Bolt	
6	4	M6 BG/T6170	I型六角螺母	Nut	
7	1	830H-1300610	仪表安装板II	Fixing plate II	
8	1	T0412-04212	小挖专用监控器	Monitor assembly	
9	1	T0405-07201	偏转指示灯	Indicator light of swing	
10	1	T0401-03210	高速行驶开关	Tread speed switch	
11	1	T0401-03202	雨刮开关	Wiper Switch	
12	1	T0401-03203	风扇开关	Fan Switch	
13	1	T0401-03205	警示灯开关	Alarm lamp switch	
14	3	T0401-03201	工作灯开关	Work lamp Switch	
15	8	T0401-03302	中间单框架	Middle Single Frame	
16	7	T0401-03303	盖板	Cover plate	
17	2	T0401-03301	侧边单框架	Side Single Frame	
18	1	T0409-01110	收音机	Radio	12V
19	9	5 GB/T97.1	平垫圈	Washer	Zn.D
20	9	5 GB/T93	弹簧垫圈	Spring washer	Zn.D
21	2	M5×12 GB/T70.1	内六角圆柱头螺钉	Bolt	8.8-Zn.D
22	1	T0409-02101	收音机天线	Radiogram antenna	
23	1	T0405-04211	警示灯	Caution light	
24	2	M8×20 GB/T5783	六角头螺栓	Bolt	8.8-达克罗
25	2	8 GB/T93	弹簧垫圈	Spring washer	达克罗
26	2	8 GB/T97.1	平垫圈	Washer	达克罗
27	1	T0416-04002	警示灯支架	Caution light bracket	
28	2	M8 GB/T6170	I型六角螺母	Nut	8-达克罗

13.7.2 驾驶室电器总成(适用850H03机型) ELECTRICAL ASSEMBLY FOR CAB (APPLY TO 850H03 TYPE)



13.7.2 驾驶室电器总成(适用850H03机型) ELECTRICAL ASSEMBLY FOR CAB (APPLY TO 850H03 TYPE)

序号 No.	数量 Quantity	代号 Code	名称 Description		备注 Remark
29	3	T0405-12111	工作灯	Work lamp	12V
30	1	T0407-11111	电风扇	Fan	12V
31	2	M5×16 GB/T70.1	内六角圆柱头螺钉	Bolt	8.8-Zn.D
32	2	T0409-15101	扬声器	Speaker	
33	2	T0409-06203	扬声器盖	Cover speaker	
34	1	T0405-13211	顶灯	Top lamp	12V (随驾驶室供)
35	1	830H-1310600	驾驶室线束	CAB wiring harness	
36	5	T0404-02412	通用继电器	Relay	12V
37	1	T0416-04001	继电器座架	Relay bracket	
38	1	830E-1303010	十四路熔断器	14 place fuse	
39	1	830H-1300401	十四路熔断器标签	Tag for 14 place fuse	
40	5	M5×12 GB/T818	十字槽沉头螺钉	Bolt	
41	1	T0416-15101	蜂鸣器	Buzzer	12V
42	1	830H-1300420	安装板	Build in board	
43	1	M6×12 GB/T5789	六角法兰面螺栓	Bolt	8.8-Zn.D
44	1	T0406-12111	雨刮器	Wiper	12V (随驾驶室供)

13.7.2 驾驶室电器总成(适用850H03机型) ELECTRICAL ASSEMBLY FOR CAB (APPLY TO 850H03 TYPE)

