

YC35SR 液压挖掘机零部件图册

SJ009/835-2011

玉柴重工有限公司

Yuchai Heavy Industry Co.,Ltd

备注：适用机器 8350400666,8350400667

目录 (INDEX)

01.1.1	底盘总成(适用83504 机型)	CHASSIS ASSEMBLY (APPLY TO 83504 TYPE)
02.1.1	回转平台(适用83504 机型)	SLEWING PLATFROM (APPLY TO 83504 TYPE)
03.1.1	推土装置(适用83504 机型)	DOZER EQUIPMENT (APPLY TO 83504 TYPE)
04.1.1	动臂安装(适用83504 机型)	BOOM ASSEMBLY (APPLY TO 83504 TYPE)
04.2.1	斗杆-连杆安装(适用83504 机型)	ARM-CONNECTING ROD ASSEMBLY (APPLY TO 83504 TYPE)
04.3.1	铲斗安装(适用83504 机型)	BUCKET ASSEMBLY (APPLY TO 83504 TYPE)
04.4.1	斗杆组件 (适用83504 机型)	ARM ASSEMBLY (APPLY TO 83504 TYPE)
04.5.1	连杆组件 (适用83504 机型)	CONNECTING ROD ASSEMBLY (APPLY TO 83504 TYPE)
05.1.1	液压油箱 (适用83504 机型)	OIL TANK (APPLY TO 83504 TYPE)
05.2.1	主液压系统-供油(适用83504 机型)	MAIN HYDRAULIC SYSTEM -OIL SUPPLY (APPLY TO 83504 TYPE)
05.3.1	主液压系统-回油 (适用83504 机型)	MAIN HYDRAULIC SYSTEM -OIL RETURN (APPLY TO 83504 TYPE)
05.4.1	主液压系统-中央回转接头(适用83504 机型)	MAIN HYDRAULIC SYSTEM-CENTRE SLEWING JOINT(APPLY TO 83504 TYPE)
05.5.1	主液压系统-回转与偏转(适用83504 机型)	MAIN HYDRAULIC SYSTEM-SLEWING AND SWING (APPLY TO 83504 TYPE)
05.6.1	主液压系统-翻转装置 (适用83504 机型)	MAIN HYDRAULIC SYSTEM-TURNOVER UNIT (APPLY TO 83504 TYPE)
05.7.1	主液压系统 -多路阀 (适用83504 机型)	MAIN HYDRAULIC SYSTEM-MULYI-CHANGE VALVE(APPLY TO 83504 TYPE)
35.1.1	保持阀液压系统 (适用83504 机型)	HYDRAULIC SYSTEM FOR LOAD HOLDING VALVES(APPLY TO 83504 TYPE)
65.1.1	附属装置液压系统 1 (适用83504 机型)	HYDRAULIC SYSTEM FOR ATTACHMENT EQUIPMENT 1 (APPLY TO 83504 TYPE)
65.2.1	附属装置液压系统 2 (适用83504 机型)	HYDRAULIC SYSTEM FOR ATTACHMENT EQUIPMENT 2 (APPLY TO 83504 TYPE)
75.1.1	行走装置液压系统 (适用83504 机型)	TRAVEL EQUIPMENT HYDRAULIC SYSTEM (APPLY TO 83504 TYPE)
75.2.1	推土装置液压系统 (适用83504 机型)	BULLDOZE EQUIPMENT HYDRAULIC SYSTEM (APPLY TO 83504 TYPE)
85.1.1	先导部分液压系统-供油(适用83504 机型)	HYDRAULIC SYSTEM FOR PILOT PART-OIL SUPPLY (APPLY TO 83504 TYPE)
85.2.1	先导部分液压系统-回油 (适用83504 机型)	HYDRAULIC SYSTEM FOR PILOT PART-OIL RETURN (APPLY TO 83504 TYPE)
85.3.1	先导部分液压系统-先导操纵(适用83504 机型)	HYDRAULIC SYSTEM FOR PILOT CONTROL (APPLY TO 83504 TYPE)
95.1.1	工作装置的液压系统(适用83504 机型)	HYDRAULIC SYSTEM FOR WORKING EQUIPMENT (APPLY TO 83504 TYPE)
06.1.1	操纵机构(适用83504 机型)	CONTROL FRAMEWORK (APPLY TO 83504 TYPE)
06.2.1	行走操纵(适用83504 机型)	HOOF FRAMEWORK (APPLY TO 83504 TYPE)

目录 (INDEX)

07.1.1	驾驶室安装1(适用83504 机型)	CAB SUBASSEMBLY 1 (APPLY TO 83504 TYPE)
07.2.1	驾驶室组件2 (适用83504 机型)	CAB SUBASSEMBLY 2 (APPLY TO 83504 TYPE)
07.3.1	驾驶室门安装(适用83504 机型)	CAB-DOOR ASSEMBLY(APPLY TO 83504 TYPE)
07.4.1	驾驶室移动窗组件(适用83504 机型)	CAB-MOVING WINDOW ASSEMBLY (APPLY TO 83504 TYPE)
07.5.1	驾驶室翻转窗组件(适用83504 机型)	CAB OVERTURN WINDOW ASSEMBLY(APPLY TO 83504 TYPE)
07.6.1	驾驶室内饰总成 (适用83504 机型)	CAB INTERIOR DECORATIONS ASSEMBLY (APPLY TO 83504 TYPE)
08.1.1	空调系统-制暖 (适用83504 机型)	AIR-CONDITION SYSTEM -CALEFACTION (APPLY TO 83504 TYPE)
08.2.1	空调系统-制冷 (适用83504 机型)	AIR-CONDITION SYSTEM -REFRIGERATION (APPLY TO 83504 TYPE)
09.1.1	覆盖件总成(适用83504 机型)	COVER FRAME MODULE (APPLY TO 83504 TYPE)
09.2.1	油箱罩总成 (适用83504 机型)	TANK COVER ASSEMBLY (APPLY TO 83504 TYPE)
10.1.1	发动机罩 (适用83504 机型)	ENGINE COVER HOOD (APPLY TO 83504 TYPE)
11.1.1	回转机构(适用83504 机型)	SLEWING SUPPORT (APPLY TO 83504 TYPE)
12.1.1	冷却系统 (适用83504 机型)	COOLING SYSTEM (APPLY TO 83504 TYPE)
12.2.1	进气系统 (适用83504 机型)	AIR INLET SYSTEM (APPLY TO 83504 TYPE)
12.3.1	排气系统(适用83504 机型)	EXHAUST SYSTEM (APPLY TO 83504 TYPE)
12.4.1	动力输出系统(适83504 机型)	POWER OUTPUT SYSTEM (APPLY TO 83504 TYPE)
12.5.1	支承(适用83504 机型)	SUPPORT(APPLY TO 83504 TYPE)
12.6.1	油门操纵系统(适用83504 机型)	THROTTLE CONTROL SYSTEM (APPLY TO 83504 TYPE)
12.7.1	燃油系统(适用83504 机型)	FUEL SYSTEM (APPLY TO 83504 TYPE)
13.1.1	电气总装 I (适用83504 机型)	ELECTRICAL ASSEMBLY I (APPLY TO 83504 TYPE)
13.2.1	蓄电池安装总成(适用83504 机型)	BATTERY ASSEMBLY (APPLY TO83504 TYPE)
13.3.1	平台电器总成(适用83504 机型)	ELECTRICAL ASSEMBLY FOR PLATFORM (APPLY TO 83504 TYPE)
13.4.1	油箱电器总成(适用83504 机型)	ELECTRICAL ASSEMBLY FOR TANK (APPLY TO 83504 TYPE)
13.5.1	操纵台电器总成(适用83504 机型)	ELECTRICAL ASSEMBLY FOR CONTROL(APPLY TO 83504 TYPE)PE)
13.6.1	发动机电器总成(适用83504 机型)	ELECTRICAL ASSEMBLY FOR ENGINE(APPLY TO 83504 TYPE)
13.7.1	起动机继电器安装总成 (适用83504 机型)	STARTER RELAY ASSMBLY (APPLY TO 83504 TYPE)

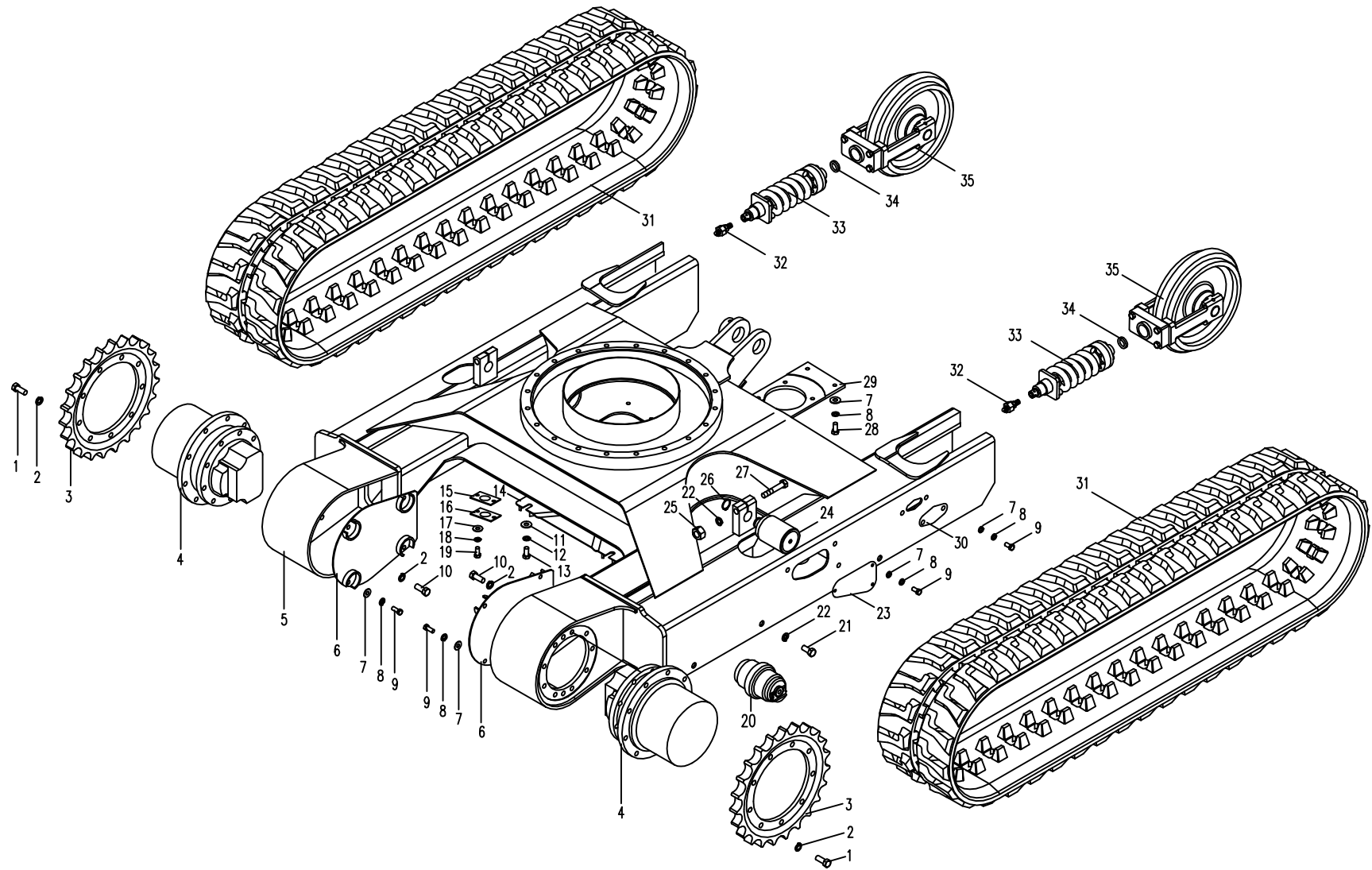
目录 (INDEX)

13.8.1	驾驶室电器总成(适用83504 机型)	ELECTRICAL ASSEMBLY FOR CAB (APPLY TO 83504 TYPE)
13.9.1	电气系统 接线图 (适用83504 机型)	ELECTRICAL SYSTEM WIRING DIAGRAM (APPLY TO 83504 TYPE)

01.1.1 底盘总成(适用83504机型) CHASSIS ASSEMBLY (APPLY TO 83504 TYPE)

序号 No.	数量 Quantity	代号 Code	名称 Description		备注 Remark
1	36	M12×35 GB/T5783	六角头螺栓	Bolt	12.9 达克罗
2	36	12 GB/T7244	重型弹性垫圈	Spring washer	Zn. D
3	2	815-0100002	驱动轮	Driving wheel	
4	2		行走马达	Traveling motor	
5	1	835-0101000	车架总成	Chassis assembly	
6	2	820-0108000	行走马达盖板	Traveling motor's cover plate	
7	22	10 GB/T97.1	平垫圈	Washer	Zn. D
8	22	10 GB/T93	弹簧垫圈	Spring washer	Zn. D
9	18	M10×20 GB/T5783	六角头螺栓	Bolt	8.8 Zn.D
10	1	M12×30 GB/T5783	六角头螺栓	Bolt	12.9 达克罗
11	4	12 GB/T97.1	平垫圈	Washer	Zn.D
12	4	12 GB/T93	弹簧垫圈	Spring washer	Zn.D
13	4	M12×25 GB/T5783	六角头螺栓	Bolt	8.8 Zn.D
14	1	820-0107000	封底板	Chassis cover plate	
15	1	825-0100002	密封垫	Cover	
16	1	825-0100001	油塞盖	Cover	
17	2	8 GB/T97.1	平垫圈	Washer	Zn.D
18	2	8 GB/T93	弹簧垫圈	Spring washer	Zn.D
19	2	M8×16 GB/T5783	六角头螺栓	Bolt	8.8 Zn.D
20	8	838A-0105000A	支重轮总成	Idler assembly	
21	16	M14×30 GB/T5783	六角头螺栓	Bolt	12.9 达克罗
22	18	14 GB/T93	弹簧垫圈	Spring washer	Zn. D
23	2	820-0100004	侧盖板	Side cover plate	
24	2	820-0103000	托轮总成	Carrier roller assembly	
25	2	M14 GB/T6170	1型六角螺母	Nut	8-Zn.D
26	2	30 GB/T894.1	轴用弹性挡圈	Closing ring	Zn. D
27	2	M14×90 GB/T5784	六角头螺栓	Bolt	12.9 达克罗

01.1.1 底盘总成(适用83504机型) CHASSIS ASSEMBLY (APPLY TO 83504TYPE)



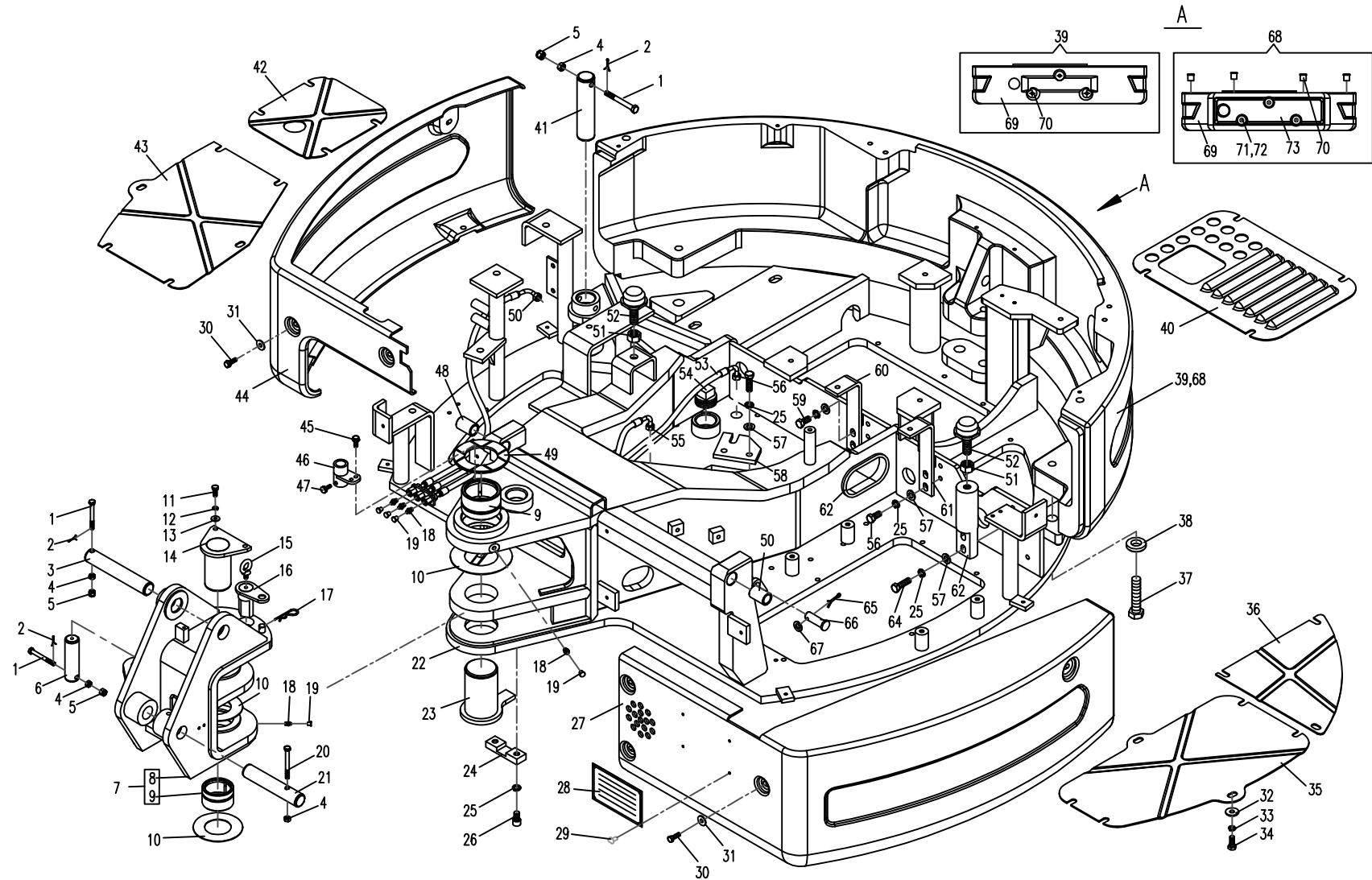
02.1.1 回转平台(适用83504机型) SLEWING PLATFROM (APPLY TO 83504 TYPE)

序号 No.	数量 Quantity	代号 Code	名称 Description		备注 Remark
1	3	M10×90 GB/T31.1	六角头螺杆带孔螺栓	Bolt	8.8 Zn.D
2	3	2.5×24 GB/T91	开口销	Cotter pin	Zn.D
3	1	820-0200001A	动臂销轴	Shaft pin	
4	5	M10 GB/T6170	1型六角螺母	Nut	8 Zn.D
5	3	M10 GB/T6179	1型六角开槽螺母	Nut	8 Zn.D
6	1	835-0200013A	摆动缸前销轴	Shaft Pin	
7	1	835-0250000A	转向头总成		包含序号8,9(IncludeNo.8,9)
8	1	835-0201000A	转向头	Steering head	
9	2	835-0200002A	衬套	Bush	
10	适量	820-0200018	隔垫片	Washer	
11	25	M10×25 GB/T5783	六角头螺栓	Blot	8.8 Zn.D
12	25	10 GB/T93	弹簧垫圈	Spring washer	Zn.D
13	25	10 GB/T97.1	平垫圈	Washer	Zn.D
14	1	835-0204000A	上销轴	Shaft pin	
15	1	M10×20 GB/T825	吊环螺钉	Flying Rings bolt	8.8 Zn.D
16	1	835-0205000A	止动销轴	Shaft Pin	
17	1	801-0500039	弹性销	Stretch pin	
18	5	M10×1 GB/T7940.1		Grease cup	Zn.D
19	5	801-0400001	油杯盖	Grease cup cap	
20	1	M10×100 GB/T31.1	六角头螺杆带孔螺栓	Bolt	8.8 Zn.D
21	1	835-0200001A	动臂缸销轴	Shaft pin	
22	1	835-0242000	平台	Platform	
23	1	835-0208000A	下销轴	Shaft pin	
24	1	835-0200007A	压板	Locking plate	
25	10	12 GB/T93	弹簧垫圈	Spring washer	Zn.D
26	2	M12×35 GB/T70.1	内六角圆柱头螺钉	Bolt	8.8 Zn.D
27	1	835-0213000A	左侧梁	Left cover-board	
28	1	T0802-01002	标牌 (英文)	Scutcheon(English)	选装

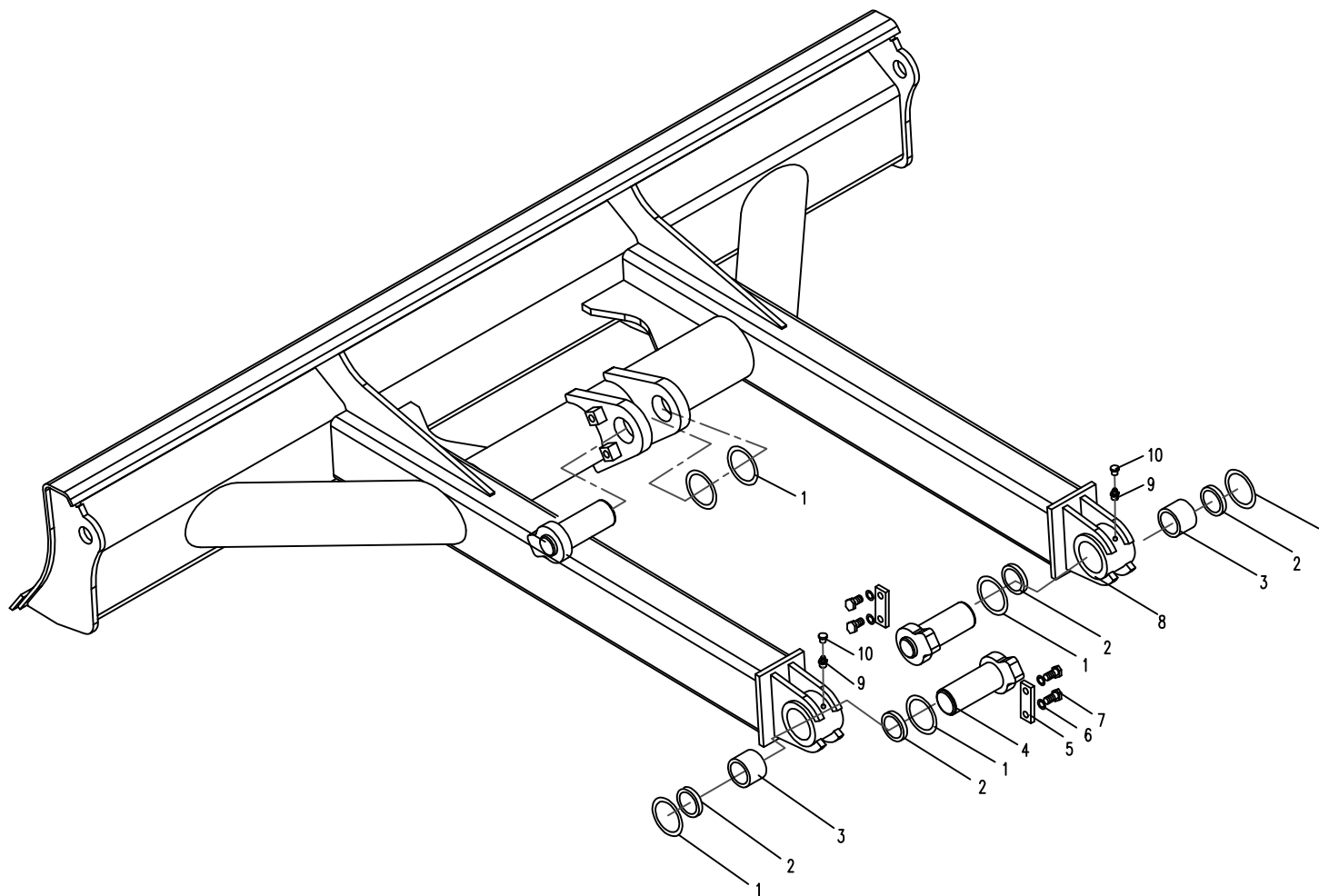
02.1.1 回转平台(适用83504机型) SLEWING PLATFORM (APPLY TO 83504 TYPE)

序号 No.	数量 Quantity	代号 Code	名称 Description		备注 Remark
	1	T0802-01003	标牌 (法文)	Scutcheon(French)	选装
	1	T0802-01004	标牌 (意大利文)	Scutcheon(Italian)	选装
29	4	4×12 GB/T12618	开口型扁圆头抽芯铆钉	Rivet	
30	11	M8×25 GB/T5789	六角法兰面螺栓	Blot	8.8 Zn.D
31	11	8 GB/T96.1	大垫圈	Biger washer	Zn.D
32	23	10 GB/T96.1	大垫圈	Biger washer	Zn.D
33	25	10 GB/T93	弹簧垫圈	Spring washer	Zn.D
34	25	M10×25 GB/T5783	六角头螺栓	Blot	8.8 Zn.D
35	1	835-0200017A	左前封底板	Front-left cover plate	
36	1	835-0200018A	左后封底板	Rear-left cover plate	
37	4	M20×85 GB/T5783	六角头螺栓	Blot	10.9 达克罗
38	4	860-0200015	垫圈	Washer	
39	1	835-0260000	平衡重组件	Counter weight assembly	
40	1	835-0200019A	中封底板	Middle cover plate	
41	1	835-0200011A	摆动缸后销轴	Shaft pin	
42	1	835-0200012A	右后封底板	Rear-right cover plate	
43	1	835-0200009A	右前封底板	Front-right cover plate	
44	1	835-0215000	右侧梁	Right cover plate	
45	2	M8×16 GB/T5789	六角法兰面螺栓	Bolt	8.8 Zn.D
46	1	835-0214000A	止动销座	Pin-seat	
47	1	810-1521100	M8调节螺钉	Bolt	
48	2	835-0200006A	衬套	Bush	
49	1	820-0200003	承重垫圈	Washer	
50	1	820-0205000	偏转缸油管	Oil-pipe	
51	2	M20 GB/T6170	1型六角螺母	Nut	8 Zn.D
52	2	835-0206000A	可调垫	Adjustable cushion	
53	2	835-0209000A	滚油道注油管	Connecting pipe assembly	
54	1	820-0200013	螺塞	Screw plug	

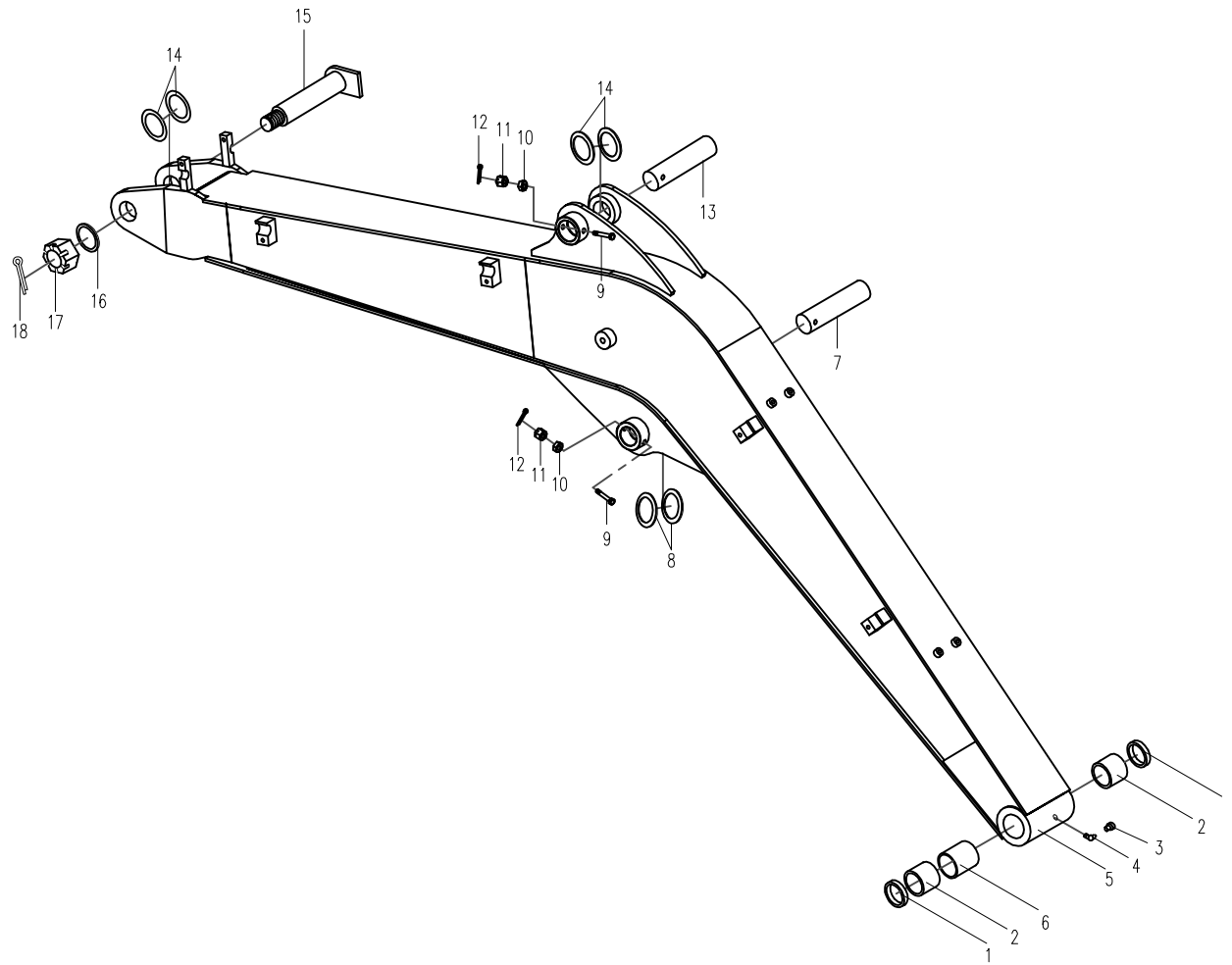
02.1.1 回转平台(适用83504机型) SLEWING PLATFORM (APPLY TO 83504 TYPE)



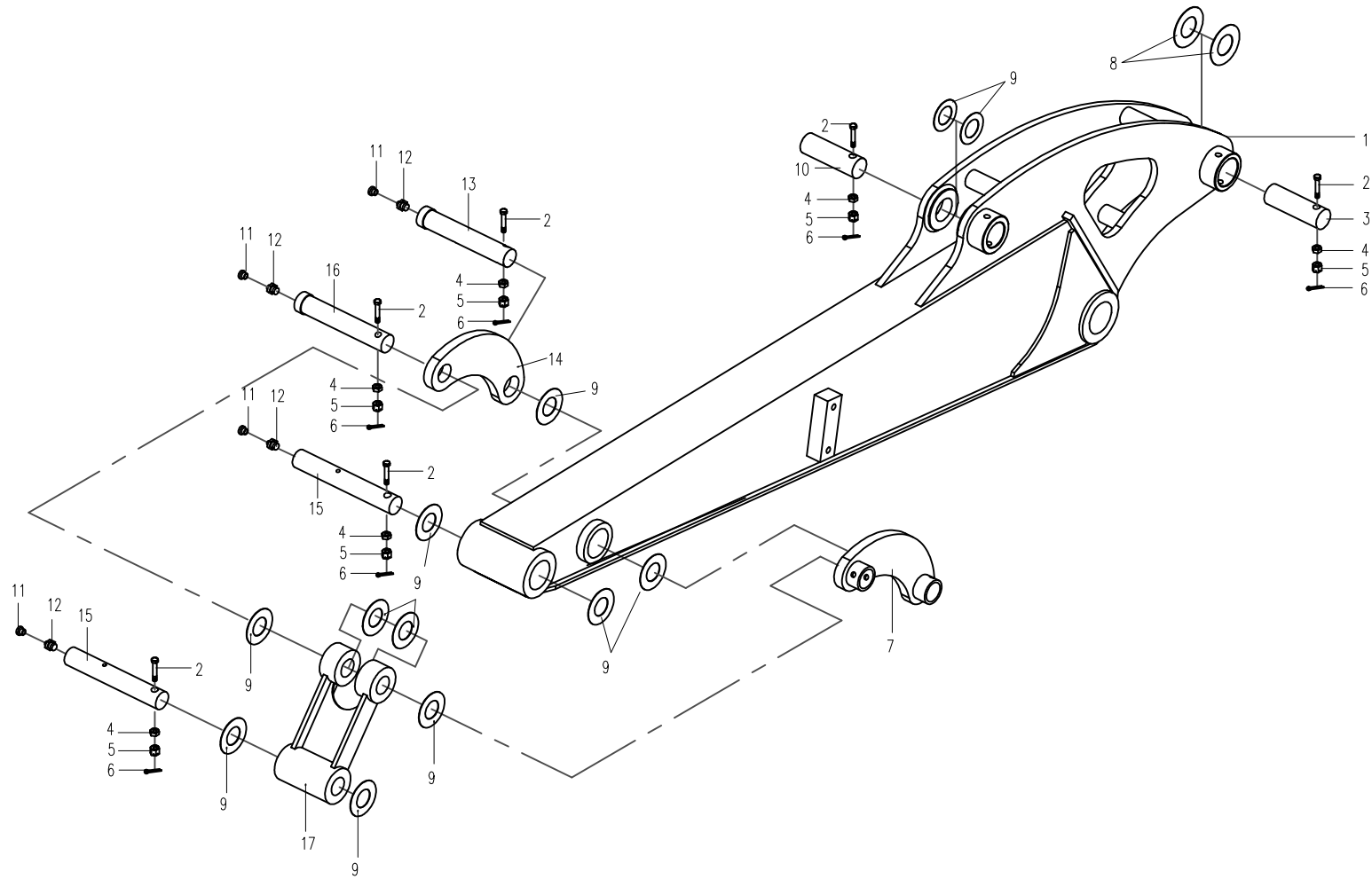
03.1.1 推土装置(适用83504机型) DOZER EQUIPMENT (APPLY TO 83504 TYPE)



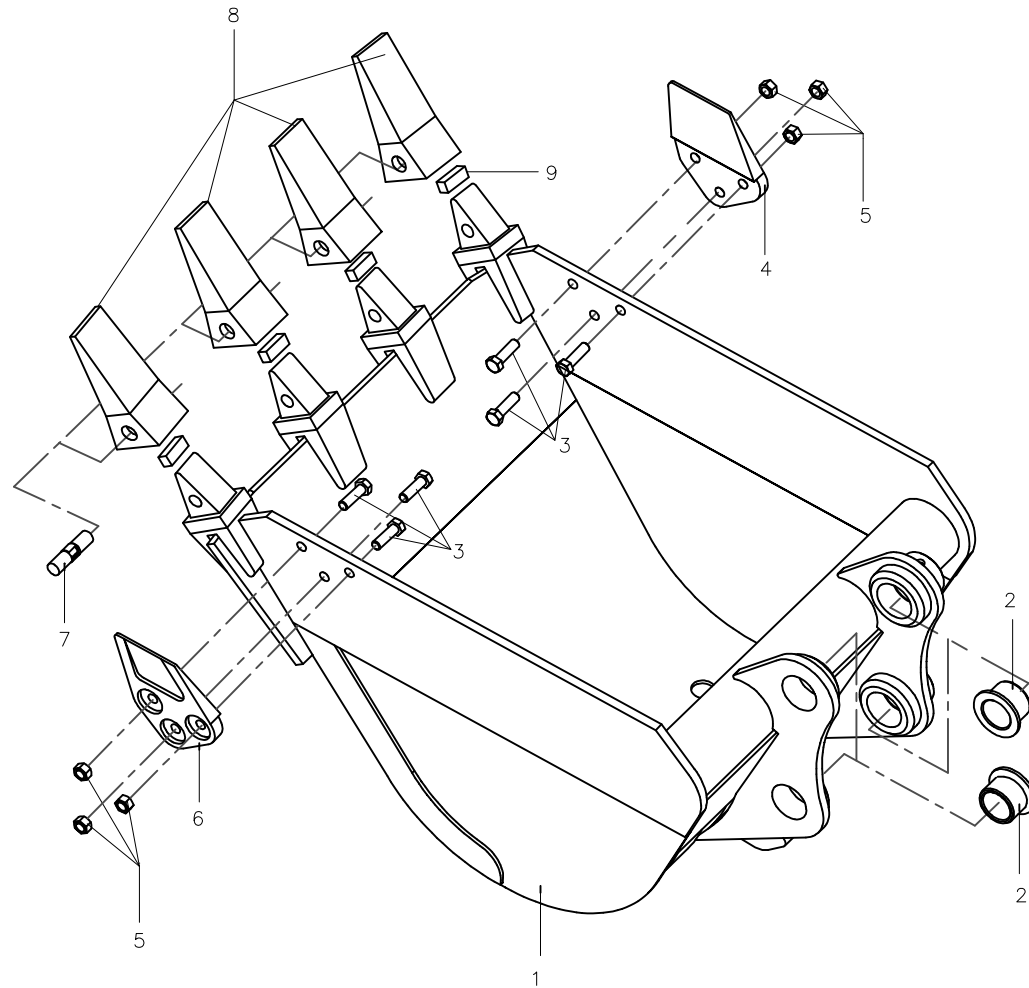
04.1.1 动臂安装 (适用83504机型) BOOM ASSEMBLY (APPLY TO 83504TYPE)



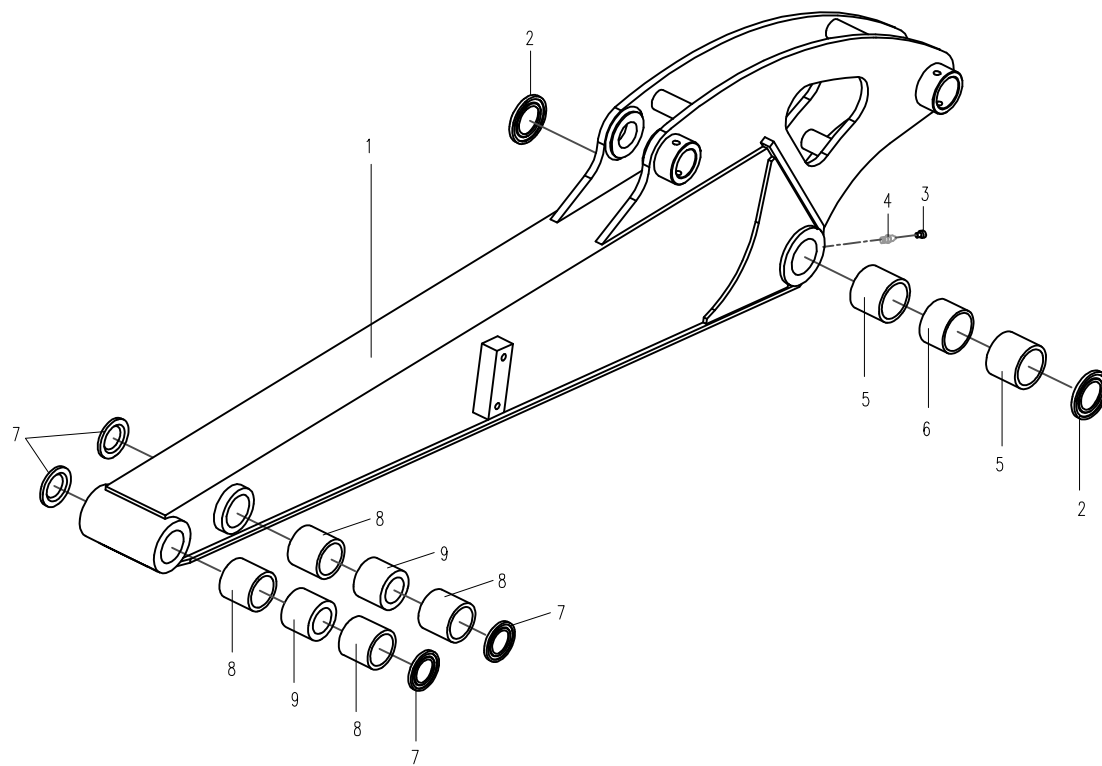
04.2.1 斗杆-连杆安装 (通用83504机型) ARM-CONNECTING ROD ASSEMBLY (APPLY TO 83504 TYPE)



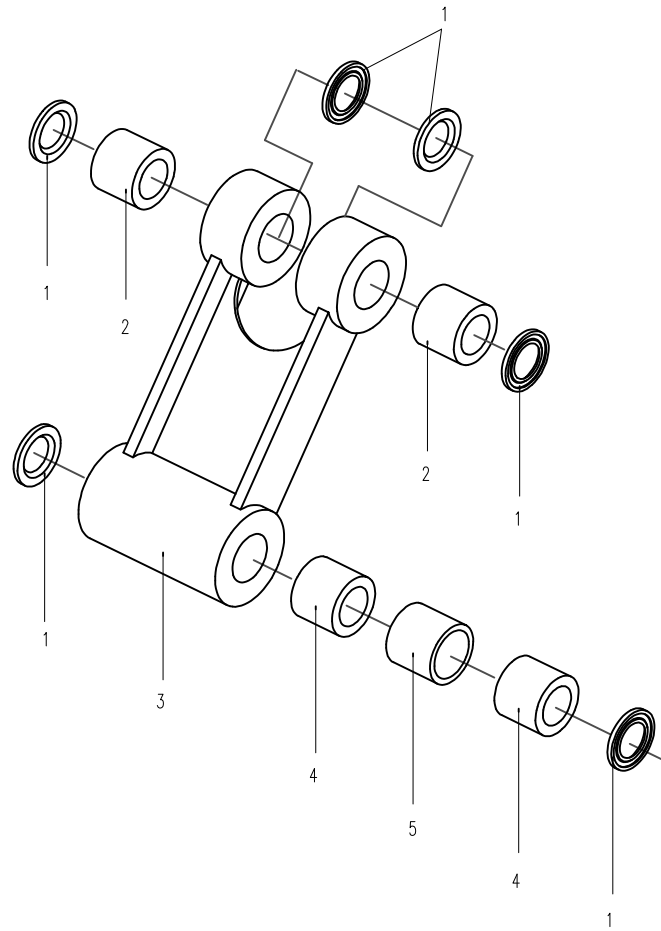
04.3.1 铲斗安装(适用83504机型) BUCKET ASSEMBLY(APPLY TO 83504 TYPE)



04.4.1 斗杆组件(适用83504机型) ARM ASSEMBLY(APPLY TO 83504 TYPE)



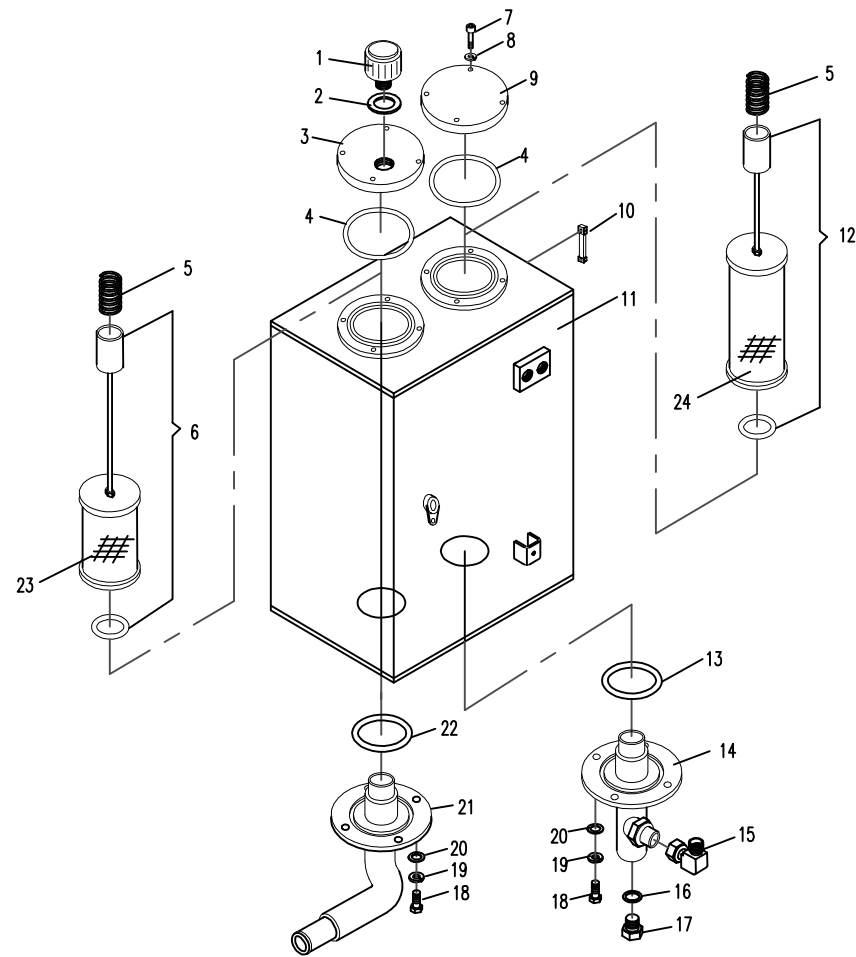
04.5.1 连杆组件(适用83504机型) CONNECTING ROD ASSEMBLY(APPLY TO 83504 TYPE)



05.1.1 液压油箱（适用83504机型） HYDRAULIC TANK (APPLY TO 83504TYPE)

序号 No.	数量 Quantity	代号 Code	名称 Description		备注 Remark
1	1	835-0501400	空气滤清器总成	Air cleaner assembly	
2	1	27 BS/A27.7×36×2 ISO	组合密封垫圈	Combinatory washer	
3	1	835-0501300	法兰盖总成	Flange cover assembly	
4	2	132×2.65 GB/T3452.1 NBR-90	O形橡胶密封圈	“O”seal ring	
5	2	820-0502002	弹簧	Spring washer	
6	1	835-0501900	吸油滤油器总成	Oil -intake filter assembly	
7	8	M8×16 GB/T70.1	内六角圆柱头螺钉	Bolt	8.8 Zn.D
8	8	8 GB/T93	弹簧垫圈	Spring washer	Zn.D
9	1	835-0501200	加油法兰盖总成	Flange cover assembly	
10	1	835-0501001A	液位计总成	Level gauge	
11	1	835-0501100A	油箱体	Oil tank body	
12	1	835-0501800	回油滤油器总成	Oil -return filter assembly	
13	1	60×5.3 GB/T3452.1	O形橡胶密封圈	“O”seal ring	
14	1	835-0501700	回油法兰总成	Oil -return flange assembly	
15	1	830D-0500028	管接头	Pipe Joint	
16	1	18 BS/A18.7×27×2 ISO	组合密封垫圈	Combinatory washer	
17	1	820-0502001	螺塞	Screw Plug	
18	8	M10×25 GB/T5783	六角头螺栓	Bolt	8.8 Zn.D
19	8	10 GB/T93	弹簧垫圈	Spring washer	Zn.D
20	8	10 GB/T97.1	垫圈	Washer	Zn.D
21	1	835-0501500A	吸油法兰总成	Oil -intake flange assembly	
22	1	75×5.3 GB/T3452.1 NBR-90	O形橡胶密封圈	“O”seal ring	
23	1	835-0501910	吸油滤芯	Oil -intake filter	TLX235D
24	1	830D-0501602	回油滤芯	Oil -return filter	NYQX-160×10

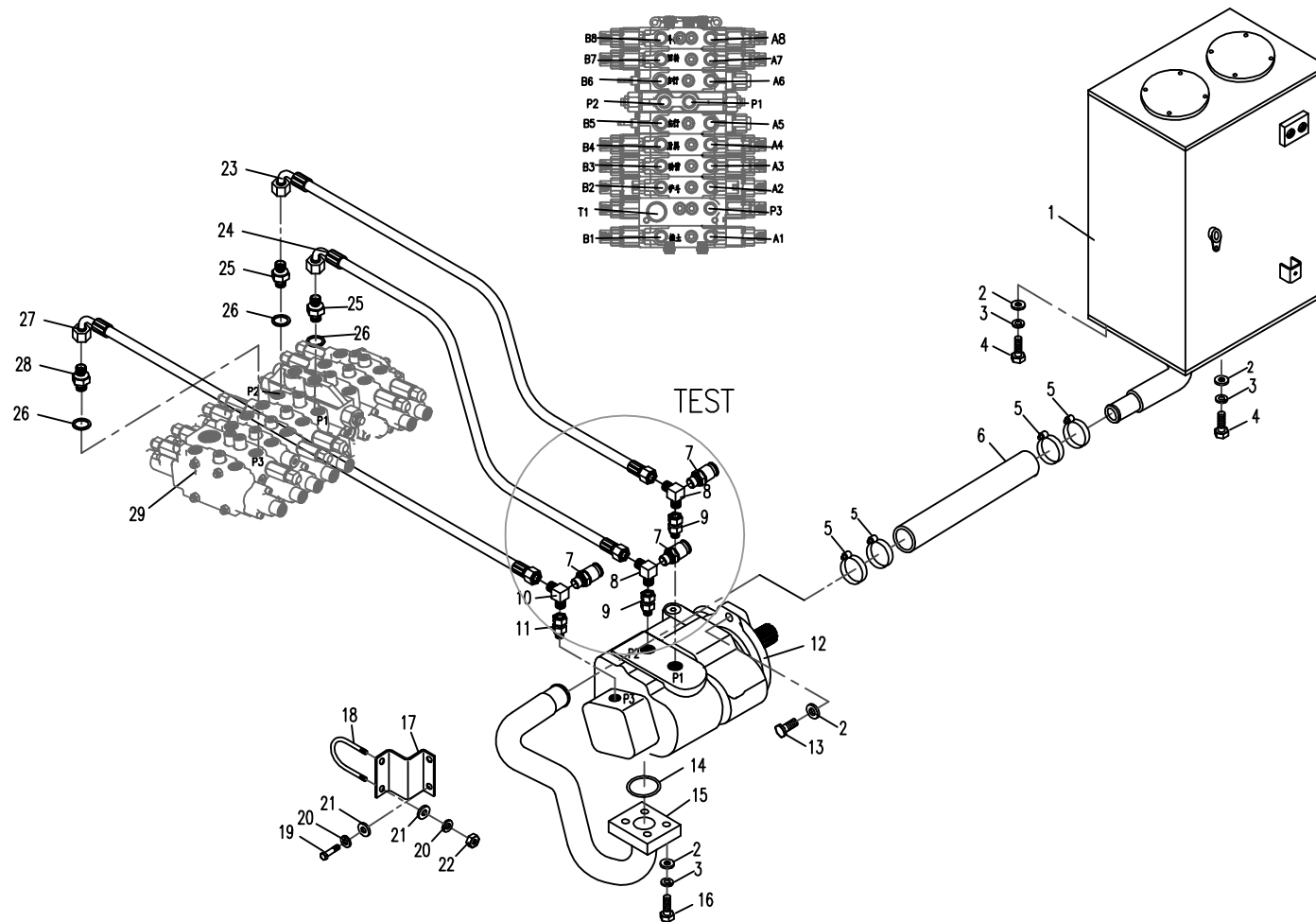
05.1.1 液压油箱(适用83504机型) HYDRAULIC TANK (APPLY TO 83504TYPE)



05.2.1 主液压系统-供油（适用83504机型） MAIN HYDRAULIC SYSTEM -OIL SUPPLY (APPLY TO 83504TYPE)

序号	数量	代号	名称		备注
No.	Quantity	Code	Description		Remark
1	1	835-0501000A	液压油箱	Oil tank	
2	8	10 GB/T97.1	垫圈	Washer	Zn.D
3	6	10GB/T93	弹簧垫圈	Spring washer	Zn.D
4	2	M12×35 GB/T5783	六角头螺栓	Bolt	8.8-Zn.D
5	4	d70 JB/T8870	喉箍	Hoop	
6	1	828-0500003	吸油胶管	Cloth fixing rubber pipe	
7	3	820-0510000	测压接头	Joint	
8	2	835-0500021A	带测压口接头	Joint	
9	2	830E-0500007	内外螺纹直接头	Square joint	
10	1	828-0500006	带测压口接头	Joint	
11	1	828-0500009	内外螺纹直接头	Square joint	
12	1	830D-0558000	油泵	Pump	
13	2	M12×30 GB/T5783	六角头螺栓	Bolt	10.9 达克罗
14	1	46.2×3.55 GB/T3452.1 NBR-90	O形橡胶密封圈	O-Ring	
15	1	835-0515000B	泵吸油口法兰总成	Pump oil intake flange	
16	4	M12×35 GB/T5783	六角头螺栓	Bolt	8.8 Zn.D
17	1	835-0500031	管夹支板	Pipe bracket	
18	1	835-0500029	管夹	Clamp	
19	2	M8×20 GB/T5783	六角头螺栓	Bolt	8.8 Zn.D
20	4	8 GB/T93	弹簧垫圈	Spring washer	Zn.D
21	4	8 GB/T 97.1	平垫圈	Washer	Zn.D
22	2	M8 GB/T6170	1型六角螺母	Nut	8 Zn.D
23	1	835-0507600	胶管总成	Hose assembly	
24	1	835-0507500	胶管总成	Hose assembly	
25	2	820-0500034	直接头	Straight joint	
26	2	17.8×2.4 NBR-90 ISO	组合密封垫圈	Combinatory washer	
27	1	835-0519000	胶管总成	Hose assembly	
28	1	820-0500022A	直接头	Straight joint	
29	1	839-0551000A	多路阀	Multi-change valve	

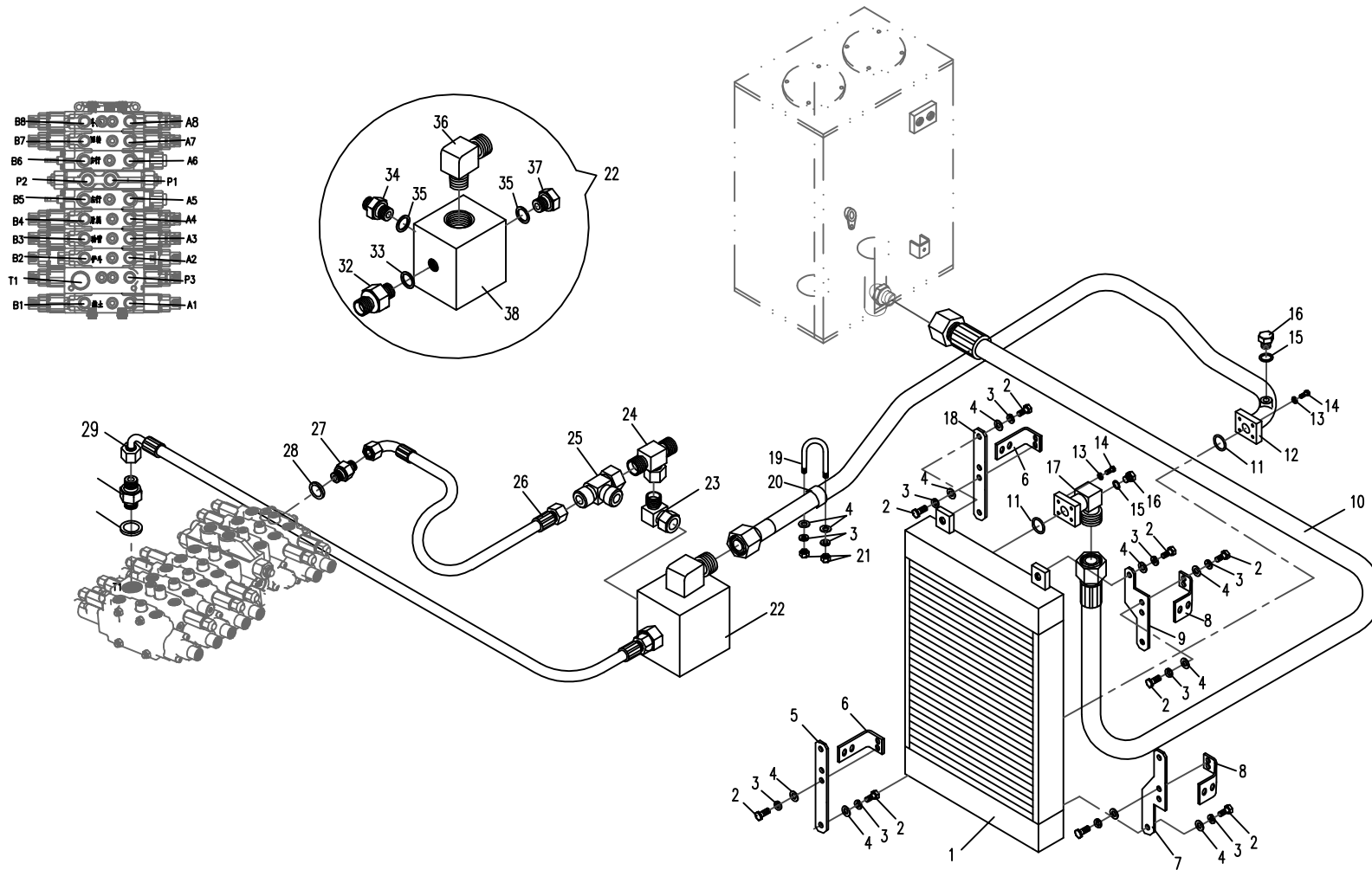
05.2.1 主液压系统—供油(适用83504机型) MAIN HYDRAULIC SYSTEM —OIL SUPPLY (APPLY TO 83504 TYPE)



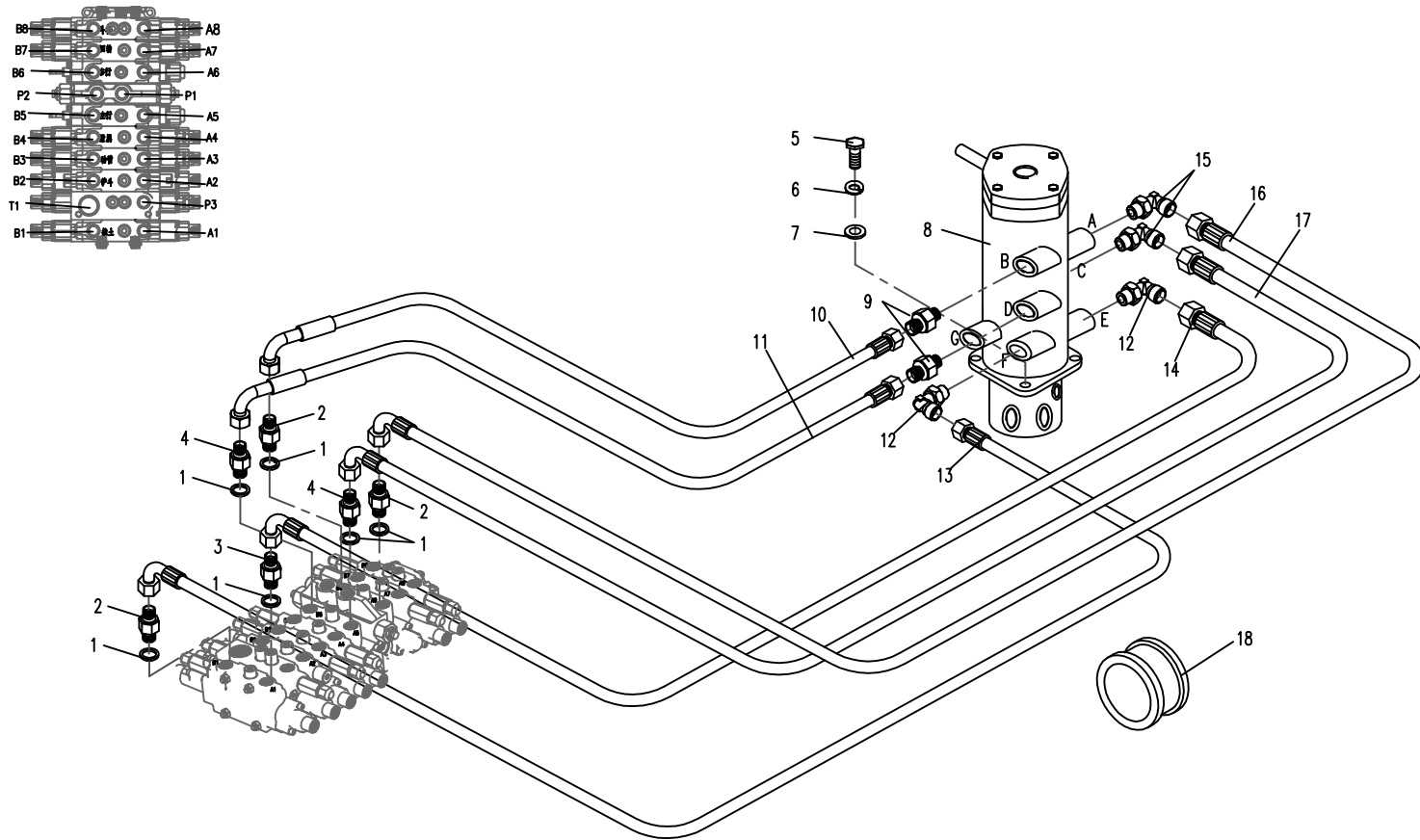
05.3.1 主液压系统-回油（适用83504机型） MAIN HYDRAULIC SYSTEM -OIL RETURN (APPLY TO 83504TYPE)

序号 No.	数量 Quantity	代号 Code	名称 Description		备注 Remark
1	1	835-0508000A	油冷器	Cooler	
2	10	M8×20 GB/T5783	六角头螺栓	Bolt	8.8 Zn.D
3	10	8 GB/T93	弹簧垫圈	Spring washer	Zn.D
4	10	8 GB/T97.1	垫圈	Washer	Zn.D
5	2	835-0500028	油冷器右支板II	Right bracket II	
6	2	835-0500004A	油冷器右支板I	Right bracket I	
7	1	835-0500027	油冷器左支板II	Left bracket II	
8	2	835-0500007A	油冷器左支板I	Left bracket I	
9	1	835-0500008B	油冷器左支板II	Left bracket II	
10	1	835-0509000	胶管总成	Hose assembly	
11	2	22.4×2.65 GB/T3452.1 NBR-90	O形橡胶密封圈	O Seal Ring	
12	1	835-0543000A	回油钢管总成	Steel pipe assembly	
13	8	6 GB/T93	弹簧垫圈	Spring washer	Zn.D
14	8	M6×25 GB/T70.1	内六角圆柱头螺钉	Bolt	8.8 Zn.D
15	2	10 BS/A10.7×16×1.5 ISO	组合密封垫圈	Combinatory washer	
16	2	820-0500004	螺塞	Plug	
17	2	835-0545000A	直角接头	Square joint	
18	1	835-0500006B	油冷器右支板II	Right bracket II	
19	1	835-0500003	管夹	Clamp	
20	1	820-9500006	胶垫	Rubber mat	
21	2	M8 GB/T6170	1型六角螺母	Nut	8 Zn.D
22	1	835-0503000B	多通接头	Joint	
23	1	818B-0500063	90°弯接头	90° toggle joint	
24	1	870-7500003	三通接头	Tee joint	
25	1	860C-8500002	三通接头	Tee joint	
26	1	870F-8514000	胶管总成	Hose assembly	
27	1	820-0500022A	直接头	Straight joint	
28	1	17.8×2.4 NBR-90 ISO	O形橡胶密封圈	O Seal Ring	

05.3.1 主液压系统—回油(适用83504型) MAIN HYDRAULIC SYSTEM -OIL RETURN (APPLY TO 83504TYPE)



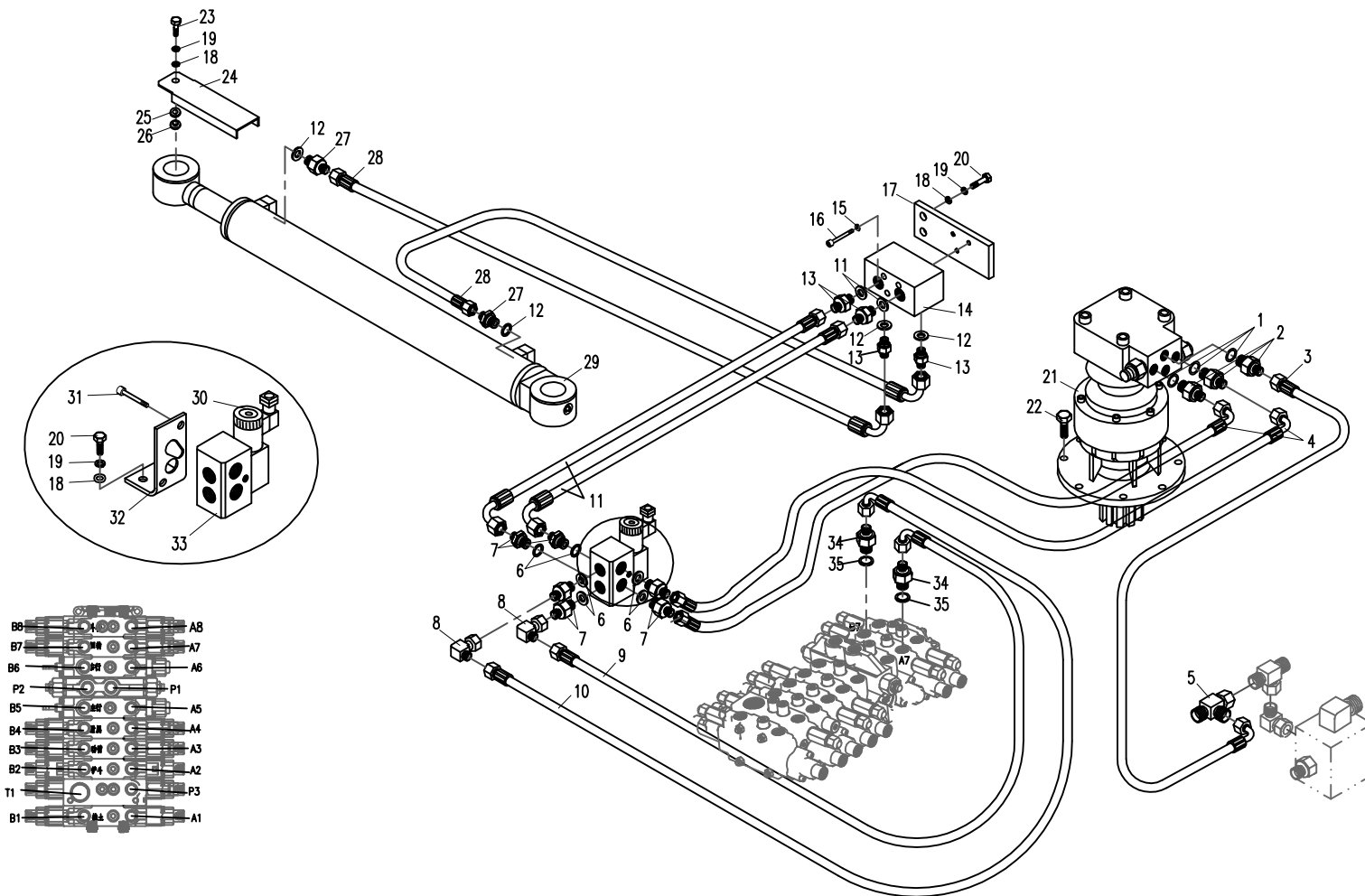
05.4.1 主液压系统—中央回转接头(适用83504机型) MAIN HYDRAULIC SYSTEM—CENTRE SLEWING JOINT(APPLY TO 83504TYPE)



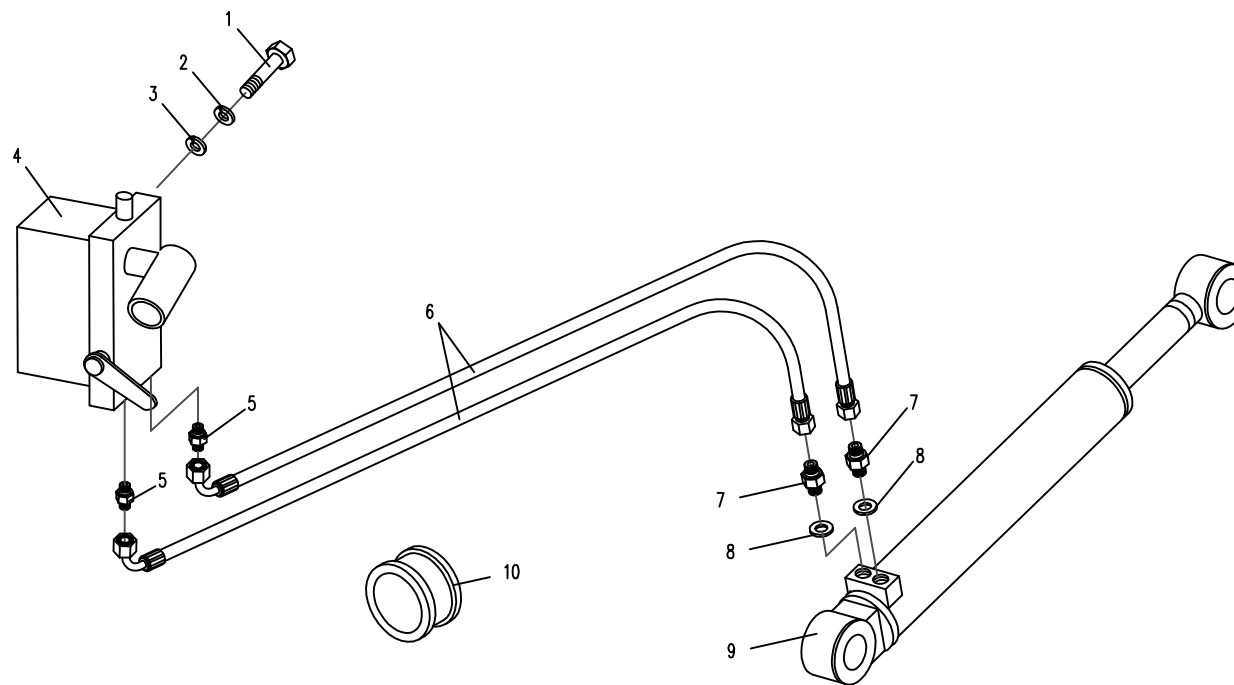
05.5.1 主液压系统-回转与偏转(适用83504机型) MAIN HYDRAULIC SYSTEM-SLEWING AND SWING (APPLY TO 83504 TYPE)

序号 No.	数量 Quantity	代号 Code	名称 Description		备注 Remark
1	3	13.8×2.4 NBR-90 ISO	O形橡胶密封圈	“O”seal ring	
2	3	820-0500041	直接头	Straight joint	
3	1	835-0519000	胶管总成	Hose assembly	
4	2	828-0523000A	胶管总成	Hose assembly	
5	2	860C-8500002	三通接头	Tee joint	
6	6	22 BS/A22.7×30×2 ISO	组合密封垫圈	Combinatory washer	
7	6	820-0500023	直接头	Straight joint	
8	2	818B-0500063	90° 弯接头	90° Square joint	
9	1	835-0558000	胶管总成	Hose assembly	
10	1	820-0544000	胶管总成	Hose assembly	
11	2	801P-0508000	胶管总成	Hose assembly	
12	6	18 BS/A18.7×27×2 ISO	组合密封垫圈	Combinatory washer	
13	4	820-0500031	直接头	Straight joint	
14	1	830-0504000	液压锁BYX-95	Hydraulic lock	
15	3	6 GB/T93	弹簧垫圈	Spring washer	Zn.D
16	3	M6×50 GB/T70.1	内六角圆柱头螺钉	Bolt	8.8 Zn.D
17	1	835-0500013	液压锁支架	Hydraulic lock bracket	
18	2	8 GB/T97.1	平垫圈	Washer	
19	2	8 GB/T93	弹簧垫圈	Spring washer	Zn.D
20	2	M8×20 GB/T5783	六角头螺栓	Bolt	8.8 Zn.D
21	1	830D-0559000	回转减速机	Slewing reduction gear	
22	6	M14×40 GB/T5783	六角头螺栓	Boil	12.9 达克罗
23	1	M8×20 GB/T5783	六角头螺栓	Bolt	8.8 Zn.D
24	1	835-0531000A	偏转缸保护板	Fender	
25	1	820-0500011	碟形弹簧	Belleville spring	
26	1	820-0500012	弹簧座	Spring seat	
27	2	830E-0526000	单向节流阀	Unilateral throttle	
28	2	835-0519000	胶管总成	Hose assembly	

05.5.1 主液压系统—回转与偏转(适用83504机型) MAIN HYDRAULIC SYSTEM—SLEWING AND SWING (APPLY TO 83504 TYPE)



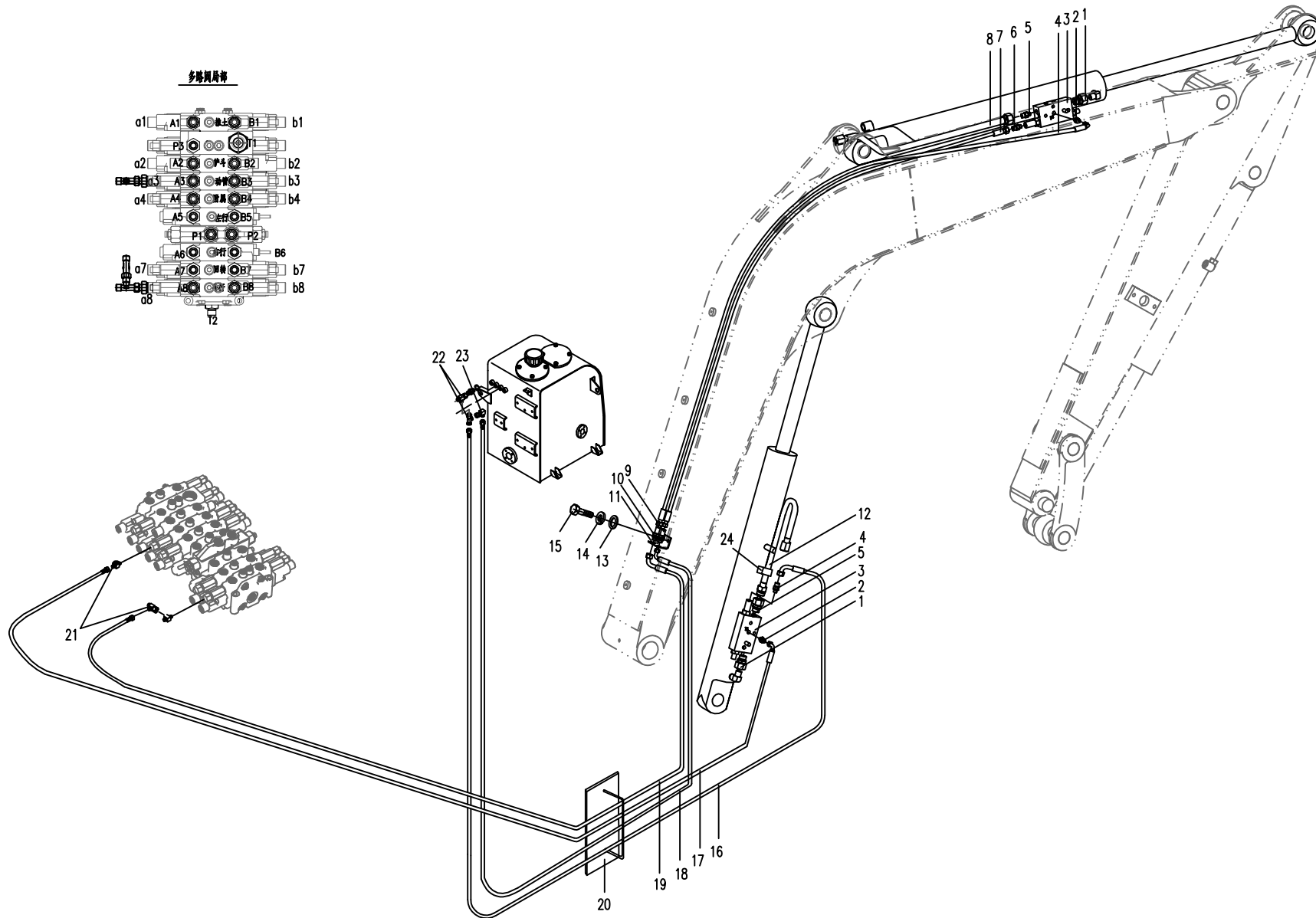
05.6.1 主液压系统—翻转装置(适用83504机型) MAIN HYDRAULIC SYSTEM—TURNOVER UNIT (APPLY TO 83504 TYPE)



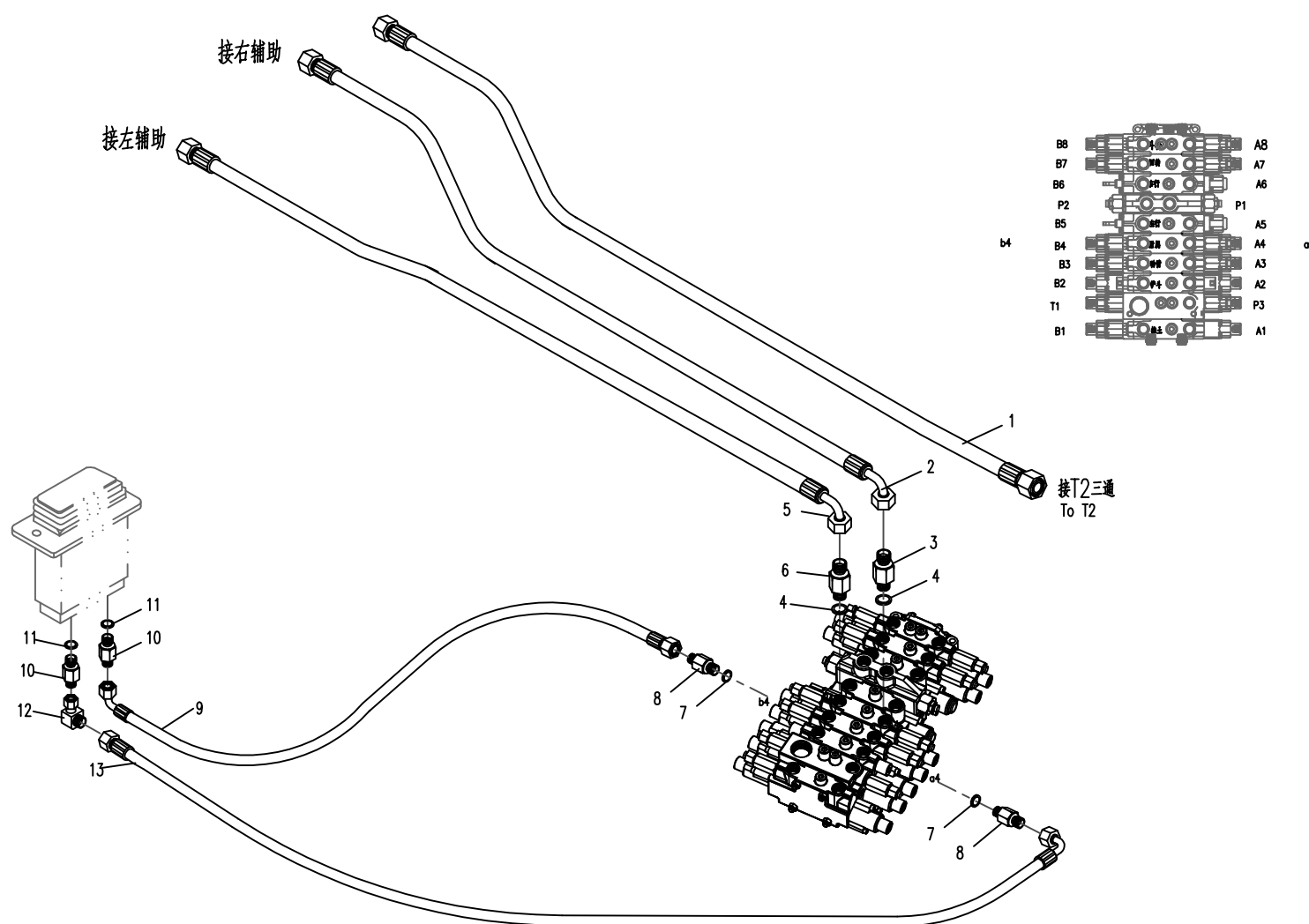
35.1.1 保持阀液压系统(适用830T04机型) HYDRAULIC SYSTEM FOR LOAD HOLDING VALVES (APPLY TO 830T04 TYPE)

序号 No.	数量 Quantity	代号 Code	名称 Description		备注 Remark
1	2	T0101-030001	内外螺纹直接头	Adapter	
2	2	526A-9500001	直接头	Bolt joint	
3	2	T0314-01002	动臂保持阀	Load holding valve	
4	1	892A-8513000	胶管总成	Hose assembly	
5	2	830E-0500004	直接头	Bolt joint	
6	2	T0101-010007	直接头	Bolt joint	
7	1	895-8504900	胶管总成	Hose assembly	
8	1	830T-3502000	钢管总成	Steel pipe assembly	
9	1	810N-7502000	直通过板直接头	Adapter	
10	1	892A-8503001	直接头	Bolt joint	
11	1	830T-3508001	支板	Clamp	
12	1	830T-3501000	钢管总成	Steel pipe assembly	
13	2	8 GB/T 97.1	平垫圈	Washer	Zn.D
14	2	8 GB/T 93	弹簧垫圈	Spring washer	Zn.D
15	2	M8×50 GB/T 5783	六角头螺栓	Bolt	8.8 Zn.D
16	1	885-8509000	胶管总成	Hose assembly	
17	1	860-8518000	胶管总成	Hose assembly	
18	1	885D-7502100	胶管总成	Hose assembly	
19	1	870-8534000A	胶管总成	Hose assembly	
20	1	830T-3509000	油管支架	Bracket	
21	2	870-8500003	三通接头	Tee joint	
22	2	850-8502000	直角接头	Square joint	
23	2	810M-0500003	三通接头	Tee joint	
24	1	T0416-06010	线夹	line clamp	

35.1.1 保持阀液压系统(适用83504机型) HYDRAULIC SYSTEM FOR LOAD HOLDING VALVES (APPLY TO 83504 TYPE)



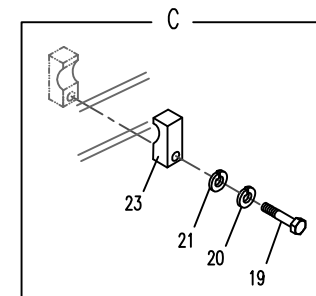
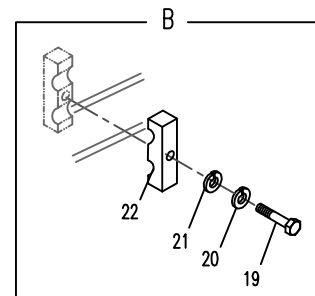
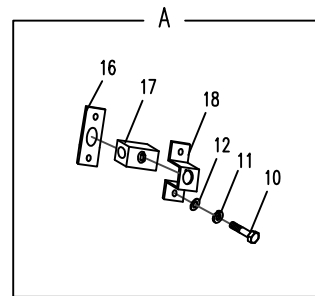
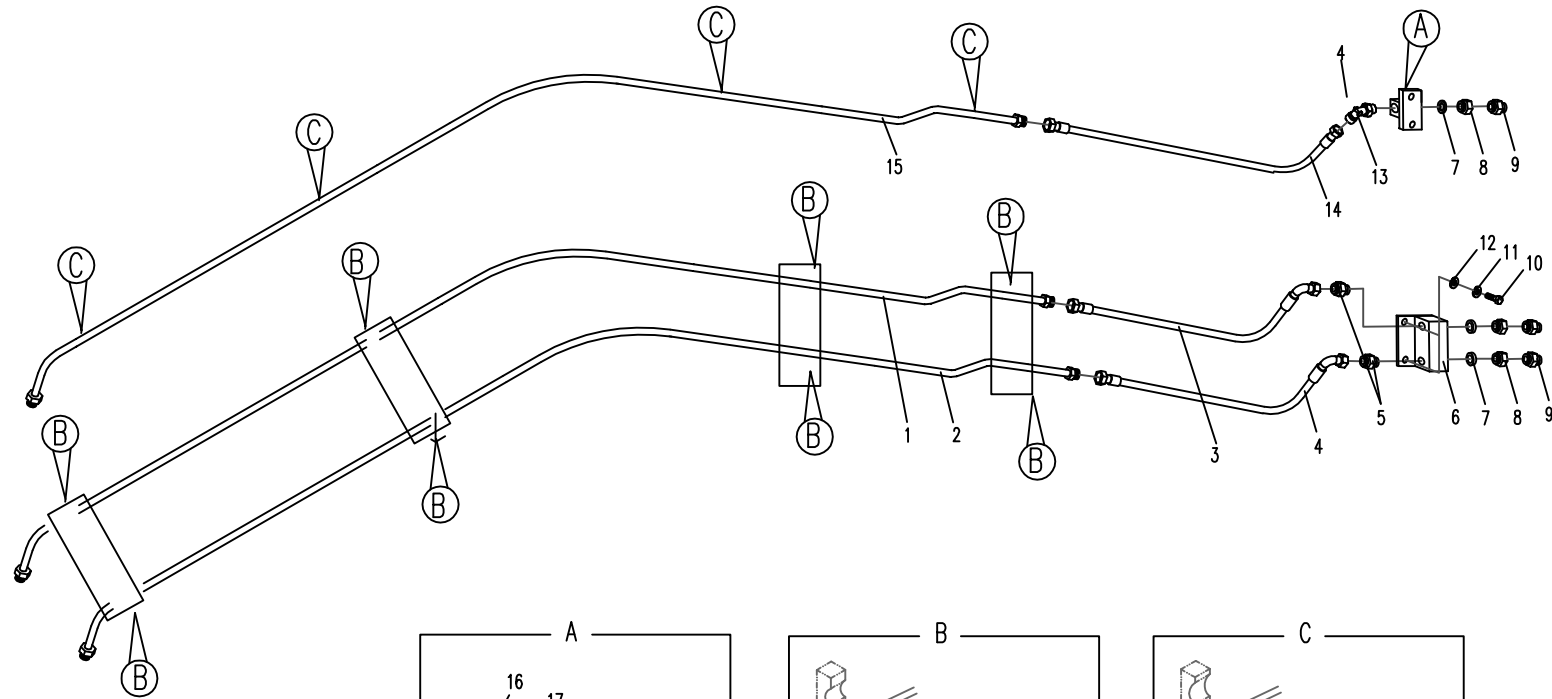
65.1.1 附属装置液压系统1(适用83504机型) HYDRAULIC SYSTEM FOR ATTACHMENT EQUIPMENT 1 (APPLY TO 83504 TYPE)



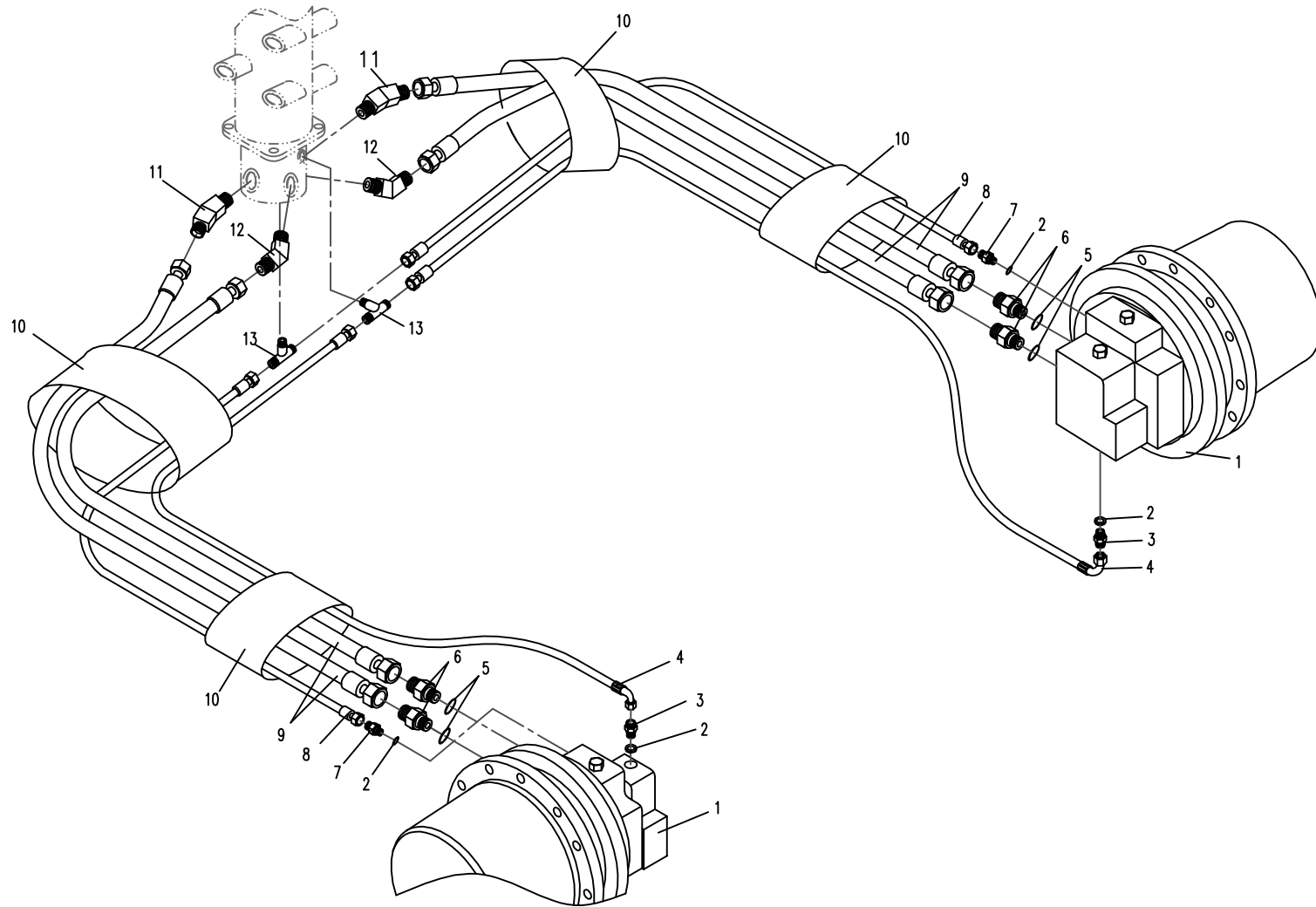
65.2.1 附属装置液压系统 2（适用83504机型） HYDRAULIC SYSTEM FOR ATTACHMENT EQUIPMENT 2 (APPLY TO 83504 TYPE)

序号 No.	数量 Quantity	代号 Code	名称 Description		备注 Remark
1	1	835-9507000	右辅助钢管总成	Right-steel pipe assembly	
2	1	835-6501300	右辅助钢管总成 II	Right-steel pipe assembly II	
3	1	835-6501500	胶管总成	Hose assembly	
4	2	835-6501600	胶管总成	Hose assembly	
5	2	820-0500009	直接头	Bolt joint	
6	1	835-6501200	连接座	Connect seat	
7	2	22 BS/A22.7×30×2 ISO	组合密封垫圈	Combinatory washer	
8	3	830-0500004	螺塞	Screw plup	
9	3	820-0500009	直接头	Bolt joint	代替序号8（Replace No.8）
10	4	M10×20 GB/T5783	六角头螺栓	Bolt	8.8 Zn.D
11	4	10 GB/T93	弹簧垫圈	Spring washer	Zn.D
12	4	10 GB/T97.1	平垫圈	Washer	Zn.D
13	1	820-7500005	弯头接头	Elbow jiont	
14	1	830D-9503000	胶管总成	Hose assembly	
15	1	835-9506000	左辅助钢管总成	Left-steel pipe assembly	
16	1	830D-9500004	垫	Underlay	
17	1	830D-9501000	转阀	Turring valve	
18	1	830D-9500003	压板	Clamp plate	
13	8	M8×40 GB/T5783	六角头螺栓	Bolt	8.8 Zn.D
14	8	8 GB/T93	弹簧垫圈	Spring washer	Zn.D
15	8	8 GB/T97.1	平垫圈	Washer	
16	4	835-6500001	管夹	Pipe clamp	
	4	820-9500005A	管夹		

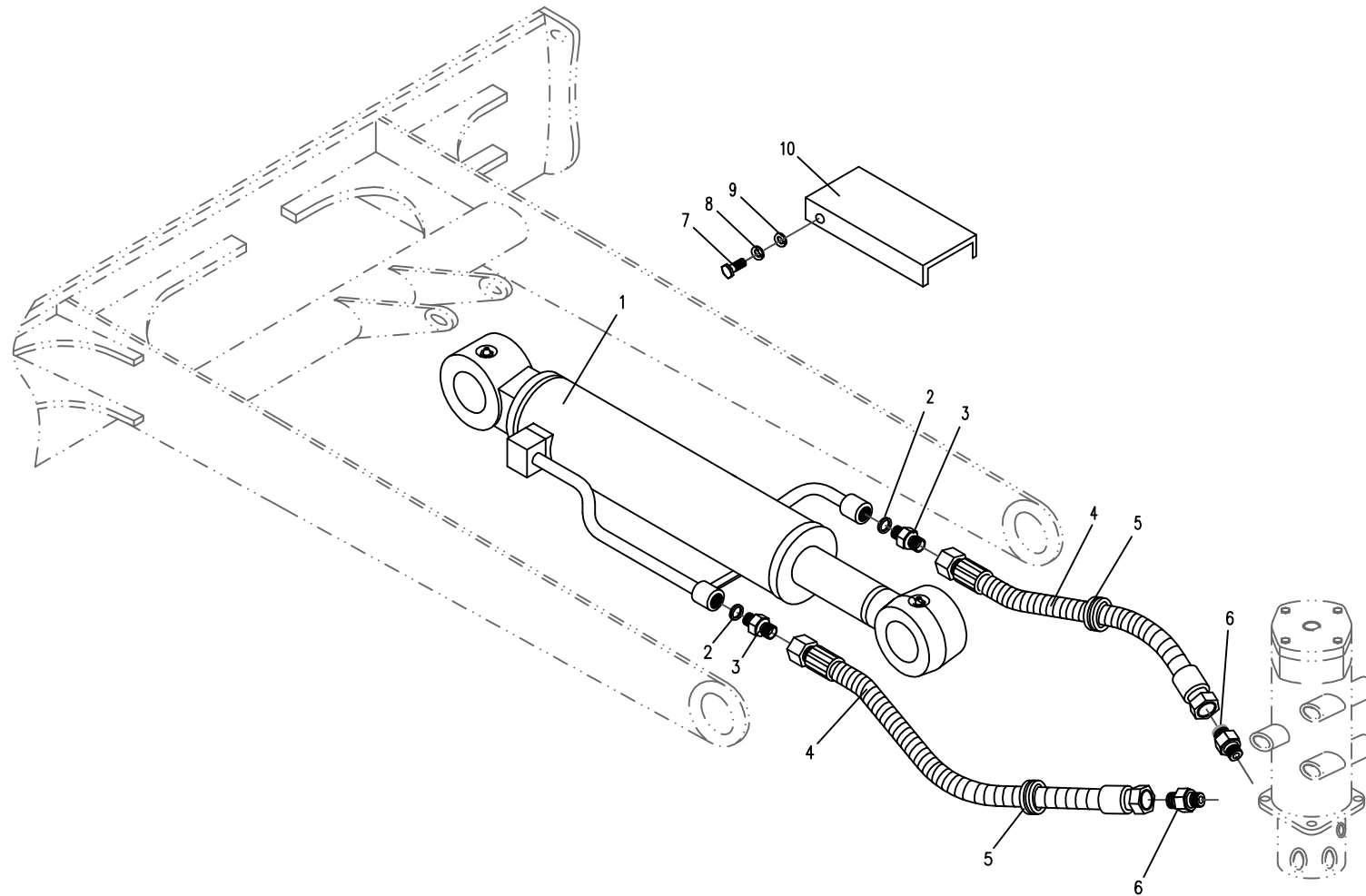
65.2.1 附属装置液压系统 2(适用83504机型) HYDRAULIC SYSTEM FOR ATTACHMENT EQUIPMENT 2 (APPLY TO 83504 TYPE)



75.1.1 行走装置液压系统 (适用83504机型) TRAVEL EQUIPMENT HYDRAULIC SYSTEM (APPLY TO 83504 TYPE)



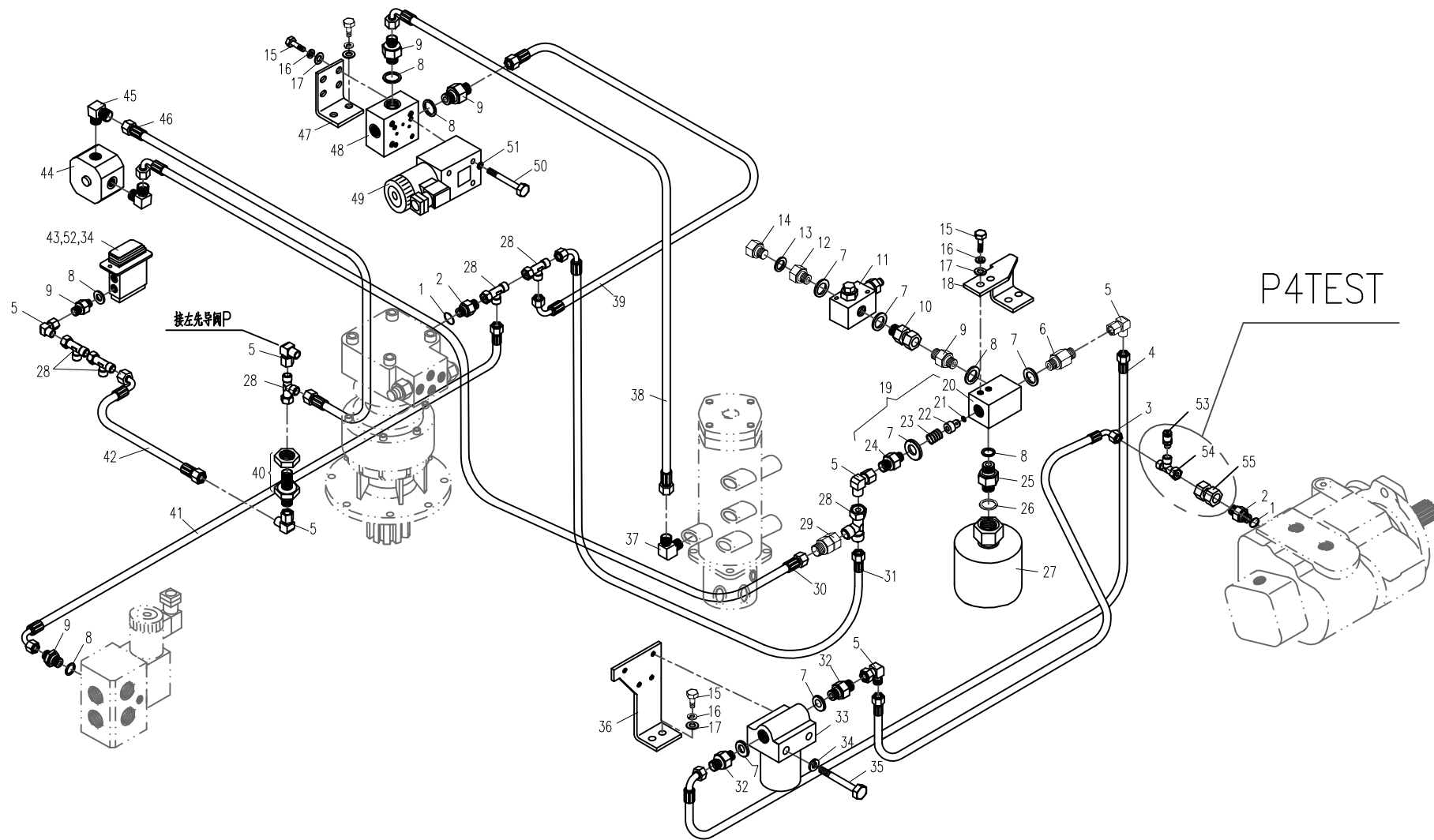
75.2.1 推土装置液压系统 (适用83504机型) BULLDOZE EQUIPMENT HYDRAULIC SYSTEM (APPLY TO 83504 TYPE)



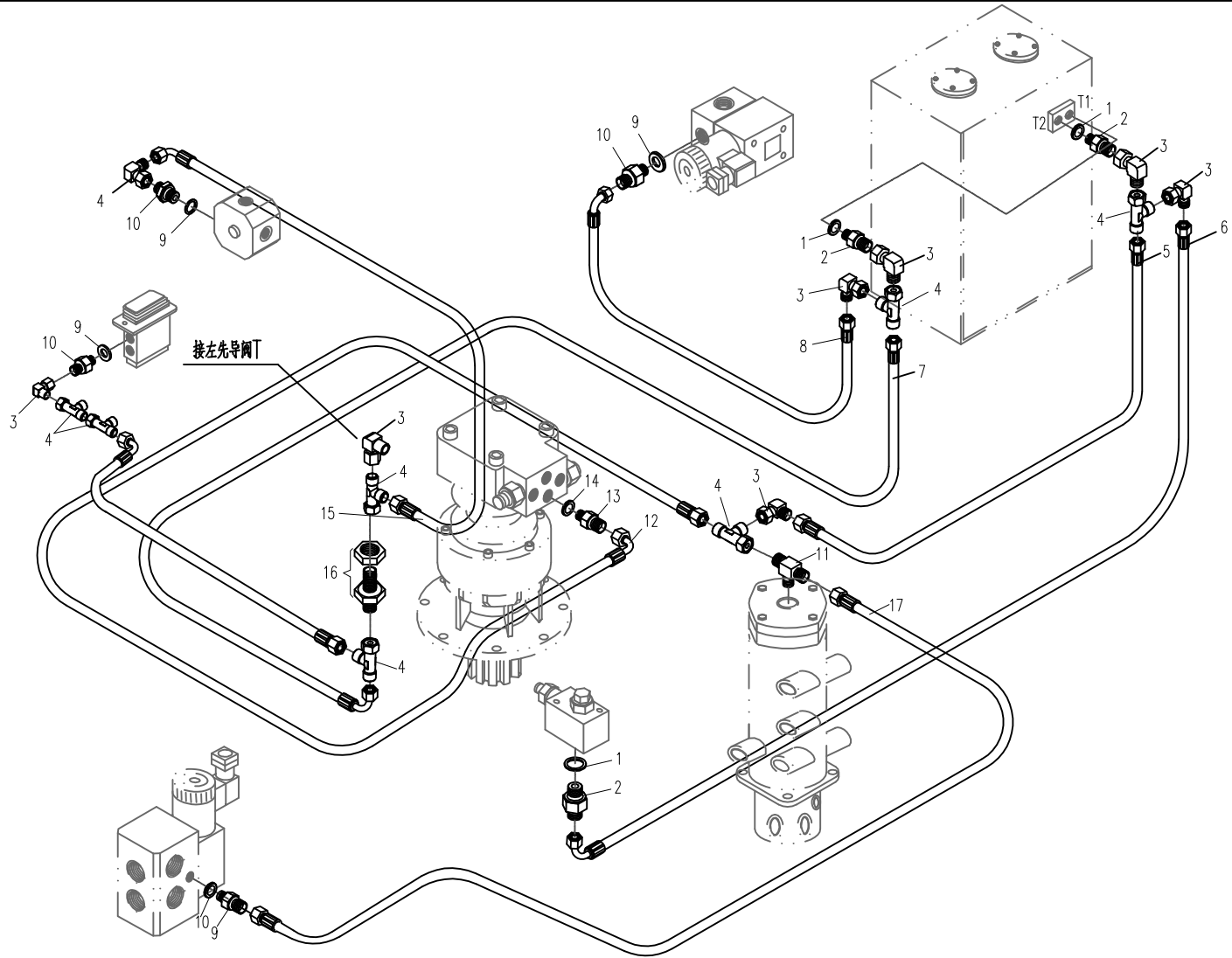
85.1.1 先导部分液压系统-供油(适用83504机型) HYDRAULIC SYSTEM FOR PILOT PART-OIL SUPPLY (APPLY TO 83504 TYPE)

序号 No.	数量 Quantity	代号 Code	名称 Description		备注 Remark
1	2	10.8×2.4 NBR-90 ISO	O形橡胶密封圈	O-Ring	
2	2	855-7500002	直接头	Straight joint	
3	2	835-8574000	胶管总成	Hose assembly	
4	1	835-8575000	胶管总成	Hose assembly	
5	4	810M-0500003	直角接头	Square joint	
6	1	818B-0500016	直接头	Straight joint	
7	5	18 BS/A18.7×27×2 ISO	组合密封垫圈	Combinatory washer	
8	6	14 BS/A14.7×21×1.5 ISO	组合密封垫圈	Combinatory washer	
9	1	820-8500004	直接头	Straight joint	
10	1	830B-8505000	直接头	Straight joint	
11	1	830D-8525000	安全阀	Safe valve	
12	1	830B-8500004	直接头	Bolt joint	
13	1	10 BS/A10.7×16×1.5 ISO	组合密封垫圈	Combinatory washer	
14	1	820-0500004	螺塞	Plug	
15	11	M8×20 GB/T5783	六角头螺栓	Bolt	8.8 Zn.D
16	11	8 GB/T93	弹簧垫圈	Spring washer	Zn.D
17	11	8 GB/T97.1	平垫圈	Washer	Zn.D
18	1	835-8500026	油源阀安装板	Bracket	
19	1	830B-8504000	单向阀	Valve	包括序号20~24
20	1	830B-8504001	单向阀体	Valve body	
21	1	6.5×1.5 NBR-90 ISO	O形密封圈	O-Ring	
22	1	830B-8504002	阀芯	Valve core	
23	1	830B-8504004	压缩弹簧	Spring	
24	1	830B-8504003	直接头	Straight joint	
25	1	830B-8500003	直接头	Straight joint	
26	1	22 BS/A22.7×30×2 ISO	组合密封垫圈	Combinatory washer	
27	1	820-8544000	蓄能器	Accumulator	
28	8	850-8502000	三通接头	Tee joint	

85.1.1 先导部分液压系统—供油(适用83504机型) HYDRAULIC SYSTEM FOR PILOT PART-OIL SUPPLY (APPLY TO 83504 TYPE)



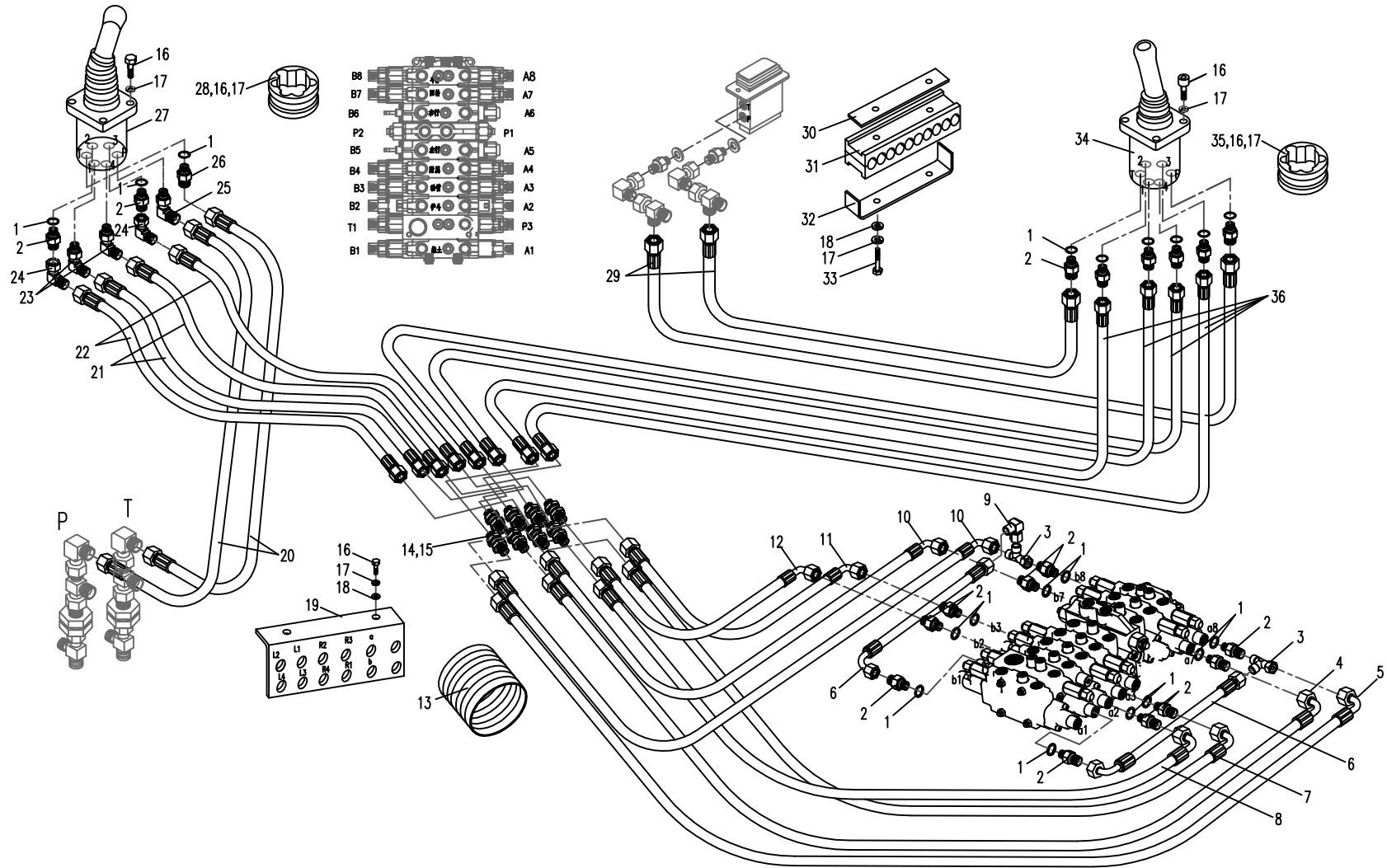
85.2.1 先导部分液压系统—回油(适用83504机型) HYDRAULIC SYSTEM FOR PILOT PART-OIL RETURN (APPLY TO 83504 TYPE)



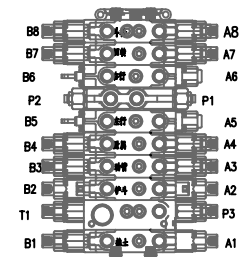
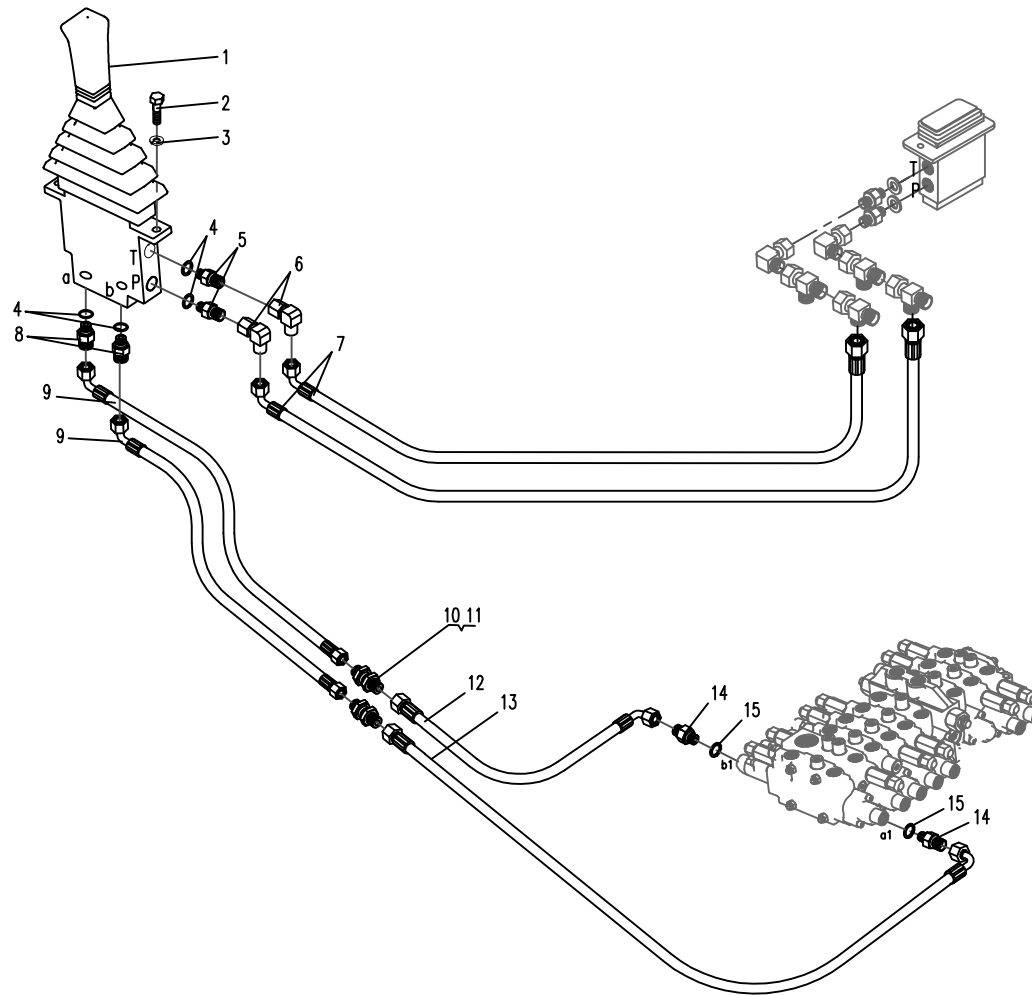
85.3.1 先导部分液压系统-先导操纵（适用83504机型）HYDRAULIC SYSTEM FOR PILOT CONTROL (APPLY TO 83504 TYPE)

序号 No.	数量 Quantity	代号 Code	名称 Description		备注 Remark
1	8	10.8×2.4 NBR-90 ISO	0形橡胶密封圈	O-Ring	
2	8	860A-8500003	直接头	Straight joint	
3	2	818B-0500062	三通接头	Tee joint	
4	1	835-8561000	胶管总成	Hose assembly	
5	1	835-8562000	胶管总成	Hose assembly	
6	2	835-8555000	胶管总成	Hose assembly	
7	1	835-8560000	胶管总成	Hose assembly	
8	1	835-8559000	胶管总成	Hose assembly	
9	1	810M-0500002	直角接头	Square joint	
10	2	835-8566000	胶管总成	Hose assembly	
11	1	835-8565000	胶管总成	Hose assembly	
12	1	835-8564000	胶管总成	Hose assembly	
13	1	830D-8500002	胶管护套	Sleeve	
14	8	M14×1.5 GB/T3763	卡套式管接头六角螺母	Nut	Zn.D
15	8	835-8500018	过板直接头	Straight joint	
16	10	M6×25 GB/T5783	六角头螺栓	Bolt	8.8 Zn.D
17	10	6 GB/T93	弹簧垫圈	Spring washer	Zn.D
18	2	6 GB/T97.1	平垫圈	Washer	Zn.D
19	1	835-8577000	安装板	Mounting plate	
20	2	835-8572000	胶管总成	Hose assembly	
21	2	835-8569000	胶管总成	Hose assembly	
22	2	835-8568000	胶管总成	Hose assembly	
23	2	870-8500013	直角接头	Square joint	
24	2	810M-0500002	直角接头	Square joint	
25	1	850D-8500002	直角接头	Square joint	
26	3	855-7500002	直接头	Straight joint	
27	1	T0301-01000	左先导阀	Left pilot valve	
28	1	835-8576000	密封胶套	Seal sleeve	

85.3.1 先导部分液压系统—先导操纵(适用83504机型) HYDRAULIC SYSTEM FOR PILOT CONTROL (APPLY TO 83504 TYPE)



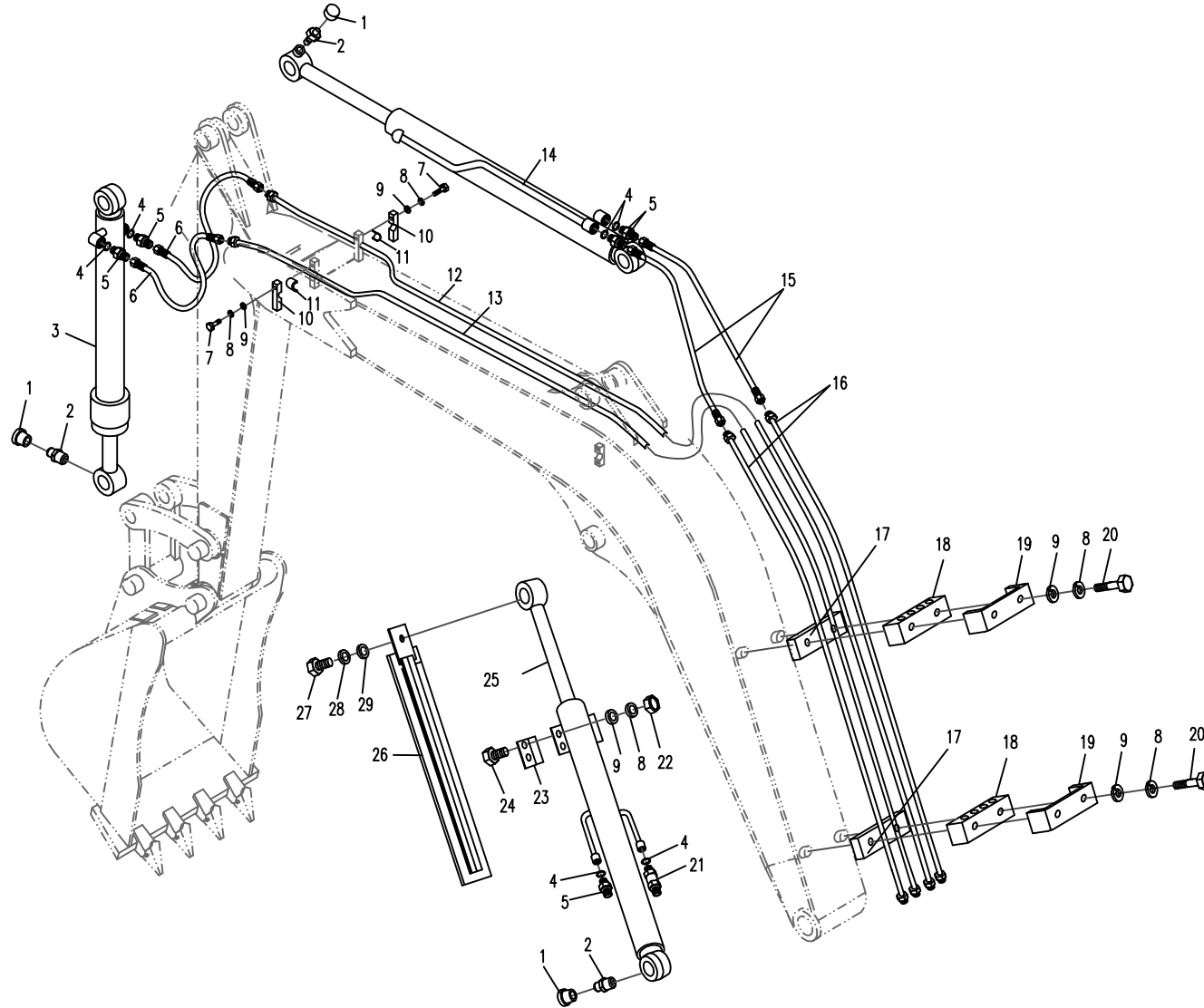
85.4.1 先导部分液压系统—推土操纵(适用83504机型) HYDRAULIC SYSTEM FOR PILOT PART-DOZER CONTROL (APPLY TO 83504 TYPE)



95.1.1 工作装置的液压系统(适用83504机型) HYDRAULIC SYSTEM FOR WORKING EQUIPMENT (APPLY TO 83504TYPE)

序号 No.	数量 Quantity	代号 Code	名称 Description		备注 Remark
1	6	801-0400001	油杯盖	Grease Cup cover	
2	6	M10×1 JB/T7940.1	直通式压注油杯	Grease Cup	Zn.D
3	1	835-9501000	铲斗油缸总成	Bucket cylinder	
4	6	17.8×2.4 NBR-90 ISO	O形橡胶密封圈	O-Ring	
5	5	850-0500005	直接头	Bolt joint	
6	2	830D-9503000	胶管总成	Hose assembly	
7	2	M8×30 GB/T5783	六角头螺栓	Bolt	8.8 Zn.D
8	10	8 GB/T93	弹簧垫圈	Spring washer	Zn.D
9	10	8 GB/T97.1	平垫圈	Washer	Zn.D
10	2	820-9500003A	管夹	Pipe clamp	
11	2	820-9500004	胶垫	Rubber spacer	
12	1	835-9512000	钢管总成	Steel pipe assembly	
13	1	835-9513000	钢管总成	Steel pipe assembly	
14	1	830D-9552000	斗杆油缸总成	Arm cylinder	江苏恒立
15	2	835-9505000	胶管总成	Hose assembly	
16	2	830D-9514000	钢管总成	Steel pipe assembly	
17	2	820-9500012	下压板	Lower clamping plate	
18	2	820-9500011	管夹	Pipe clamp	
19	2	820-9500009	上压板	Upper clamping plate	
20	4	M8×40 GB/T5783	六角头螺栓	Bolt	8.8 Zn.D
21	1	830D-9530000	单向节流阀	One-way restrictor	
22	4	M8 GB/T6170	1型六角螺母	Nut	Zn.D
23	2	820-9509001	引导板	Pilot plate	
24	4	M8×20 GB/T5783	六角头螺栓	Bolt	8.8 Zn.D
25	1	830D-9553000	动臂油缸总成	Boom cylinder assembly	江苏恒立
26	1	820-9509100	保护板	Protective plate	
27	1	M12×30 GB/T5783	六角头螺栓	Bolt	8.8 Zn.D
28	1	12 GB/T93	弹簧垫圈	Spring washer	Zn.D

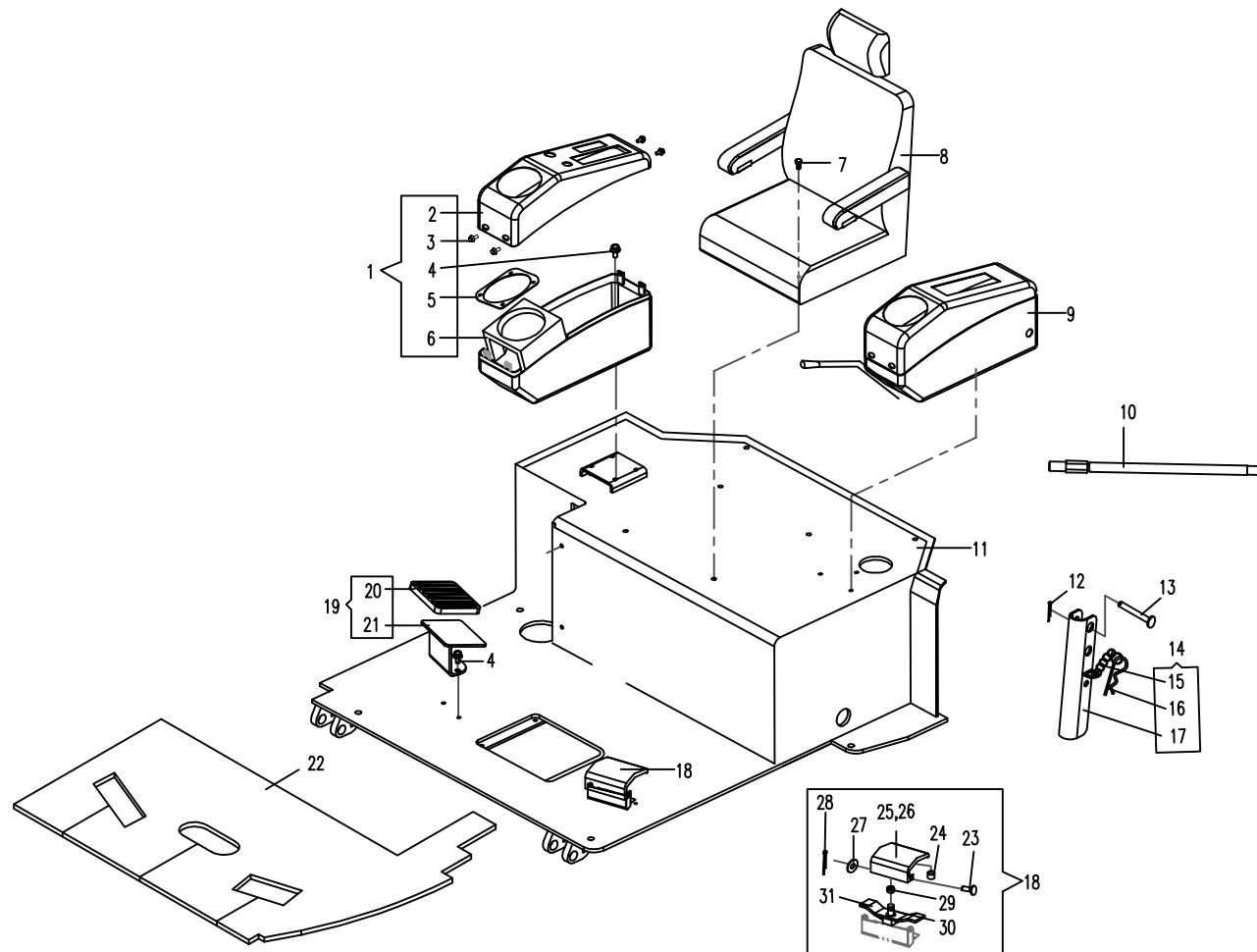
95.1.1 工作装置的液压系统(适用83504机型) HYDRAULIC SYSTEM FOR WORKING EQUIPMENT (APPLY TO 83504TYPE)



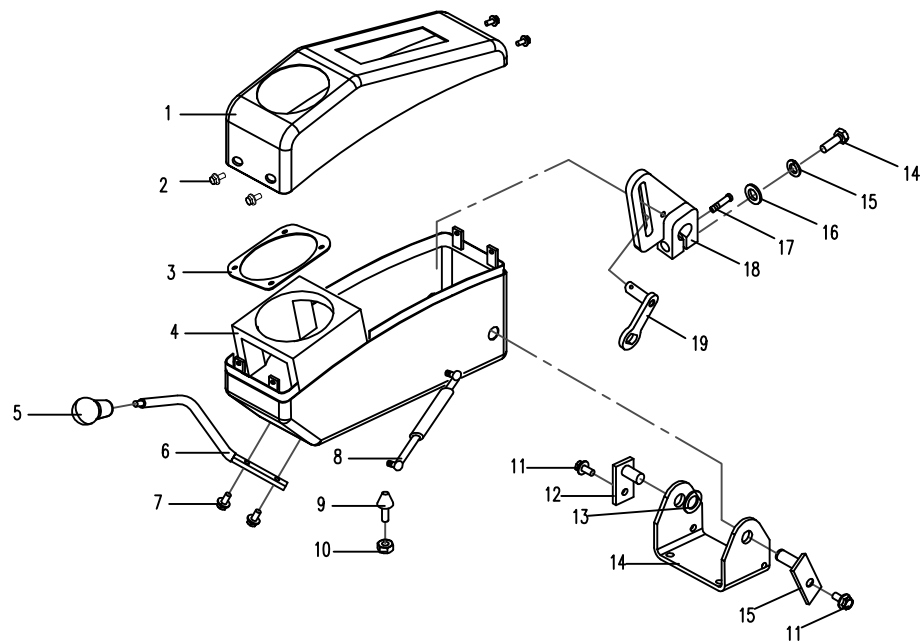
06.1.1 操纵机构(适用83504 机型) CONTROL FRAMEWORK (APPLY TO 83504 TYPE)

序号 No.	数量 Quantity	代号 Code	名称 Description		备注 Remark
1	1	835-0643000	右操纵箱	Right Control Box	
2	1	835-0643001	右上箱盖	Right upper box cover	
3	4	M6×12 GB/T5789	六角法兰面螺栓	Bolt	8.8 Zn.D
4	4	M8×16 GB/T5789	六角法兰面螺栓	Bolt	8.8 Zn.D
5	1	860-0600004	压板	Press plate	
6	1	835-0643100	右下箱	Right lower box	
7	4	M8×12 GB/T70.1	内六角圆柱头螺钉	Bolt	8.8 Zn.D
8	1	830D-0600026	座椅	Seat	
9	1	835-0617000	左操纵箱	Left Control Box	展开见06.2.1 (Unwinding 06.2.1)
10	1	835-0616000	保护杆装置	Protector	
11	1	835-0642000	底板组件	Base plate subassembly	展开见06.3.1 (Unwinding 06.3.1)
12	1	4×40 GB/T91	开口销	Cotter pin	Zn.D
13	1	835-0200016A	翻转销	Overturn pin	
14	1	835-0611000B	锁定杆	Lock staff	
15	1	810-0900003	链条	Less shackle	
16	1	801-0500039	弹性销	Spring pin	
17	1	835-0611010B	锁定杆	Lock staff assembly	
18	1	830P-0609000	辅助脚踏板	Assistant footplate	
19	1	835-0614000A	脚踏板组件	Footplate assembly	
20	1	860E-0613001	橡胶踏	Rubber footplate	
21	1	835-0642100	脚踏座	Footplate pedestal	
22	1	835-0613000	地板胶	Rubber floorboard	
23	2	6×16 GB/T 882	销轴	Pin shaft	
24	1	830D-0900002	橡胶垫	Rubber pad	
25	1	860E-0613001	橡胶踏	Rubber footplate	
26	1	830P-0609100	脚踏盖板	Cover plate	
27	1	6 GB/T97.1	平垫圈	Spring washer	Zn.D
28	2	2×12 GB/T 91	开口销	Cotter pin	Zn.D

06.1.1 操纵机构(适用83504机型) CONTROL FRAMEWORK (APPLY TO 83504TYPE)



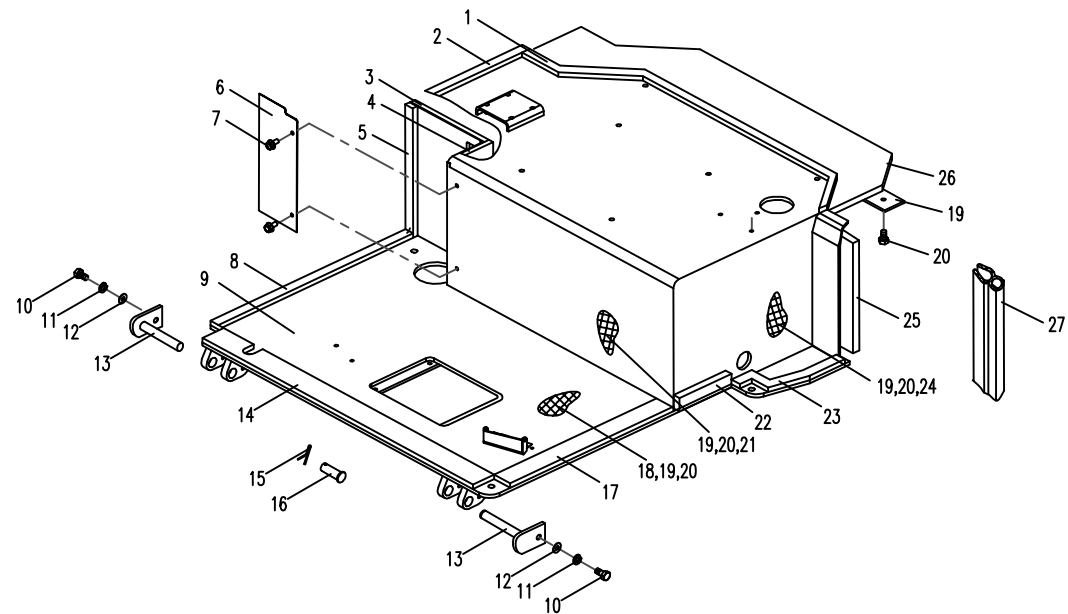
06.2.1 左操纵箱(适用83504机型) LEFT CONTROL BOX (APPLY TO 83504TYPE)



06.3.1 底板组件(适用83504 机型) BORROM PLATE SUBASSEMBLY (APPLY TO 83504 TYPE)

序号 No.	数量 Quantity	代号 Code	名称 Description		备注 Remark
1	1	835-0642006	后海绵垫	Back spongy cushion	
2	1	835-0642007	右后海绵垫	Right-back spongy cushion	
3	1	835-0642008	右后海绵	Right-back spongy	
4	1	835-0642016	右侧海绵	Right spongy	
5	1	835-0642009	右侧海绵垫	Right spongy cushion	
6	1	835-0642015	封板	Cover	
7	2	M8×16 GB/T5789	六角法兰面螺栓	Bolt	8.8 Zn.D
8	1	835-0642002	右海绵垫	Right spongy cushion	
9	1	835-0642100	底板	Bottom plate	
10	2	M8×20 GB/T5783	六角头螺栓	Bolt	8.8 Zn.D
11	2	8 GB/T93	弹簧垫圈	Spring washer	Zn.D
12	2	8 GB/T97.1	平垫圈	Spring washer	Zn.D
13	2	835-0603000A	转轴	Turnning pin	
14	1	835-0642003	前海绵垫	Front spongy cushion	
15	1	4×40 GB/T91	开口销	Cotter pin	Zn.D
16	1	835-0200016A	翻转销	Overturn pin	
17	1	835-0642004	左海绵垫	Left spongy cushion	
18	1	835-0642001	前底海绵	Front underside spongy	
19	14	830P-0606001	垫板	Stepping Plate	
20	28	M6×12 GB/T5789	六角法兰面螺栓	Bolt	8.8 Zn.D
21	1	835-0642012	前海绵	Front spongy	
22	1	835-0642011	左侧海绵垫	Left spongy cushion	
23	1	835-0642005	左后海绵垫	Left-back spongy cushion	
24	1	835-0642017	左侧海绵	Left spongy	
25		835-0642013	左后海绵	Left-back spongy	
26	1	835-0642014	后海绵	Back spongy	
27	345mm	860-1000016	密封条	Seal strip	

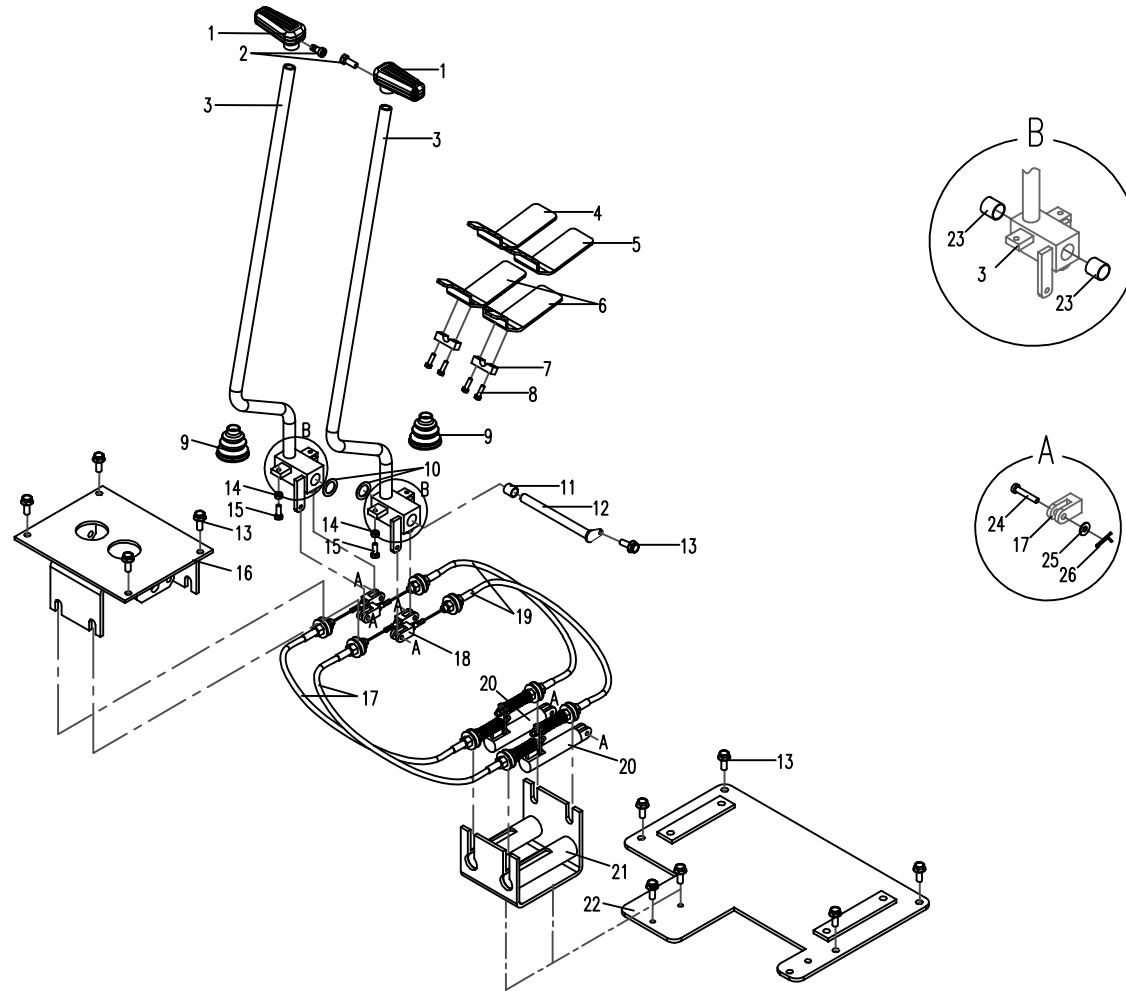
06.3.1 底板组件(适用83504机型) BORROM PLATE SUBASSEMBLY (APPLY TO 83504TYPE)



06.4.1 行走操纵(适用83504机型) HOOF FRAMEWORK (APPLY TO 83504 TYPE)

序号 No.	数量 Quantity	代号 Code	名称 Description		备注 Remark
1	2	860L-0600003	手柄头	Handle boom	
2	2	M4×10 GB/T70.1	内六角圆柱头螺钉	Bolt	8.8 Zn.D
3	2	835-0641030A	操纵杆	Joy stick	
4	2	830D-0620015	胶踏板	Rubber footplate	
5	1	830D-0651000	右踏板	Right footplate	
6		830D-0652000	左踏板	Left footplate	
7	2	830D-0620016	卡板	Clip plank	
8	4	M8×25 GB/T5789	六角法兰面螺栓	Bolt	8.8-Zn.D
9	2	818B-0620004	防尘套	Dustproof cover	
10	1	16 GB/T97.1	平垫圈	Washer	
11	1	835-0641040	行走固定轴	Fix axis	
12	1	835-0641001	限位套	Locating sleeve	
13	11	M8×16 GB/T5789	六角法兰面螺栓	Bolt	8.8-Zn.D
14	4	M6 GB/T6170	I型六角螺母	Nut	Zn.D
15	4	M6×30 GB/T5783	六角头螺栓	Bolt	8.8-Zn.D
16	1	835-0641010A	盖板	Cover plate	
17	2	835-0641020A	钢丝软轴	Wire flexible shaft	
18	4	835-0620001A	M6连接叉	Screw fork M6	
19	2	835-0641060A	钢丝软轴	Wire flexible shaft	
20	2	835-0641070	滑杆	Sliding bar	
21	1	835-0641080	软轴支架	Supports for flexible shaft	
22	1	835-0641050	多路阀板	Valve plate	
23	4	830D-0623001	衬套1625	Bush 1625	
24	2	6×24 GB/T882	销轴	Pin	Zn.D
25	2	6 GB/T97.1	平垫圈	Washer	Zn.D
26	4	1.2×12 GB/T91	开口销	Cotter pin	Zn.D

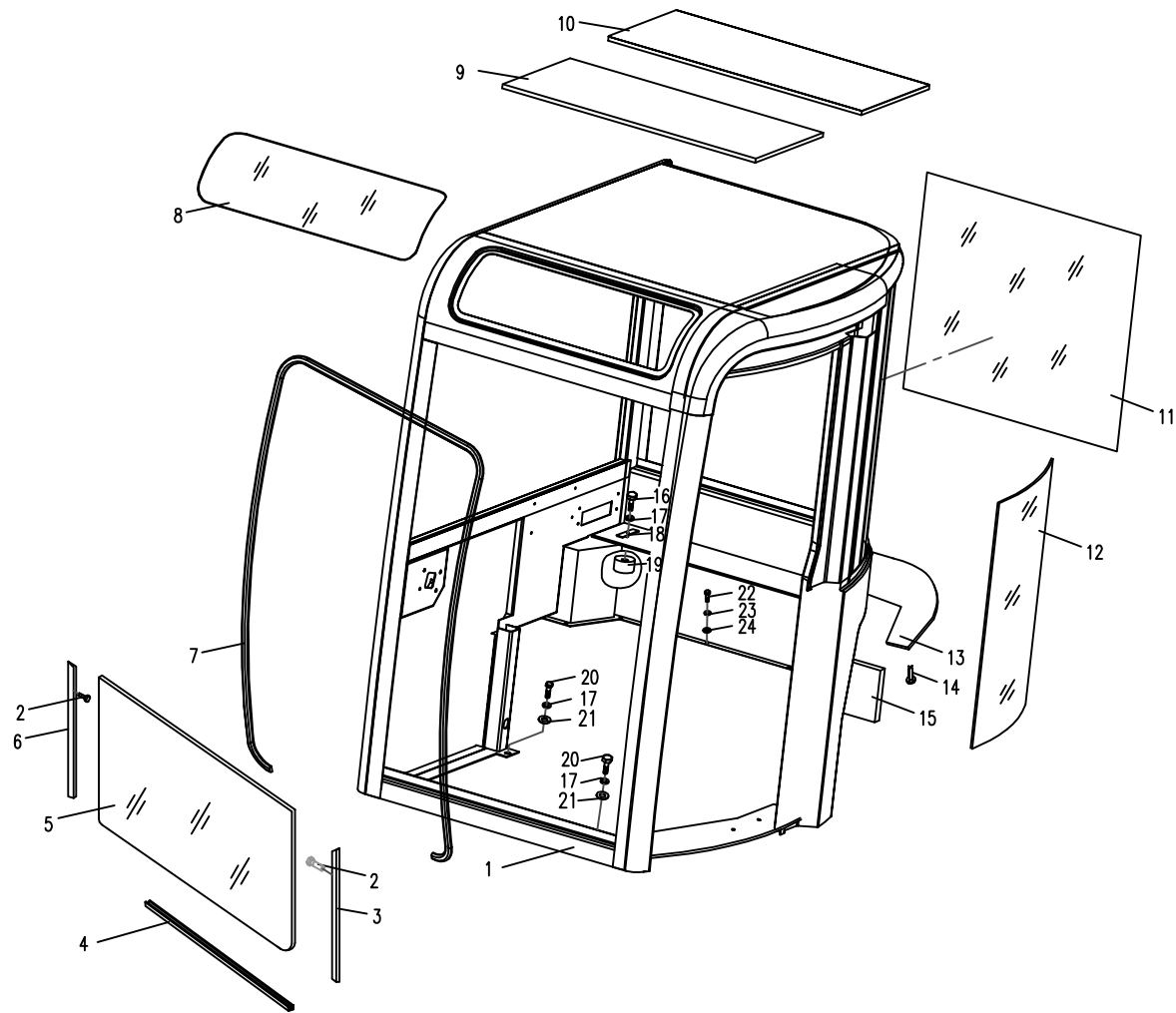
06.4.1 行走操纵(适用83504机型) HOOF FRAMEWORK (APPLY TO 83504 TYPE)



07.1.1 驾驶室安装1(适用83504机型) CAB SUBASSEMBLY 1 (APPLY TO 83504 TYPE)

序号 No.	数量 Quantity	代号 Code	名称 Description		备注 Remark
1	1	835-0701000C	驾驶室主体	Cab main body	
2	8	M6×20 GB/T5789	六角法兰面螺栓	Bolt	8.8-Zn.D
3	1	835-0700007	左挡板	Left baffle	
4	3M	801-0700016	密封条	Rubber seal strip	
5	1	835-0700003	前下窗玻璃	Glass of front-lower window	
6	6	835-0700014	右挡板	Right baffle	
7	1	830D-0700028A	前密封胶条	Front joint strip	
8	1	835-0700002	前顶窗玻璃	Glass of front-tip window	
9	1	835-0700009	顶饰海绵II	Top Sponge I	
10	1	835-0700008	顶饰海绵I	Top Sponge II	
11	1	835-0700005A	后窗玻璃	Glass of rear window	
12	1	835-0700001	左后侧窗玻璃	Glass of left-rear window	
13	1	835-0700034	隔热板	Thermal baffle	
14	17	830D-1010001	塑料卡钉	Plastic staple	
15	1	835-0700035	隔热板	Thermal baffle	
16	2	M14×70 GB/T70.1	内六角圆柱头螺钉	Bolt	10.9 达克罗
17	5	14 GB/T93	弹簧垫圈	Spring washer	Zn.D
18	2	835-0700051	垫板	Plate	
19	2	835-0700026	减震垫	Cushion pad	
20	3	M14×60 GB/T5783	六角头螺栓	Bolt	10.9 达克罗
21	3	14 GB/T97.1	平垫圈	Washer	Zn.D
22	4	M12×20 GB/T5783	六角头螺栓		10.9 达克罗
23	4	12 GB/T93	弹簧垫圈	Spring washer	Zn.D
24	4	12 GB/T97.1	平垫圈	Washer	Zn.D

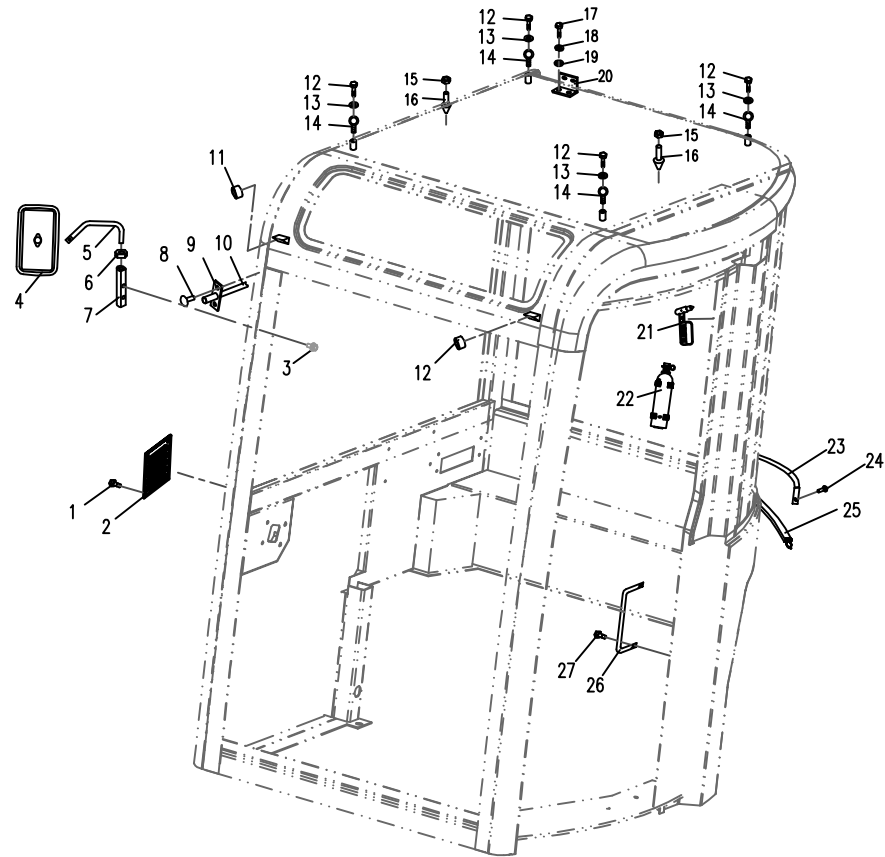
07.1.1 驾驶室安装1(适用83504机型) CAB SUBASSEMBLY 1 (APPLY TO 83504YPE)



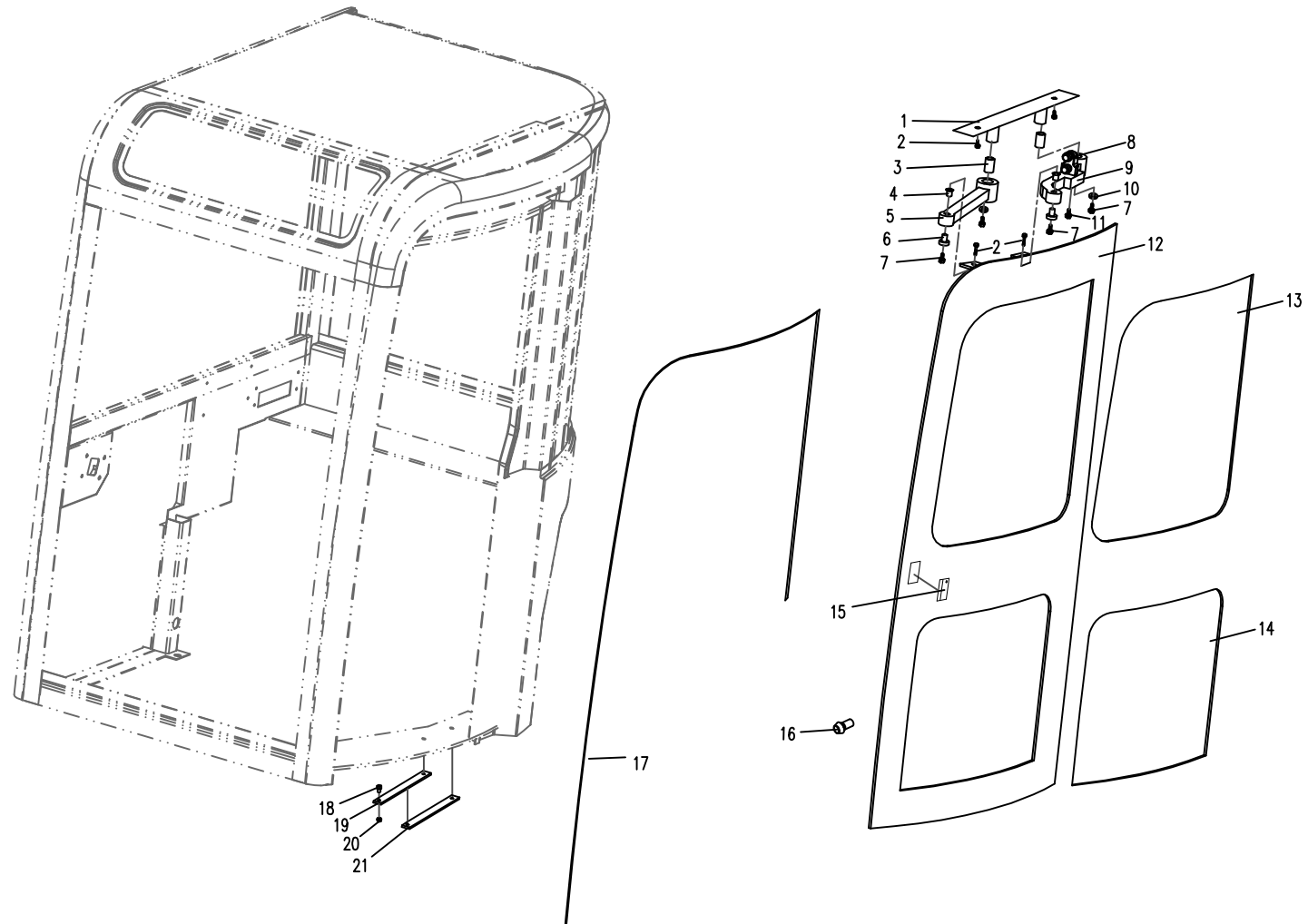
07.2.1 驾驶室组件2 (适用83504机型) CAB SUBASSEMBLY 2 (APPLY TO 83504 TYPE)

序号 No.	数量 Quantity	代号 Code	名称 Description		备注 Remark
1	8	M6×20 GB/T5789	六角法兰面螺栓	Bolt	8.8-Zn.D
2	1	835-0700025	新风窗口	Output wind port	
3	2	M6×16 GB/T5789	六角法兰面螺栓	Bolt	8.8-Zn.D
4	2	830E-0700003	后视镜	Rearview mirror	
5	1	830E-0700013	后视镜右支杆	Right bracket	
6	2	830E-0700012	锁紧螺母	Blocking nut	
7	2	830E-0700014	固定杆	Fixing Pole	
8	1	ST4.8×22 GB/T845	十字槽盘头自攻螺钉	Bolt	8.8 Zn.D
9	1	860E-0700021	喷水嘴	Spout	
10	1	860E-0700025	喷水壶水管	Blow can hose	
11	3	830E-0700015	橡胶圈	Rubber ring	
12	4	M16×20 GB/T5789	六角法兰面螺栓	Bolt	
13	4	860-0705002	垫片	Washer	
14	4	M16×28 GB/T825	吊环螺钉	Lifting eye bolt	
15	2	M12 GB/T6170	I型六角螺母	Nut	
16	2	835-0708000	橡胶座	Rubber-pad	
17	6	M8×16 GB/T5789	六角法兰面螺栓	Bolt	
18	2	8 GB/97.1	平垫圈	Washer	
19	2	818F-0710002	胶垫	Cushion	
20	1	818F-0710001A	警示灯支架	Bracket	
21	1	830H-0700012	逃生锤	Lifesaving hammer	
22	1	830D-0713000	灭火器	Fire extinguisher	
23	1	835-0700004	翻转扶手	Overturn-handrail	
24	2	M10×20 GB/T5789	六角法兰面螺栓	Bolt	
25	1	830D-0700028A	前密封胶条	Front joint strip	
26	1	835-0700019	内扶手	Inside handrail	
27	6	M8×16 GB/T5789	六角法兰面螺栓	Bolt	

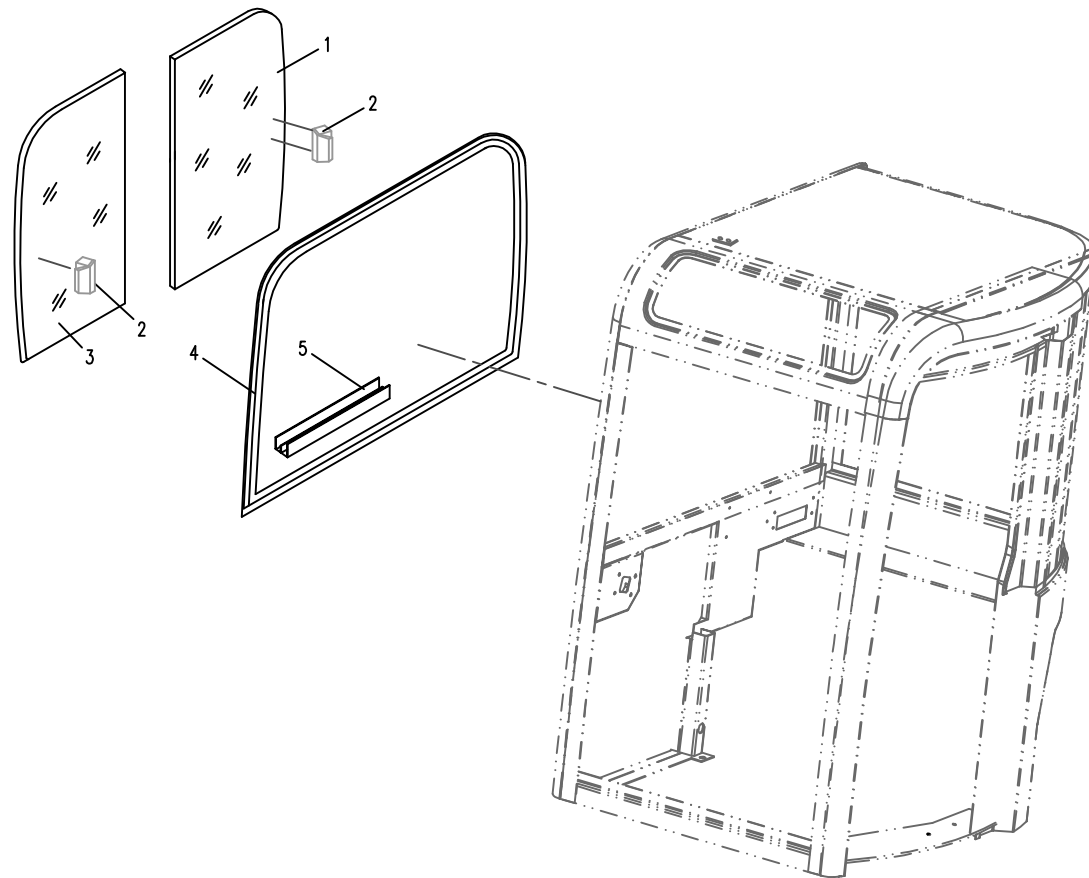
07.2.1 驾驶室组件2 (适用83504机型) CAB SUBASSEMBLY 2(APPLY TO 83504TYPE)



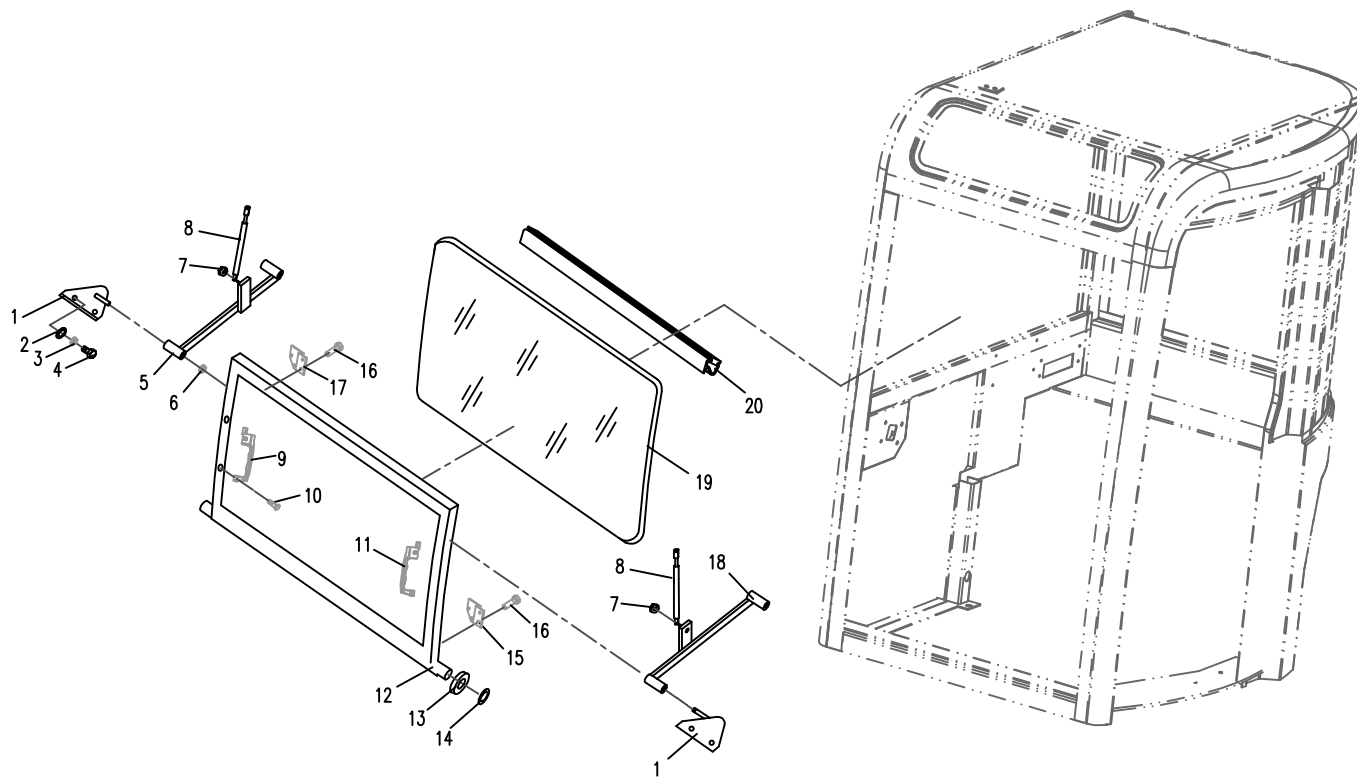
07.3.1 驾驶室门安装(适用83504机型) CAB-DOOR ASSEMBLY(APPLY TO 83504TYPE)



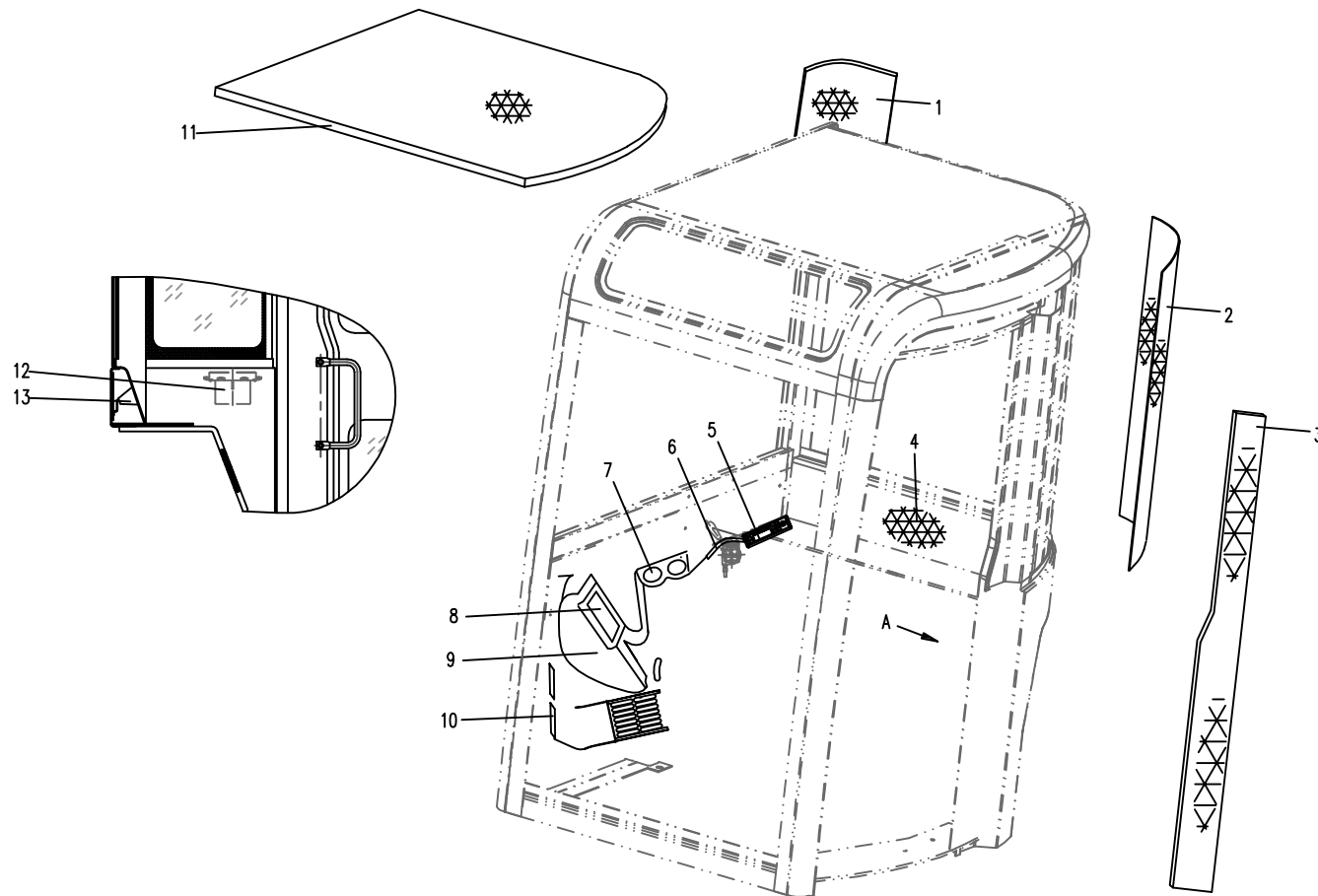
07.4.1 驾驶室移动窗组件(适用83504机型) CAB-MOVING WINDOW ASSEMBLY (APPLY TO 83504 TYPE)



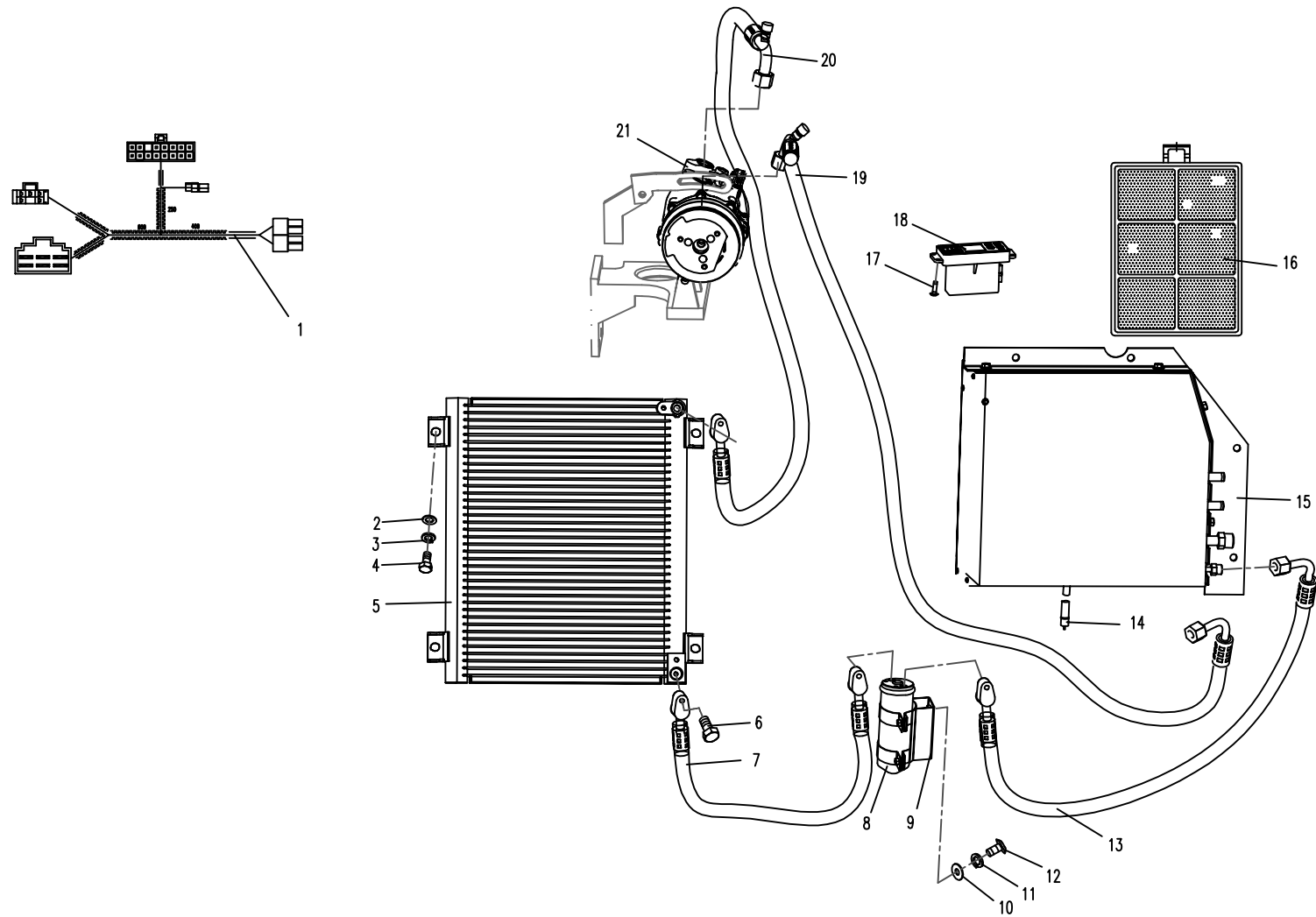
07.5.1 驾驶室翻转窗组件(适用83504机型) CAB OVERTURN WINDOW ASSEMBLY(APPLY TO 83504 TYPE)



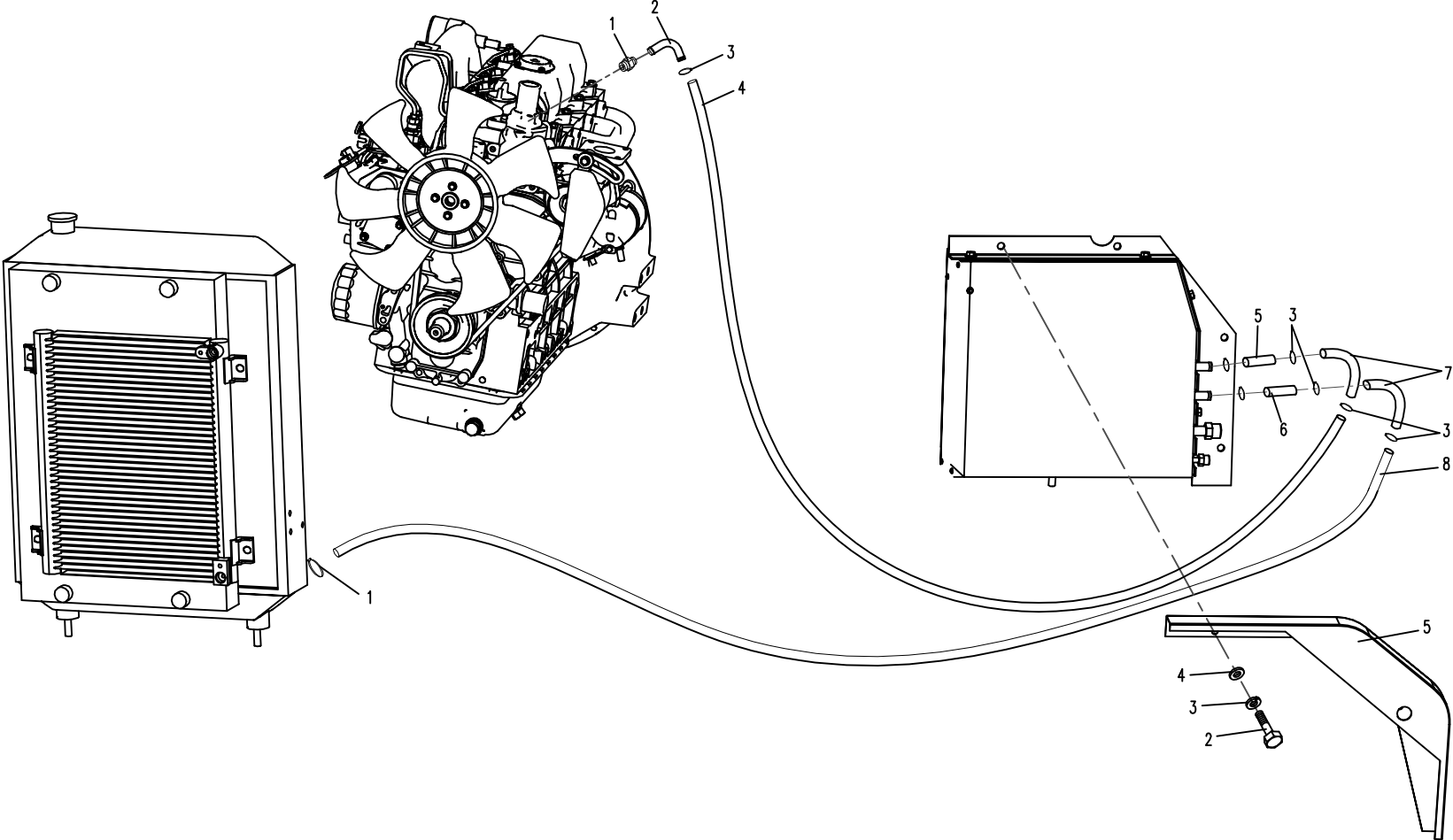
07.6.1 驾驶室内饰总成 (适用83504机型) CAB INTERIOR DECORATIONS ASSEMBLY (APPLY TO 83504 TYPE)



08.1.1 空调系统—制暖 (适用83504机型) AIR-CONDITION SYSTEM -CALEFACTION (APPLY TO 83504 TYPE)



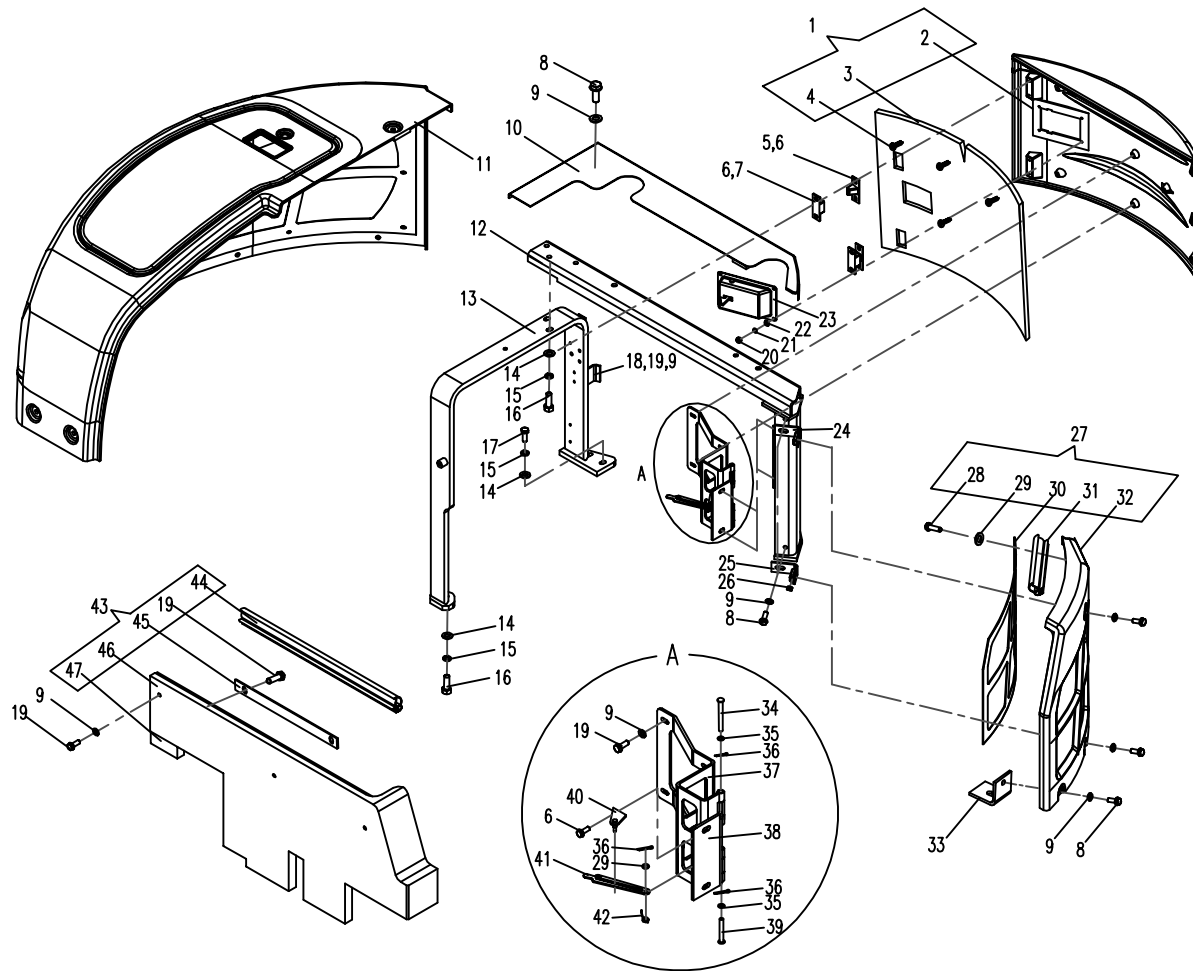
08.2.1 空调系统-制冷 (适用83504机型) AIR-CONDITION SYSTEM -REFRIGERATION (APPLY TO 83504 TYPE)



09.1.1 覆盖件总成 (适用83504机型) COVERING ASSEMBLY (APPLY TO 83504 TYPE)

序号 No.	数量 Quantity	代号 Code	名称 Description		备注 Remark
1	1	835-1001000	机罩	Engine Hood	
2	1	835-1001100	机罩体	Engine hood body	
3	1	835-1001002	海绵板	Sponge	
4	7	830D-1010001	塑料卡钉	Plastic attachment clip	
5	2	885-1000018	定位块	Spacer block	
6	10	M6×12 GB/T5789	六角法兰面螺栓	Bolt	8.8 Zn.D
7	2	885-1000019	定位座	Spacer block seat	
8	5	M8×25 GB/T5789	六角法兰面螺栓	Bolt	
9	9	8 GB/T96.1	大垫圈	Big washer	Zn.D
10	1	835-0930000	中盖板组件	Middle cover subassembly	
11	1	835-0911000	油箱罩体	Tank cover	展开见09.2.1
12	1	835-0941000	框架	Frame	
13	1	835-0942000	支座	Bearing	
14	7	12 GB/T97.1	平垫圈	Washer	
15	7	12 GB/T93	弹簧垫圈	Spring washer	
16	3	M12×40 GB/T5783	六角头螺栓	Bolt	8.8 Zn.D
17	4	M12×30 GB/T5783	六角头螺栓	Bolt	8.8 Zn.D
18	1	835-1000002B	锁扣	Snap close	
19	13	M8×16 GB/T5789	六角法兰面螺栓	Bolt	8.8 Zn.D
20	4	M6 GB/T6170	1型六角螺母	Nut	8 Zn.D
21	4	6 GB/T93	弹簧垫圈	Spring washer	Zn.D
22	4	6 GB/T97.1	平垫圈	Washer	Zn.D
23	1	870-1001800	侧门锁	Side door door	
24	1	835-0923000	上支架	Upper Bracket	
25	1	835-0922000	小支架	Litter Bracket	
26	2	M8 GB/T6170	1型六角螺母	Nut	8 Zn.D
27	1	835-1006000	左窗	Left window	
28	9	M6×8 GB/T947	开槽球面大圆柱头螺钉	Bolt	8.8 Zn.D

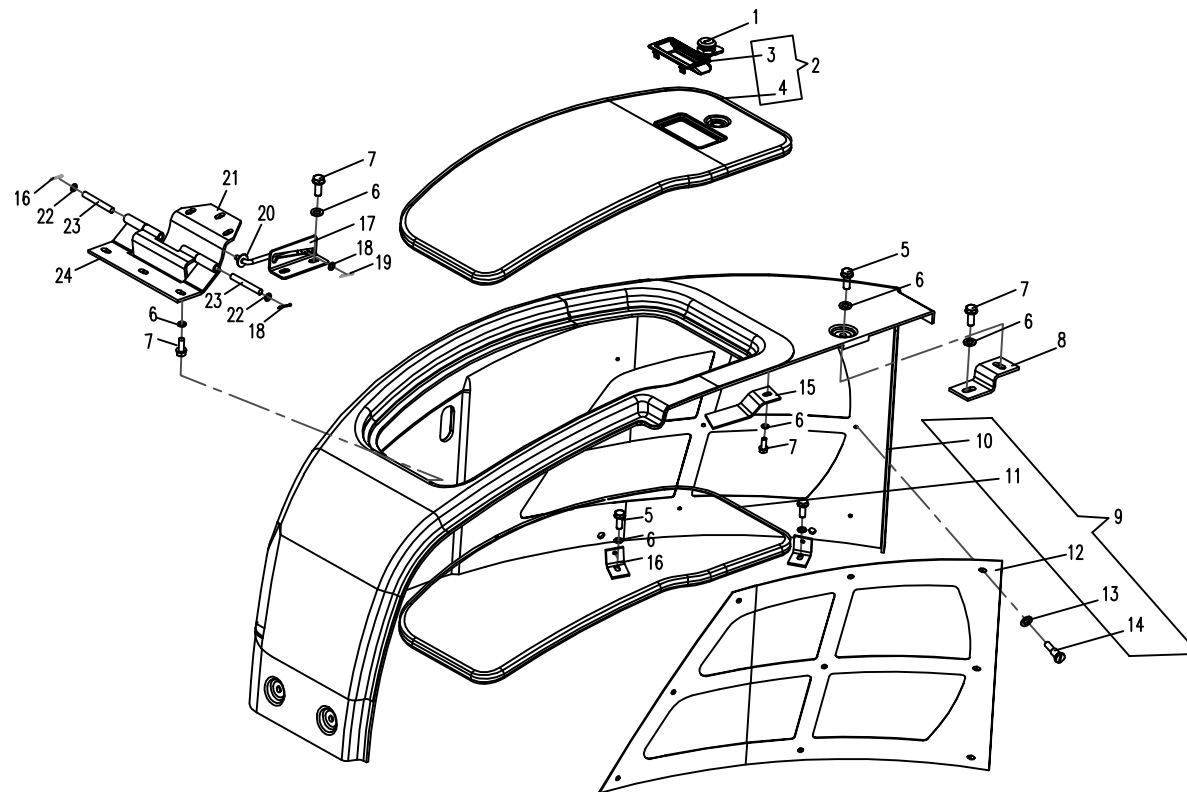
09.1.1 覆盖件总成(适用83504机型) COVERING ASSEMBLY (APPLY TO 83504 TYPE)



09.2.1 油箱罩安装 (适用83504机型) TANK COVER ASSEMBLY (APPLY TO 83504TYPE)

序号 No.	数量 Quantity	代号 Code	名称 Description		备注 Remark
1	1	835-0918001	罩盖锁	Cover-lock	
2	1	835-0915000	罩盖	Cover	
3	1	853D-0900004	把手	Handle	
4	1	835-0915100	罩盖体	Cover-body	
5	6	M8×25 GB/T5789	六角法兰面螺栓	Bolt	8.8 Zn.D
6	9	8 GB/T96.1	大垫圈	Big washer	Zn.D
7	6	M8×25 GB/T5789	六角法兰面螺栓	Bolt	8.8 Zn.D
8	1	835-0917000	支架	Bracket	
9	1	835-0911000	油箱罩体	Tank cover assembly	
10	1	835-0911200	油箱罩体	Tank cover	
11	1	853D-0903002A	密封胶条	Joint strip	
12	1	835-0911100	右滤网	Right filter screen	
13	9	6 GB/T96.1	大垫圈	Big washer	Zn.D
14	9	M6×8 GB/T947	开槽球面大圆柱头螺钉	Bolt	8.8 Zn.D
15	1	835-0910002	锁扣	Snap close	
16	2	835-0916000	小支架	Litter bracket	
17	1	835-0910001	支撑座	Brace seat	
18	4	2.5×24 GB/T91	开口销	Cotter pin	Zn.D
19	13	8 GB/T97.1	平垫圈	Washer	Zn.D
20	1	835-0914000	支撑杆	Support bar	
21	1	835-0913000	铰链	Hinge	
22	2	10 GB/T97.1	平垫圈	Washer	Zn.D
23	2	830D-1000003	销轴	Pin shaft	
24	1	835-0912000	铰链座	Hinge seat	

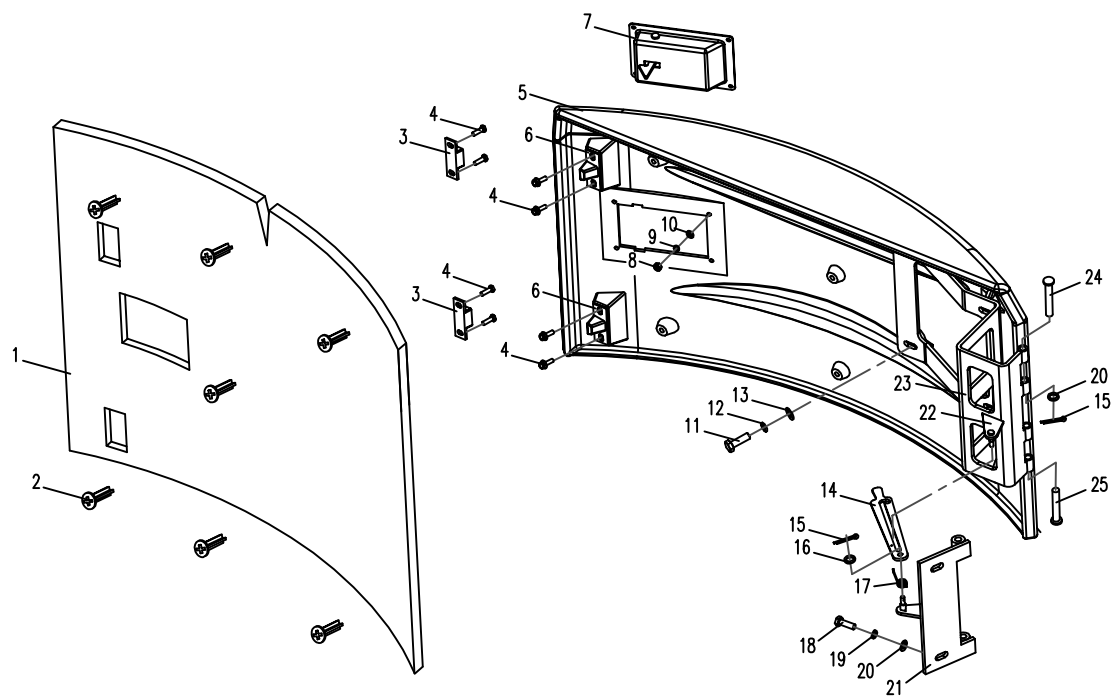
09.2.1 油箱罩安装(适用83504机型) TANK COVER ASSEMBLY (APPLY TO 83504 TYPE)



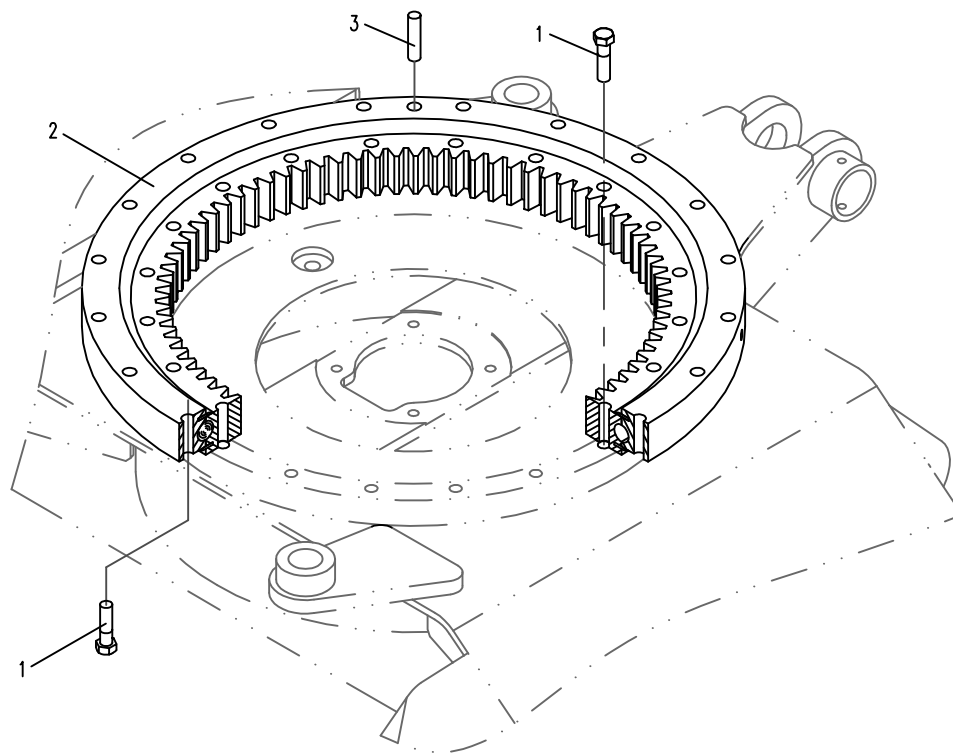
10.1.1 发动机罩（适用83504机型） ENGINE COVER HOOD (APPLY TO 83504 TYPE)

序号 No.	数量 Quantity	代号 Code	名称 Description		备注 Remark
1	1	835-1001002	海绵板	Slabstock foam	
2	7	830D-1010001	塑料卡钉	Plastic attachment clip	
3	2	885-1000019	定位座	Spacer block	
4	10	M6×12 GB/T5789	六角法兰面螺栓	Bolt	8.8 Zn.D
5	1	835-1001100	机罩体	Engine cover	
6	2	885-1000018	定位块	Spacer block	
7	1	870-1001800	侧门锁	Side Lock	
8	4	M6 GB/T6170	1型六角螺母	Nut	8 Zn.D
9	4	6 GB/T 93	弹簧垫圈	Spring washer	Zn.D
10	4	6 GB/T 97.1	平垫圈	Washer	Zn.D
11	4	M8×20 GB/T5783	六角头螺栓	bOLT	8.8 Zn.D
12	4	8 GB/T 93	弹簧垫圈	Spring washer	Zn.D
13	4	8 GB/T 97.1	平垫圈	Washer	Zn.D
14	4	835-1000004A	支撑	Support	
15	4	2×16 GB/T91	开口销	Cotter pin	Zn.D
16	5	6 GB/T96.1	大垫圈	Big washer	Zn.D
17	1	830D-1015001A	扭簧	Torsional spring	
18	4	M10×30 GB/T5783	六角头螺栓	Bolt	8.8 Zn.D
19	4	10 GB/T93	弹簧垫圈	Spring washer	Zn.D
20	6	10 GB/T97.1	平垫圈	Washer	Zn.D
21	1	835-1003000	铰链座	Hinge seat	
22	1	835-1004000	支架	Bracket	
23	1	835-1002000	铰链	Hinge	
24	1	830D-1000003	销轴	Pin shaft	
25	1	835-1000001A	销轴	Pin shaft	

10.1.1 发动机罩 (适用83504机型) ENGINE COVER HOOD (APPLY TO 83504TYPE)



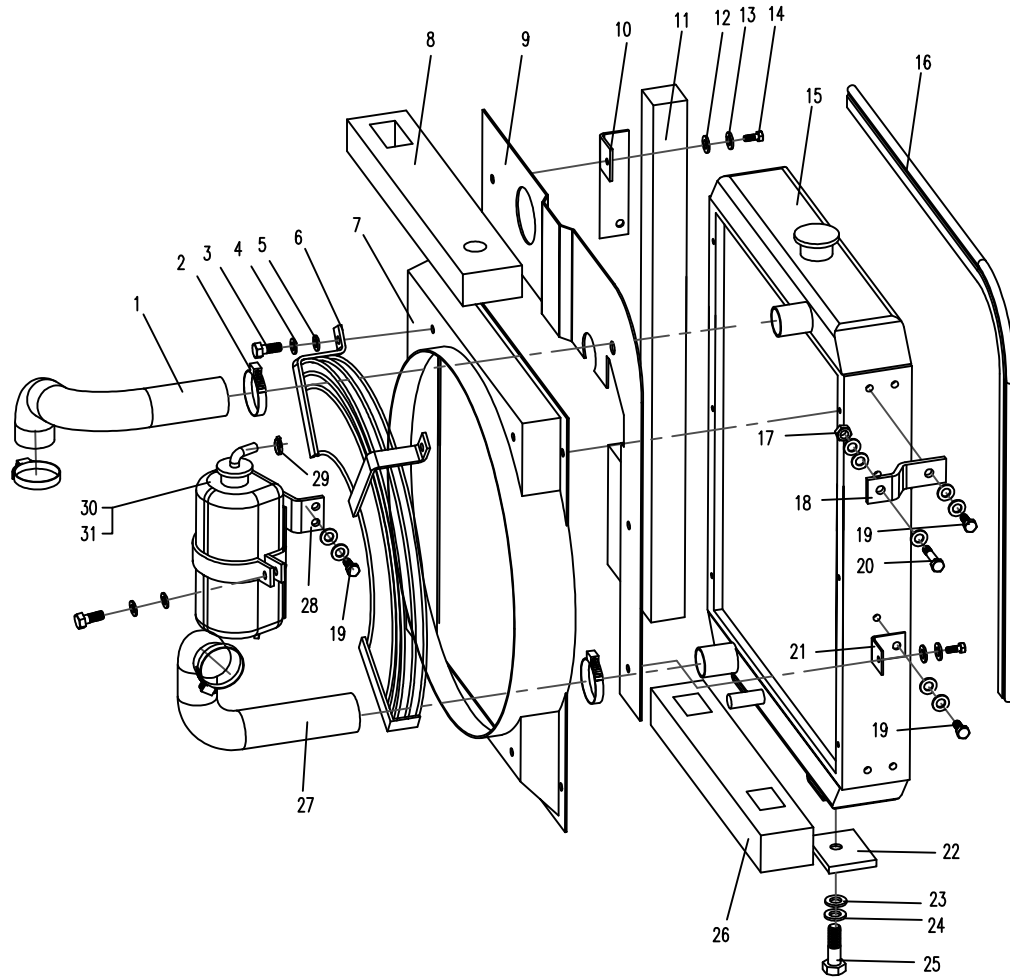
11.1.1 回转机构(适用83504机型) SLEWING SUPPORT (APPLY TO 83504TYPE)



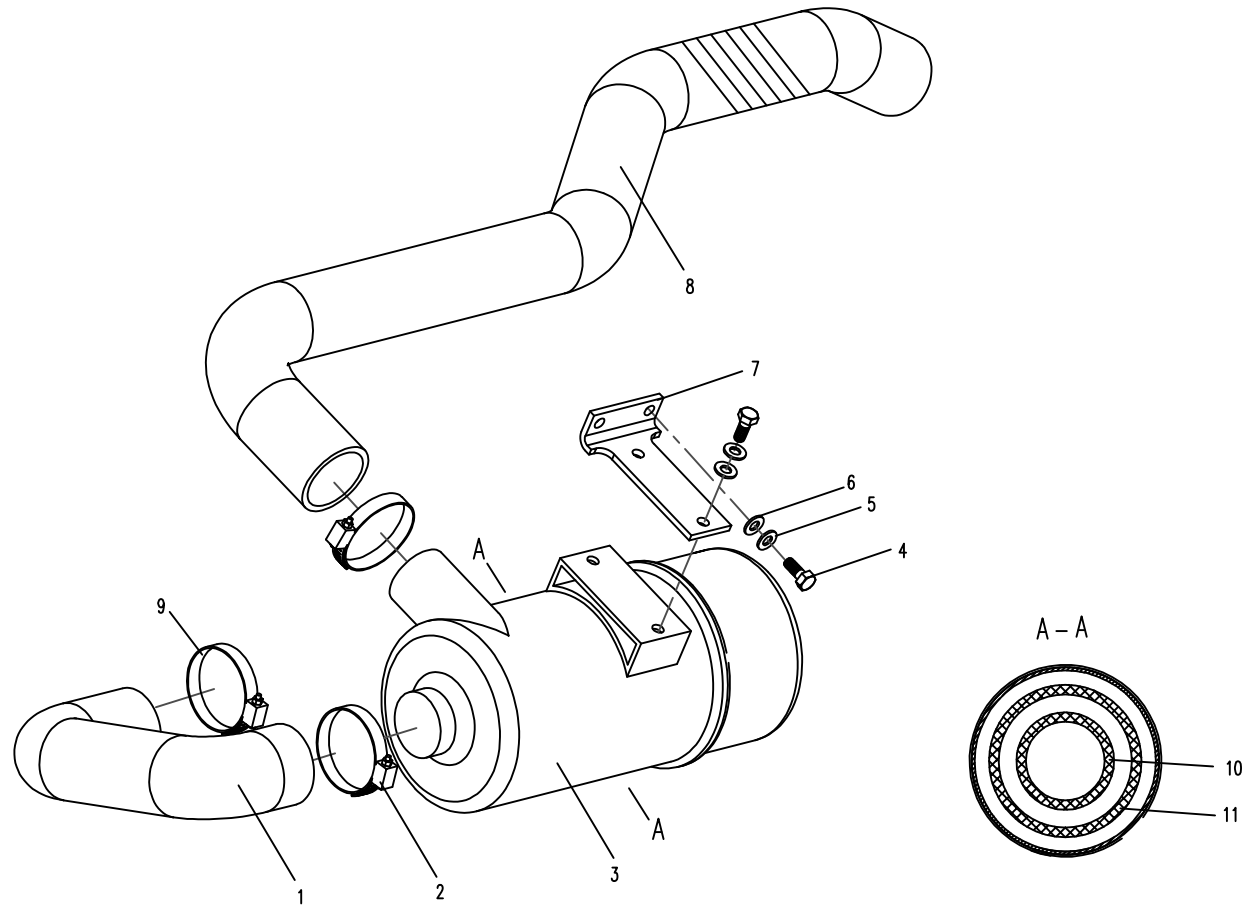
12.1.1 冷却系统 (适用83504机型) COOLING SYSTEM (APPLY TO 83504 TYPE)

序号 No.	数量 Quantity	代号 Code	名称 Description		备注 Remark
1	1	835-1218001	上水管	Upper water pipe	
2	4	d45 Q672	双钢丝式环箍	Hoop	
3	4	M8×16 GB/T5783	六角头螺栓	Bolt	8.8 Zn.D
4	9	8 GB/T93	弹簧垫圈	Spring washer	Zn.D
5	9	8 GB/T97.1	平垫圈	Washer	Zn.D
6	1	835-1201200	护网	Fender	
7	1	835-1201300	导风罩	Fan guide	
8	1	835-1218002	隔热垫	Heat-insulation spacer	
9	1	835-1218400	隔风板组件	Wind separate plate	
10	1	835-1201004	左固定板	Left support plate	
11	1	835-1201006	左隔热垫	Left heat-insulation spacer	
12	10	6 GB/T93	弹簧垫圈	Spring washer	Zn.D
13	10	6 GB/T97.1	平垫圈	Washer	Zn.D
14	10	M6×16 GB/T5783	六角头螺栓	Bolt	8.8 Zn.D
15	1	835-1218100	水散热器	Radiator	
16	L=1020	860-1000016	密封条	Seal	
17	1	M8 GB/T6170	I型六角螺母	Nut	
18	1	835-1201005	水箱上固定板	Radiator upper support	
19	4	M8×25 GB/T5783	六角头螺栓	Bolt	8.8 Zn. D
20	1	M8×40 GB/T5783	六角头螺栓	Bolt	8.8 Zn.D
21	2	835-1201003	右固定板	Right heat-insulation spacer	
22	2	835-1201011	橡胶垫	Rubber spacer	
23	2	12 GB/T97.1	平垫圈	Washer	Zn. D
24	2	12 GB/T93	弹簧垫圈	Spring washer	Zn.D
25	2	M12×40 GB/T5783	六角头螺栓	Bolt	10.9 达克罗
26	1	835-1201009	下隔风垫	Lower heat-insulation spacer	
27	1	835-1201002	下水管	Lower water pipe	
28	1	835-1201600A	水罐支架	Lower water pipe	

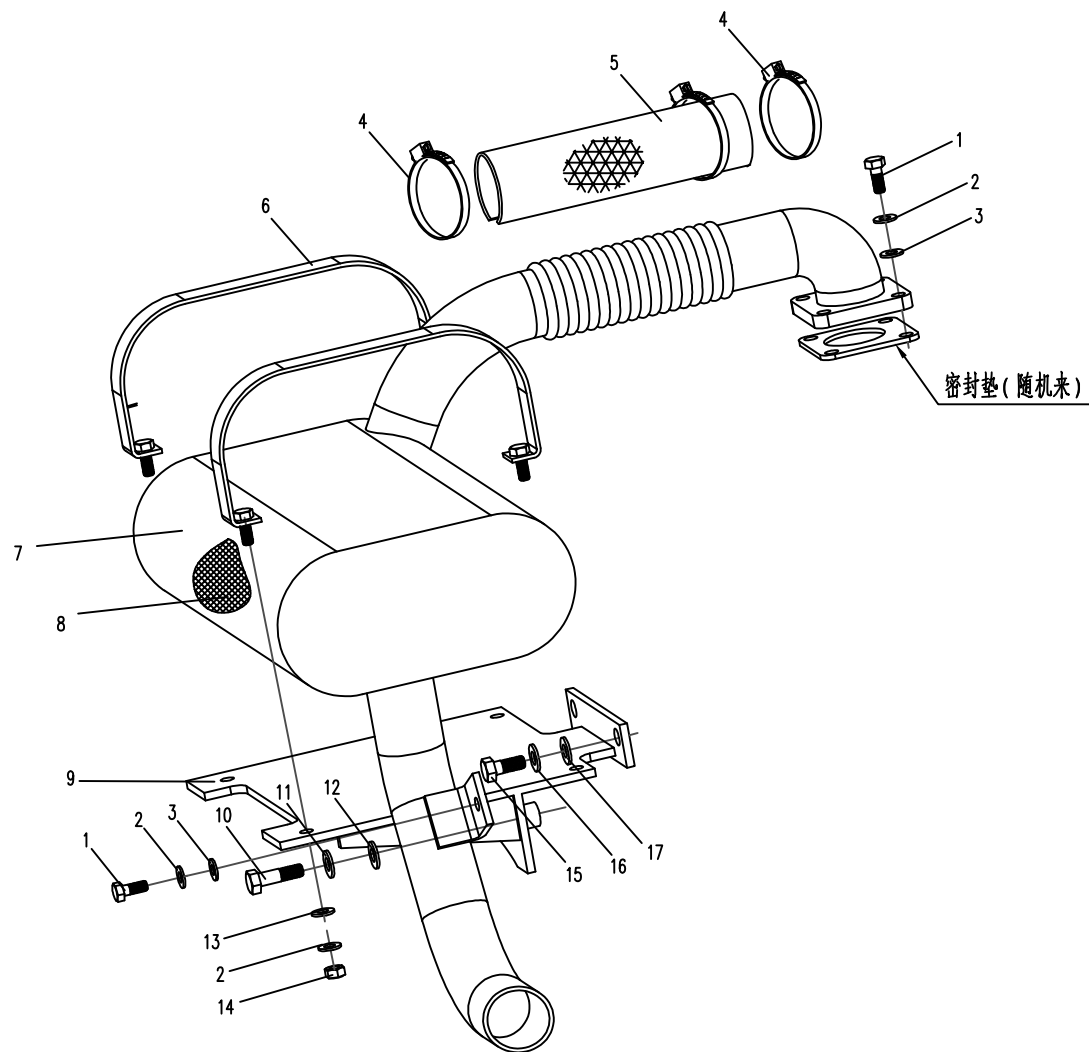
12.1.1 冷却系统 (适用83504机型) COOLING SYSTEM (APPLY TO 83504 TYPE)



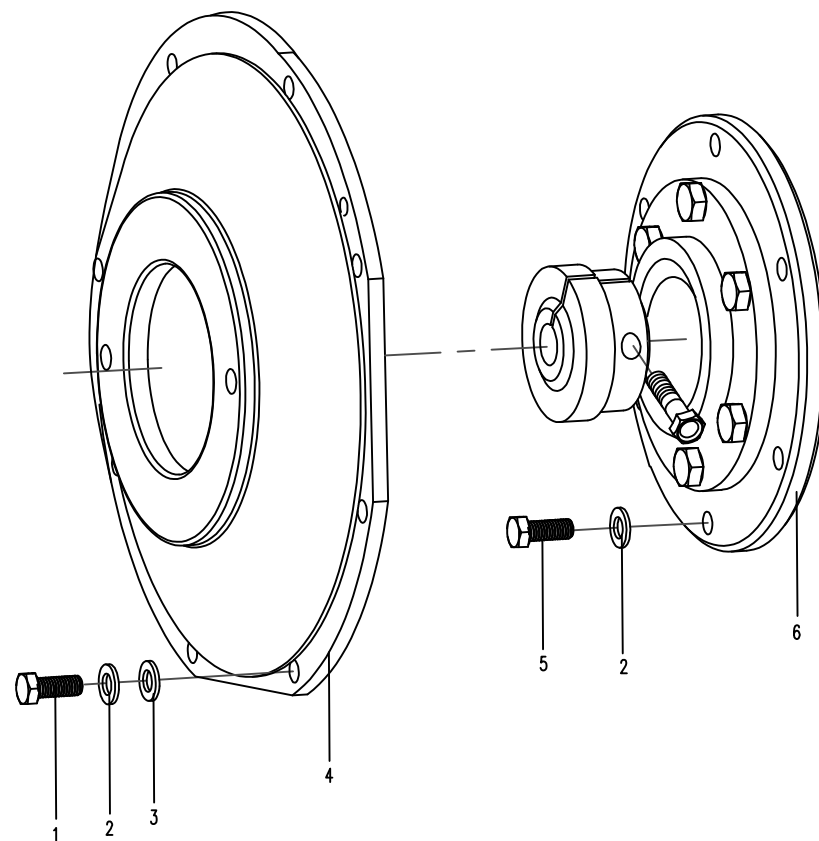
12.2.1 进气系统 (适用83504机型) AIR INLET SYSTEM (APPLY TO 83504 TYPE)



12.3.1 排气系统(适用83504机型) EXHAUST SYSTEM (APPLY TO 83504 TYPE)



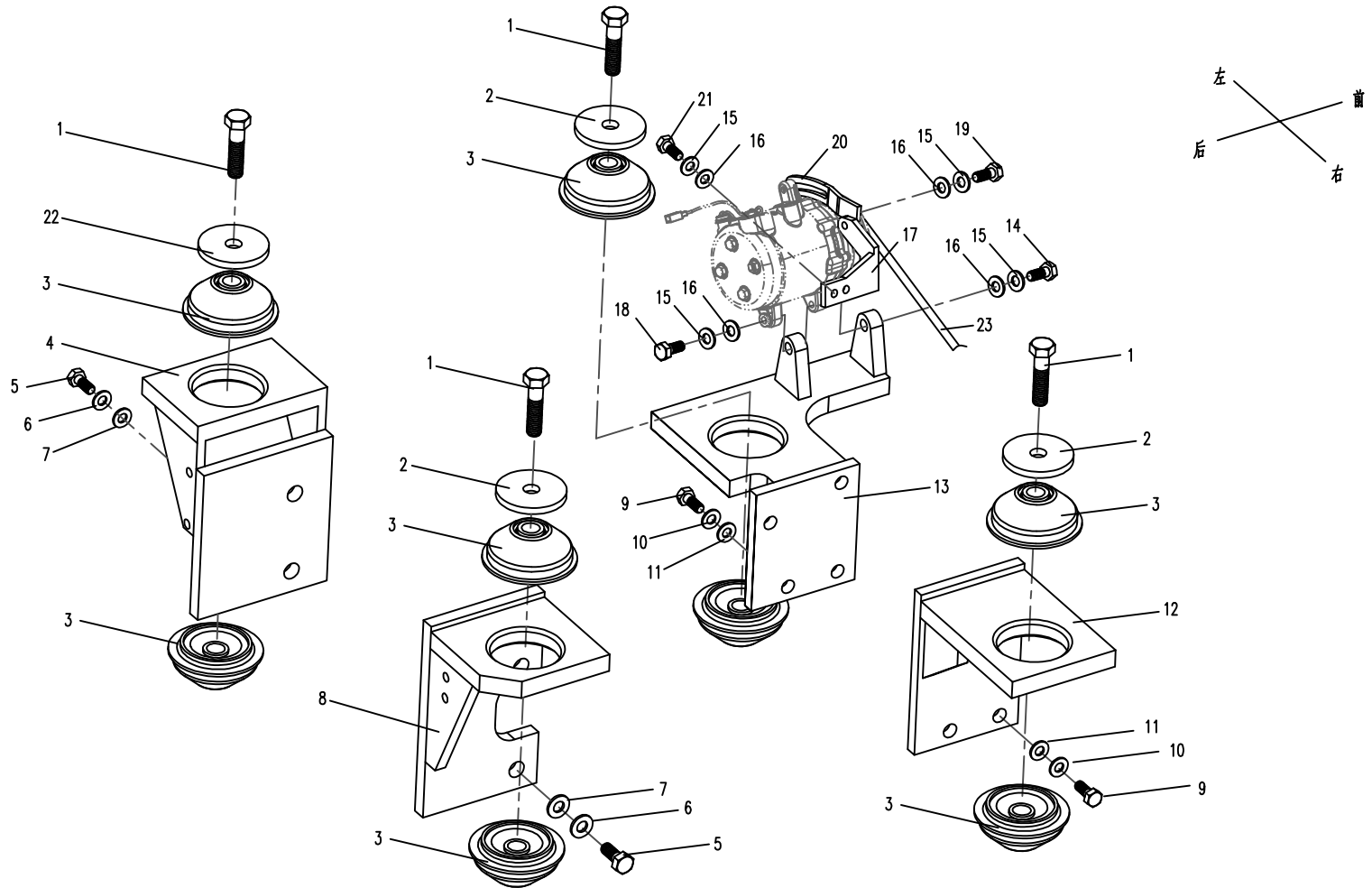
12.4.1 动力输出系统(适83504机型) POWER OUTPUT SYSTEM (APPLY TO 83504 TYPE)



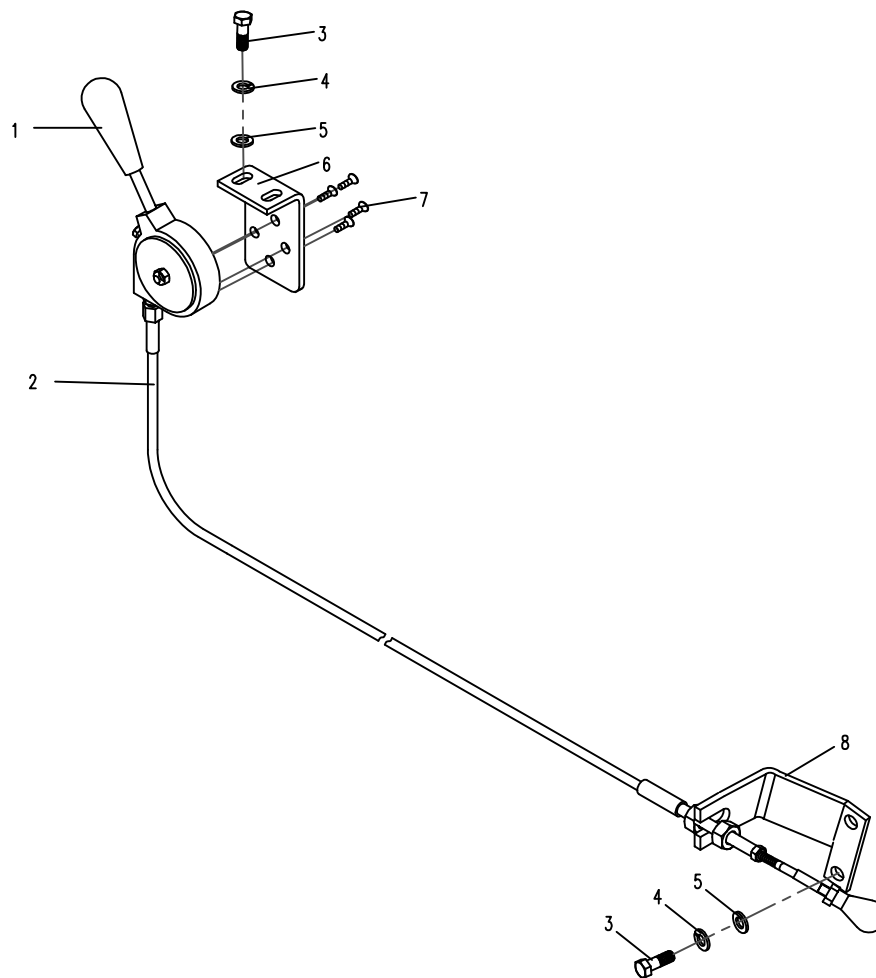
12.5.1 支承(适用83504机型) SUPPORT(APPLY TO 83504 TYPE)

序号 No.	数量 Quantity	代号 Code	名称 Description		备注 Remark
1	4	M12×110 GB/T5782	六角头螺栓	Bolt	10.9 达克罗
2	3	810K-1208003	圆垫	Washer	
3	8	828-1206001	减震器	Shock absorber	
4	1	835-1216100	左后支架	Rear-left bracket	
5	4	M14×1.5×35 GB/T5786	六角头螺栓	Bolt	10.9 达克罗
6	4	14 GB/T93	弹簧垫圈	Spring washer	Zn.D
7	4	14 GB/T97.1	垫圈	Washer	Zn.D
8	1	835-1216200	右后支架	Rear-right bracket	
9	6	M12×1.25×35 GB/T5783	螺栓	Bolt	10.9 达克罗
10	6	12 GB/T93	弹簧垫圈	Spring washer	Zn.D
11	6	12 GB/T97.1	垫圈	Washer	Zn.D
12	1	835-1209100	右前支架	Front-right bracket	
13	1	835-1208100	左前支架	Front-left bracket	
14	2	M8×35 GB/T5783	六角头螺栓	Bolt	10.9-达克罗
15	6	8 GB/T93	弹簧垫圈	Spring washer	Zn.D
16	6	8 GB/T97.1	垫圈	Washer	Zn.D
17	1	835-1208300	压缩机固定附板	Fixing plate	
18	1	M8×50 GB/T5783	六角头螺栓	Bolt	10.9-达克罗
19	2	M8×20 GB/T 5783	六角头螺栓	Bolt	8.8-Zn.D
20	1	830L-1208002	张紧杆	Tension staff	
21	2	M8×25 GB/T 5783	六角头螺栓	Bolt	8.8-Zn.D
22	1	830H-1201012	垫圈	Washer	
23	1	835-1208002	空调皮带	Strap	

12.5.1 支承(适用83504机型) SUPPORT(APPLY TO 83504 TYPE)



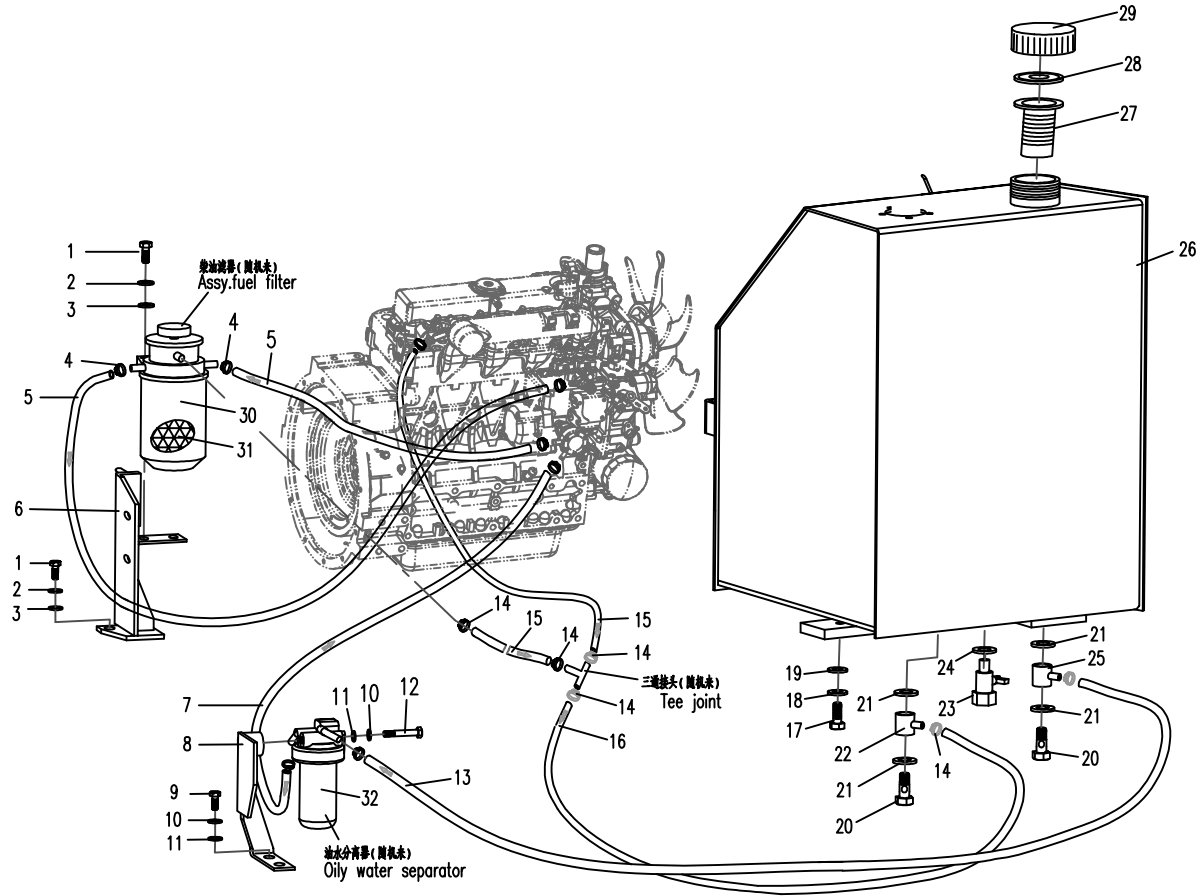
12.6.1 油门操纵系统(适用83504机型) THROTTLE CONTROL SYSTEM (APPLY TO 83504TYPE)



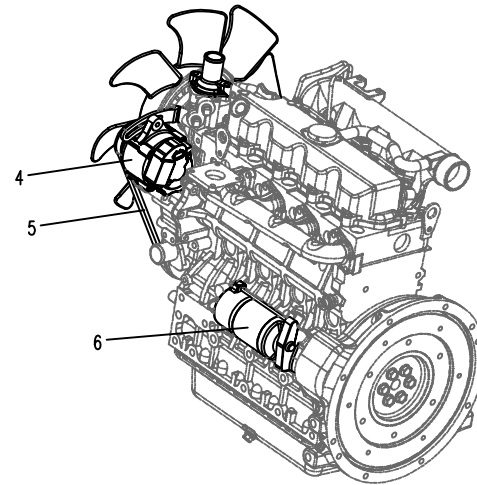
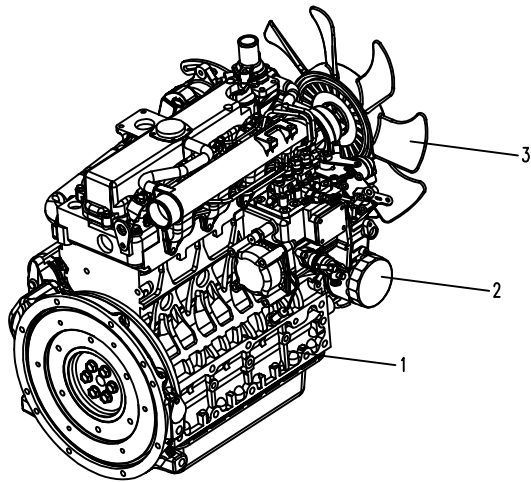
12.7.1 燃油系统(适用83504机型) FUEL SYSTEM (APPLY TO 83504 TYPE)

序号 No.	数量 Quantity	代号 Code	名称 Description		备注 Remark
1	5	M10×25 GB/T5783	六角头螺栓	Bolt	8.8 Zn.D
2	5	10 GB/T93	弹簧垫圈	Spring washer	Zn.D
3	5	10 GB/T97.1	平垫圈	Washer	Zn.D
4	8	d20 JB/T8870	喉箍	Hoop	
5	2	810H-1202003	供油管 II	Oile-out pipe II	
6	1	835-1211200A	油滤支架	Fuel filter bracket	
7	1	810H-1202004	供油管 III	Oile-out pipe III	
8	1	835-1211300	油水分离器支架	Bracket	
9	2	M8×16 GB/T5783	六角头螺栓	Bolt	8.8 Zn.D
10	4	8 GB/T93	弹簧垫圈	Spring washer	Zn.D
11	4	8 GB/T97.1	平垫圈	Washer	Zn.D
12	2	M8×65 GB/T5782	六角头螺栓	Bolt	8.8 Zn.D
13	1	830H-1200003	回油管	Oile-return pipe	
14	6	d12 JB/T8870	喉箍	Hoop	Zn.D
15	2	835-1211002	泄油接管	Fuel pipe	
16	1	835-1211001	回油管	Oile-return pipe	
17	3	M12×25 GB/T5783	六角头螺栓	Bolt	8.8 Zn.D
18	3	12 GB/T93	弹簧垫圈	Spring washer	Zn.D
19	3	12 GB/T97.1	平垫圈	Washer	Zn.D
20	2	820-8500001	铰接螺栓	Bolt	
21	4	820-8500002	密封垫	Gasket	
22	1	830D-0501009	泄油接管	Fuel pipe	
23	1	860-1205600	放油阀	Drain valve	
24	1	860-1205005	胶垫圈	Seal	
25	1	830D-0501008	出油接管	Fuel outlet pipe	
26	1	835-1211100	油箱主体	Fuel tank body	
27	1	801-1205400	滤网	Filter net	
28	1	801-1205300	燃油箱补气阀	Air vent	

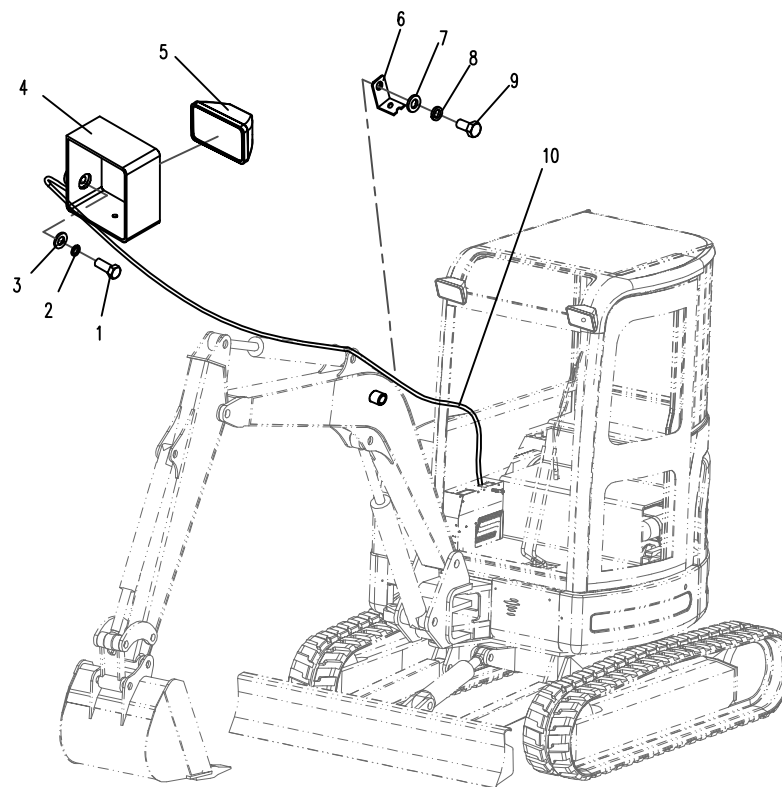
12.7.1 燃油系统(适用83504机型) FUEL SYSTEM (APPLY TO 83504 TYPE)



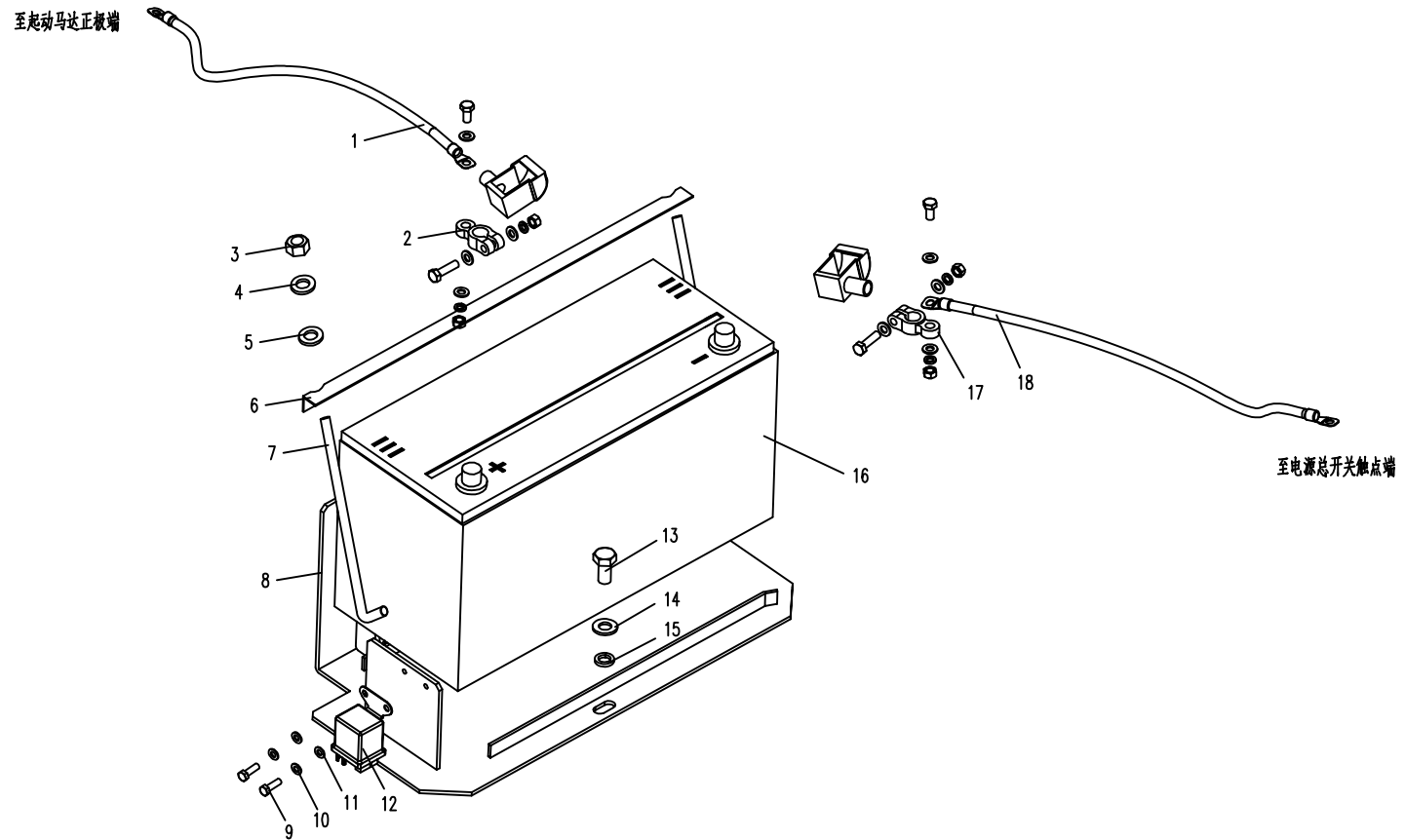
12.8.1 发动机总成(适用83504机型) ENGINE ASSEMBLY(APPLY TO 83504 TYPE)



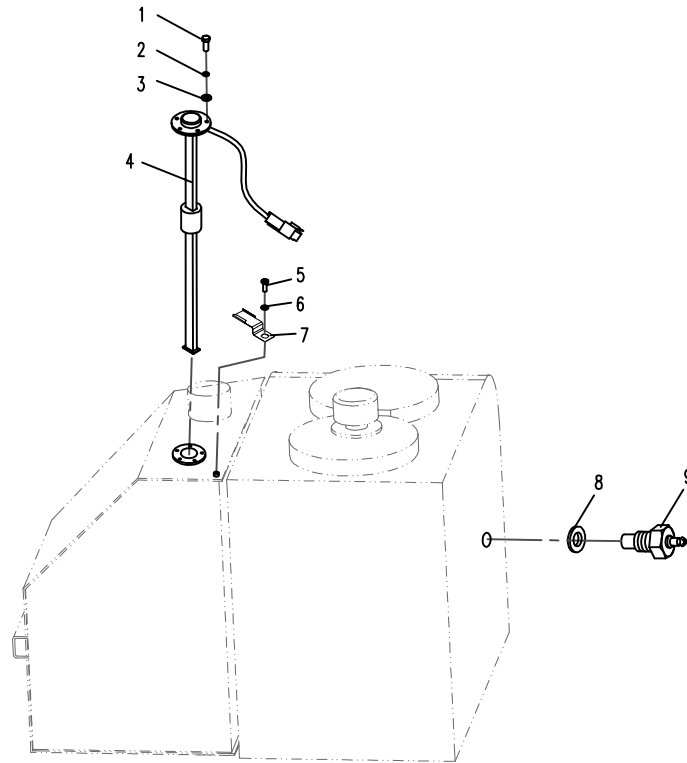
13.1.1 动臂灯安装(适用83504机型) ARM LAMP ASSEMBLY (APPLY TO 83504TYPE)



13.2.1 蓄电池安装总成(适用83504机型) BATTERY ASSEMBLY (APPLY TO 83504TYPE)



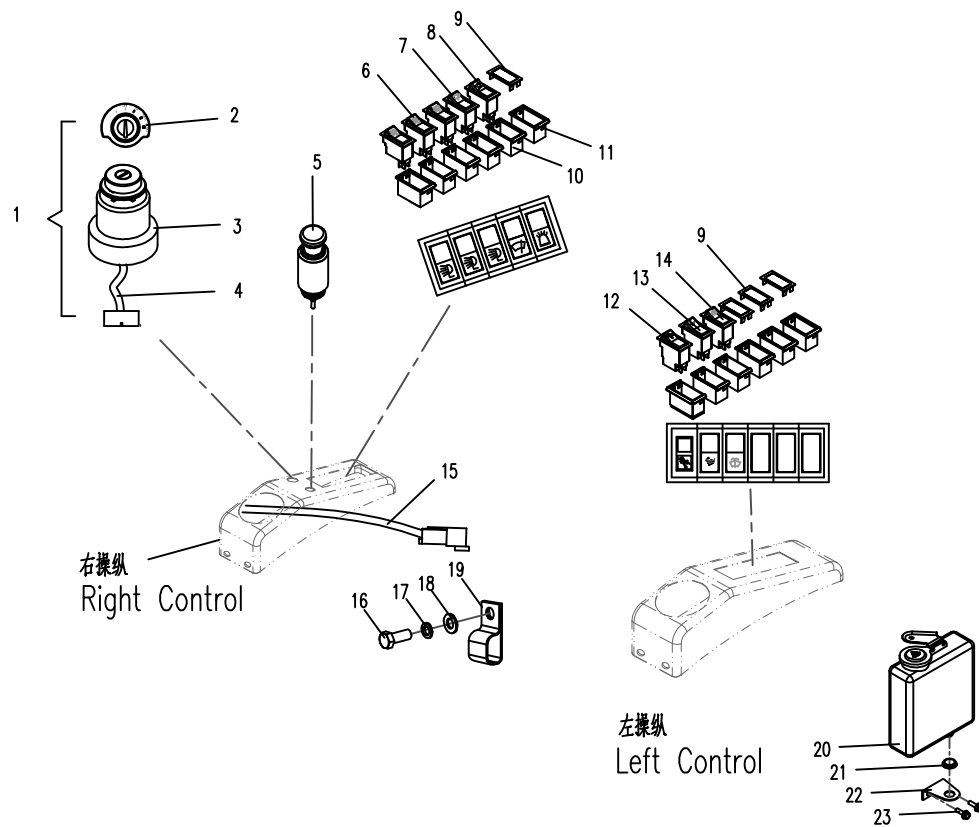
13.4.1 油箱电器总成(适用83504机型) ELECTRICAL ASSEMBLY FOR TANK (APPLY TO 83504 TYPE)



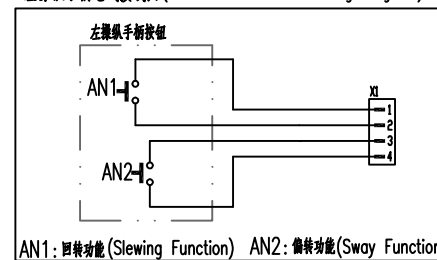
13.5.1 操纵台电器总成(适用83504机型) ELECTRICAL ASSEMBLY FOR CONTROL(APPLY TO 83504 TYPE)

序号 No.	数量 Quantity	代号 Code	名称 Description		备注 Remark
1	1	838A-1302000	起动开关总成	Switch assembly	
2	1	810H-1300101	起动开关标牌	Scutcheon	
3	1	T0401-04401	五位钥匙开关	Start key switch	
4	1	838A-1302100	起动开关线束	Wiring harness	(12V)
5	1	T0408-01111	点烟器	Cigarette lighter	
6	3	T0401-03201	工作灯开关	Work lamp Switch	
7	1	T0401-03202	雨刮开关	Wiper Switch	
8	1	T0401-03205	警示灯开关	Alarm lamp switch	
9	4	T0401-03303	盖板	Cover plate	
10	8	T0401-03302	中间单框架	Middle Single Frame	
11	4	T0401-03301	侧边单框架	Side Single Frame	
12	1	T0405-07201	偏转指示灯	Indicator light of swing	
13	1	T0401-03210	高速行驶开关	Tread speed switch	
14	1	T0401-03209	风窗洗涤开关	Air window washing switch	
15	1	835-1344100	操纵台线束	Control desk wiring harness	
16	1	M10×16 GB/T5783	六角头螺栓	Bolt	8.8 Zn.D
17	1	10 GB/T93	弹簧垫圈	Spring washer	Zn.D
18	1	10 GB/T97.1	平垫圈	Washer	Zn.D
19	1	T0416-06012	线夹	Wire clip	
20	1	T0406-01113	洗涤器	Syringe	随驾驶室配
21	1	835-0700028	橡胶垫	Rubber pad	
22	1	835-0700029	支板	Support plate	
23	2	M6×12 GB/T5789	六角法兰面螺栓	Bolt	

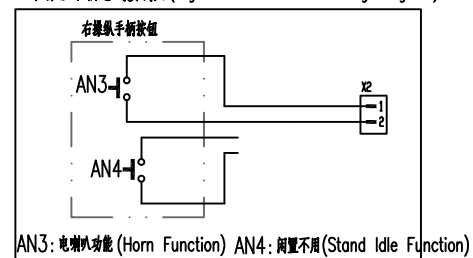
13.5.1 操纵台电器总成(适用83504机型) ELECTRICAL ASSEMBLY FOR CONTROL(APPLY TO 83504 TYPE)



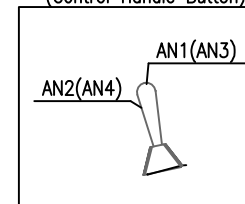
左操纵手柄电气接线图(Left Control Handle Wiring Diagram)



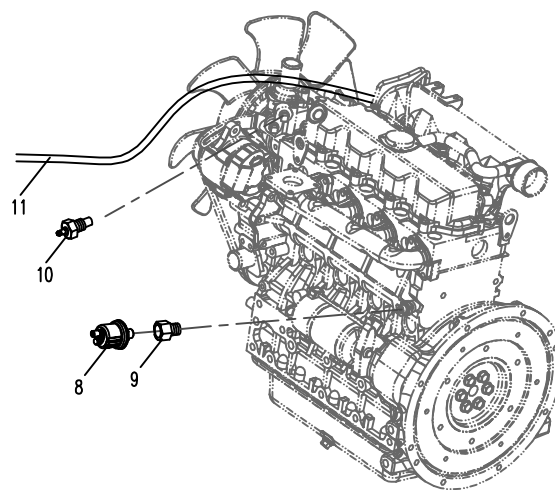
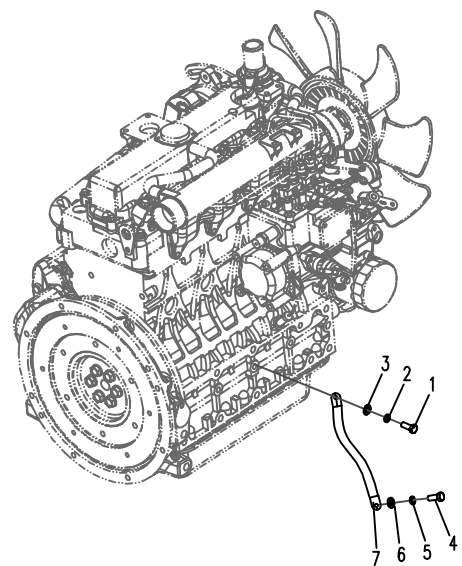
右操纵手柄电气接线图(Right Control Handle Wiring Diagram)



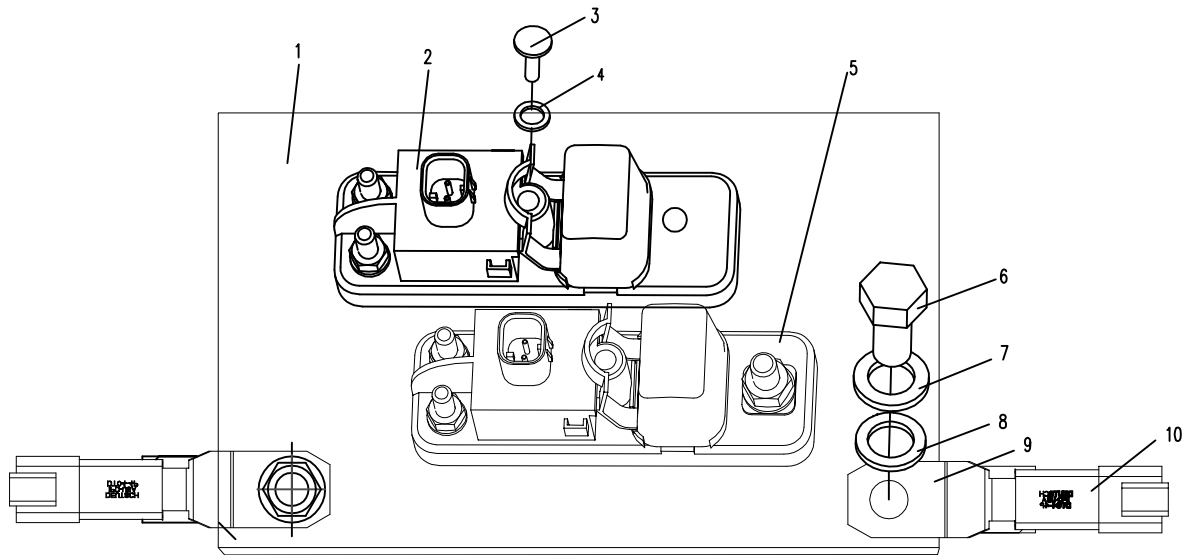
操纵手柄按钮位置图
(Control Handle Button)



13.6.1 发电机电器总成(适用83504机型) ELECTRICAL ASSEMBLY FOR ENGINE(APPLY TO 83504 TYPE)



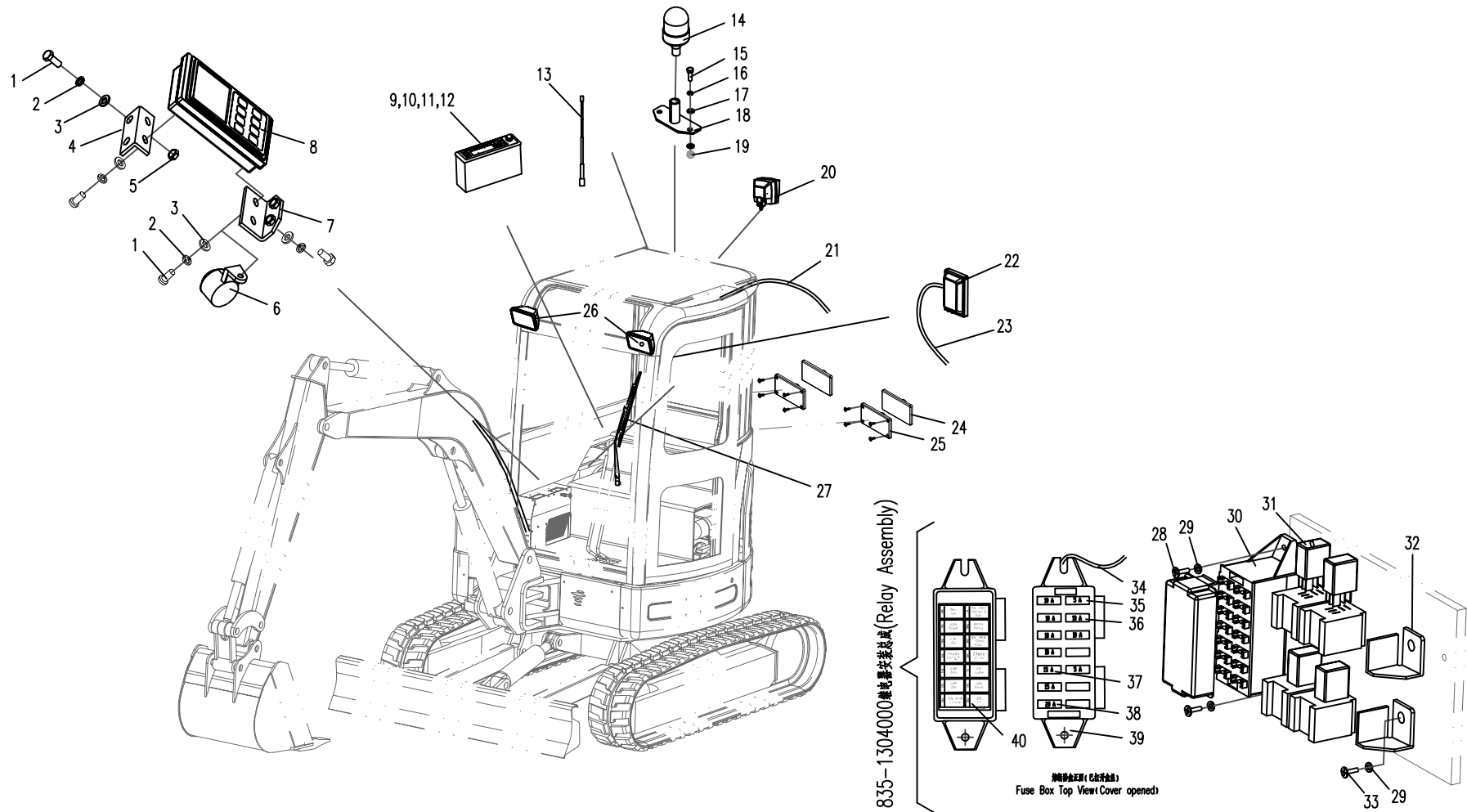
13.7.1 启动继电器安装总成(适用83504机型) STARTER RELAY ASSMBLY (APLLY TO 83504 TYPE)



13.8.1 驾驶室电器总成(适用83504机型) ELECTRICAL ASSEMBLY FOR CAB (APPLY TO 83504 TYPE)

序号 No.	数量 Quantity	代号 Code	名称 Description		备注 Remark
1	8	M6×16 GB/T818	六角头螺栓	Bolt	
2	8	6 GB/T93	弹簧垫圈	Spring washer	Zn.D
3	8	6 GB/T97.1	平垫圈	Washer	Zn.D
4	1	830H-1300601	仪表安装板	Fixing plate	
5	2	M6 BG/T6170	I型六角螺母	Nut	
6	1	T0416-15101	蜂鸣器	Buzzer	12V
7	1	830H-1300610	仪表安装板II	Fixing plate II	
8	1	T0412-04212	小挖专用监控器	Monitor assembly	DC038D-H
9	1	T0409-01110	收音机	Radio	12V
10	4	M4×12 GB/T818	十字槽盘头螺钉	Bolt	8.8 Zn.D
11	4	4 GB/T93	弹簧垫圈	Spring washer	Zn.D
12	4	4 GB/T97.1	平垫圈	Washer	Zn.D
13	1	T0409-02101	收音机天线	Radiogram antenna	
14	1	BY-12932	警示灯	Caution light	
15	2	M8×20 GB/T5783	六角头螺栓	Bolt	8.8 Zn.D
16	2	8 GB/T93	弹簧垫圈	Spring washer	Zn. D
17	2	8 GB/T97.1	平垫圈	Washer	Zn. D
18	1	2014-YYK0129-0001	警示灯支架	Caution light bracket	
19	2	M8 GB/T6170	1型六角螺母	Nut	8-Zn.D
20	1	BY-13209	工作灯	Work lamp	
21	1	835-1330400	驾驶室线束	CAB wiring harness	
22	1	T0405-13211	顶灯	Top lamp	12V (随驾驶室供)
23	1	835-1311010	驾驶室灯线束	CAB lamp wiring harness	
24	2	T0409-15101	扬声器	Speaker	
25	2	T0409-06203	扬声器盖	Speaker Cover	
26	2	BY-13217	工作灯	Work lamp	
27	1	T0406-12111	雨刮器	Wiper	12V (随驾驶室供)
28	2	M5×16 GB/T818	十字槽盘头螺钉	Bolt	8.8 Zn.D

13.8.1 驾驶室电器总成(适用83504机型) ELECTRICAL ASSEMBLY FOR CAB (APPLY TO 83504 TYPE)



13.9.1 电气接线图(适用83504机型) ELECTRICAL SYSTEM WIRING DIAGRAM(APLLY TO 83504 TYPE)

