

目录 (INDEX)

01.1.1	底盘总成 (适用825E01,825E02机型)	CHASSIS ASSEMBLY (APPLY TO 825E01,825E02 TYPE)
02.1.1	回转平台(适用825E01,825E02机型)	SLEWING PLATFORM (APPLY TO 825E01,825E02 TYPE)
03.1.1	推土装置 (适用825E01,825E02机型)	DOZER EQUIPMENT (APPLY TO 825E01,825E02 TYPE)
04.1.1	动臂安装 (适用825E01,825E02机型)	BOOM ASSEMBLY (APPLY TO 825E01,825E02 TYPE)
04.2.1	斗杆-连杆安装 (适用825E01,825E02机型)	ARM-CONNECTING ASSEMBLY (APPLY TO 825E01,825E02 TYPE)
04.3.1	铲斗安装 (适用825E01,825E02机型)	BUCKET ASSEMBLY (APPLY TO 825E01,825E02 TYPE)
04.4.1	连杆组件 (适用825E01,825E02机型)	CONNECTING ROD ASSEMBLY (APPLY TO 825E01,825E02 TYPE)
04.5.1	斗杆组件 (适用825E01,825E02机型)	ARM ASSEMBLY (APPLY TO 825E01,825E02 TYPE)
05.1.1	油箱总成 (适用825E01,825E02机型)	TANK ASSEMBLY (APPLY TO 825E01,825E02 TYPE)
05.2.1	主液压系统-供油 (适用825E01,825E02机型)	MAIN HYDRAULIC SYSTEM—HYDRAULIC OIL SUPPLY(APPLY TO 825E01,825E02 TYPE)
05.3.1	主液压系统-回油(适用825E01,825E02机型)	MAIN HYDRAULIC SYSTEM-OIL RETURN (APPLY TO 825E01,825E02 TYPE)
05.4.1	主液压系统-中央接头及推土阀(适用825E01,825E02机型)	MAIN HYDRAULIC SYSTEM-CENTRE JOINT AND DOZER VALVE(APPLY TO 825E01,825E02 TYPE)
05.5.1	主液压系统-回转马达(适用825E01,825E02机型)	MAIN HYDRAULIC SYSTEM - SLEWING MOTOR (APPLY TO 825E01,825E02 TYPE)
05.6.1	主液压系统-多路阀(适用825E01,825E02机型)	MAIN HYDRAULIC SYSTEM - MULTIPLE-WAY VALVE (APPLY TO 825E01,825E02 TYPE)
05.7.1	中央回转接头(适用825E01,825E02机型)	CENTRE SLEWING JOINT (APPLY TO 825E01,825E02 TYPE)
65.1.1	附属装置液压系统1(适用825E01,825E02机型)	AUXILIARY EQUIPMENT HYDRAULIC SYSTEM 1 (APPLY TO 825E01,825E02 TYPE)
65.2.1	附属装置液压系统1(适用825E01,825E02机型)	AUXILIARY EQUIPMENT HYDRAULIC SYSTEM 2 (APPLY TO 825E01,825E02 TYPE)
75.1.1	底盘部分的液压系统-行走(适用825E01,825E02机型)	HYDRAULIC SYSTEM FOR CHASSIS - TRAVELING (APPLY TO 825E01,825E02 TYPE)
75.2.1	底盘部分的液压系统-推土(适用82E01,825E02机型)	HYDRAULIC SYSTEM FOR CHASSIS - BULLDOZE (APPLY TO 825E01,825E02 TYPE)
85.1.1	先导控制液压系统-供油 (适用825E01,825E02机型)	PILOT EQUIPMENT HYDRAULIC SYSTEM -OIL SUPPLY (APPLY TO 825E01,825E02 TYPE)
85.2.1	先导控制液压系统总成 (适用825E01,825E02机型)	PILOT EQUIPMENT HYDRAULIC SYSTEM ASSEMBLY (APPLY TO 825E01,825E02 TYPE)
85.3.1	先导部分液压系统-先导操纵(适用825E01,825E02机型)	HYDRAULIC SYSTEM FOR PILOT CONTROL(APPLY TO 825E01,825E02 TYPE)
95.1.1	工作装置液压系统(适用825E01,825E02机型)	HYDRAULIC SYSTEM FOR WORKING EQUIPMENT (APPLY TO 825E01,825E02 TYPE)
06.1.1	操纵机构(适用825E01,825E02机型)	CONTROL FRAMEWORK(APPLY TO 825E01,825E02 TYPE)
06.2.1	右操纵箱组件(适用825E01,825E02机型)	RIGHT MANIPULATE BOX SUBASSEMBLY (APPLY TO 825E01,825E02 TYPE)
06.3.1	左操纵箱组件(适用825E01,825E02机型)	LEFT MANIPULATE BOX SUBASSEMBLY (APPLY TO 825E01,825E02 TYPE)

目录 (INDEX)

06.4.1	阀罩组件(适用825E01,825E02 机型)	VALVE COVER SUBASSEMBLY(APPLY TO 825E01,825E02 TYPE)
06.5.1	座椅架(适用825E01,825E02机型)	SUPPORTING PLATE OF SEAT (APPLY TO 825E01,825E02 TYPE)
06.6.1	行走操纵(适用825E01,825E02机型)	HOOFF FRAMEWORK(APPLY TO 825E01,825E02 TYPE)
07.1.1	驾驶室组件1(适用825E01,825E02机型)	CAB SUBASSEMBLY 1 (APPLY TO 825E01,825E02 TYPE)
07.2.1	驾驶室组件2(适用825E01,825E02机型)	CAB SUBASSEMBLY 2 (APPLY TO 825E01,825E02 TYPE)
07.3.1	驾驶室门碰锁装置(适用825E01,825E02机型)	CAB SUBASSEMBLY 2 (APPLY TO 825E01,825E02 TYPE)
07.4.1	驾驶室组件门 (适用825E01,825E02机型)	CAB DOOR ASSEMBLY (APPLY TO 825E01,825E02 TYPE)
07.5.1	驾驶室翻转窗组件 (适用825E01,825E02机型)	CAB OVERTURN WINDOW ASSEMBLY (APPLY TO 825E01,825E02 TYPE)
07.6.1	驾驶室移动窗组件 (适用825E01,825E02机型)	CAB MOVING WINDOW SUBASSEMBLY (APPLY TO 825E01,825E02 TYPE)
07.7.1	驾驶室内饰总成 (适用825E01,825E02机型)	CAB INTERIOR DECORATIONS ASSEMBLY (APPLY TO 825E01,825E02 TYPE)
08.1.1	空调系统(适用825E01机型)	AIR-CONDITION SYSTEM(APLLY TO 825E01 TYPE)
08.1.2	空调系统(适用825E02机型)	AIR-CONDITION SYSTEM(APLLY TO 825E02 TYPE)
10.1.1	覆盖件总成 (适用825E01,825E02机型)	COVERING ASSEMBLY (APPLY TO 825E01,825E02 TYPE)
10.2.1	发动机罩(适用于825E01,825E02机型)	ENGINE HOOD (APPLY TO 8825E01,825E02 TYPE)
10.3.1	框架组件(适用于825E01,825E02机型)	FRAMEWORK SUBASSEMBLY (APPLY TO 8825E01,825E02 TYPE)
10.4.1	发动机罩锁装置(适用于825E01,825E02 机型)	ENGINE HOOD LOCK EQUIPMENT (APPLY TO 825E01,825E02 TYPE)
11.1.1	回转支承 (适用825E01,825E02机型)	SLEWING SUPPORT (APPLY TO 825E01,825E02 TYPE)
12.1.1	冷却系统(适用825E01机型)	COOLING SYSTEM (APPLY TO 825E01 TYPE)
12.1.2	冷却系统(适用825E02机型)	COOLING SYSTEM (APPLY TO 825E02 TYPE)
12.2.1	进气系统 (适用825E01机型)	AIR INLET SYSTEM (APPLY TO 825E01 TYPE)
12.2.2	进气系统 (适用825E02机型)	AIR INLET SYSTEM (APPLY TO 825E02 TYPE)
12.3.1	排气系统(适用825E01机型)	EXHAUST SYSTEM (APPLY TO 825E01 TYPE)
12.3.2	排气系统(适用825E02机型)	EXHAUST SYSTEM (APPLY TO 825E02 TYPE)
12.4.1	动力输出系统(适825E01机型)	POWER OUTPUT SYSTEM (APPLY TO 825E01 TYPE)
12.4.2	动力输出系统(适825E02机型)	POWER OUTPUT SYSTEM (APPLY TO 825E02 TYPE)
12.5.1	支承及空调压缩机系统(适用825E01机型)	SUPPORT AND AIR-CONDITIONED COMPRESSOR SYSTEM (APPLY TO 825E01 TYPE)

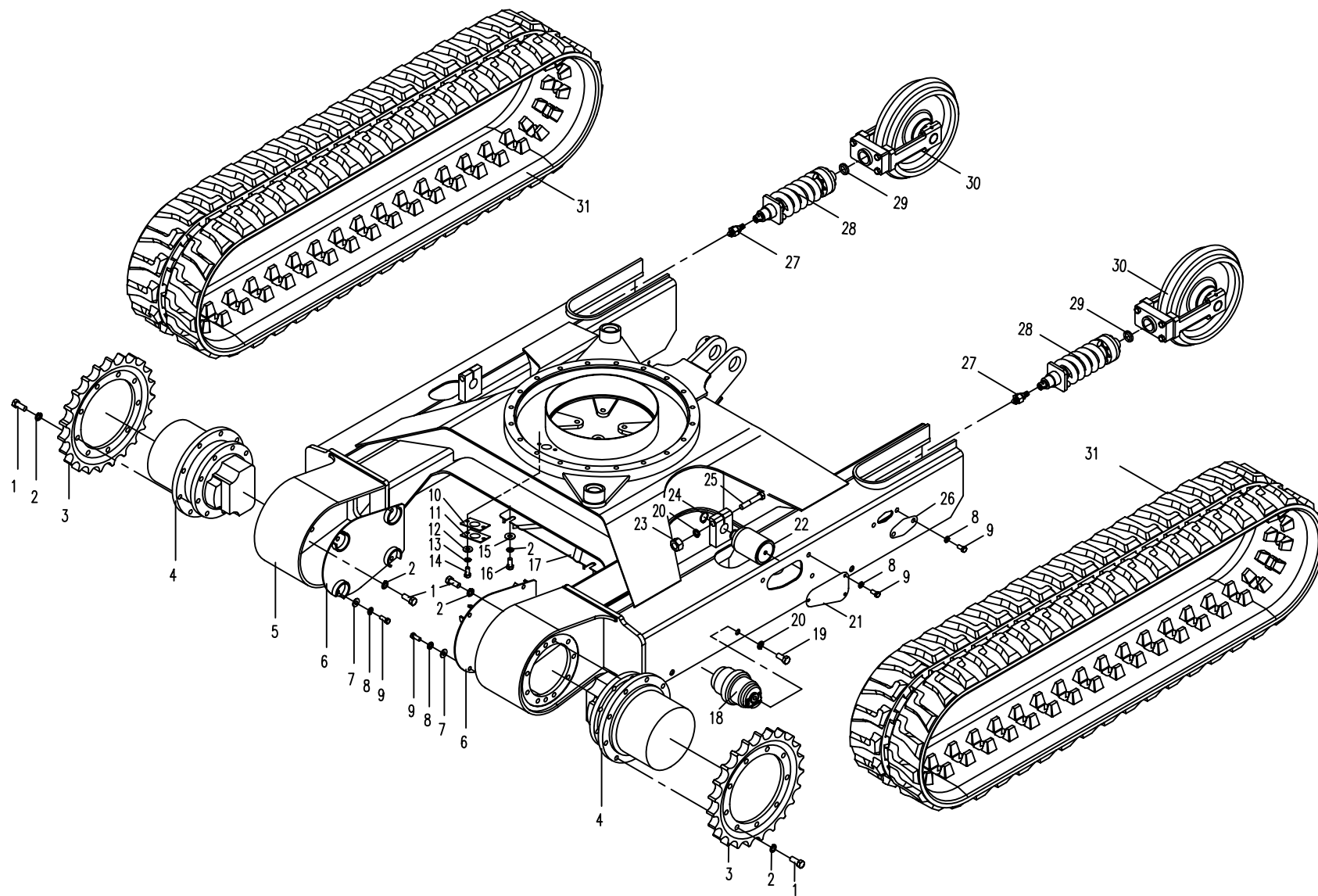
目录 (INDEX)

12.5.2	支承及空调压缩机系统(适用825E02机型)	SUPPORT AND AIR-CONDITIONED COMPRESSOR SYSTEM (APPLY TO 825E02 TYPE)
12.6.1	燃油系统(适用825E01机型)	FUEL SYSTEM (APPLY TO 825E01 TYPE)
12.6.2	燃油系统(适用825E02机型)	FUEL SYSTEM (APPLY TO 825E02 TYPE)
12.7.1	油门操纵系统(适用825E01机型)	THROTTLE CONTROL SYSTEM (APPLY TO 825E01 TYPE)
12.7.2	油门操纵系统(适用825E02机型)	THROTTLE CONTROL SYSTEM (APPLY TO 825E02 TYPE)
12.8.1	发动机备件 (适用825E01机型)	ENGINE SPARE PART (APPLY TO 825E01 TYPE)
12.8.2	发动机备件 (适用825E02机型)	ENGINE SPARE PART (APPLY TO 825E02 TYPE)
13.1.1	动臂灯安装(适用825E01,825E02机型)	BOOM LAMP ASSEMBLY (APPLY TO 825E01,825E02 TYPE)
13.2.1	蓄电池安装总成(适用825E01,825E02机型)	BATTERY ASSEMBLY (APPLY TO 825E01 , 825E02 TYPE)
13.3.1	平台电器总成(适用825E01,825E02机型)	ELECTRICAL ASSEMBLY FOR PLATFORM (APPLY TO 825E01,825E02 TYPE)
13.4.1	油箱电器总成(适用825E01,825E02机型)	ELECTRICAL ASSEMBLY FOR TANK (APPLY TO 825E01,825E02 TYPE)
13.5.1	操纵台电器总成 (适用825E01,825E02机型)	ELECTRICAL ASSEMBLY FOR CONTROL (APPLY TO 825E01,825E02 TYPE)
13.6.1	发动机电器总成(适用825E01机型)	ELECTRICAL ASSEMBLY FOR ENGINE(APPLY TO 825E01 TYPE)
13.6.2	发动机电器总成(适用825E02机型)	ELECTRICAL ASSEMBLY FOR ENGINE(APPLY TO 825E02 TYPE)
13.7.1	驾驶室电器总成(适用825E01,825E02机型)	ELECTRICAL ASSEMBLY FOR CAB(APPLY TO 825E01,825E02 TYPE)
13.8.1	电气系统 接线图 (适用825E01机型)	ELECTRICAL SYSTEM WIRING DIAGRAM (APPLY TO 825E01 TYPE)
13.8.2	电气系统 接线图 (适用825E02机型)	ELECTRICAL SYSTEM WIRING DIAGRAM (APPLY TO 825E02 TYPE)

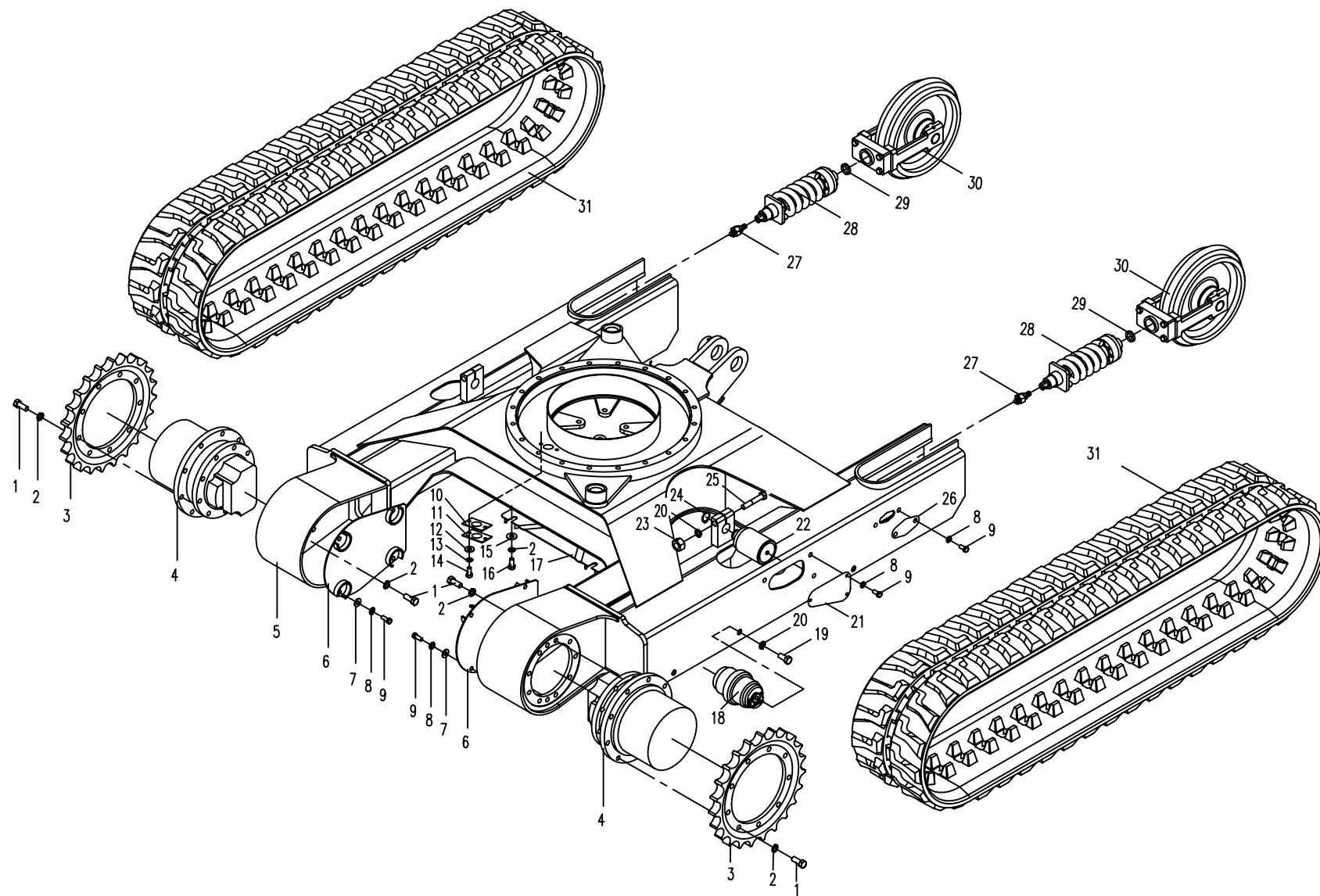
01.1.1 底盘总成 (适用825E01,825E02机型) CHASSIS ASSEMBLY (APPLY TO 825E01,825E02 TYPE)

序号 No.	数量 Quantity	代号 Code	名称 Description		备注 Remark
1	40	M12×30 GB/T5783	六角头螺栓	Bolt	10.9-达克罗
2	44	12 GB/T93	弹簧垫圈	Spring washer	Zn.D
3	2	828-0100001	驱动轮	Driving wheel	
4	2	825-7501000	行走马达	Traveling motor	KYB, 液压部分
5	1	825-0101000	车架总成	Chassis assembly	
6	2	828-0108000	行走马达盖板	Traveling motor's cover plate	
7	8	10 GB/T97.1	平垫圈	Washer	Zn.D
8	18	10 GB/T 93	弹簧垫圈	Spring washer	Zn.D
9	18	M10×20 GB/T5783	六角头螺栓	Bolt	8.8-Zn.D
10	1	825-0100002	密封垫	Packing gland	
11	1	825-0100001	油塞盖	Cover plate	
12	2	8 GB/T97.1	平垫圈	Washer	Zn.D
13	2	8 GB/T93	弹簧垫圈	Spring washer	Zn.D
14	2	M8×16 GB/T5783	六角头螺栓	Bolt	8.8-Zn.D
15	4	12 GB/T97.1	平垫圈	Washer	Zn.D
16	4	M12×25 GB/T5783	六角头螺栓	Bolt	8.8-Zn.D
17	1	828-0107000	底座盖板	Chassis cover plate	
18	6	820-0104000	支重轮总成	Idler assembly	
19	12	M14×30 GB/T5783	六角头螺栓	Bolt	10.9-达克罗
20	18	14 GB/T93	弹簧垫圈	Spring washer	Zn.D
21	2	820-0100004	侧盖板	Side cover plate	
22	2	820-0103000	托轮总成	Carrier rollers	
23	2	M14 GB/T6170	1型六角螺母	Nut	8-Zn.D
24	2	30 GB/T894.1	轴用弹性挡圈	Closing ring	Zn.D
25	2	M14×90 GB/T5784	六角头螺栓	Bolt	8.8-Zn.D
26	2	820-0109000	侧盖板	Side cover plate	
27	2	820-0102210	单向阀总成	Check valve assembly	
28	2	820-0102200	张紧装置	Tension equipment	

01.1.1 底盘总成(适用825E01,825E02机型) CHASSIS ASSEMBLY (APPLY TO 825E01,825E02 TYPE)



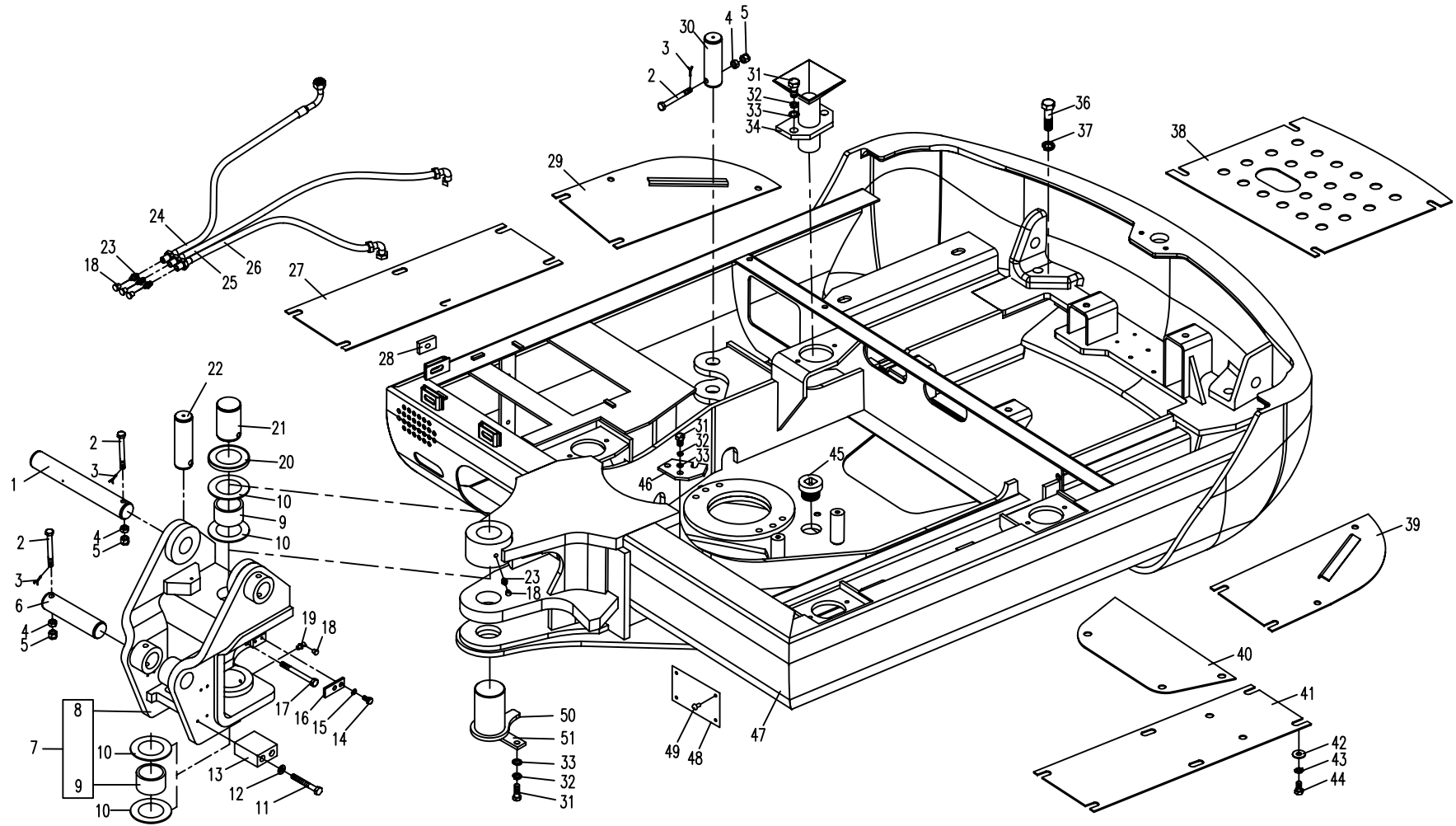
01.1.1 底盘总成(适用825E01,825E02机型) CHASSIS ASSEMBLY (APPLY TO 825E01,825E02 TYPE)



02.1.1 回转平台(适用825E01,825E02机型) SLEWING PLATFORM (APPLY TO 825E01,825E02 TYPE)

序号 No.	数量 Quantity	代号 Code	名称 Description		备注 Remark
1	1	828-0200001	动臂销轴	Shaft Pin	
2	4	M10×90 GB/T31.1	六角头螺杆带孔螺栓	Bolt	8.8-Zn.D
3	4	2×25 GB/T91	开口销	Cotter Pin	Zn.D
4	4	M10 GB/T6170	1型六角螺母	Nut	8-Zn.D
5	4	M10 GB/T6179	1型六角开槽螺母	Nut	8-Zn.D
6	1	828-0200006	动臂缸销轴	Shaft Pin	
7	1	828-0250000	转向头总成	Steering Head assembly	
8	2	828-0200004	衬套	Bush	
9	1	828-0201000	转向头	Steering Head	
10	适量	828-0200015	隔垫片	Washer	
11	2	M10×80 GB/T70.1	内六角圆柱头螺钉	Blot	8.8-Zn.D
12	2	10 GB/T93	弹簧垫圈	Spring Washer	Zn.D
13	1	820-0200011	限位块	Position block	
14	2	M8×16 GB/T5783	六角头螺栓	Blot	8.8-Zn.D
15	2	8 GB/T93	弹簧垫圈	Spring Washer	Zn.D
16	1	820-0200007	挡板	Locking board	
17	1	M10×100 GB/T5782	六角头螺栓	Blot	8.8-Zn.D
18	5	801-0400001	油杯盖	Grease Cup Cap	
19	1	M10×1 JB/T7940.2	接头式压注油杯	Grease Cup	Zn.D
20	1	828-0200002	承重垫圈	Washer	
21	1	828-0200003	上销轴	Shaft Pin	
22	1	828-0200012A	偏转缸前销轴	Shaft Pin	
23	4	M10×1 JB/T7940.1	直通式压注油杯	Grease Cup	Zn.D
24	1	820-0205000	偏转缸油管	Rubber Pipe Assembly	
25	1	820-0206000	滚道注油管	Rubber Pipe Assembly	
26	1	820-0207000	滚道注油管 □	Rubber Pipe Assembly □	
27	1	828-0200008	右前封底板	Right-front Cover Plate	
28	5	853D-0200012	螺母块	Screw Nut	

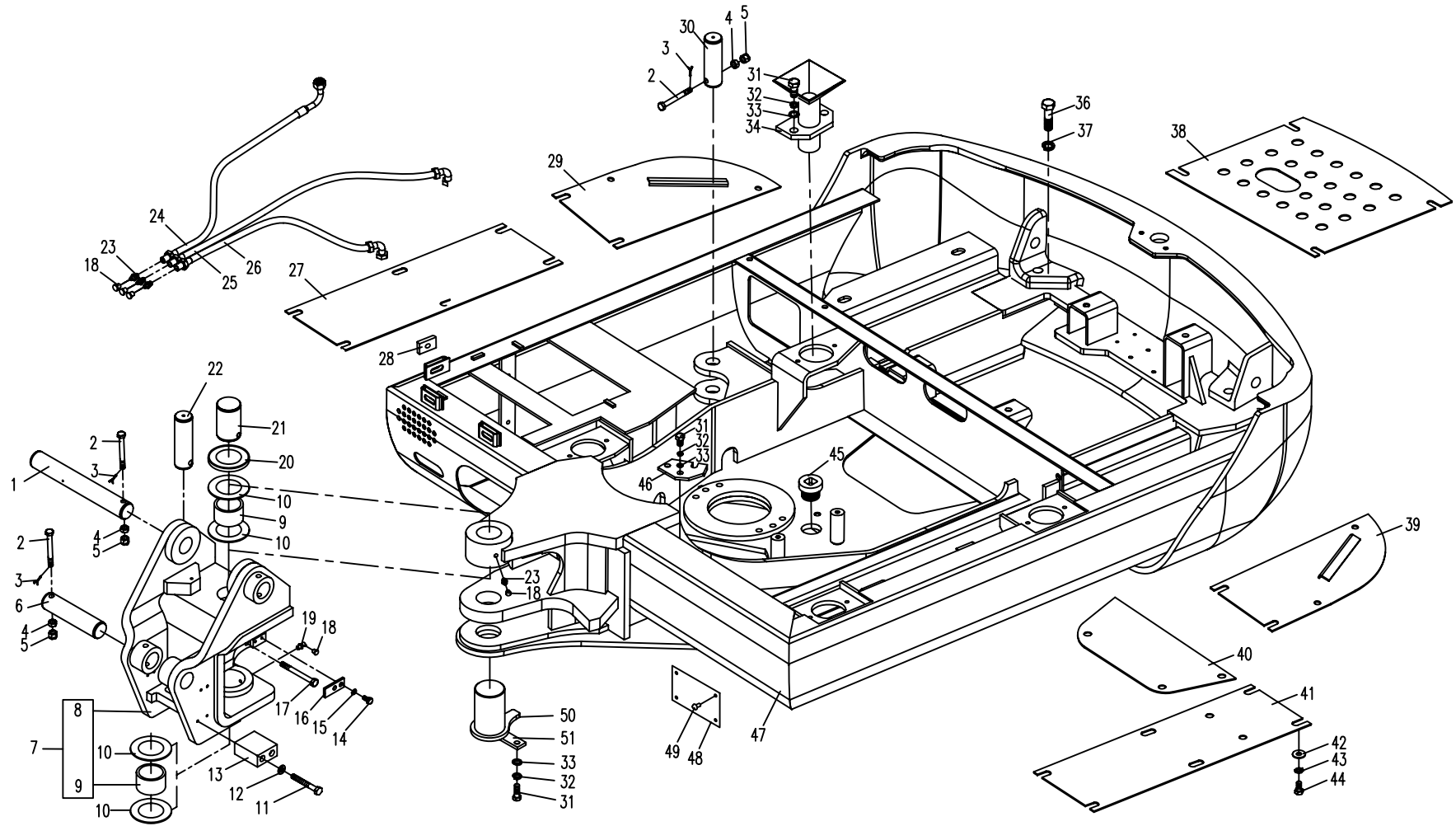
02.1.1 回转平台(适用825E01,825E02机型) SLEWING PLATFORM (APPLY TO 825E01,825E02 TYPE)



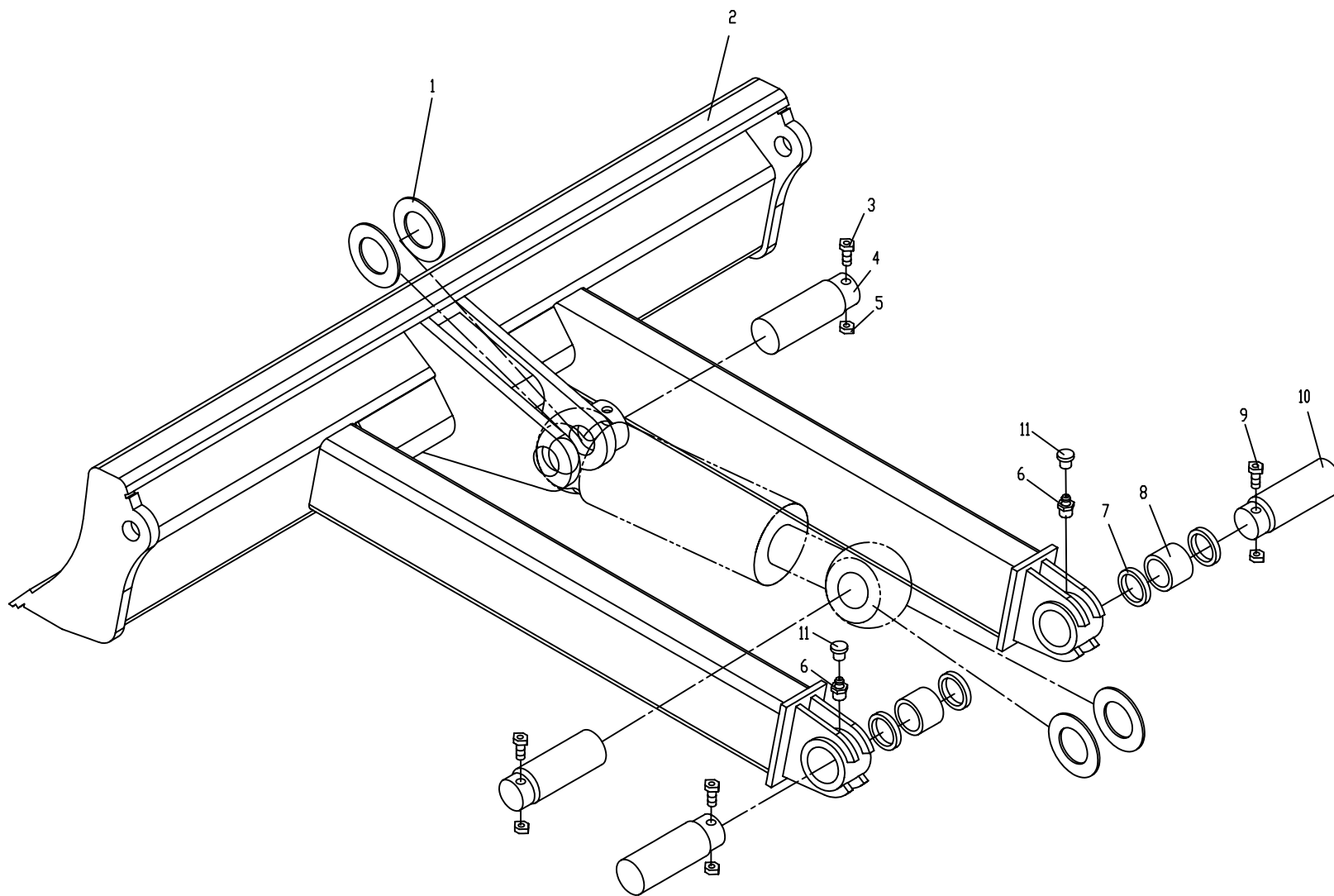
02.1.1 回转平台(适用825E01,825E02机型) SLEWING PLATFORM (APPLY TO 825E01,825E02 TYPE)

序号 No.	数量 Quantity	代号 Code	名称 Description		备注 Remark
29	1	828-0204000	右后封底板组件	Right-rear Cover Plate	
30	1	828-0200007	偏转缸后销轴	Shaft Pin	
31	6	M12×25 GB/T5783	六角头螺栓	Blot	8.8-Zn.D
32	6	12 GB/T93	弹簧垫圈	Spring Washer	Zn.D
33	6	12 GB/T97.1	平垫圈	Washer	Zn.D
34	1	820-0208000	漏斗	Filler	
35	1	825A-0200001A	平衡重	Counter Weight	
36	2	M16×60 GB/T5783	六角头螺栓	Blot	10.9-达克罗
37	2	850-0200019	厚垫圈	Thick Washer	
38	1	828-0200011	中封底板	Middle Cover Plate	
39	1	828-0205000	左后封底板组件	Left-rear Cover Plate	
40	1	825-0200001	底封板	Below Cover Plate	
41	1	828-0200014A	左前封底板	Left-front Cover Plate	
42	28	10 GB/T96	大垫圈	Biger Washer	Zn.D
43	28	10 GB/T93	弹簧垫圈	Spring Washer	Zn.D
44	28	M10×25 GB/T5783	六角头螺栓	Blot	8.8-Zn.D
45	1	820-0200013	螺塞	Screw Plug	
46	1	825-0200003	拨叉板	Locking-plate	
47	1	825E-0202000	平台	Platform	适用825E01机型
	1	825E-0222000	平台	Platform	适用825E02机型
48	1	T0802-01002	标牌(英文)	Scutcheon(English)	标配
	1	T0802-01003	标牌(法文)	Scutcheon(French)	选装
	1	T0802-01004	标牌(意大利文)	Scutcheon(Italy)	选装
49	4	4×12 GB/T12618	开口型扁圆头抽芯铆钉	Rivet	Zn.D
50	1	828-0203000	下销轴	Shaft Pin	
51	1	820-0200012	压板	Clamp Plate	

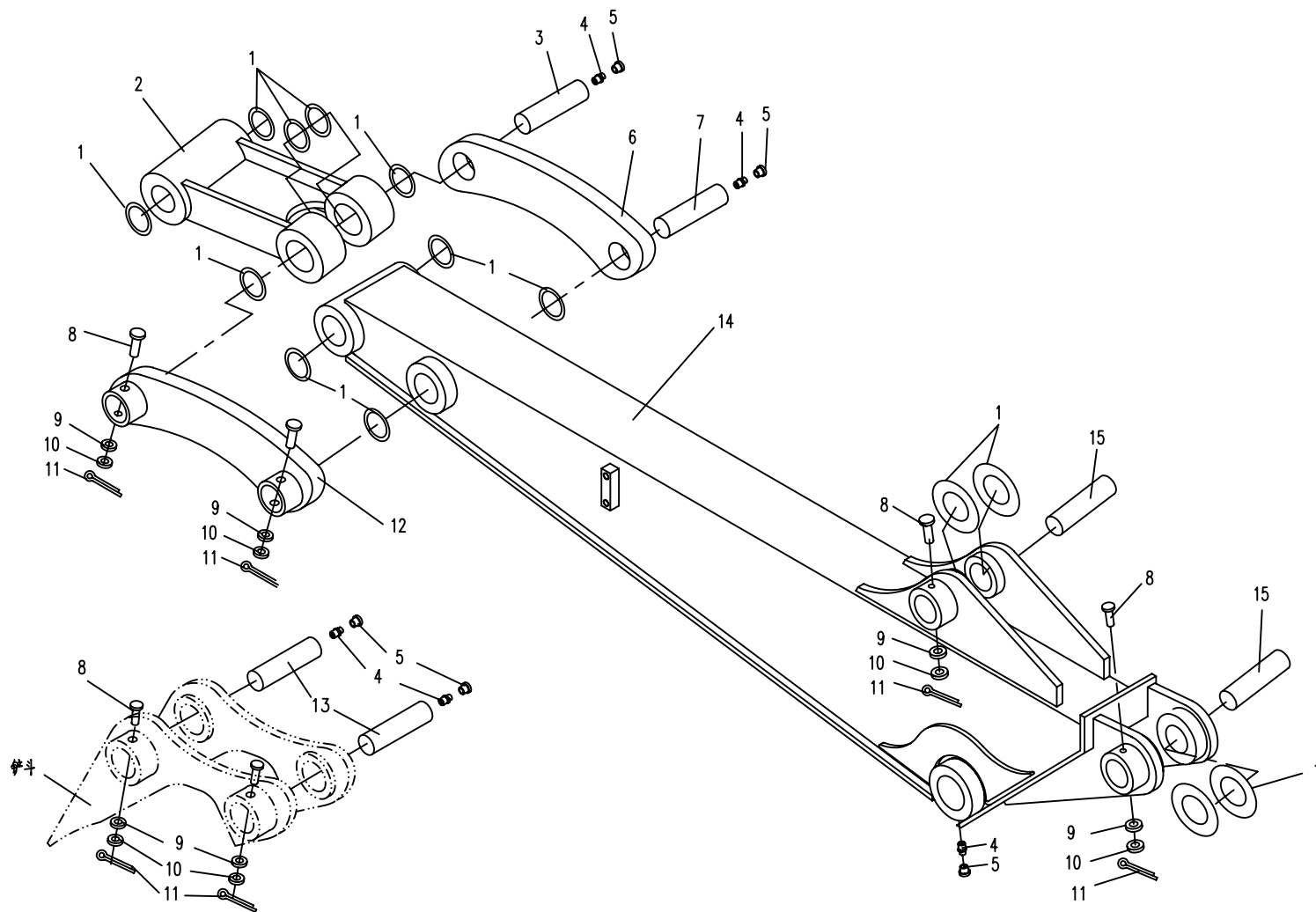
02.1.1 回转平台(适用825E01,825E02机型) SLEWING PLATFORM (APPLY TO 825E01,825E02 TYPE)



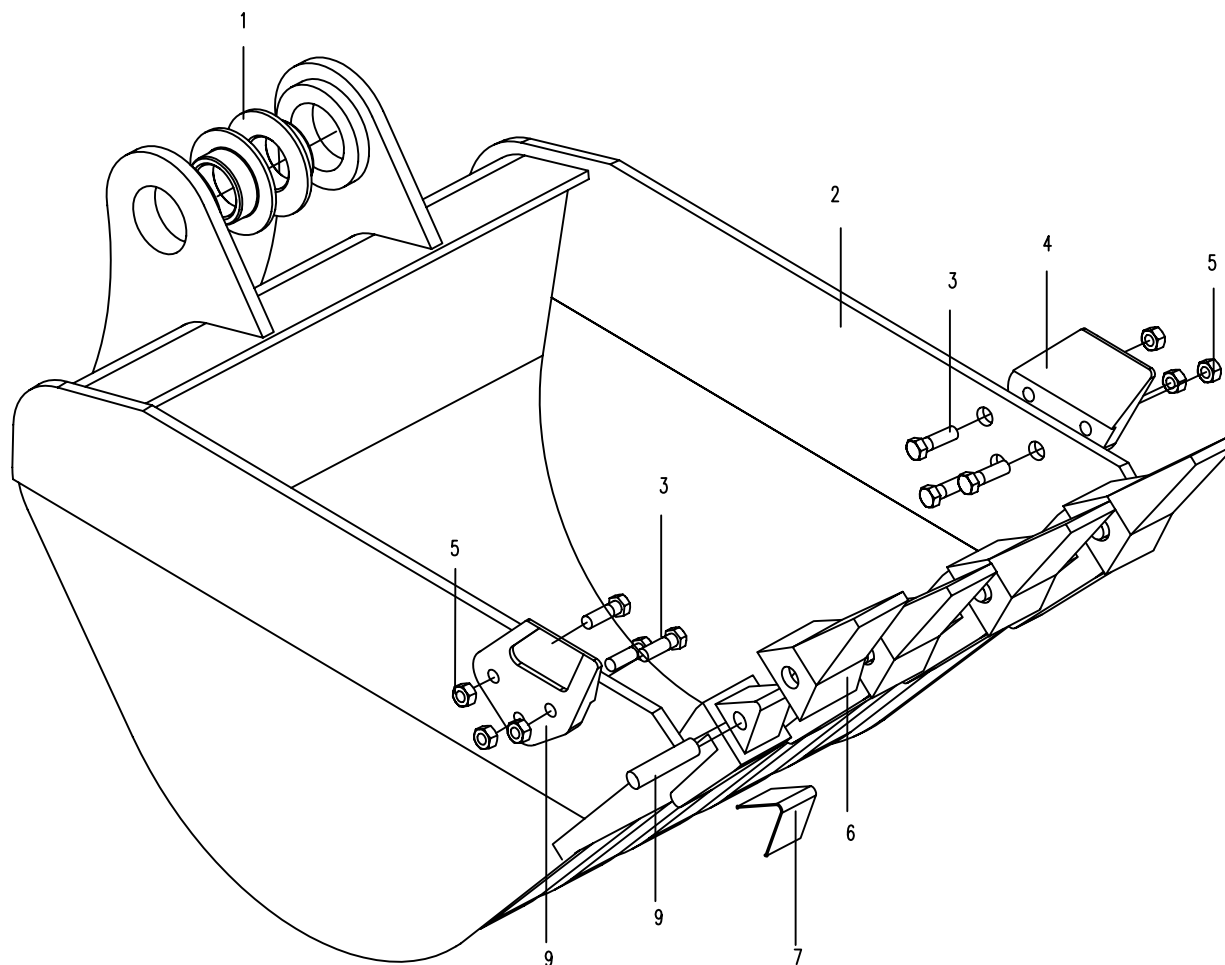
03.1.1 推土装置(适用825E01,825E02机型) DOZER EQUIPMENT (APPLY TO 825E01,825E02 TYPE)



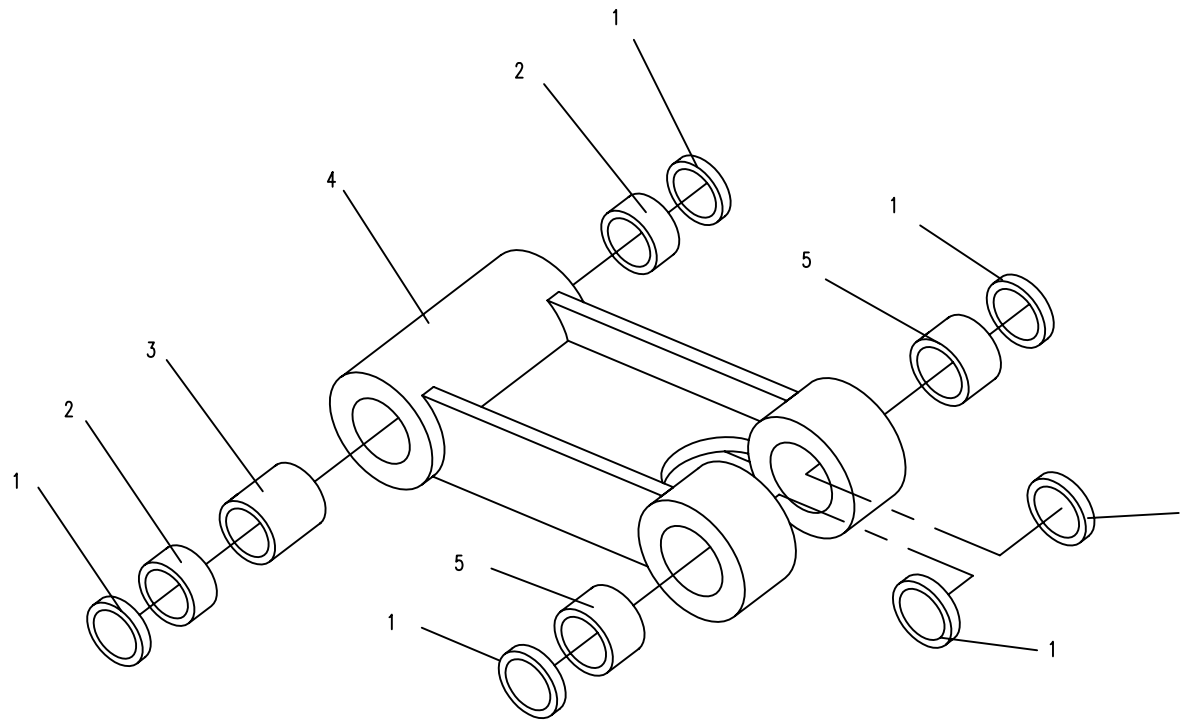
04.2.1 斗杆-连杆安装(适用825E01,825E02机型) ARM-CONNECTING ASSEMBLY (APPLY TO 825E01,825E02 TYPE)



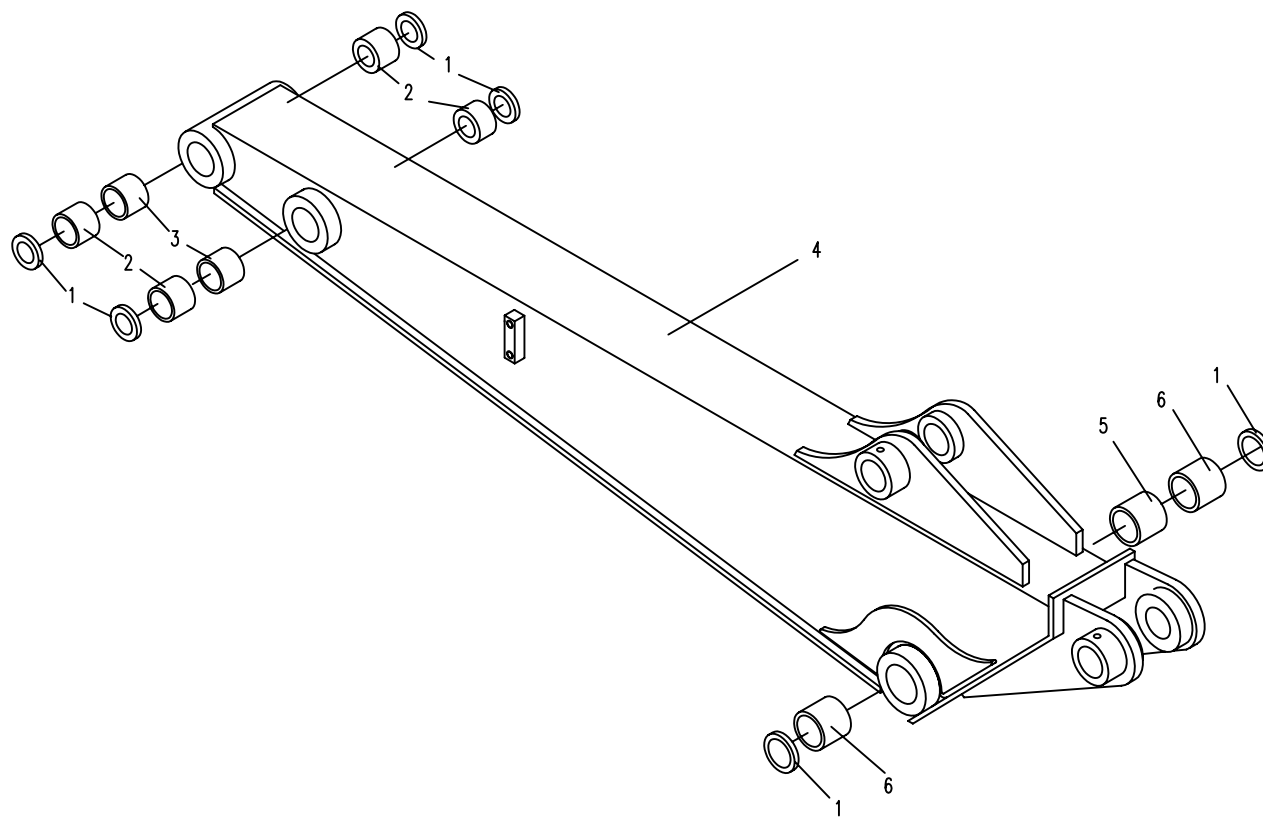
04.3.1 铲斗安装(适用825E01,825E02机型) BUCKET ASSEMBLY (APPLY TO 825E01,825E02 TYPE)



04.4.1 连杆组件(适用825E01,825E02机型) CONNECTING ROD ASSEMBLY (APPLY TO 825E01,825E02 TYPE)



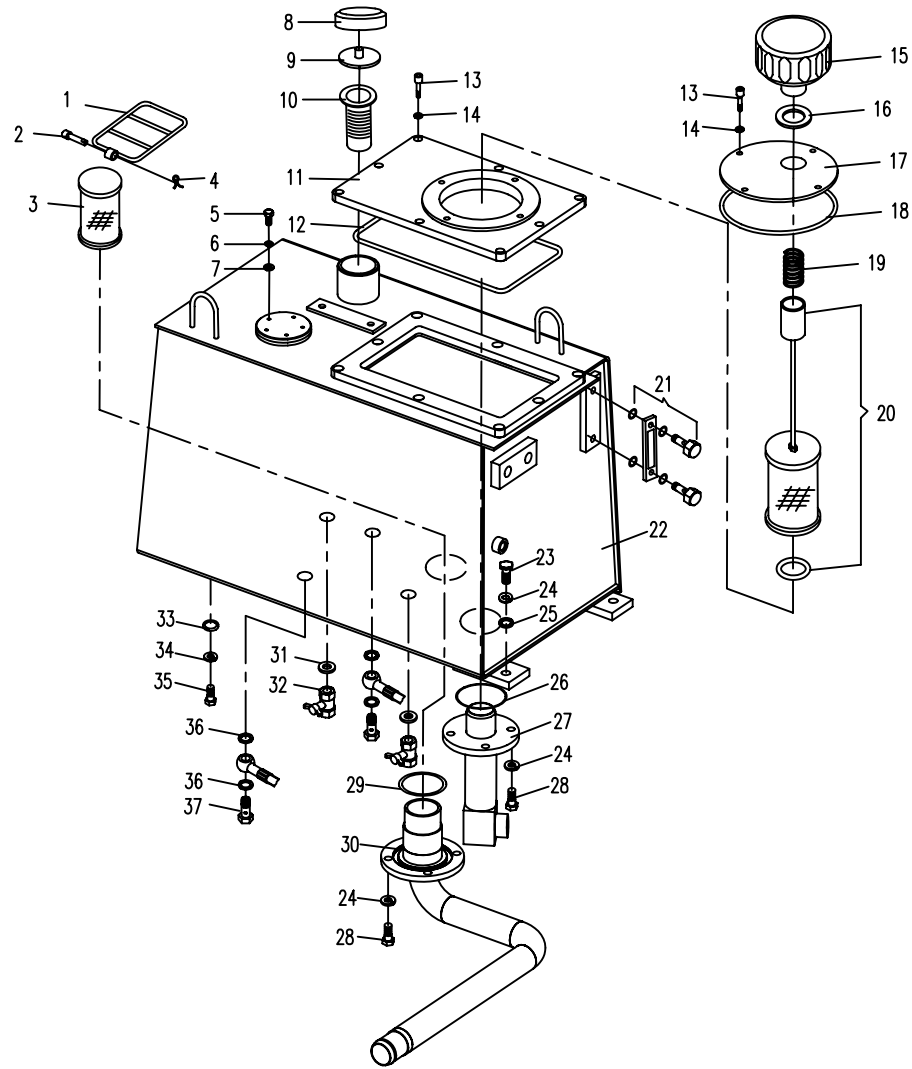
04.5.1 斗杆组件(适用825E01,825E02机型) ARM ASSEMBLY (APPLY TO 825E01,825E02 TYPE)



05.1.1 油箱总成 (适用825E01,825E02机型) TANK ASSEMBLY (APPLY TO 825E01,825E02 TYPE)

序号 No.	数量 Quantity	代号 Code	名称 Description		备注 Remark
1	1	830P-0501100	盖	Cover	
2	1	B8×26 GB/T882	销轴	Shaft pin	
3	1	820-0502400	吸油滤油器总成	Oil -intake flange assembly	
4	1	830D-0501006	弹性销	Cotter pin	
5	5	M5×16 GB/T5783	六角头螺栓	Bolt	8.8-Zn.D
6	5	5 GB/T 97.1	平垫圈	Washer	Zn.D
7	5	5 GB/T93	弹簧垫圈	Spring washer	Zn.D
8	1	801-1205002	注油口盖	Cover	
9	1	801-1205300	燃油箱补气阀	Air-filling valve	
10	1	801-1205400	滤网	Filter sieve	
11	1	825E-0505200	盖板总成	Cover assembly	
12	1	260×5.3 GB/T 3452.1 NBR-90	O形橡胶密封圈	“O”seal ring	
13	12	M8×16 GB/T70.1	内六角圆柱头螺钉	Bolt	8.8-Zn.D
14	12	8 GB/T93	弹簧垫圈	Spring washer	Zn.D
15	1	835-0501400	空气滤清器	Air cleaner	
16	1	27 BS/A 27.7X36X2 ISO	组合密封垫圈	Combinatory washer	
17	1	830P-0501500	法兰盖总成	Flange assembly	
18	1	132×2.65 GB/T 3452.1 NBR-90	O形橡胶密封圈	“O”seal ring	
19	1	820-0502002	弹簧	Spring	
20	1	825E-0505300	回油滤油器总成	Oil -return filter assembly	
21	1	835-0501001A	液位计总成	Liquidometer assembly	
22	1	825E-0505100	油箱体	Oil box body	
23	2	M10×30 GB/T5783	六角头螺栓	Bolt	8.8-Zn.D
24	10	10 GB/T93	弹簧垫圈	Spring washer	Zn.D
25	10	10 GB/T97.1	平垫圈	Washer	
26	1	60×5.3 GB/T3452.1 NBR-90	O形橡胶密封圈	“O”seal ring	
27	1	830H-0501200A	油箱入口法兰总成	Oil -return flange assembly	
28	8	M10×25 GB/T5783	六角头螺栓	Bolt	

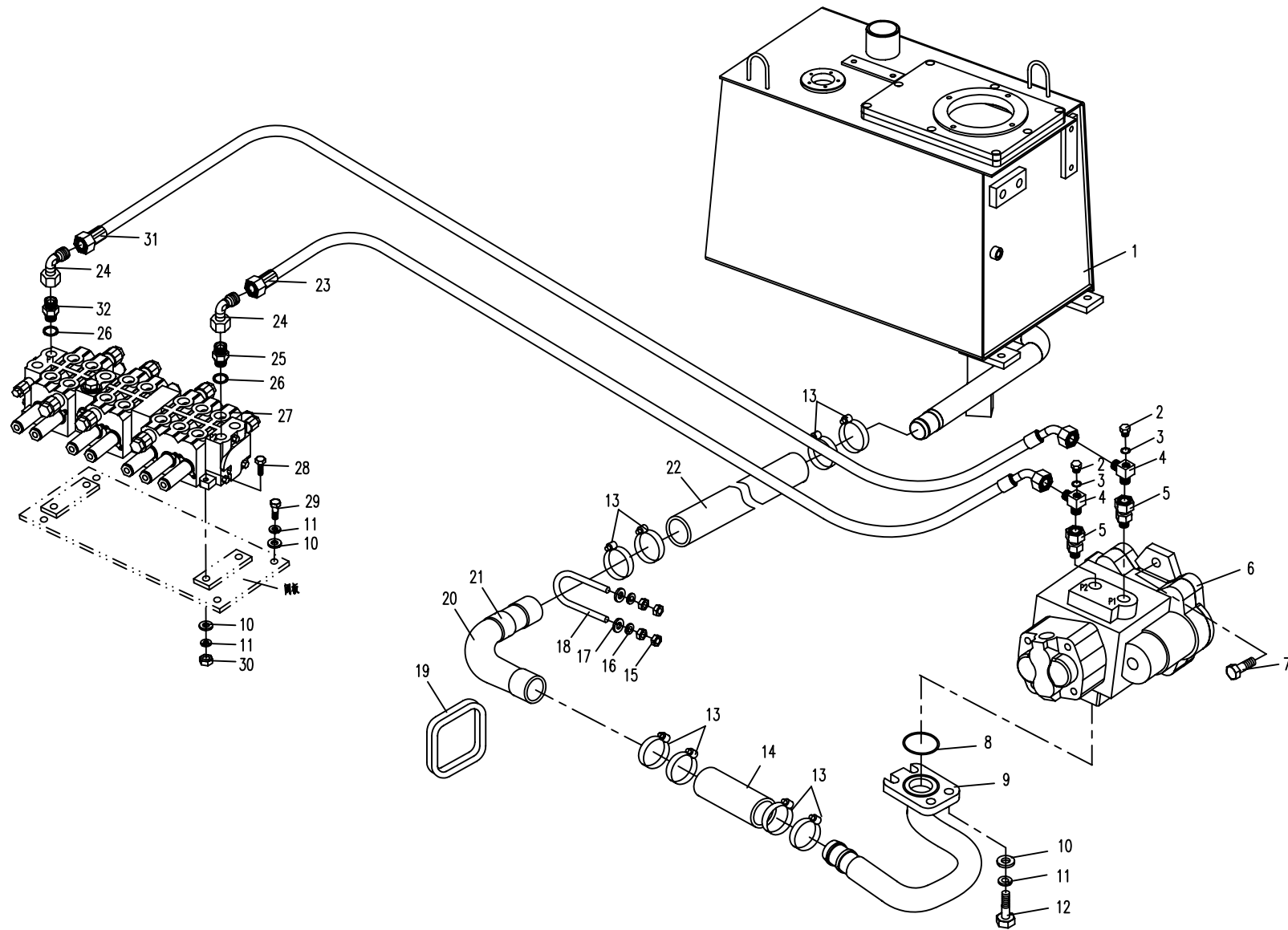
05.1.1 油箱总成(适用825E01,825E02机型) TANK ASSEMBLY (APPLY TO 825E01,825E02 TYPE)



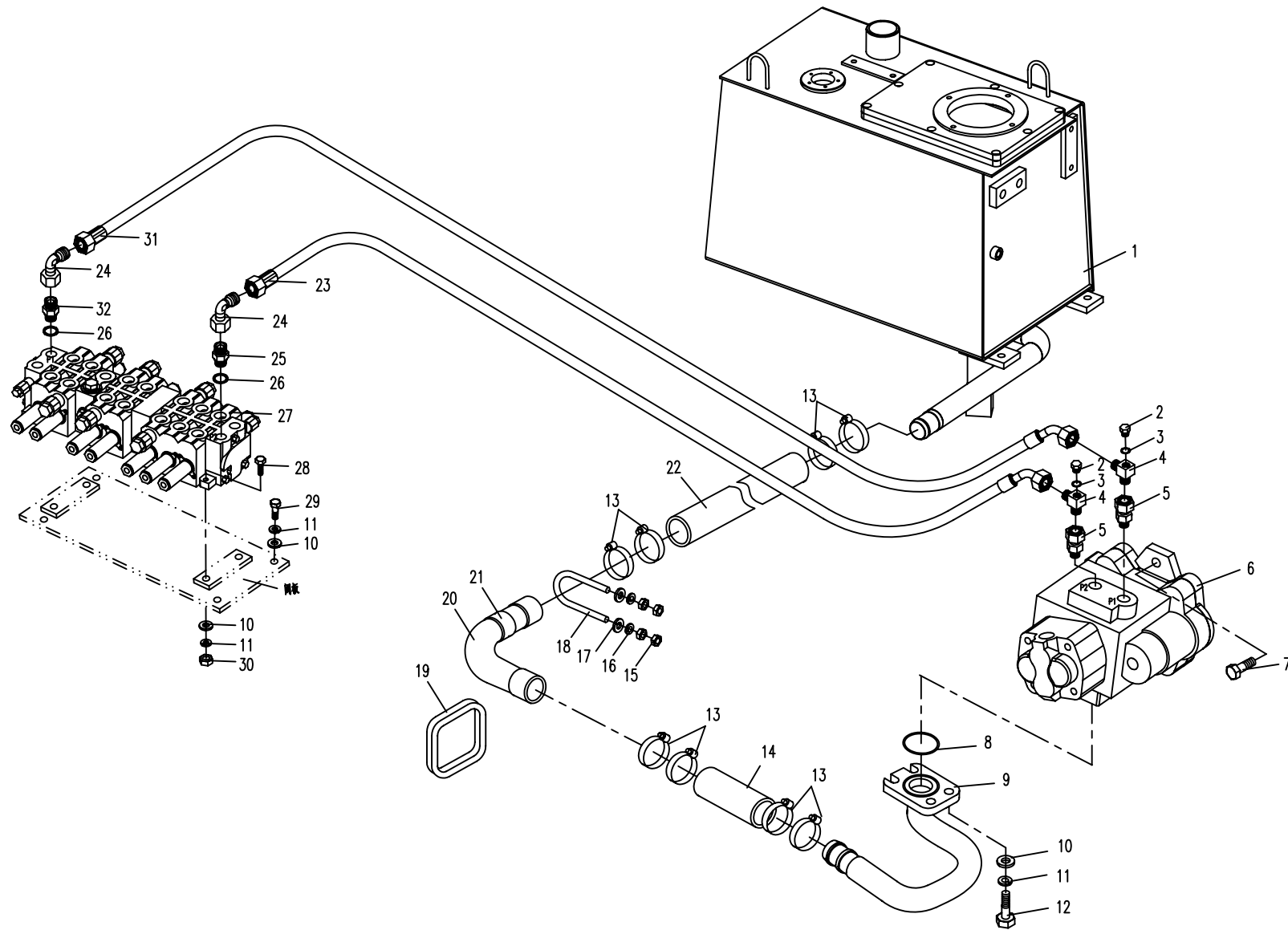
05.2.1 主液压系统-供油（适用825E01,825E02机型） MAIN HYDRAULIC SYSTEM-OIL SUPPLY(APPLY TO 825E01,825E02 TYPE)

序号 No.	数量 Quantity	代号 Code	名称 Description		备注 Remark
1	1	825E-0505000	液压油箱	Tank assembly	
2	2	820-0500004	螺塞	Screw plug	
3	2	10 BS/A10.7×16×1.5 ISO	组合密封垫圈	Combinatory washer	
4	2	828-0500007	带测压口接头	Joint	
5	2	825-0500005	内外螺纹直接头	Joint	
6	1	825-0509000	变量柱塞泵	Pump	
7	2	M12×30 GB/T5783	六角头螺栓	Bolt	10.9-达克罗
8	1	40.8×3.55 GB/T3452.1NBR-90	O形橡胶密封圈	"O" seal ring	
9	1	825-0513000	泵吸油口法兰	Pump oil intake flange	适用825E01
	1	825-0506000	泵吸油口法兰	Pump oil intake flange	适用825E02
10	20	10 GB/T97.1	平垫圈	Washer	Zn.D
11	20	10 GB/T93	弹簧垫圈	Spring washer	Zn.D
12	4	M10×30 GB/T70.1	内六角圆柱头螺钉	Bolt	8.8-Zn.D
13	8	d60 JB/T8870	喉箍	Hoop	
14	1	825-0500004	夹层输油胶管	Cloth fixing rubber pipe	
15	4	M8 GB/T6170	型六角螺母	Nut	8-Zn.D
16	2	8 GB/T93	弹簧垫圈	Spring washer	Zn.D
17	2	8 GB/T97.1	平垫圈	Washer	Zn.D
18	1	830H-0500033	管夹	Clamp	
19	1	825-0512000	吸油弯管	Vitta of syphon	
20	1	828-0500011	橡胶护套	Rubber sleeve	
21	1	828-0500016	橡胶垫	Rubber interlayer	
22	1	825-0500003A	夹层输油胶管	Cloth fixing rubber pipe	
23	1	828-0512000	胶管总成	Hose assembly	
24	2	830E-0500003	内外螺纹弯接头	Toggle joint	
25	1	820-0500009	直接头	Bolt joint	
26	1	22 BS/A 22.7×30×2 ISO	组合密封垫圈	Combinatory washer	
27	1	830D-0509000B	多路阀	Multiple-way valve	

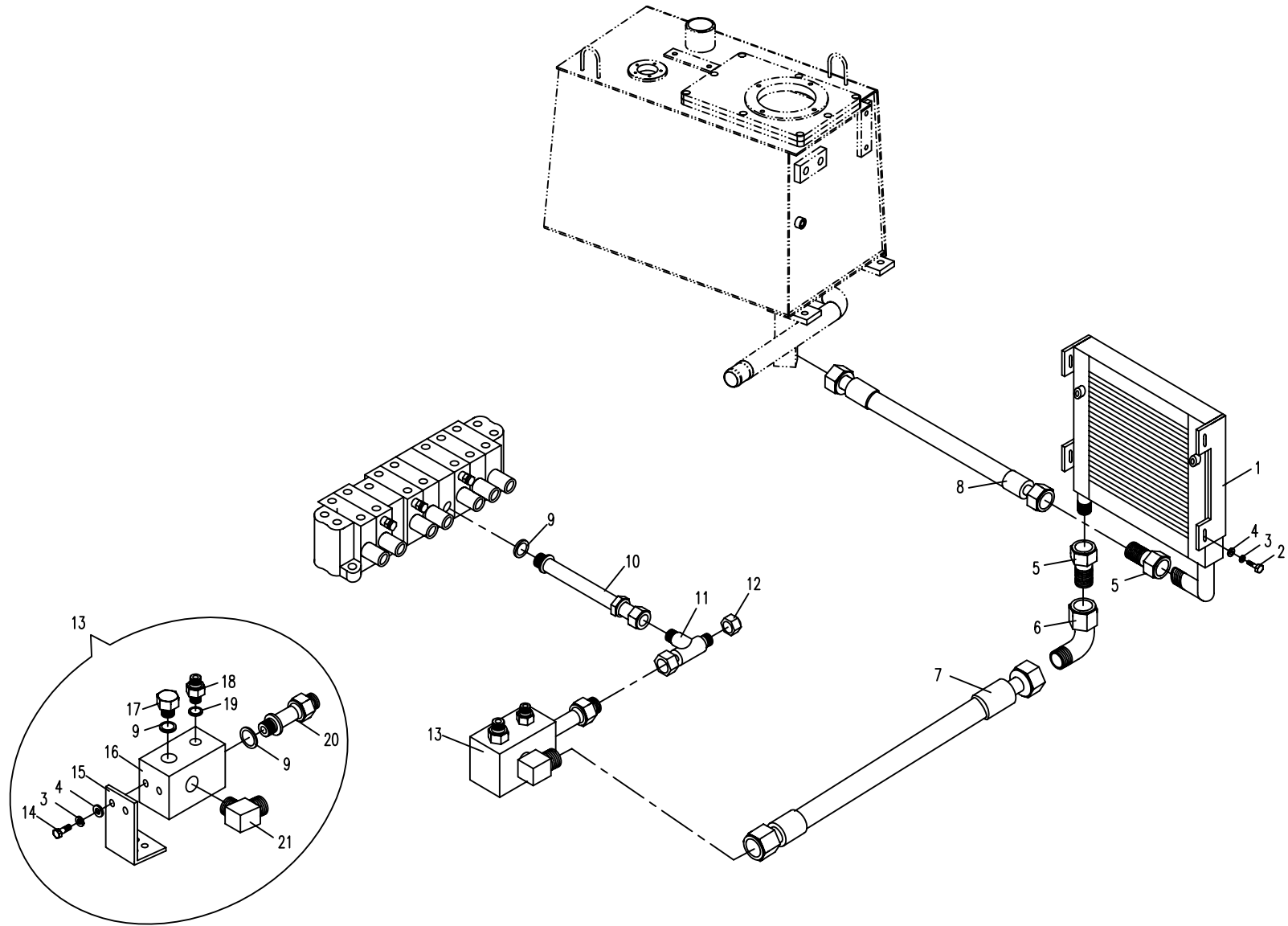
05.2.1 主液压系统—供油(适用825E01,825E02机型) MAIN HYDRAULIC SYSTEM—OIL SUPPLY(APPLY TO 825E01,825E02 TYPE)



05.2.1 主液压系统—供油(适用825E01,825E02机型) MAIN HYDRAULIC SYSTEM—OIL SUPPLY(APPLY TO 825E01,825E02 TYPE)



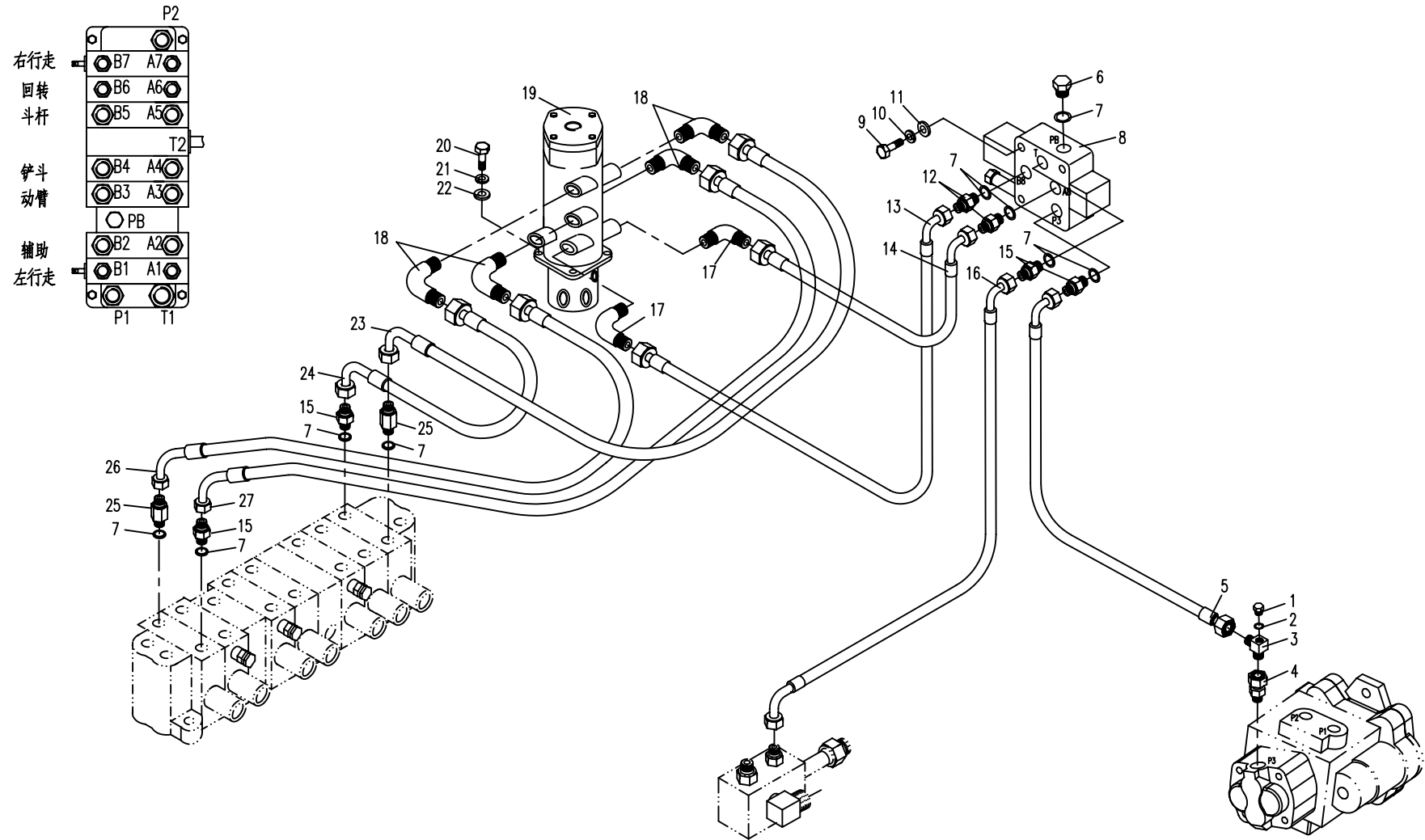
05.3.1 主液压系统—回油(适用825E01,825E02机型) MAIN HYDRAULIC SYSTEM—OIL RETURN(APPLY TO 825E01,825E02 TYPE)



05.4.1 主液压系统-中央接头及推土阀(适用825E01,825E02机型) MAIN HYDRAULIC SYSTEM-CENTRE JOINT AND DOZER VALVE(APPLY TO 825E01,825E02 TYPE)

序号 Nb.	数量 Quantity	代号 Code	名称 Description		备注 Remark
1	2	820-0500004	螺塞	Screw plug	
2	2	10 BS/A10.7×16×1.5 ISO	组合密封垫圈	Combinatory washer	
3	2	828-0500006	带测压口接头	Joint	
4	2	828-0500009	内外螺纹直接头	Joint	
5	1	830D-0535000	胶管总成	Hose assembly	
6	1	830-0500004	螺塞	Screw plug	
7	4	22 BS/A 22.7×30×2 ISO	组合密封垫圈	Combinatory washer	
8	1	830-0503100	推土阀	Dozer Valve	意大利
	1	830-0503000	推土阀	Dozer Valve	宁波东海
9	3	M6×55 GB/T5783	六角头螺栓	Bolt	8.8-Zn.D
10	3	6 GB/T93	弹簧垫圈	Spring washer	Zn.D
11	3	6 GB/T97.1	平垫圈	Washer	Zn.D
12	2	830-0500005	直接头	Bolt joint	
13	1	830D-0504000	胶管总成	Hose assembly	
14	1	830D-0502000	胶管总成	Hose assembly	
15	2	820-0500023	直接头	Bolt joint	
16	1	825-0516000	胶管总成	Hose assembly	
17	2	801-0500009	直角接头	Square joint	
18	4	820-0500025	直角接头	Square joint	
19	1	820-0528000	中央回转接头	Center joint	
20	4	M10×20 GB/T5783	六角头螺栓	Bolt	8.8-Zn.D
21	4	10 GB/T93	弹簧垫圈	Spring washer	Zn.D
22	4	10 GB/T97.1	平垫圈	Washer	Zn.D
23	1	830D-0512000	胶管总成	Hose assembly	
24	1	830D-0513000A	胶管总成	Hose assembly	
25	1	820-0500021	直接头	Bolt joint	
26	1	830D-0511000	胶管总成	Hose assembly	
27	1	830D-0506000	胶管总成	Hose assembly	

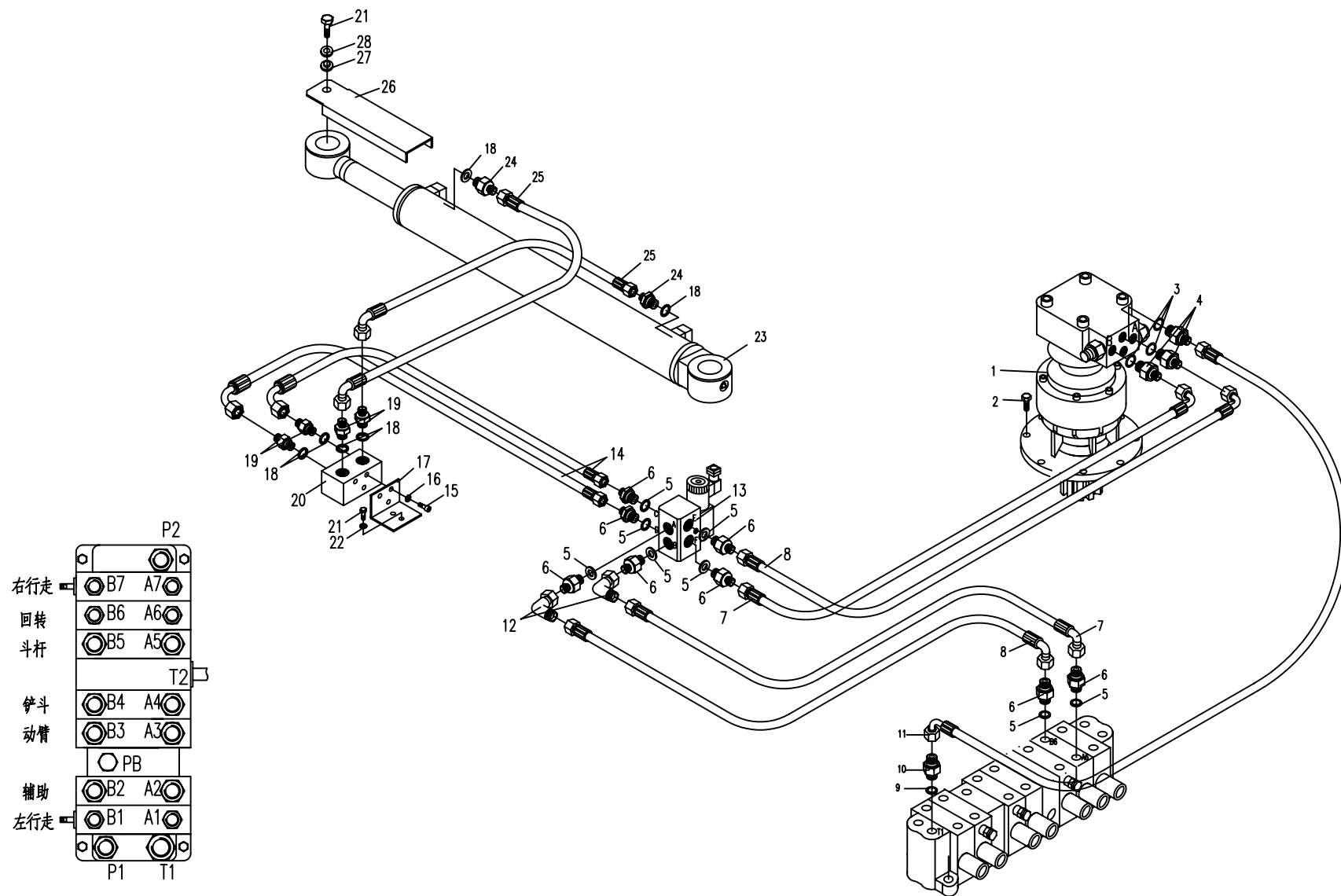
05.4.1 主液压系统—中央接头及推土阀(适用825E01,825E02机型) MAIN HYDRAULIC SYSTEM—CENTRE JOINT AND DOZER VALVE(APPLY TO 825E01,825E02 TYPE)



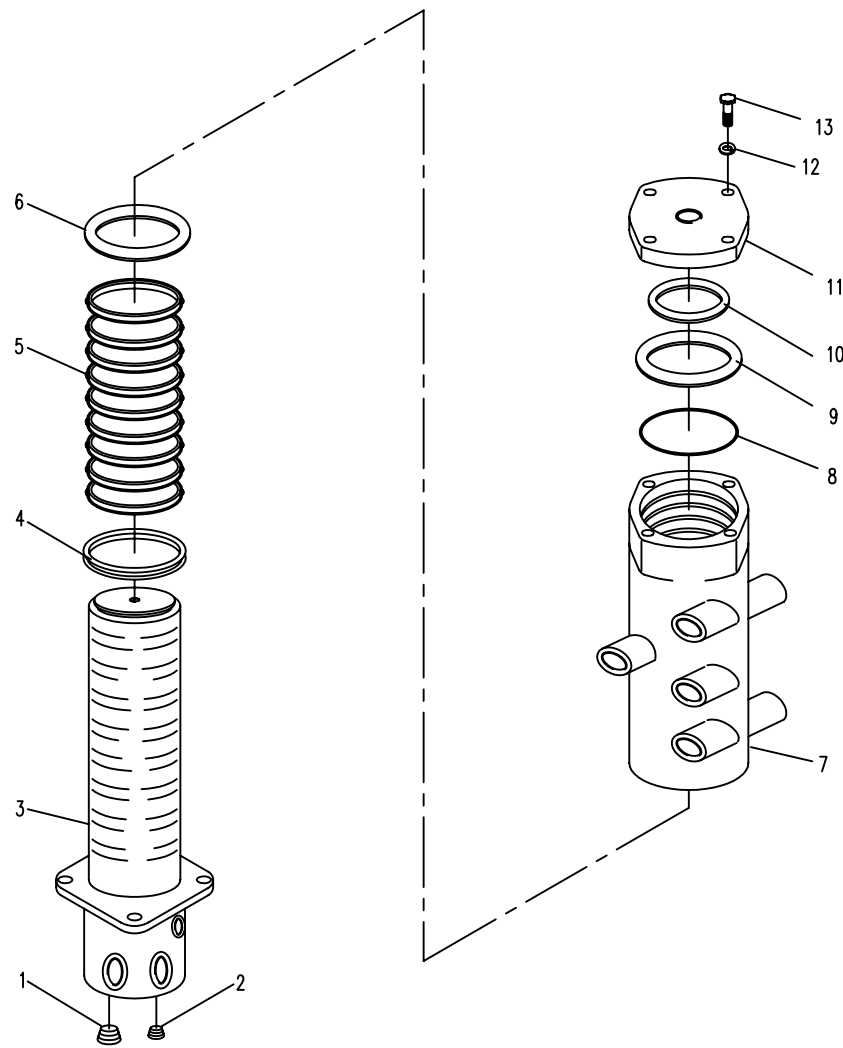
05.5.1 主液压系统-回转马达(适用825E01,825E02机型) MAIN HYDRAULIC SYSTEM-SLEWING MOTOR (APPLY TO 825E01,825E02 TYPE)

序号 No.	数量 Quantity	代号 Code	名称 Description		备注 Remark
1	1	825-0507000	回转减速机	Slewing motor	
2	6	M14×40 GB/T5783	六角头螺栓	Bolt	10.9-达克罗
3	1	13.8×2.4 NBR-90 ISO	O形橡胶密封圈	O-Ring	
4	1	820-0500041	直接头	Bolt joint	
5	5	22 BS/A 22.7×30×2 ISO	组合密封垫圈	Combinatory washer	
6	1	820-0500023	直接头	Bolt joint	
7	2	830D-0505000	胶管总成	Hose assembly	
8	2	830D-0512000	胶管总成	Hose assembly	
9	1	27 BS/A 27.7×36×2 ISO	组合密封垫圈	Combinatory washer	
10	1	825-0500015	直接头	Bolt joint	
11	1	825-0522000	胶管总成	Hose assembly	
12	2	818B-0500063	90°弯接头	90° Elbow joint	
13	1	T0308-01000	两位六通换向阀	Change valve	
14	2	830E-0509000	胶管总成	Hose assembly	
15	3	M6×45 GB/T70.1	内六角圆柱头螺钉	Bolt	8.8-Zn.D
16	3	6 GB/T93	弹簧垫圈	Spring washer	Zn.D
17	1	828-0500015	液压锁支架	Bracket	
18	4	18 BS/A 18.7×27×2 ISO	组合密封垫圈	Combinatory washer	
19	4	820-0500031	直接头	Bolt joint	
20	1	830-0504000	液压锁	Hydraulic lock	
21	4	M8×20 GB/T5783	六角头螺栓	Bolt	8.8-Zn.D
22	3	8 GB/T93	弹簧垫圈	Spring washer	Zn.D
23	1	815-0503000	偏转油缸	Deflexion cylinder	
24	2	830E-0526000	单向节流阀	Unilateral throttle	
25	2	830E-0502000	胶管总成	Hose assembly	
26	1	815-0515000	偏转缸保护板	Fender	
27	1	820-0500012	弹簧座	Spring seat	
28	1	820-0500011	碟形弹簧	Belleville spring	

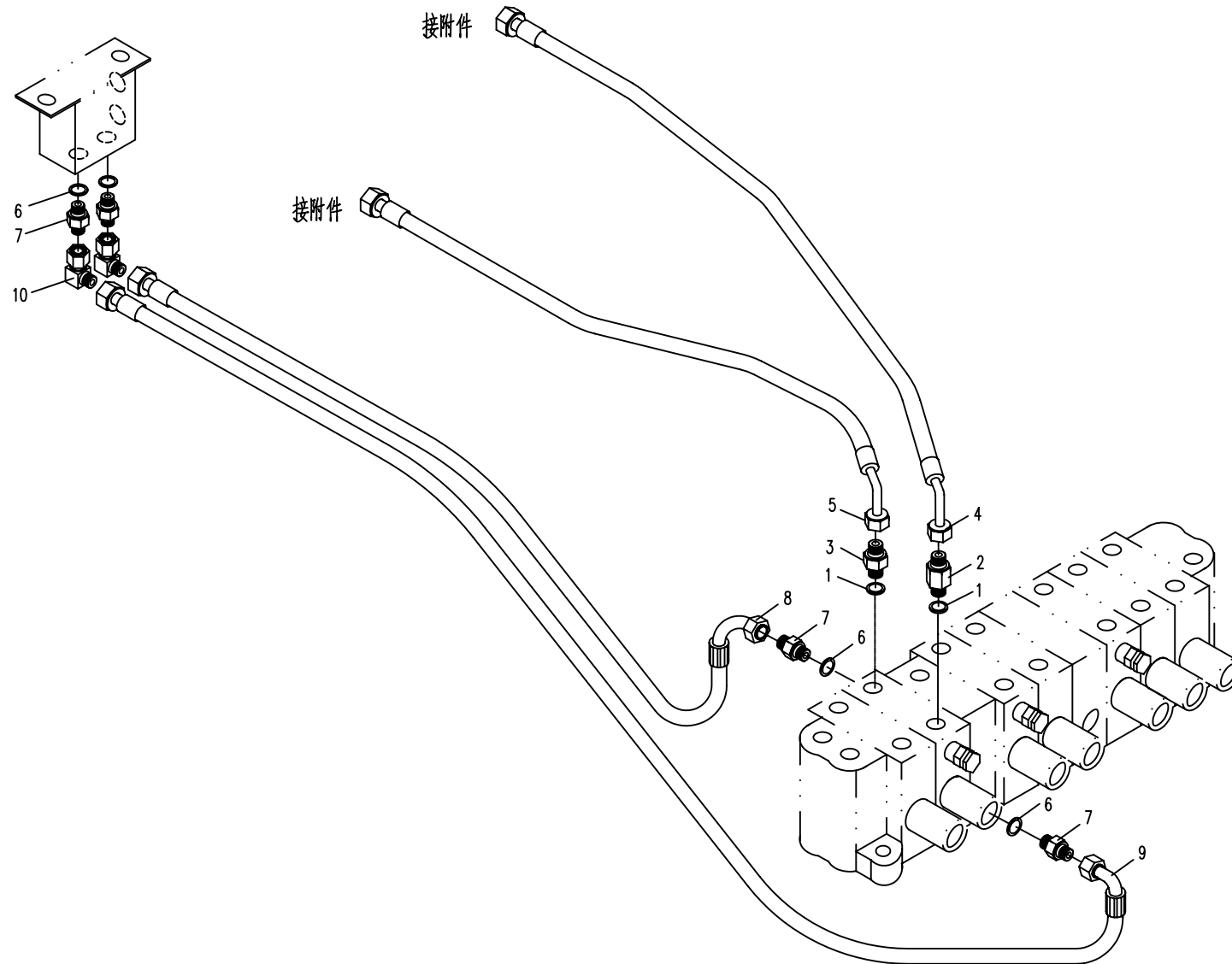
05.5.1 主液压系统—回转马达(适用825E01,825E02机型) MAIN HYDRAULIC SYSTEM—SLEWING MOTOR (APPLY TO 825E01,825E02 TYPE)



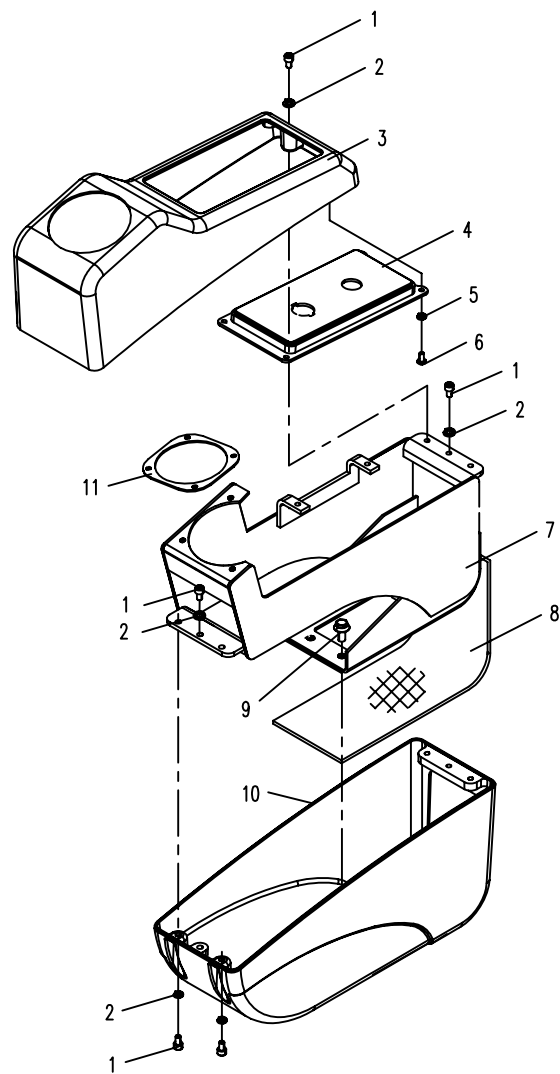
05.7.1 中央回转接头 (适用825E01,825E02机型) CENTRE SLEWING JOINT (APPLY TO 825E01,825E02 TYPE)



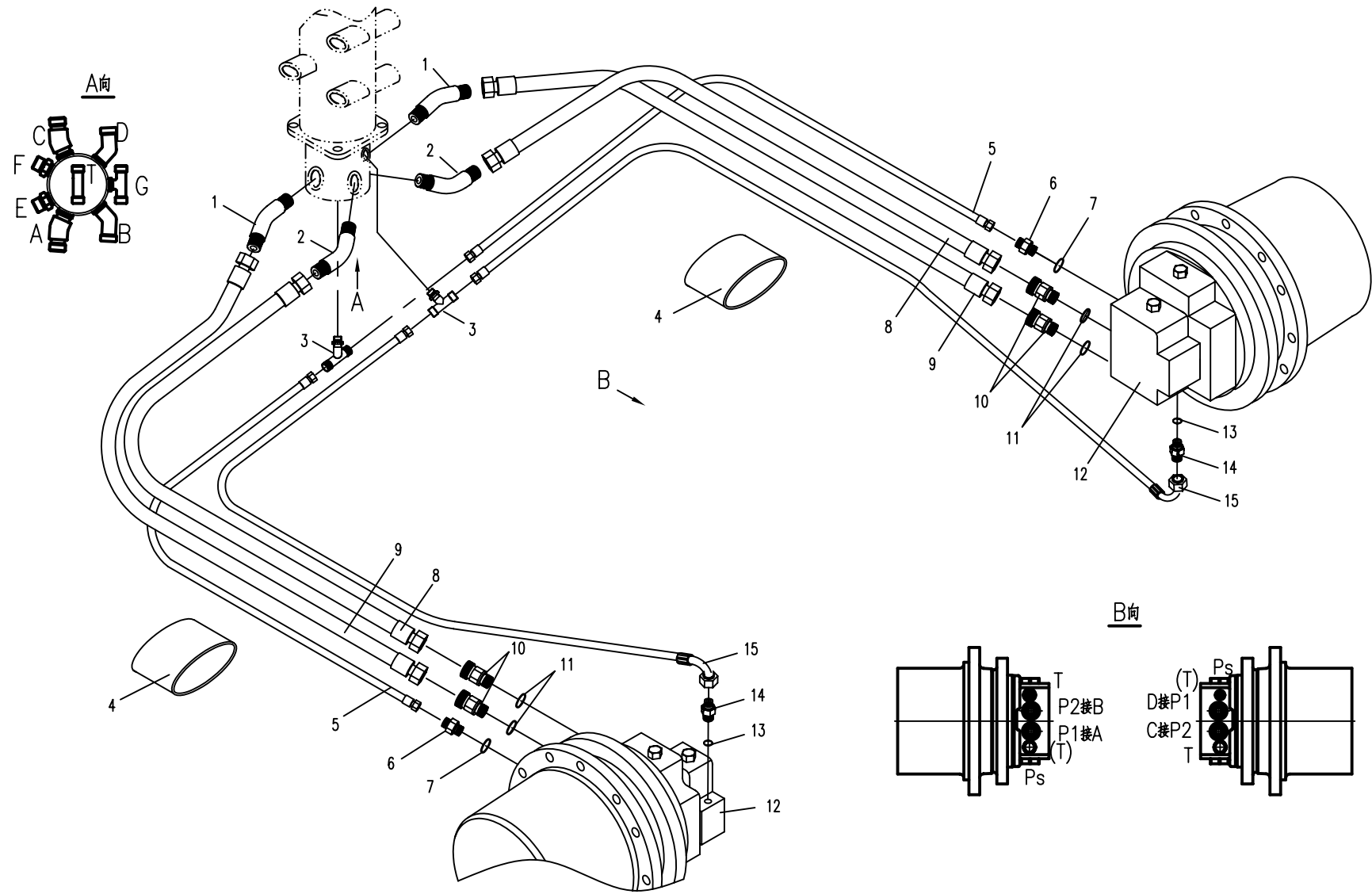
65.1.1 附属装置液压系统 1 (适用825E01,825E02机型) AUXILIARY EQUIPMENT HYDRAULIC SYSTEM 1 (APPLY TO 825E01,825E02 TYPE)



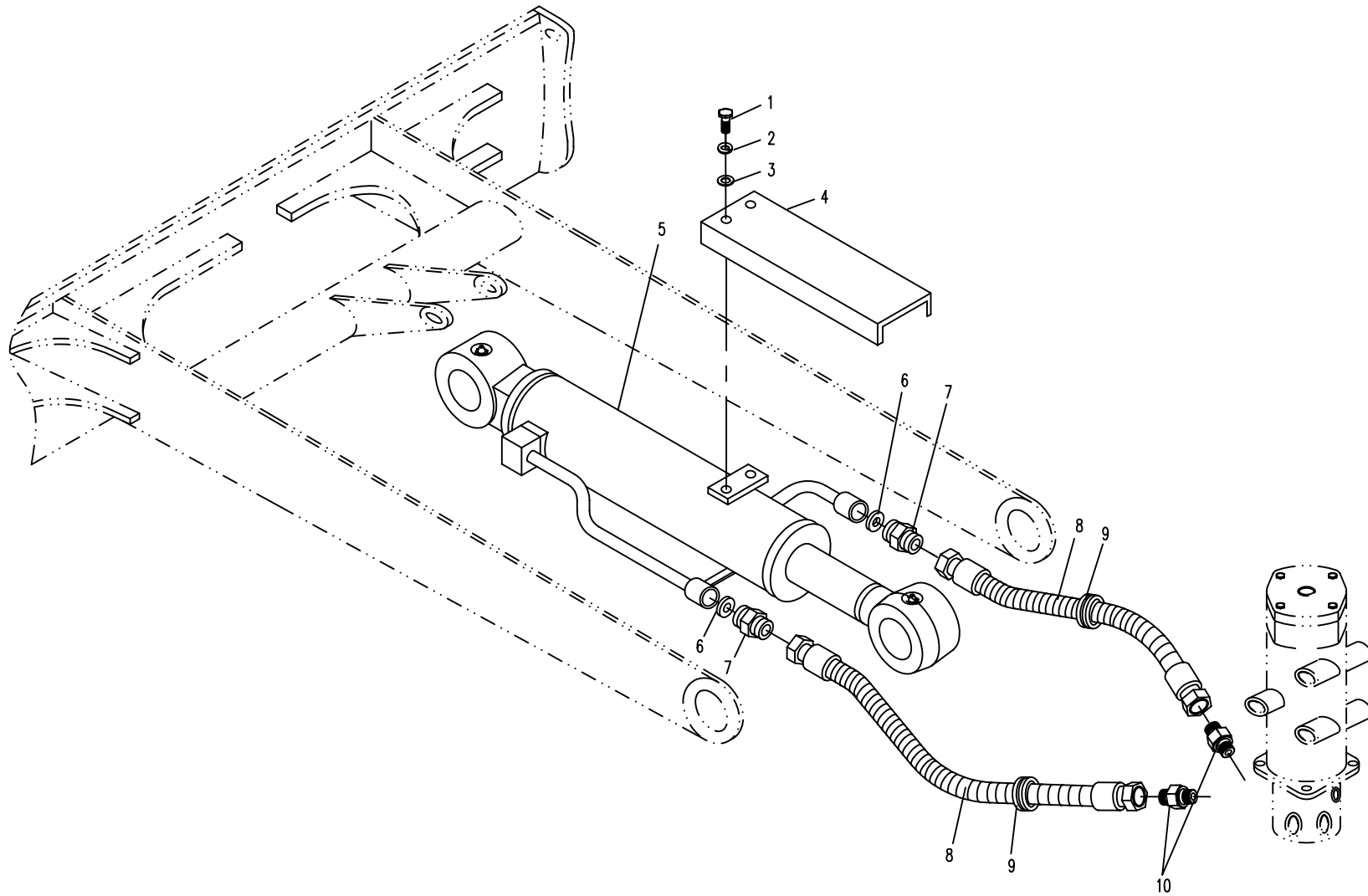
06.2.1 右操纵箱组件(适用825E01,825E02机型) RIGHT MANIPULATE BOX SUBASSEMBLY (APPLY TO 825E01,825E02 TYPE)



75.1.1 底盘部分的液压系统—行走(适用825E01,825E02机型)HYDRAULIC SYSTEM FOR CHASSIS-TRAVEL(APPLY TO 825E01,825E02 TYPE)



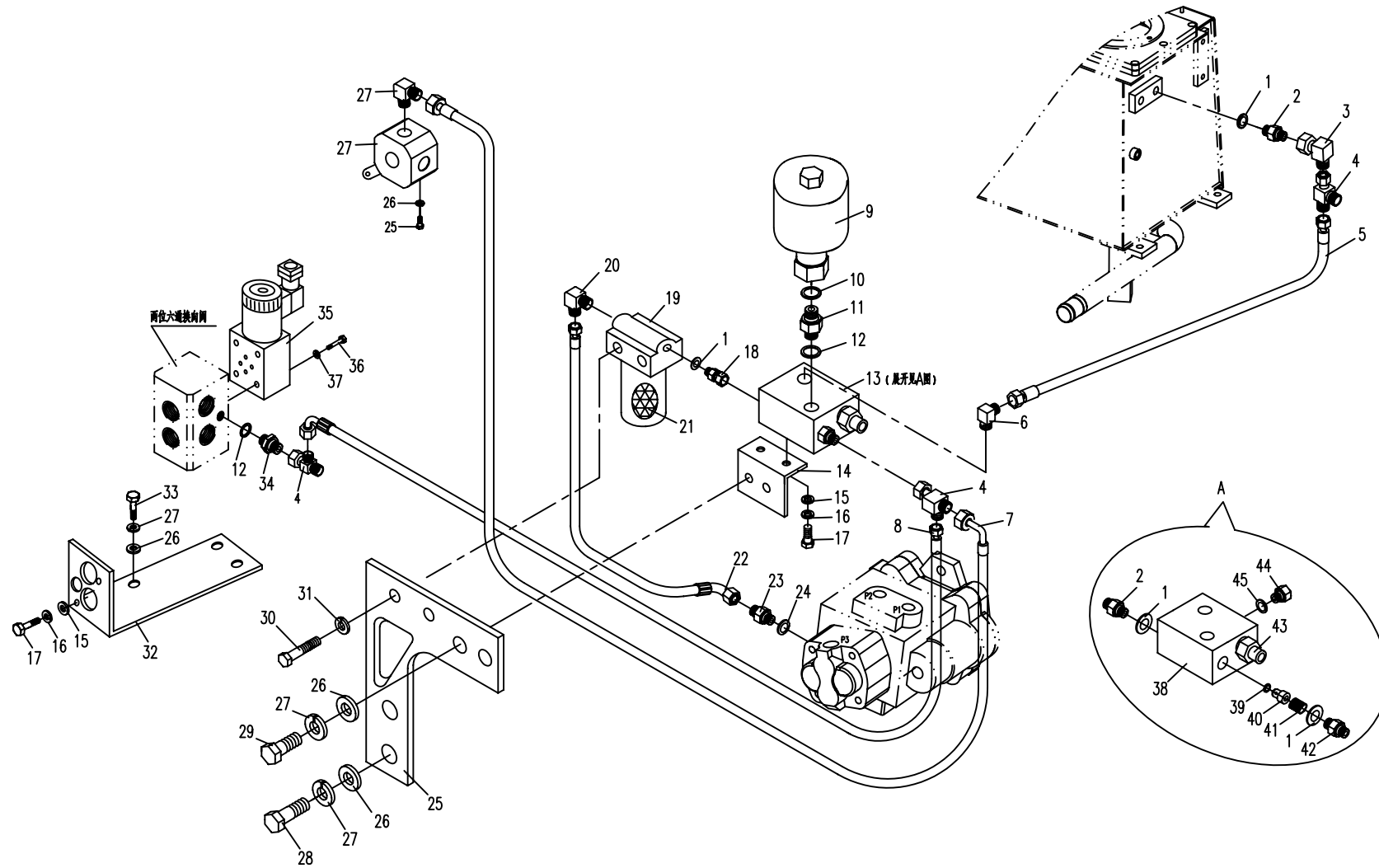
75.2.1 底盘部分的液压系统—推土(适用82E01,825E02机型)HYDRAULIC SYSTEM FOR CHASSIS-BULLDOZE(APPLY TO 825E01,825E02 TYPE)



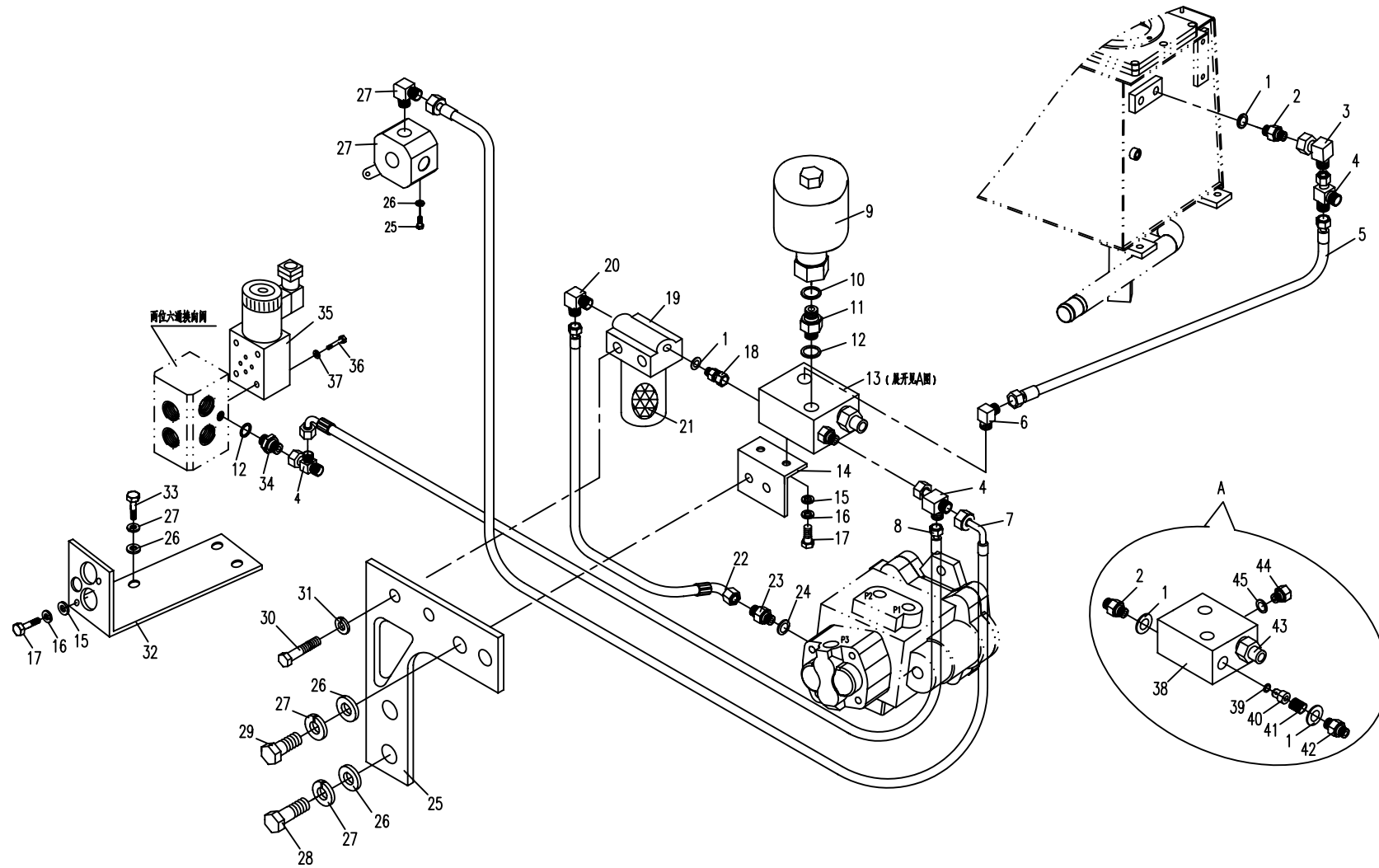
85.1.1 先导控制液压系统-供油 (适用825E01,825E02机型) PILOT EQUIPMENT HYDRAULIC SYSTEM -OIL SUPPLY (APPLY TO 825E01,825E02 TYPE)

序号 No.	数量 Quantity	代号 Code	名称 Description		备注 Remark
1	3	18 BS/A18.7×27×2 ISO	组合密封垫圈	Combinatory washer	
2	2	820-0500003	直接头	Bolt joint	
3	1	810M-0500003	直角接头	Square joint	
4	2	850-8502000	三通接头	Tee joint	
5	1	828-8505000	胶管总成	Hose assembly	
6	1	850D-8500002	直角接头	Square joint	
7	1	830D-8522000	胶管总成	Hose assembly	
8	1	830D-8504000	胶管总成	Hose assembly	
9	1	820-8544000	蓄能器	Accumulator	
10	1	22 BS/A22.7×30×2 ISO	组合密封垫圈	Combinatory washer	
11	1	830B-8500003	直接头	Bolt joint	
12	2	14 BS/A14.7×21×1.5 ISO	组合密封垫圈	Combinatory washer	
13	1	828-8506000	油源阀总成	Oil Source Valve	
14	1	830B-8500002	支承弯板	Bracket	
15	4	8 GB/T97.1	平垫圈	Washer	Zn.D
16	4	8 GB/T93	弹簧垫圈	Spring washer	Zn.D
17	4	M8×20 GB/T5783	六角头螺栓	Bolt	8.8-Zn.D
18	1	830B-8505000	直接头	Bolt joint	
19	1	820-8514000	滤油器	Oil filter	包括序号21 (Inclue No.21)
20	1	830T-8500001	直角接头	Square joint	
21	1	820-8514200	滤油器滤芯	Filter element	
22	1	830D-8521000A	胶管总成	Hose assembly	
23	1	855-7500002	直接头	Bolt joint	
24	1	10.8×2.4 NBR-90 ISO	O形橡胶密封圈	O-Ring	
25	1	830H-8500001	固定板	Dead Plate	
26	5	10 GB/T97.1	平垫圈	Washer	Zn.D
27	5	10 GB/T93	弹簧垫圈	Spring washer	Zn.D
28	2	M10×35 GB/T5783	六角头螺栓	Bolt	8.8-Zn.D

85.1.1 先导控制液压系统—供油 (适用825E01,825E02机型) PILOT EQUIPMENT HYDRAULIC SYSTEM -OIL SUPPLY (APPLY TO 825E01,825E02 TYPE)



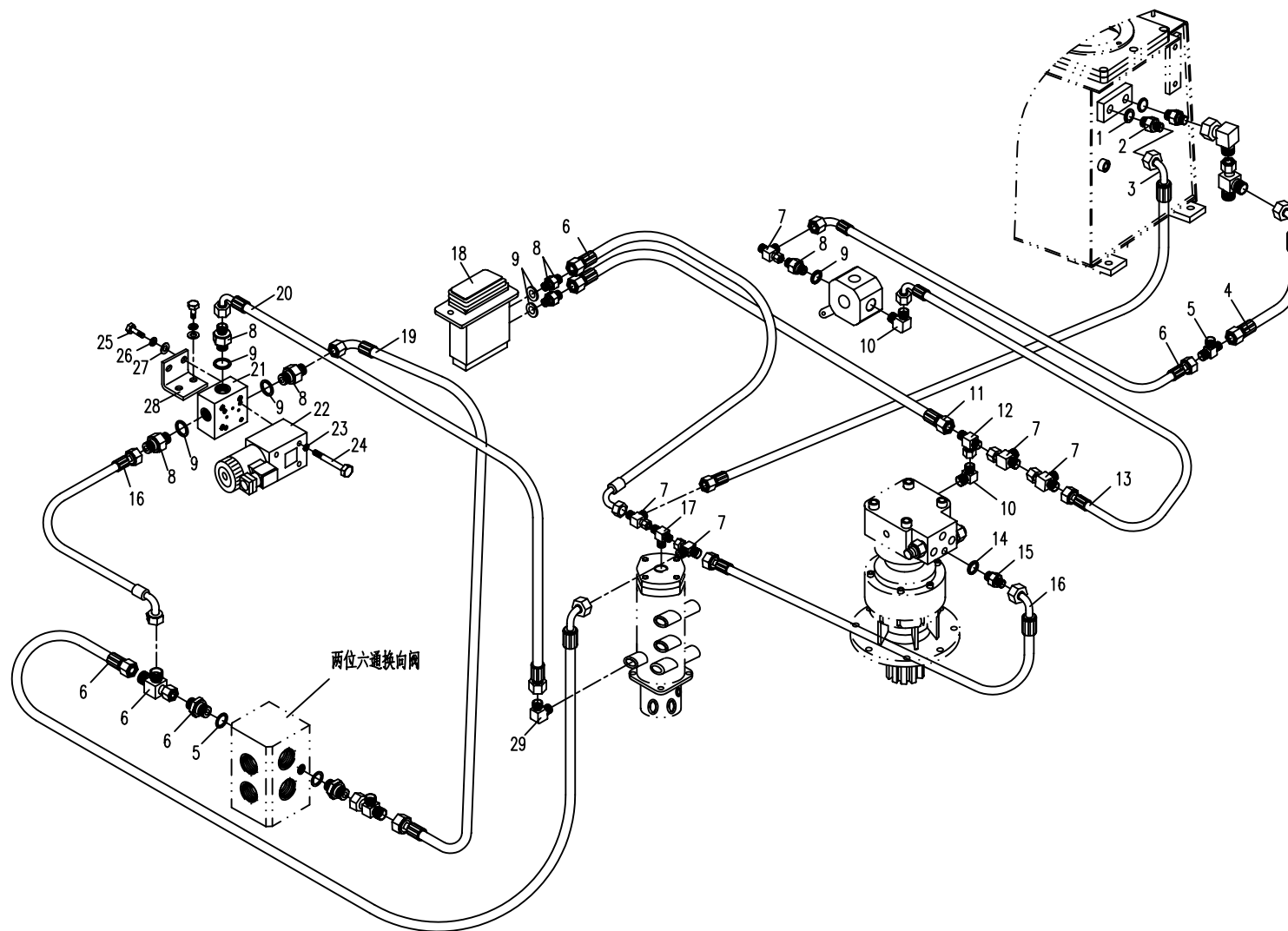
85.1.1 先导控制液压系统—供油 (适用825E01,825E02机型) PILOT EQUIPMENT HYDRAULIC SYSTEM -OIL SUPPLY (APPLY TO 825E01,825E02 TYPE)



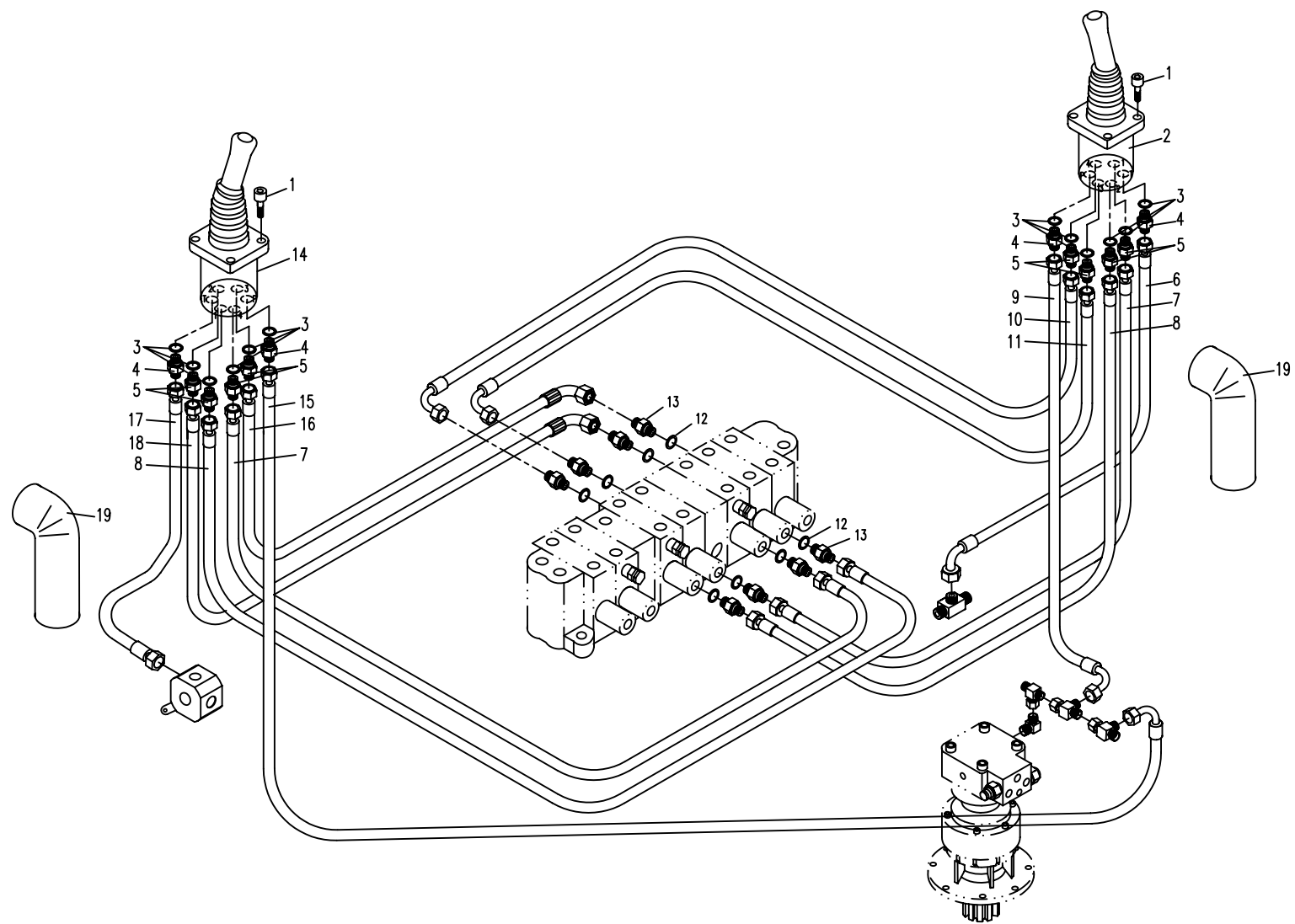
85.2.1 先导控制液压系统总成 (适用825E01,825E02机型) PILOT EQUIPMENT HYDRAULIC SYSTEM ASSEMBLY (APPLY TO 825E01,825E02 TYPE)

序号 No.	数量 Quantity	代号 Code	名称 Description		备注 Remark
1	1	18 BS/A 18.7×27×2 ISO	组合密封垫圈	Combinatory washer	
2	1	820-0500003	直接头	Bolt joint	
3	1	830D-8503000A	胶管总成	Hose assembly	
4	1	830D-8505000A	胶管总成	Hose assembly	
5	1	850-8505000	三通接头	Tee joint	
6	3	830D-8523000A	胶管总成	Hose assembly	
7	3	850-8502000	三通接头	Tee joint	
8	1	820-8500004	直接头	Bolt joint	
9	1	14 BS/A 14.7×21×1.5 ISO	组合密封垫圈	Combinatory washer	
10	2	850D-8500002	直角接头	Square joint	
11	1	830D-8519000A	胶管总成	Hose assembly	
12	1	850-8501000	三通接头	Tee joint	
13	1	830D-8504000	胶管总成	Hose assembly	
14	1	13.8×2.4 NBR-90 ISO	O形橡胶密封圈	O-Ring	
15	1	820-8500013	直接头	Bolt joint	
16	2	830D-8521000A	胶管总成	Hose assembly	
17	1	820-0500001	三通接头	Tee joint	
18	1	T0301-12000	踏板先导阀	Dozer pilot valve	
19	1	830D-8502000	胶管总成	Hose assembly	
20	1	830D-8509000A	胶管总成	Hose assembly	
21	1	T0307-01000	阀块	Valve body	
22	1	T0309-03000	电磁阀	Solenoid valve	RPE3 (电压12V)
23	4	5 GB/T93	弹簧垫圈	Spring washer	Zn.D
24	4	M5×50 GB/T 70.1	内六角圆柱头螺钉	Bolt	8.8-Zn.D
25	4	M8×20 GB/T5783	六角头螺栓	Bolt	8.8-Zn.D
26	4	8 GB/T93	弹簧垫圈	Spring washer	Zn.D
27	4	8 GB/T97.1	平垫圈	Washer	Zn.D
28	1	828-0520002	变速阀支架	Bracket	
29	1	820-8500006	直角接头	Square joint	

85.2.1 先导控制液压系统总成(适用825E01,825E02机型) PILOT EQUIPMENT HYDRAULIC SYSTEM ASSEMBLY(APPLY TO 825E01,825E02 TYPE)



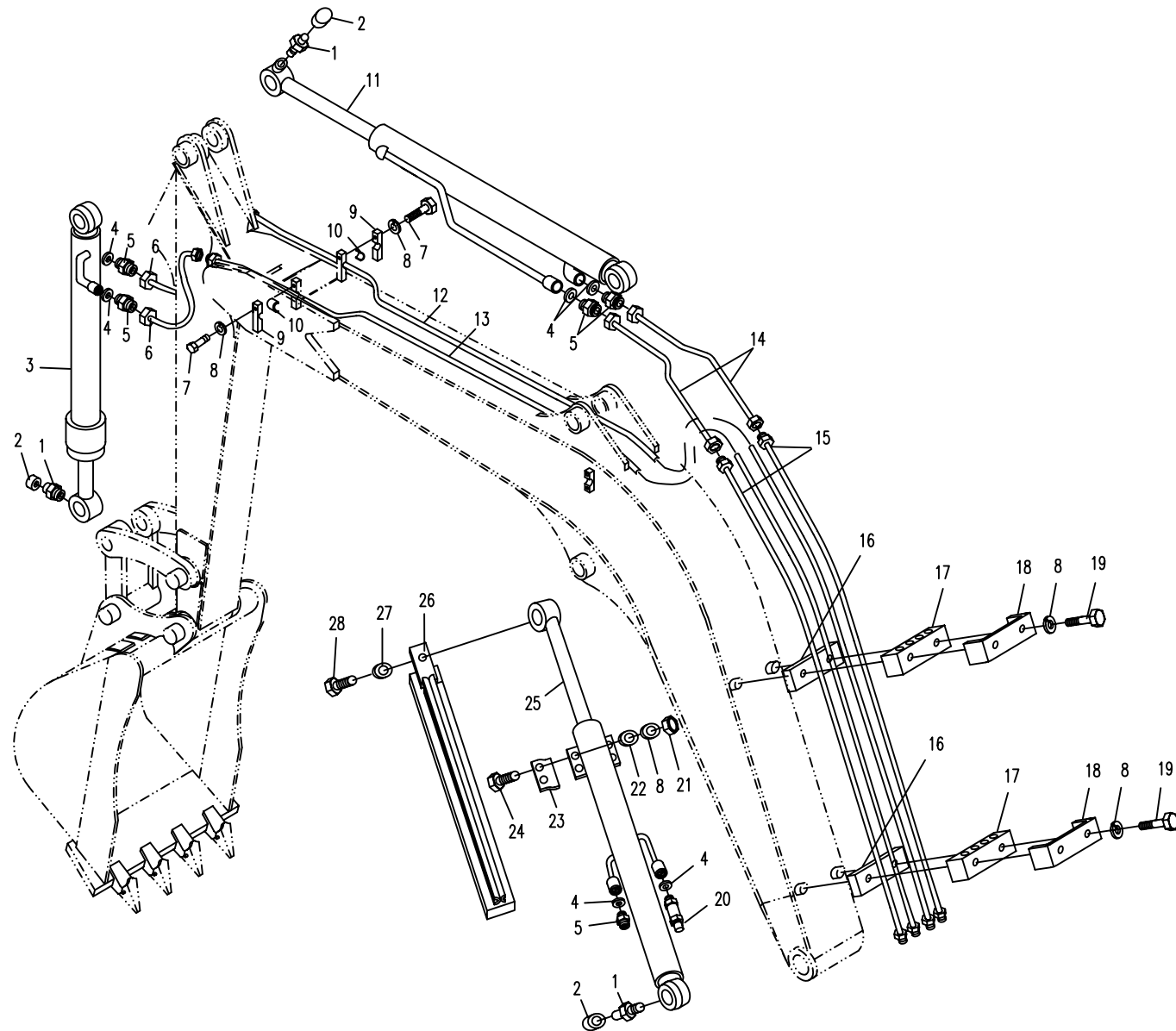
85.3.1 先导部分液压系统—先导操纵(适用825E01,825E02机型) HYDRAULIC SYSTEM FOR PILOT CONTROL(APPLY TO 825E01,825E02 TYPE)



95.1.1 工作装置的液压系统(适用825E01,825E02机型) HYDRAULIC SYSTEM FOR WORKING EQUIPMENT(APPLY TO 825E01,825E02 TYPE)

序号 Nb.	数量 Quantity	代号 Code	名称 Description		备注 Remark
1	6	M10 □ 1 JB/T7940.1	直通式压注油杯	Grease Cup	Zn.D
2	6	801-0400001	油杯罩盖	Grease Cup cover	
3	1	825-9501000	铲斗油缸	Bucket cylinder	
4	1	18 BS/A18.7 □ 27 □ 2 ISO	组合密封垫圈	Combinatory washer	
5	5	828-9500005	直接头	Bolt joint	
6	2	828-9515000	胶管总成	Rubber pipe assembly	
7	2	M8×30 GB/T5783	六角头螺栓	Bolt	8.8-Zn.D
8	10	8 GB/T93	弹簧垫圈	Spring washer	Zn.D
9	2	820-9500003A	管夹	Pipe clame	
10	2	820-9500004	胶垫	Rubber spacer	
11	1	825-9505000A	斗杆油缸	Arm cylinder	
12	1	825-9512000	钢管总成	Steel pipe assembly	
13	1	825-9513000	钢管总成	Steel pipe assembly	
14	2	825-9503000	胶管总成	Rubber pipe assembly	
15	2	828-9514000	钢管总成	Steel pipe assembly	
16	2	820-9500012	下压板	Lower clamping plate	
17	2	820-9500011	管夹	Pipe clame	
18	2	820-9500009	上压板	Upper clamp plate	
19	4	M8×40 GB/T5783	六角头螺栓	Bolt	8.8-Zn.D
20	1	828-9521000	单向节流阀	Valve	
21	4	M8 GB/T6170	型六角螺母	Nut	
22	4	8 GB/T97.1	垫圈	Washer	
23	2	820-9509001	引导板	Pilot plate	
24	4	M8×20 GB/T5783	六角头螺栓	Bolt	8.8-Zn.D
25	1	815-9509200	动臂油缸	Boom offset cylinder	
26	1	820-9509100	保护板	Protective plate	
27	1	12 GB/T93	弹簧垫圈	Spring washer	Zn.D
28	1	M12 □ 30 GB/T5783	六角头螺栓	Bolt	8.8-Zn.D

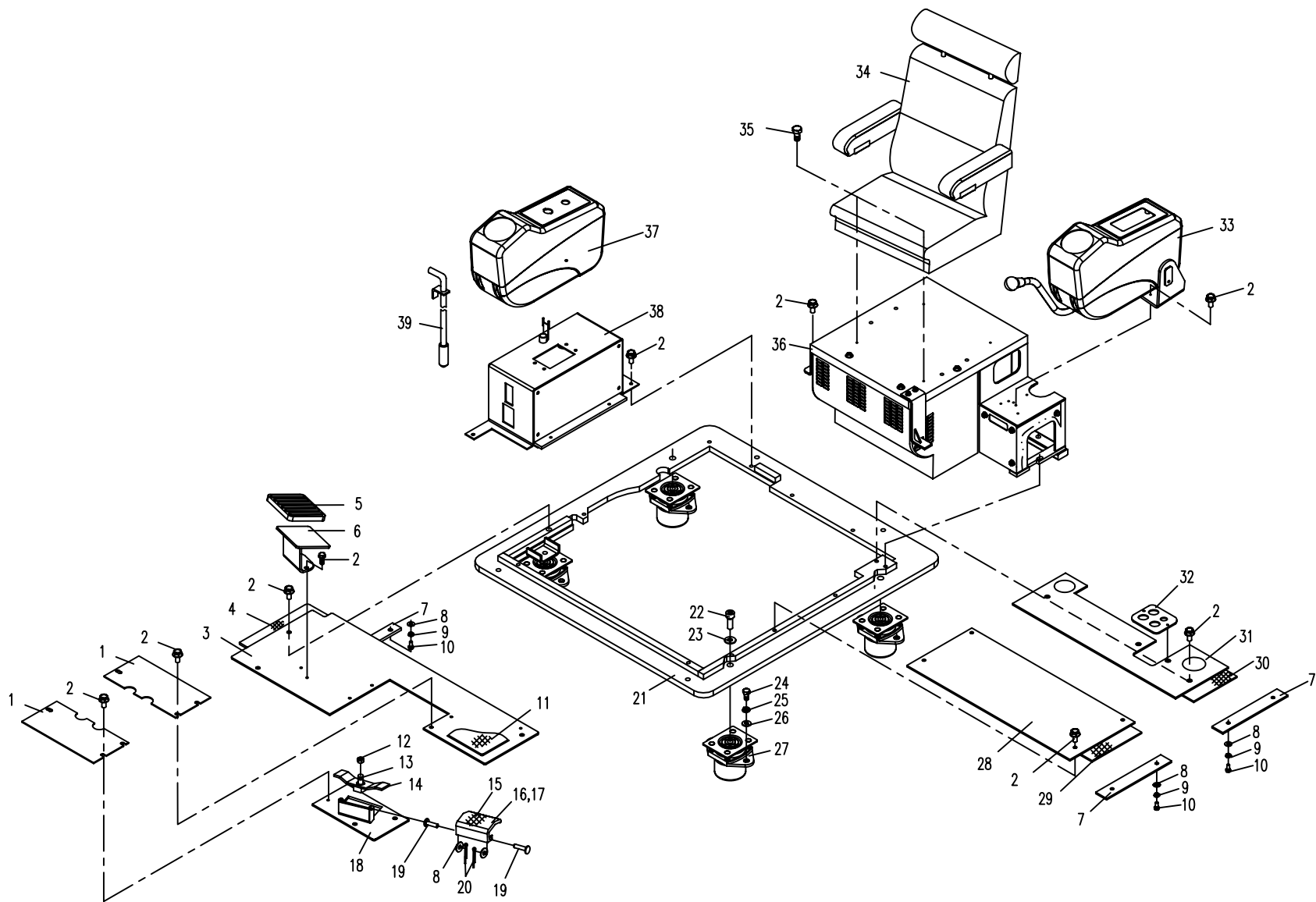
95.1.1 工作装置的液压系统(适用825E01,825E02机型) HYDRAULIC SYSTEM FOR WORKING EQUIPMENT(APPLY TO 825E01,825E02 TYPE)



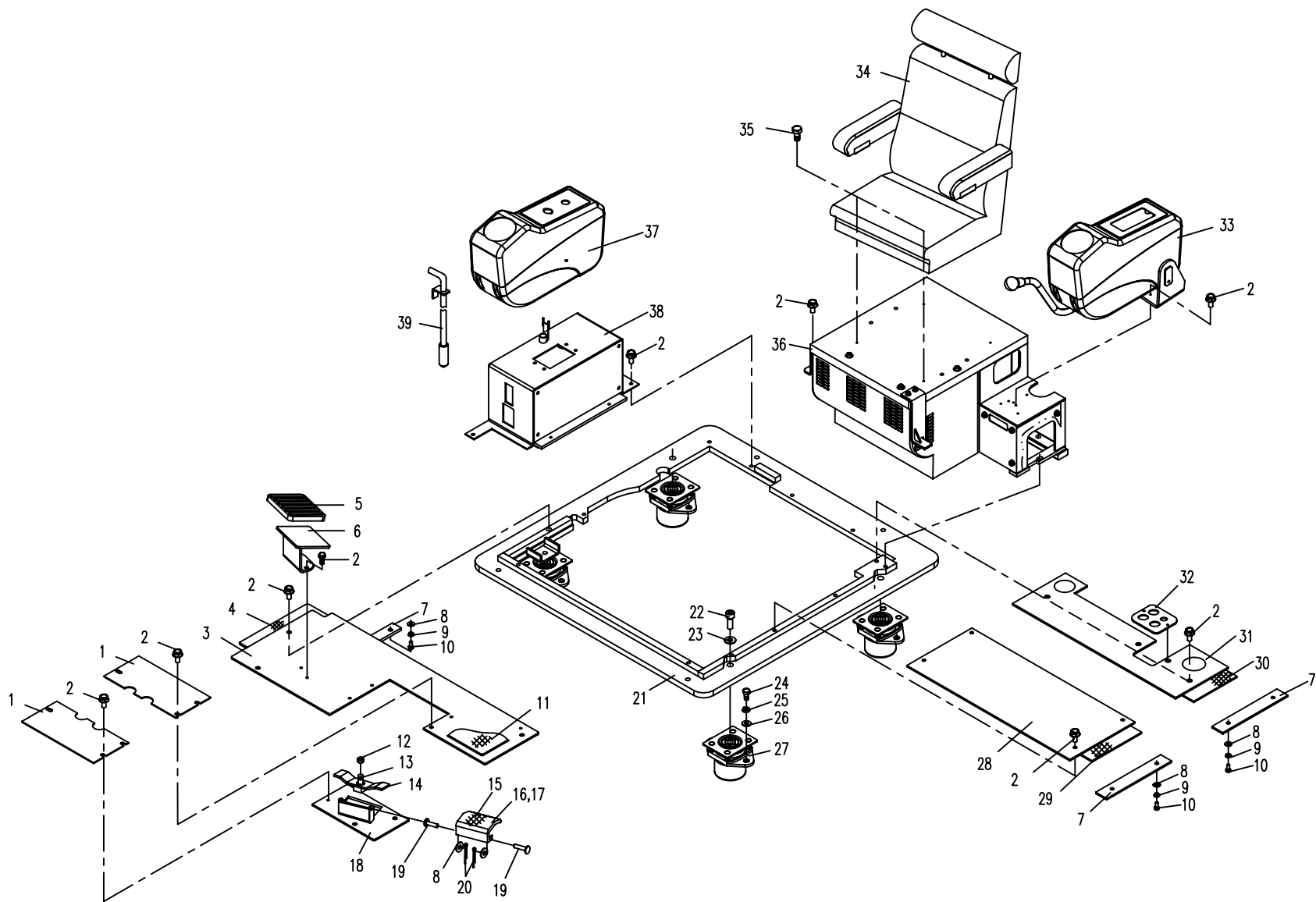
06.1.1 操纵机构(适用825E01,825E02机型) CONTROL FRAMEWORK(APPLY TO 825E01,825E02 TYPE)

序号 No.	数量 Quantity	代号 Code	名称 Description		备注 Remark
1	2	830D-0600016	操纵盖板	Controlling cover plate	
2	19	M8×16 GB/T5789	六角法兰面螺栓	Bolt	8.8-Zn.D
3	1	830P-0606100A	前底板	Front motherboard	
4	1	830P-0606002A	隔音绵	Sponge	
5	1	860E-0613001	橡胶踏	Rubber footplate	
6	1	835-0614010A	脚踏座	Footplate pedestal	
7	6	830P-0606001	垫板	Press plate	
8	14	6 GB/T97.1	平垫圈	Washer	Zn.D
9	12	6 GB/T93	弹簧垫圈	Spring washer	Zn.D
10	12	M6×16 GB/T5783	六角头螺栓	Bolt	8.8-Zn.D
11	1	830P-0600002B	地板胶	Rubber floorboard	
12	1	M8 GB/T6170	1型六角螺母	Nut	8-Zn.D
13	1	830D-0611002	螺杆	Screw	
14	1	830D-0611100	踏板	Footplate	
15	1	860E-0613001	橡胶踏	Rubber footplate	
16	1	830P-0609100	脚踏盖板	Cover plate	
17	1	830D-0900002	橡胶垫	Rubber mat	
18	1	830H-0613000	左底板	Left Motherboard	
19	2	6×16 GB/T882	销轴	Pin	Zn.D
20	2	2×12 GB/T91	开口销	Cotter pin	Zn.D
21	1	825E-0601000	框架组件	Frame assembly	
22	4	M14×30 GB/T70.1	内六角圆柱头螺钉	Bolt	8.8-Zn.D
23	4	14 GB/T97.1	平垫圈	Washer	Zn.D
24	8	M10×20 GB/T5783	六角头螺栓	Bolt	10.9-达克罗
25	8	10 GB/T93	弹簧垫圈	Spring washer	Zn.D
26	8	10 GB/T97.1	平垫圈	Washer	Zn.D
27	4	830P-0600001	减震器	Shock absorber	
28	1	830P-0608100A	中底板	Middle motherboard	

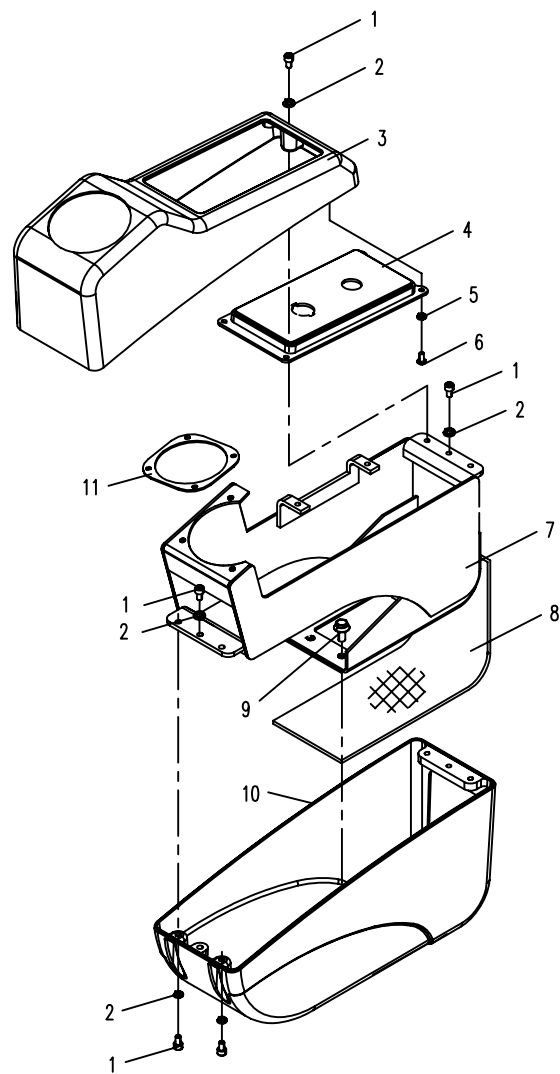
06.1.1 操纵机构(适用825E01,825E02机型) CONTROL FRAMEWORK(APPLY TO 825E01,825E02 TYPE)



06.1.1 操纵机构(适用825E01,825E02机型) CONTROL FRAMEWORK(APPLY TO 825E01,825E02 TYPE)



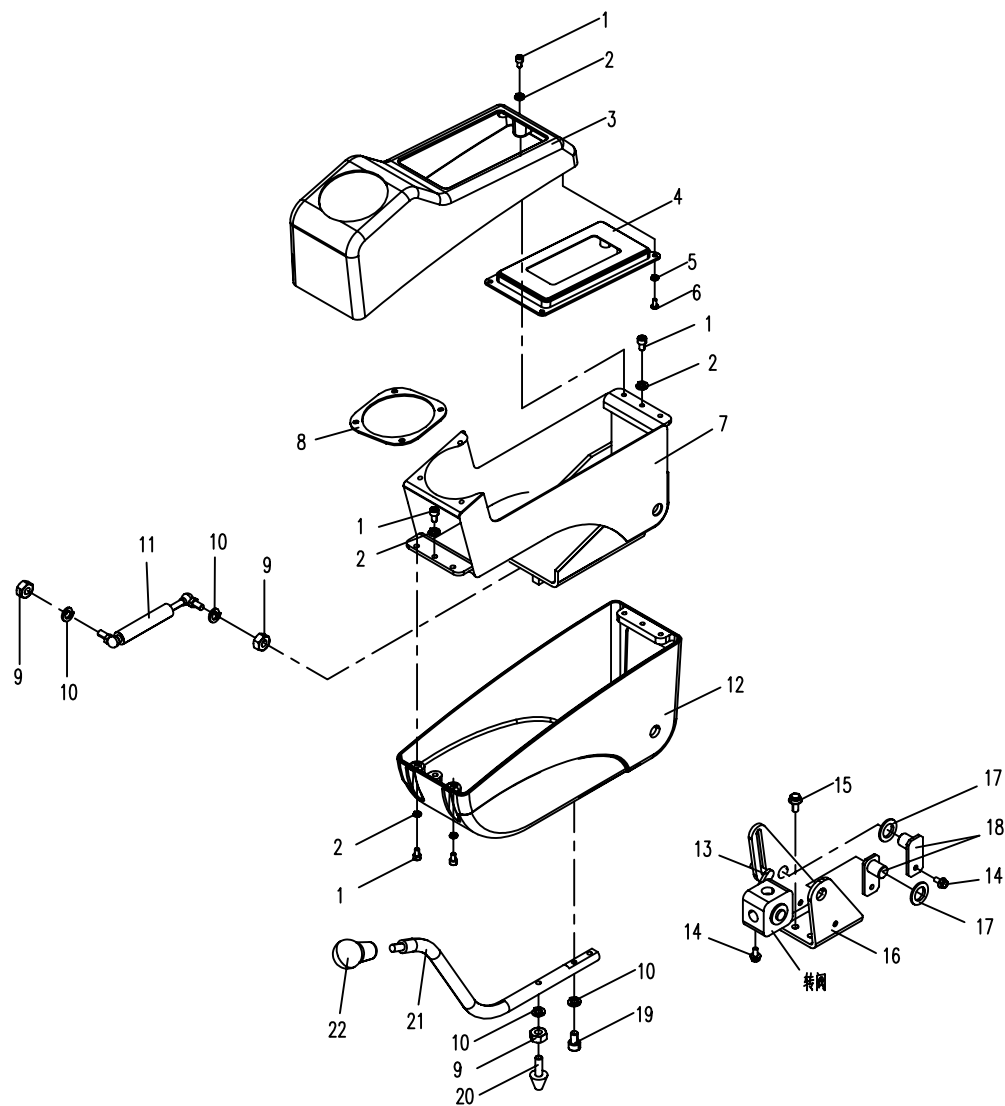
06.2.1 右操纵箱组件(适用825E01,825E02机型) RIGHT MANIPULATE BOX SUBASSEMBLY (APPLY TO 825E01,825E02 TYPE)



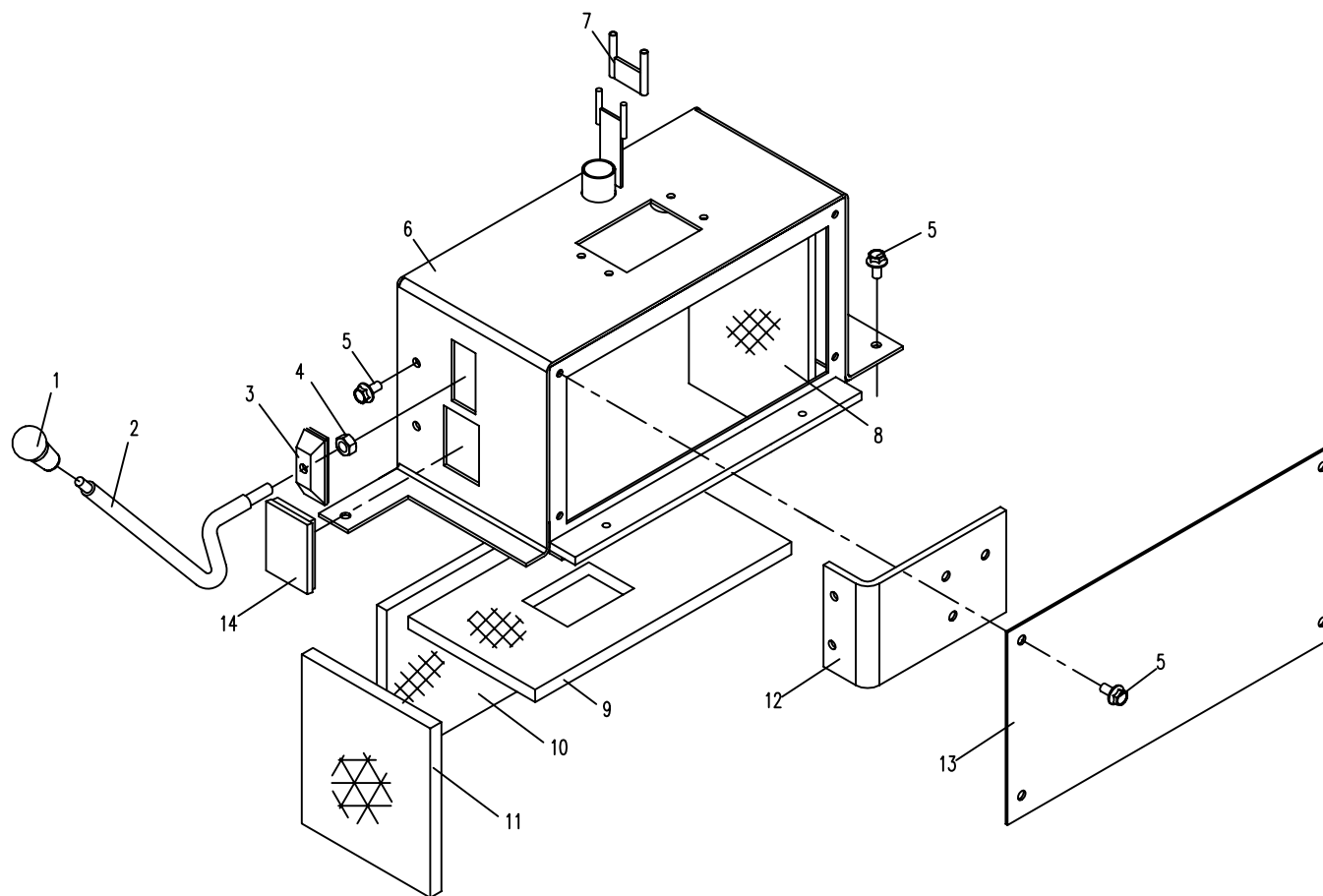
06.3.1 左操纵箱组件(适用825E01,825E02机型) LEFT MANIPULATE BOX SUBASSEMBLY (APPLY TO 825E01,825E02 TYPE)

序号 No.	数量 Quantity	代号 Code	名称 Description		备注 Remark
1	6	M6×20 GB/T70.1	内六角圆柱头螺钉	Bolt	8.8-Zn.D
2	6	6 GB/T93	弹簧垫圈	Spring washer	Zn. D
3	1	830P-0602001	上箱	Upper box	
4	1	830P-0603004	左面板	Left panel	
5	4	5 GB/T93	弹簧垫圈	Spring washer	Zn.D
6	4	M5×10 GB/T818	十字槽盘头螺钉	Bolt	8.8-Zn.D
7	1	830P-0603100A	左支架	Left bracket	
8	1	860-0600004	压板	Pressing plate	
9	2	M8 GB/T6170	1型六角螺母	Nut	8-Zn.D
10	5	8 GB/T93	弹簧垫圈	Spring washer	Zn.D
11	1	810A-1503000	气弹簧	Gas spring	
12	1	830P-0602002	下箱	Below box	
13	1	830D-0615000	安全阀手柄	Safety valve handle	
14	4	M6×12 GB/T5789	六角法兰面螺栓	Bolt	8.8-Zn.D
15	3	M8×16 GB/T5789	六角法兰面螺栓	Bolt	8.8-Zn.D
16	1	830P-0603300	后支撑	Rear supporting	
17	2	850-0600002	隔垫片	Washer	
18	2	830P-0603200	转轴	Axes	
19	2	M8×20 GB/T70.1	内六角圆柱头螺钉	Bolt	8.8-Zn.D
20	1	818B-0608000	螺钉帽	Cap of bolt	
21	1	830P-0603001A	拉杆	Draught pole	
22	1	810S-0604600	手柄头	Handle ball	

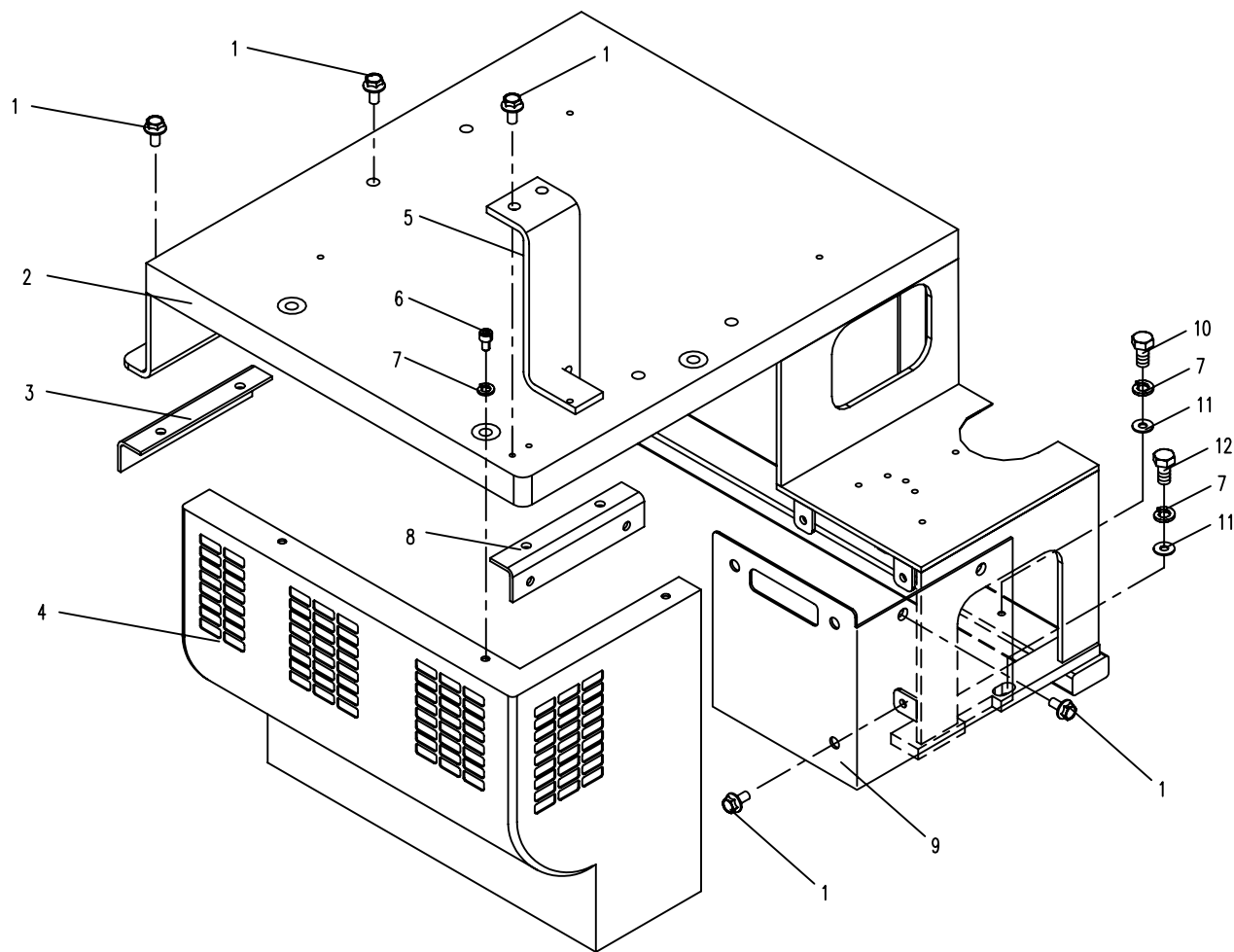
06.3.1 左操纵箱组件(适用825E01,825E02机型) LEFT MANIPULATE BOX SUBASSEMBLY (APPLY TO 825E01,825E02 TYPE)



06.4.1 阀罩组件(适用825E01,825E02 机型) VALVE COVER SUBASSEMBLY(APPLY TO 825E01,825E02 TYPE)



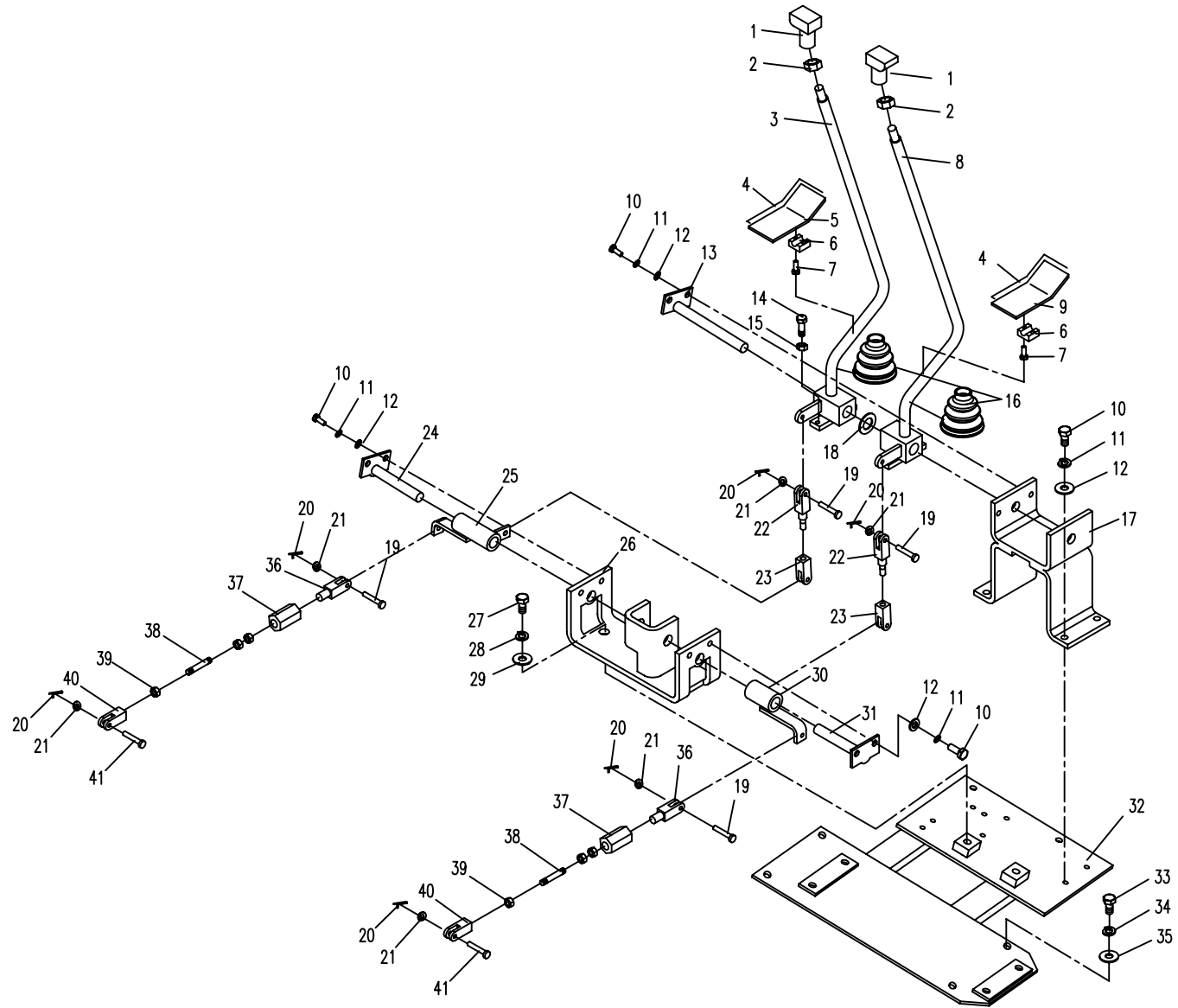
06.5.1 座椅架(适用825E01,825E02机型) SUPPORTING PLATE OF SEAT (APPLY TO 825E01,825E02 TYPE)



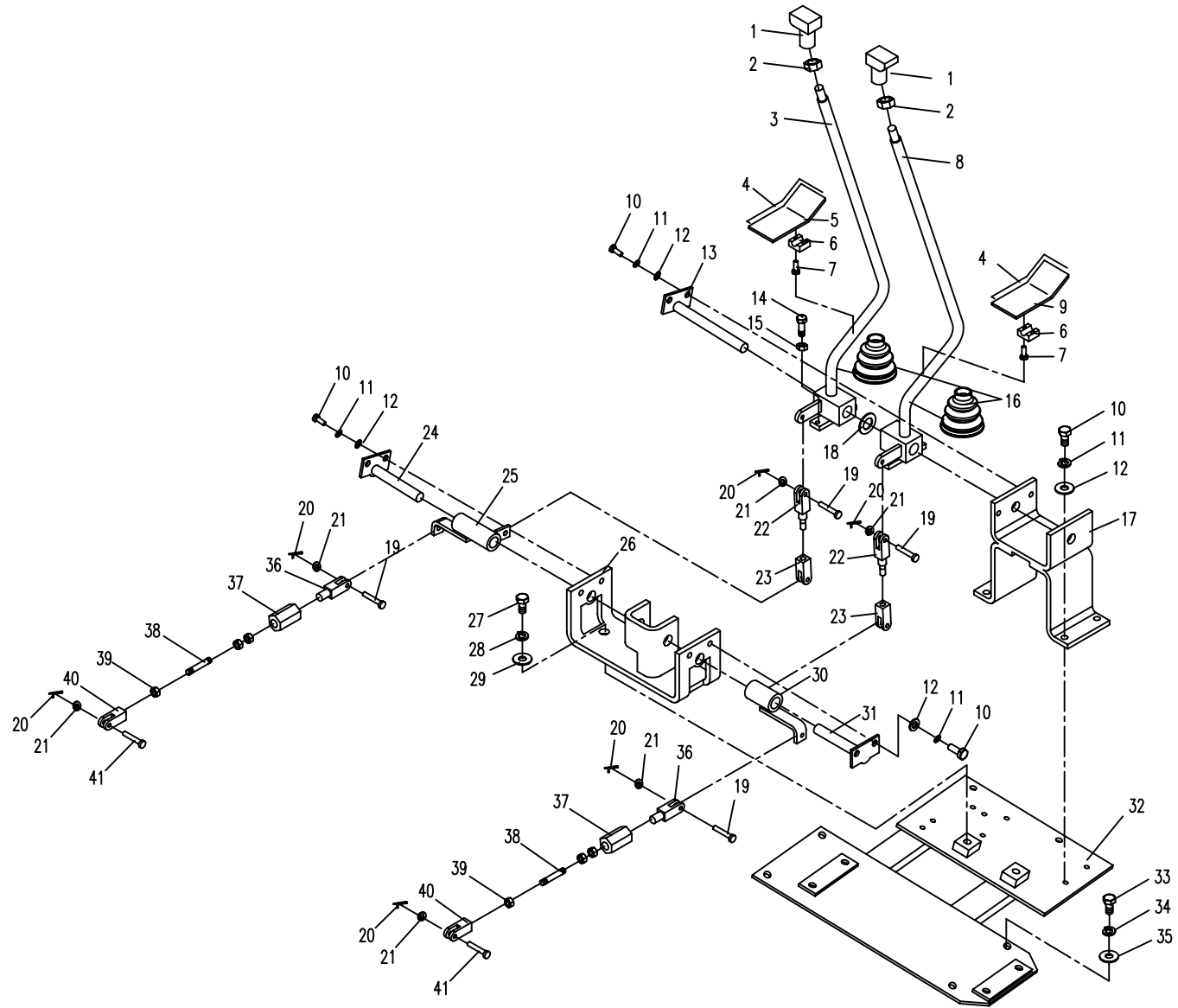
06.6.1 行走操纵(适用825E01,825E02机型) HOOF FRAMEWORK(APPLY TO 825E01,825E02 TYPE)

序号 No.	数量 Quantity	代号 Code	名称 Description		备注 Remark
1	2	810-0620000A	手柄头	Handle ball	
2	2	M12 GB/T6172	六角薄螺母	Nut	8-Zn.D
3	1	830D-0623000	左操纵总成	Left travelling control assembly	
4	2	830D-0620015	胶踏板	Rubber footplate	
5	1	830D-0652000	左踏板	Left footplate	
6	2	830D-0620016	卡板	Clip plank	
7	4	M8×20 GB/T5789	六角法兰面螺栓	Bolt	8.8-Zn.D
8	1	830D-0624000	右操纵总成	Right travelling control assembly	
9	1	830D-0651000	右踏板	Right footplate	
10	13	M8×16 GB/T5781	六角头螺栓	Bolt	8.8-Zn.D
11	13	8 GB/T93	弹簧垫圈	Spring washer	Zn.D
12	13	8 GB/T97.1	平垫圈	Washer	Zn.D
13	1	830D-0614000	行走固定轴	Stepped stationary shaft	
14	4	M6×25 GB/T5781	六角头螺栓	Bolt	8.8-Zn.D
15	4	M6 GB/T6170	型六角螺母	Nut	8-Zn.D
16	2	818B-0620004	防尘套	Dust sleeve	
17	1	830D-0621000	支承架	Supporting plank	
18	1	810-0600009	垫圈	Washer	
19	6	6×24 GB/T882	销轴	Pin	Zn.D
20	6	2×12 GB/T91	开口销	Cotter pin	Zn.D
21	8	6 GB/T97.1	平垫圈	Washer	Zn.D
22	2	830D-0620004	连接叉III	Connecting fork □	
23	2	830D-0620002	连接叉I	Connecting fork I	
24	1	830D-0631000	左固定轴	Left stationary shaft	
25	1	830D-0622000	左操纵轴总成	Left sleeve assembly	
26	1	830D-0626000	支架	Supporting plank	
27	2	M12×25 GB/T5781	六角头螺栓	Bolt	8.8-Zn.D
28	2	12 GB/T93	弹簧垫圈	Spring washer	Zn.D

06.6.1 行走操纵(适用825E01,825E02机型) HOOF FRAMEWORK(APPLY TO 825E01,825E02 TYPE)



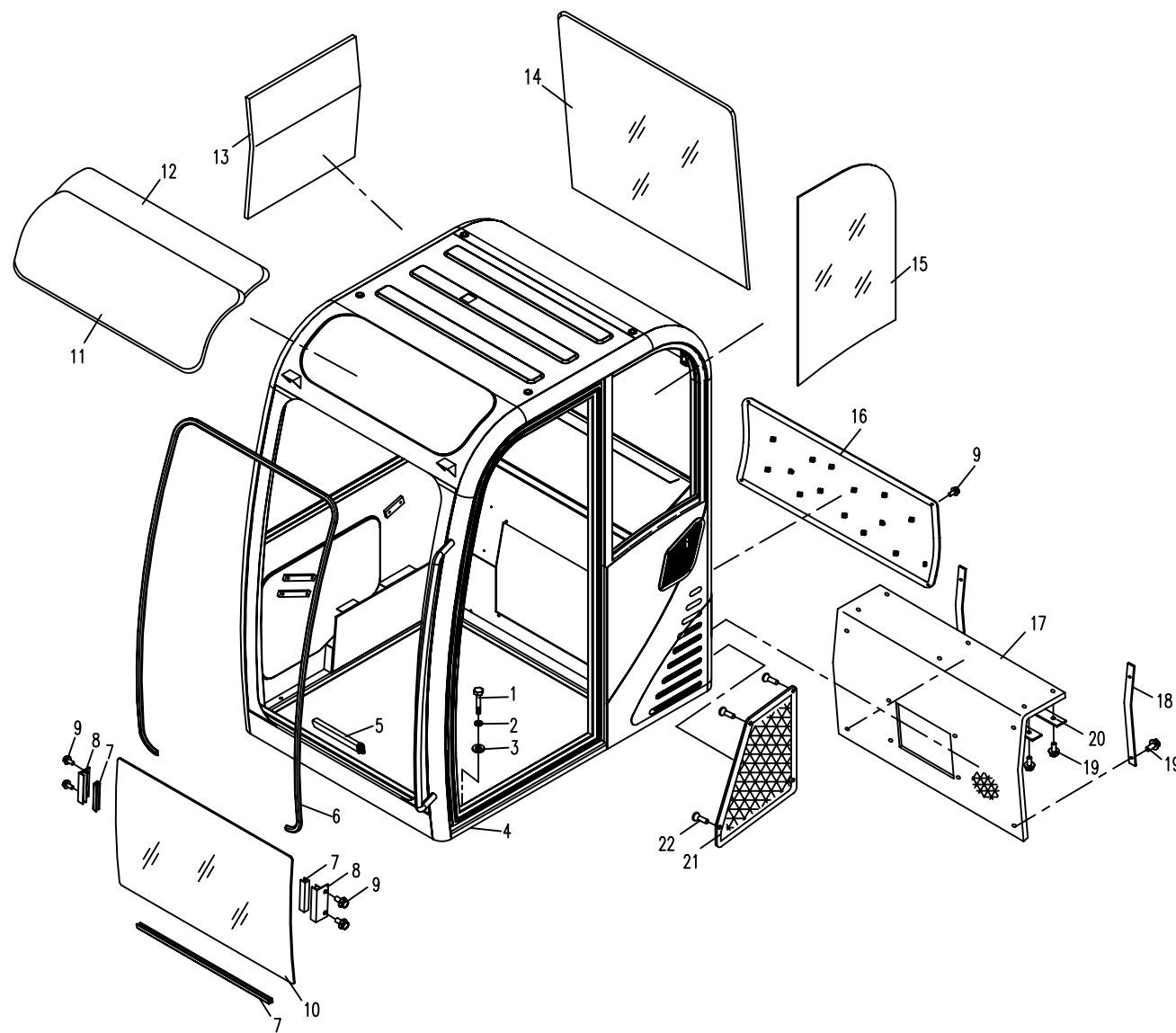
06.6.1 行走操纵(适用825E01,825E02机型) HOOF FRAMEWORK(APPLY TO 825E01,825E02 TYPE)



07.1.1 驾驶室组件 1 (适用825E01,825E02机型) CAB SUBASSEMBLY 1 (APPLY TO 825E01,825E02 TYPE)

序号 No.	数量 Quantity	代号 Code	名称 Description		备注 Remark
1	4	M16×55 GB/T5783	六角头螺栓	Bolt	10.9-达克罗
2	4	16 GB/T93	弹簧垫圈	Spring washer	Zn.D
3	4	16 GB/T96	大垫圈	Washer	Zn.D
4	1	830T-0701000	驾驶室主体	Main body of cab	
5	0.87m	801-0700016	密封条	Rubber seal strip	
6	1	853D-0700051	前密封胶条	Rubber seal strip	
7	1.07m	830D-0700044	下窗缓冲胶条	Rubber seal strip	
8	2	830H-0711000	玻璃安装板	Glass mounting plate	
9	4	M6×12 GB/T5789	六角法兰面螺栓	Bolt	
10	1	853D-0700002	前下窗玻璃	Front-lower window glass	
11	1	853D-0700009	前顶窗玻璃	Transom window glass	
12	2.2m	830D-0700038	胶条	Rubber seal strip	
13	1	830H-0700016	右外侧隔热板	Heat insulating plate	
14	1	853D-0700006	后窗玻璃	Rear window glass	
15	1	853D-0700001	左后侧窗玻璃	Left-rear window glass	
16	1	853D-0710000	后封板组件	Back cover	
17	1	830H-0700015	隔热板	Adiabatic board	
18	2	830H-0700014	压板	Clamp board	
19	14	M8×35 GB/T5789	六角法兰面螺栓	Bolt	8.8-Zn.D
20	2	830D-0700005A	压板	Clamp board	
21	1	853D-0705000	进气滤网	Air inlet screw	
22	4	M6×8 GB/T819.2	十字槽沉头螺钉	Bolt	

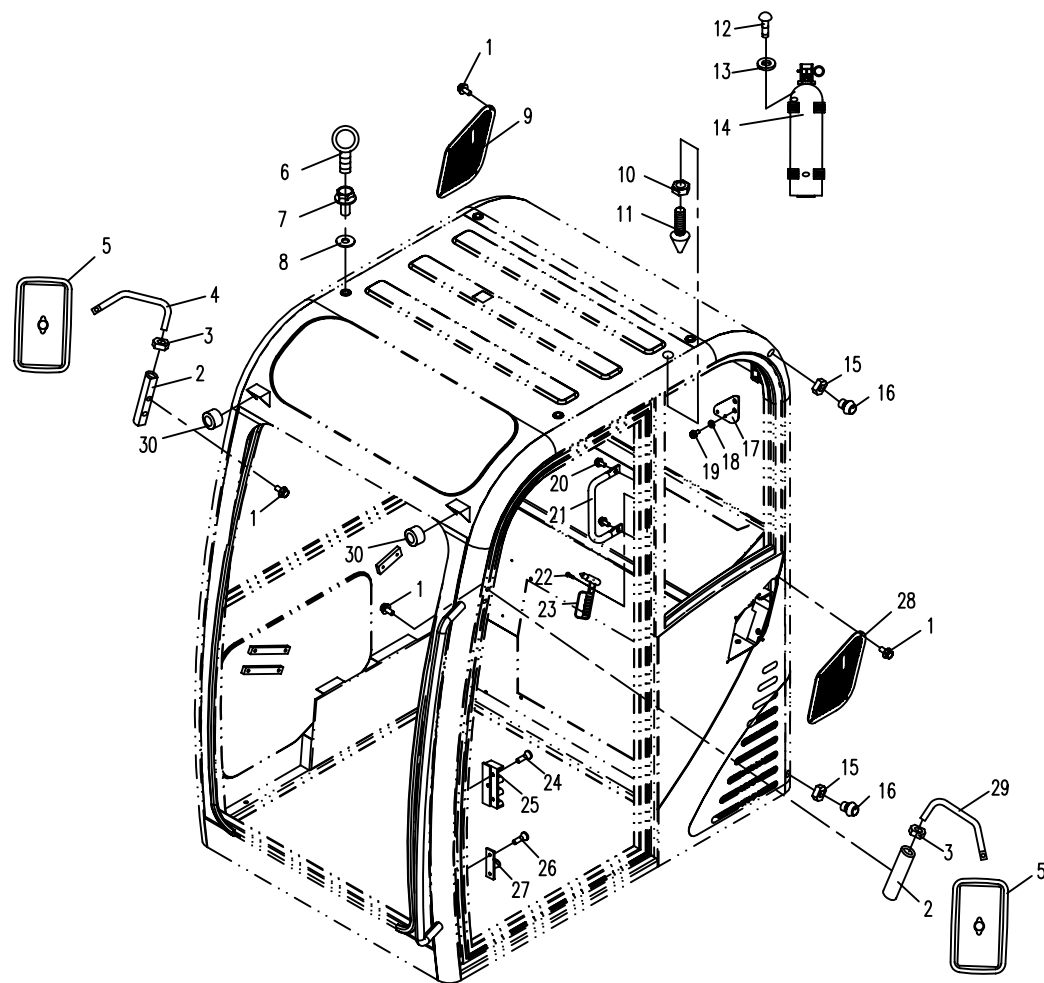
07.1.1 驾驶室组件 1 (适用825E01,825E02机型) CAB SUBASSEMBLY 1 (APPLY TO 825E01,825E02 TYPE)



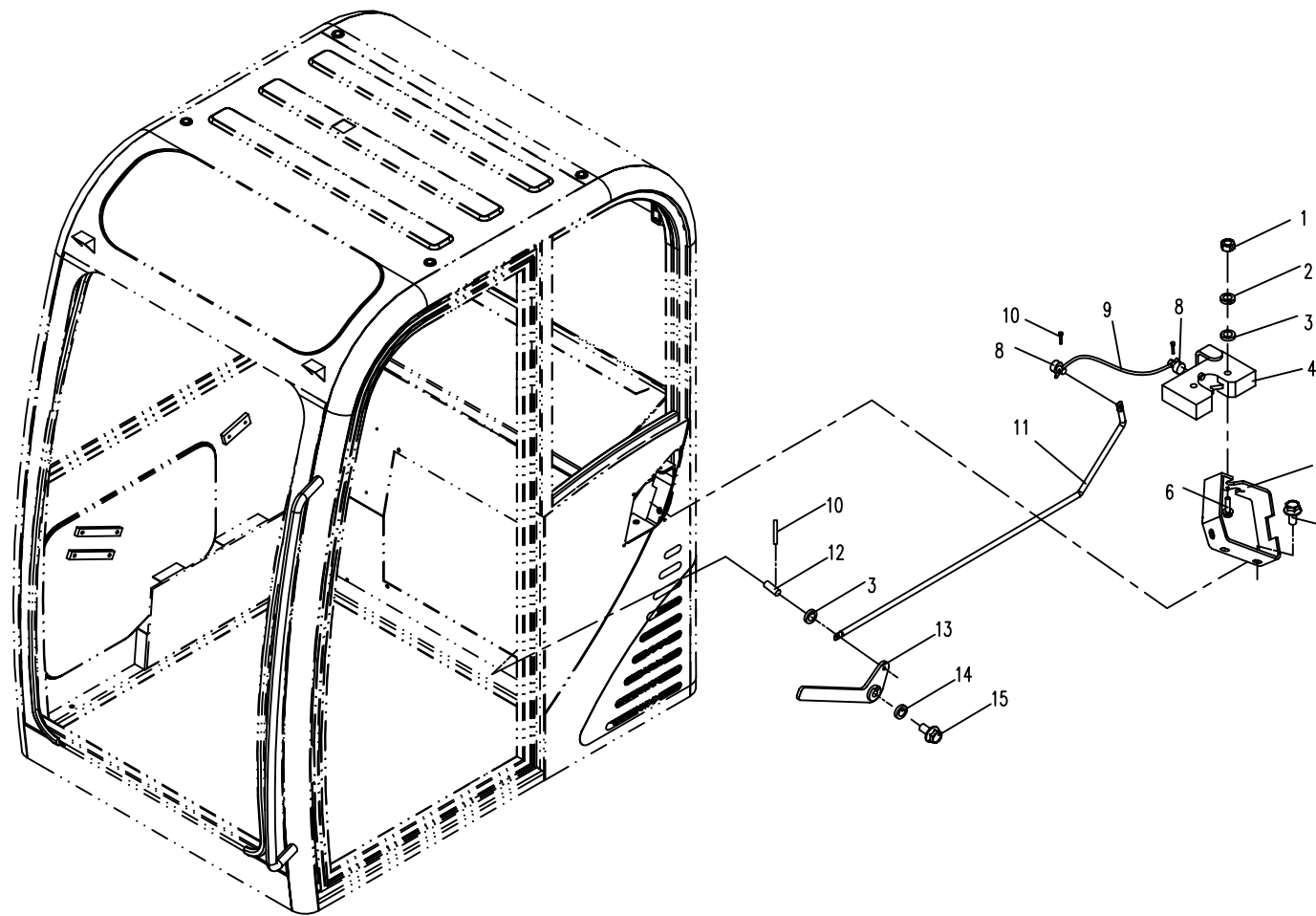
07.2.1 驾驶室组件 2 (适用825E01,825E02机型) CAB SUBASSEMBLY 2 (APPLY TO 825E01,825E02 TYPE)

序号 No.	数量 Quantity	代号 Code	名称 Description		备注 Remark
1	12	M6×12 GB/T5789	六角法兰面螺栓	Bolt	8.8-Zn.D
2	2	830E-0700014	固定杆	Fixing Pole	
3	2	830E-0700012	锁紧螺母	Blocking nut	
4	1	830E-0700013	后视镜右支杆	Right bracket	
5	2	830E-0700003	后视镜	Rearview mirror	
6	4	M16 GB/T825	吊环螺钉	Eye bolt	
7	4	M16×20 GB/T5789	六角法兰面螺栓	Bolt	8.8-Zn.D
8	4	860-0700014	垫片	Washer	
9	1	830D-0709000A	右侧盖板组件	Right cover assembly	
10	2	820-0703000	橡胶座	Rubber pedestal	
11	2	M12 GB/T 6170	型六角螺母	Nut	8-Zn.D
12	2	ST4.8×13 GB/T845	十字槽盘头自攻螺钉	Bolt	8.8-Zn.D
13	2	5 GB/T97.1	平垫圈	Washer	Zn.D
14	1	830D-0713000	灭火器	Fire extinguisher	
15	2	M10 GB/T 6170	型六角螺母	Nut	8-Zn.D
16	2	801-0704000	橡胶座	Rubber pedestal	
17	1	830H-0700008	风扇支座	Fan bracket	
18	2	8 GB/T96	大垫圈	Big washer	
19	2	M8×20 GB/T5789	六角法兰面螺栓	Bolt	8.8-Zn.D
20	2	M8×35 GB/T5789	六角法兰面螺栓	Bolt	8.8-Zn.D
21	1	830H-0700007	内扶手	Armrest	
22	2	ST4.2×13 GB/T845	十字槽盘头自攻螺钉	Bolt	8.8-Zn.D
23	1	830H-0700012	逃生锤	Lifesaving hammer	
24	2	M5×8 GB/T819.1	十字槽沉头螺钉	Bolt	8.8-Zn.D
25	1	810S-0700016	限位□	Restriction	
26	2	M8×14 GB/T2673	内六角花形沉头螺钉	Bolt	10.9 达克罗
27	1	830H-0709000	门锁扣	Door snapclose	
28	1	853D-0707000A	左侧盖板组件	Left cover assembly	
29	1	830E-0700011	后视镜左支杆	Left bracket	
30	2	830E-0700015	橡胶圈	Rubber ring	

07.2.1 驾驶室组件 2 (适用825E01,825E02机型) CAB SUBASSEMBLY 2 (APPLY TO 825E01,825E02 TYPE)



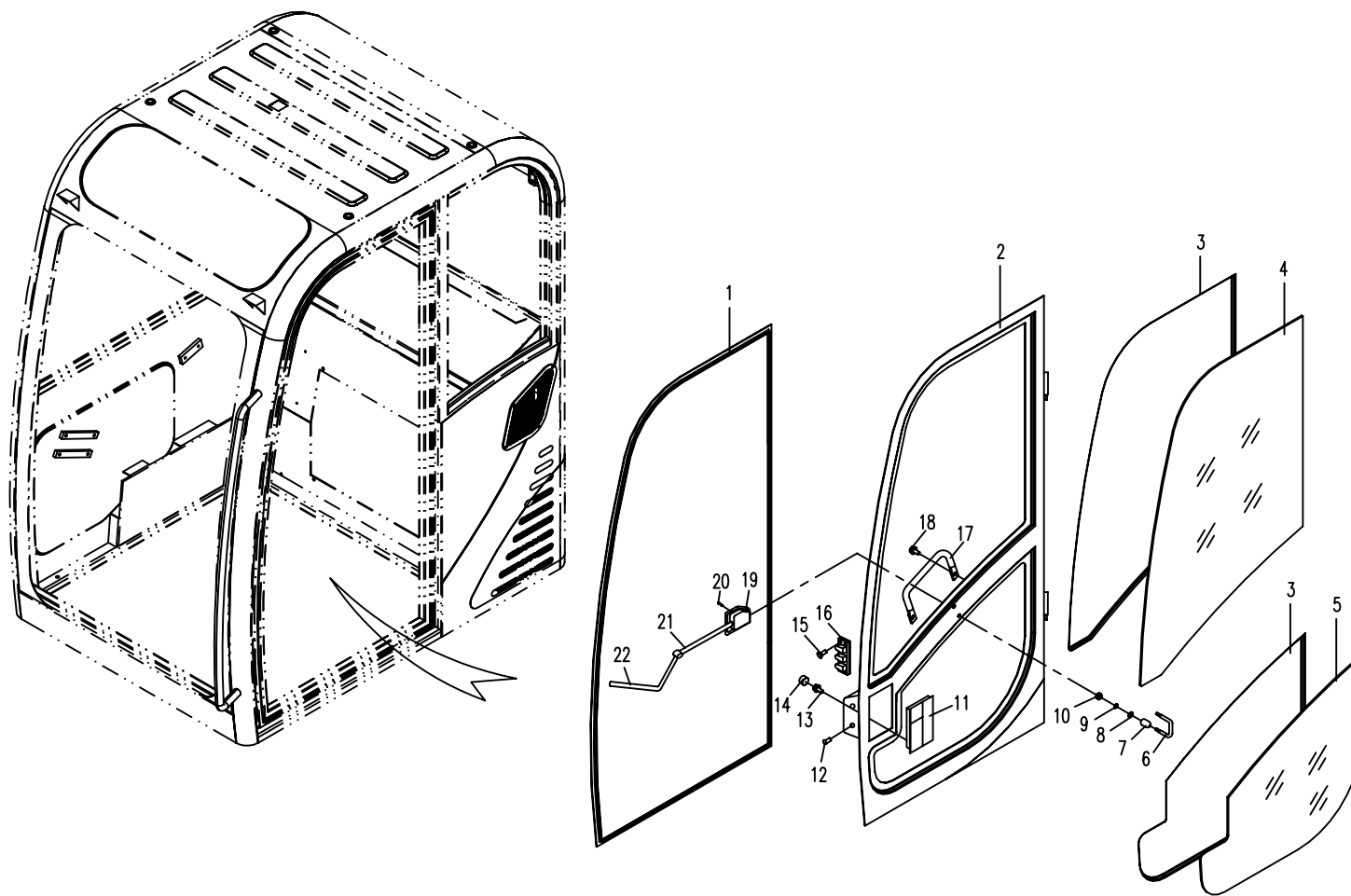
07.3.1 驾驶室门碰锁装置(适用825E01,825E02机型) CAB DOOR LATCH LOCK INSTALLATION (APPLY TO 825E01,825E02 TYPE)



07.4.1 驾驶室组件门 (适用825E01, 825E02机型) CAB DOOR ASSEMBLY (APPLY TO 825E01, 825E02 TYPE)

序号 No.	数量 Quantity	代号 Code	名称 Description		备注 Remark
	1	853D-0703000	门组件	Cab door	
1	1	830H-0703001	门密封胶条	Rubber seal strip	
2	1	853D-0703100	门主体	Main body-Door	
3	2m	830H-0703008	胶条	Rubber seal strip	
4	1	853D-0703002	门上玻璃	Glass of door	
5	1	853D-0703007	门下玻璃	Glass of door	
6	1	860-0702009	锁钩	Locking knob	
7	2	860-0702011A	圆套	Bush	
8	2	8 GB/T97.1	平垫圈	Washer	Zn.D
9	2	8 GB/T93	弹簧垫圈	Spring washer	Zn.D
10	2	M8 GB/T6170	1型六角螺母	Nut	8.8-Zn.D
11	1	860-0702003	门锁	Door lock	
12	3	M6×10 GB/T818	十字槽盘头螺钉	Bolt	8.8-Zn.D
13	4	M6×25 GB/T5789	六角法兰面螺栓	Bolt	8.8-Zn.D
14	4	830H-0703011	胶塞	Rubber plug	
15	6	M5×10 GB/T819.1	十字槽沉头螺钉	Bolt	8.8-Zn.D
16	1	810S-0700015	限位 □	Bumper □	
17	1	853D-0703012	门内扶手	Inside armrest	
18	2	M8×16 GB/T5789	六角法兰面螺栓	Bolt	8.8-Zn.D
19	1	855-0702005	内拉手	Inside knob	
20	2	M5×16 GB/T70.1	内六角圆柱头螺钉	Bolt	8.8-Zn.D
21	1	830D-0700015A	拉杆 □	Push shaft II	
22	1	830H-0700004	拉杆	Push shaft	

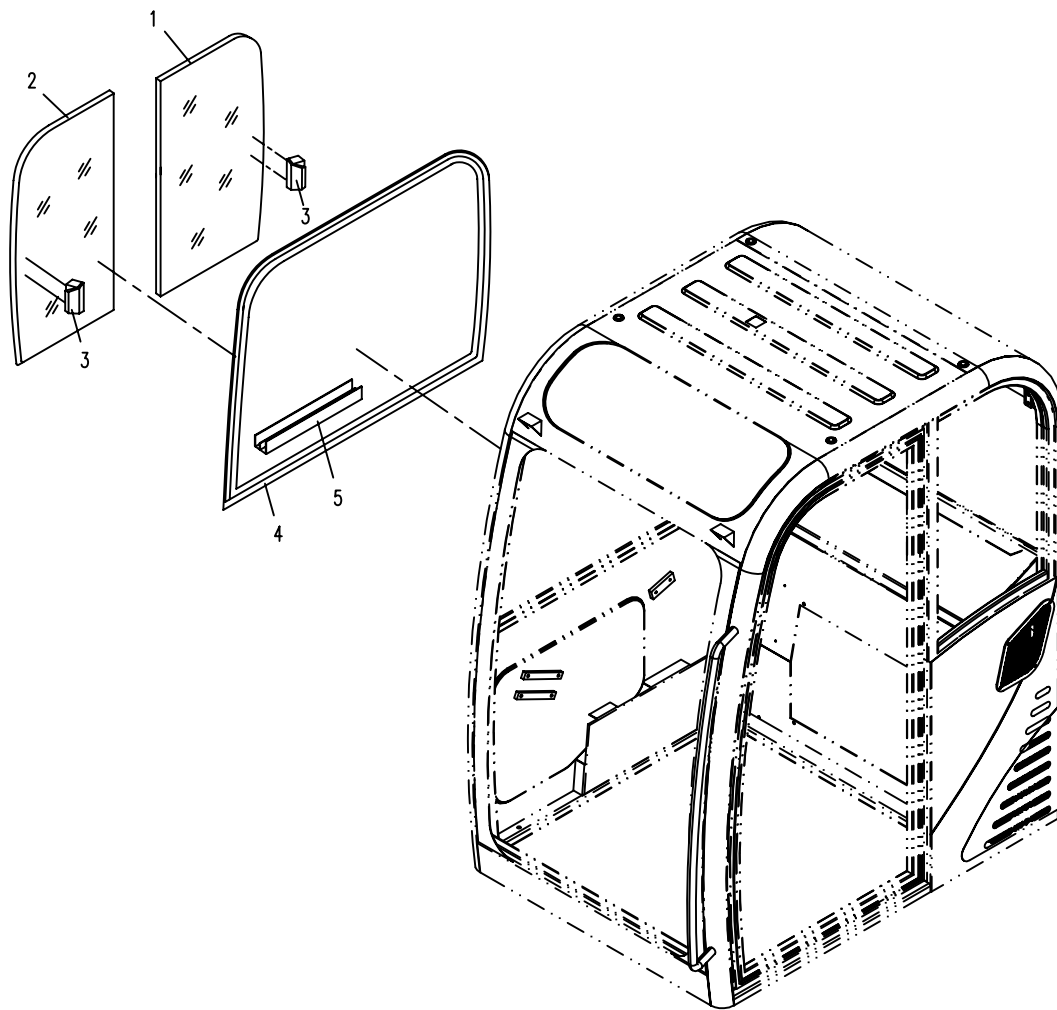
07.4.1 驾驶室组件门 (适用825E01, 825E02机型) CAB DOOR ASSEMBLY (APPLY TO 825E01, 825E02 TYPE)



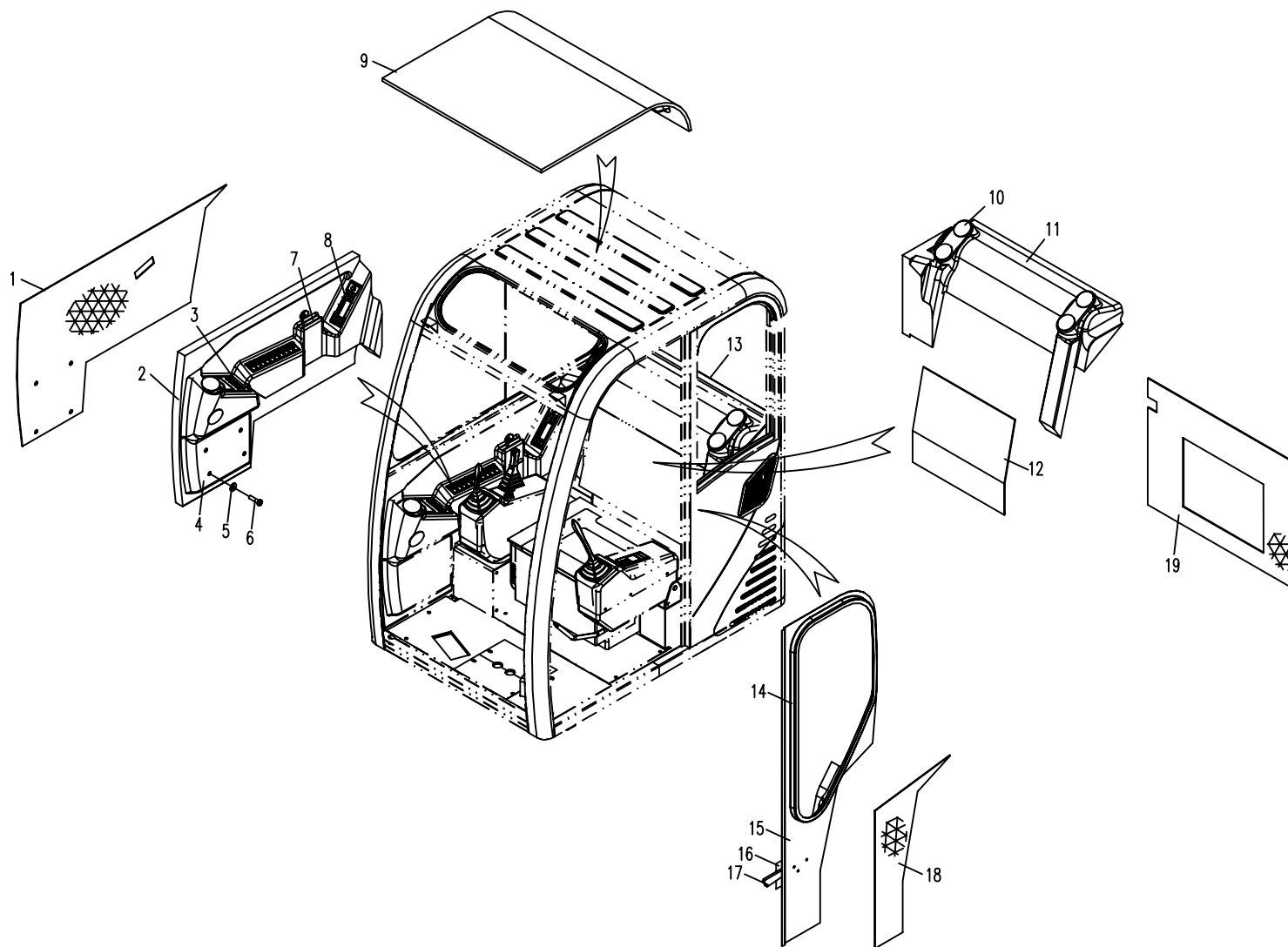
07.5.1 驾驶室翻转窗组件(适用825E01, 825E02机型) CAB OVERTURN WINDOW ASSEMBLY (APPLY TO 825E01, 825E02 TYPE)

序号 No.	数量 Quantity	代号 Code	名称 Description		备注 Remark
1	10	M8×16 GB/T5789	六角法兰面螺栓	Bolt	8.8-Zn.D
2	1	830H-0702050	右摆杆支架	Bracket-RH	
3	1	830H-0705000	右摆杆	Right sinister	
4	2	8 GB/T96	大垫圈	Bigger washer	
5	2	M8×12 GB/T5789	六角法兰面螺栓	Bolt	8.8-Zn.D
6	1	830H-0702010	左摆杆支架	Bracket-LH	
7	1	830H-0704000	左摆杆	Lift sinister	
8	2	830H-0700011	气弹簧	Pneumatic spring	
9	2	830H-0700013	气弹簧紧固销	Pin	
10	4	M8 GB/T6170	1型六角螺母	Nut	8-Zn.D
11	2	830H-0702003	滑轮	Block	
12	1	830H-0702040	右滑轮支架	Block bracket-RH	
13	1	830H-0702030	左滑轮支架	Block bracket-LH	
14	1	853D-0702100	翻转窗主体	Overturn window frame	
15	1	830D-0700042	右扶手锁	Right handrail lock	
16	6	M6×12 GB/T2671.1	内六角螺钉	Bolt	8.8-Zn.D
17	1	830D-0700043	左扶手锁	Left handrail lock	
18	1	830H-0702020	雨刮电机固定板	Fixing plate	
19	1	830H-0702002	电机罩	Cover	
20	2	6 GB/T93	弹簧垫圈	Spring washer	
21	1	853D-0702001	翻转窗玻璃	Glass	
22	1	830H-0702004	翻转窗下胶条	Rubber cushion	

07.6.1 驾驶室移动窗组件(适用825E01,825E02机型) CAB MOVING WINDOW SUBASSEMBLY (APPLY TO 825E01, 825E02 TYPE)



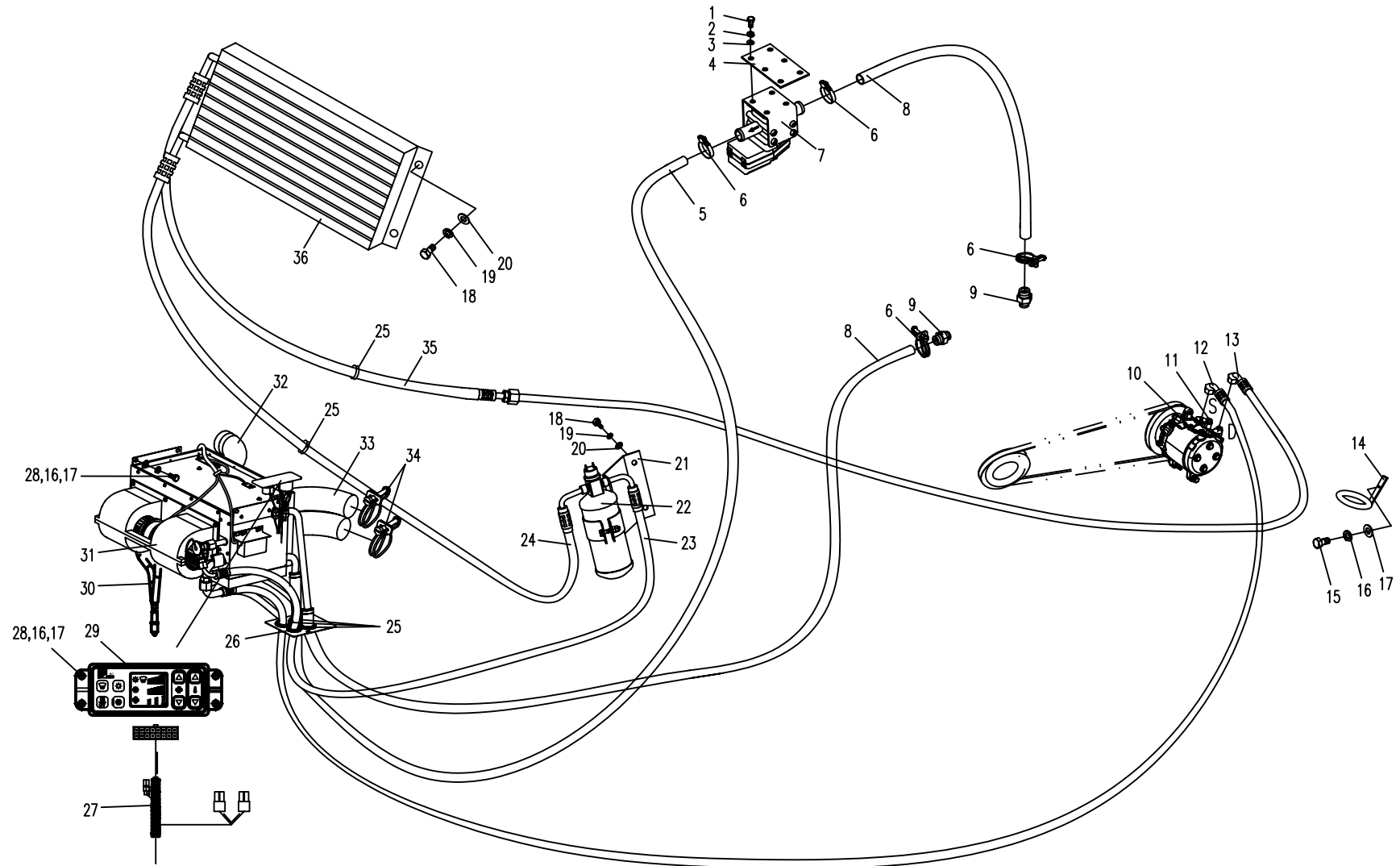
07.7.1 驾驶室内饰总成 (适用825E01,825E02机型) CAB INTERIOR DECORATIONS ASSEMBLY (APPLY TO 825E01,825E02 TYPE)



08.1.1 空调系统(适用825E01机型) AIR-CONDITION SYSTEM(APLLY TO 825E01 TYPE)

序号 Nb.	数量 Quantity	代号 Code	名称 Description		备注 Remark
1	4	M5×16 GB/T5783	六角头螺栓	Bolt	8.8-Zn.D
2	4	5 GB/T 97.1	平垫圈	Washer	
3	4	5 GB/T 93	弹簧垫圈	Spring washer	
4	1	860G-0800002	暖水阀安装板	Bracket	
5	1	850-0800001	暖水管 □	Warm water pipe □	
6	6	d24 Q672	双钢丝式环箍	Hoop	Zn.D
7	1	860G-0801200	热水流量控制器组件	Flux control hot water	
8	2	830H-0820005	暖水管	Water pipe	
9	2	850-0800004	管接头	Joint	
10	1	830H-0820200	压缩机总成	Compressor assembly	
11	2	M8×35 GB/T5789	六角法兰面螺栓	Bolt	8.8-Zn.D
12	1	830T-0820004	吸气软管总成	Inspiration pipe assembly	
13	1	830H-0820002	排气软管总成	Vent-pipe assembly	
14	1	850-0801002	管夹	Pipe clamp	
15	5	M6×30 GB/T5783	六角头螺栓	Bolt	8.8-Zn.D
16	9	6 GB/T 97.1	平垫圈	Washer	
17	9	6 GB/T 93	弹簧垫圈	Spring washer	
18	6	M8×20 GB/T5783	六角头螺栓	Bolt	8.8-Zn.D
19	6	8 GB/T93	弹簧垫圈	Spring washer	Zn.D
20	6	8 GB/T96	大垫圈	Bigger washer	Zn.D
21	1	830H-0802000	支架组件	Bracket	
22	1	830D-0801600	干燥瓶总成	Desiccator assembly	
23	1	850-0801300	干燥瓶出口管总成	Desiccator exit pipe	
24	1	830H-0820003	冷凝器出口管总成	Desiccator exit pipe	
25	5	830D-0801001	大密封圈	Seal ring	
26	1	830D-0801006	胶管密封圈	Seal ring	
27	1	830H-0820500	空调线束总成	Air-condition cable	
28	4	M6×20 GB/T5783	六角头螺栓	Bolt	8.8-Zn.D

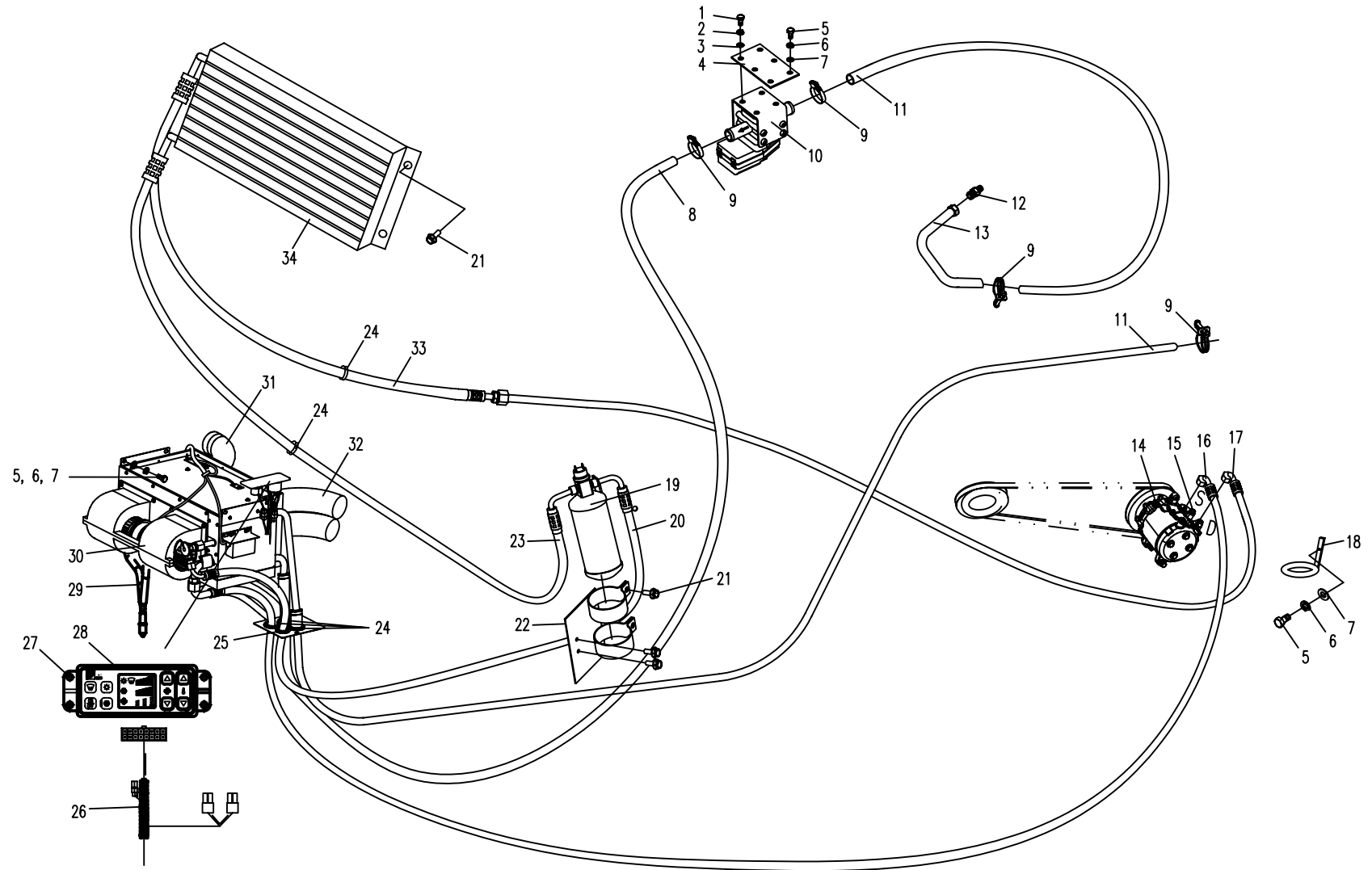
08.1.1 空调系统(适用825E01机型) AIR-CONDITION SYSTEM(APLLY TO 825E01 TYPE)



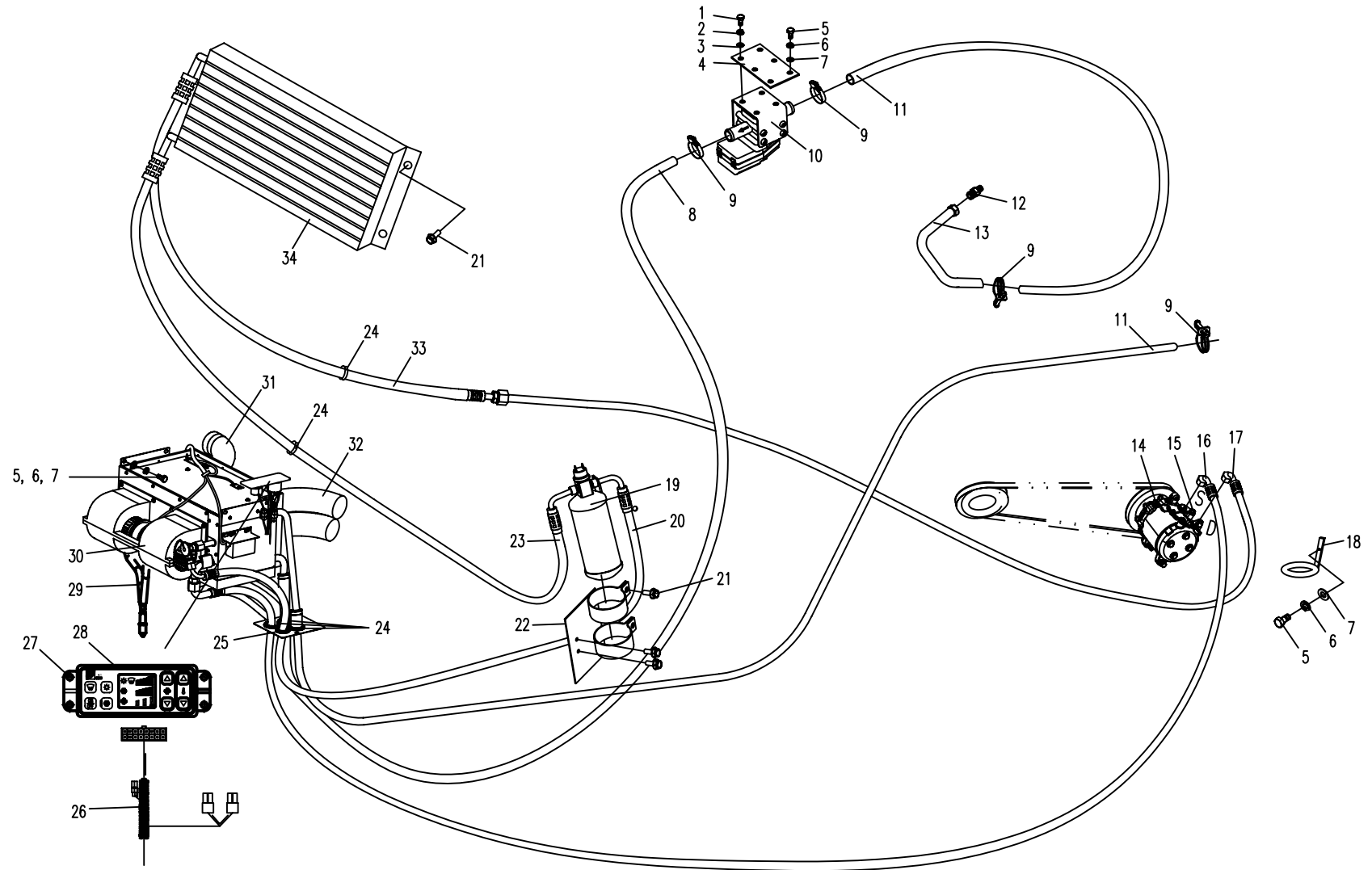
08.1.2 空调系统(适用825E02机型) AIR-CONDITION SYSTEM(APLLY TO 825E02 TYPE)

序号 No.	数量 Quantity	代号 Code	名称 Description		备注 Remark
1	4	M5×16 GB/T5783	六角头螺栓	Bolt	8.8-Zn.D
2	4	5 GB/T 97.1	平垫圈	Washer	
3	4	5 GB/T 93	弹簧垫圈	Spring washer	
4	1	860G-0800002	暖水阀安装板	Bracket	
5	7	M6×30 GB/T5783	六角头螺栓	Bolt	8.8-Zn.D
6	7	6 GB/T 97.1	平垫圈	Washer	
7	7	6 GB/T 93	弹簧垫圈	Spring washer	
8	1	850-0800001	暖水管 □	Warm water pipe □	
9	6	d24 Q672	双钢丝式环箍	Hoop	Zn.D
10	1	860G-0801200	热水流量控制器组件	Flux control hot water	
11	2	830H-0820005	暖水管	Water pipe	
12	1	820-0912004	管接头	Joint	
13	1	810B-1501100A	暖水管弯接头	Toggle joint	
14	1	830H-0820200	压缩机总成	Compressor assembly	
15	2	M8×35 GB/T5789	六角法兰面螺栓	Bolt	8.8-Zn.D
16	1	830T-0820004	吸气软管总成	Inspiration pipe assembly	
17	1	830H-0820002	排气软管总成	Vent-pipe assembly	
18	1	850-0801002	管夹	Pipe clamp	
19	1	830D-0801600	干燥瓶总成	Desiccator assembly	
20	1	850-0801300	干燥瓶出口管总成	Desiccator exit pipe	
21	6	M8×20 GB/T5789	六角法兰面螺栓	Bolt	8.8-Zn.D
22	1	853D-0800050	支架组件	Bracket	
23	1	830H-0820003	冷凝器出口管总成	Desiccator exit pipe	
24	5	830D-0801001	大密封圈	Seal ring	
25	1	830D-0801006	胶管密封圈	Seal ring	
26	1	830H-0820500	空调线束总成	Air-condition cable	
27	4	M5×20 GB/T818	十字槽盘头螺钉	Bolt	8.8-Zn.D
28	1	830H-0820400	操纵器	Manipulator	

08.1.2 空调系统(适用825E02机型) AIR-CONDITION SYSTEM(APLLY TO 825E02 TYPE)



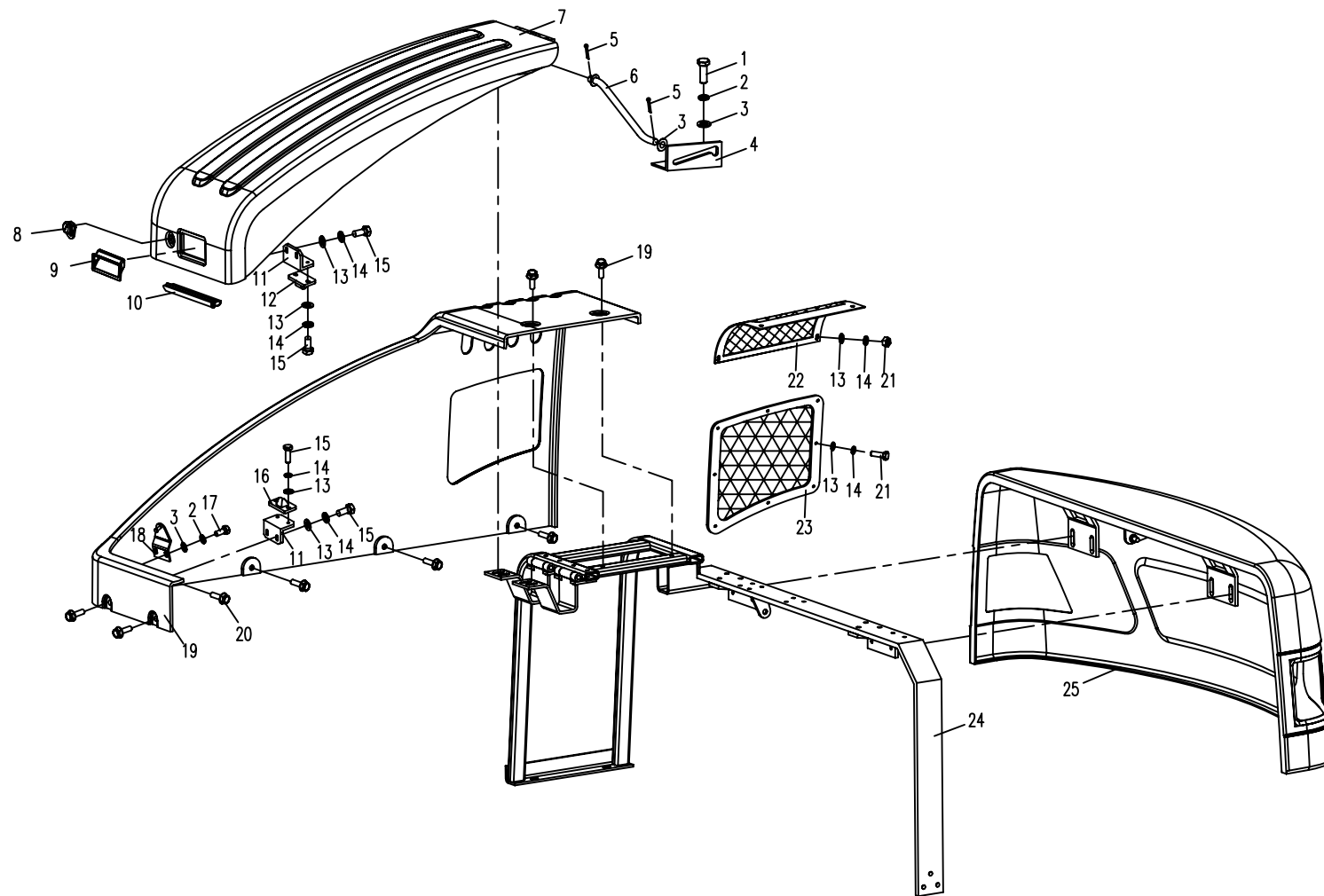
08.1.2 空调系统(适用825E02机型) AIR-CONDITION SYSTEM(APLLY TO 825E02 TYPE)



10.1.1 覆盖件总成 (适用825E01,825E02机型) COVERING ASSEMBLY (APPLY TO 825E01,825E02 TYPE)

序号 No.	数量 Quantity	代号 Code	名称 Description		备注 Remark
1	2	M8×16 GB/T 5783	六角头螺栓	Bolt	8.8-Zn.D
2	4	8 GB/T93	弹簧垫圈	Washer	Zn.D
3	6	8 GB/T97.1	平垫圈	Washer	Zn.D
4	1	835-0910001	支撑座	Hinge seat	
5	2	3×20 GB/T91	开口销	Cotter pin	
6	1	825E-1050000	支撑	Support Plate	
7	1	825E-1041000	前盖体	Front cover	
8	1	826-1057301	右前盖锁	Front-right cover lock	
9	1	853D-0900004	把手	Handle	
10	1	860B-1000015B	密封胶条	Joint strip	
11	1	856B-0928000	安装座	Soleplate	
12	1	885-1000018	定位块	Set piece	
13	8	6 GB/T97.1	平垫圈	Washer	Zn.D
14	8	6 GB/T93	弹簧垫圈	Washer	Zn.D
15	8	M6×16 GB/T5783	六角头螺栓	Bolt	8.8-Zn.D
16	1	885-1000019	定位座	Set	
17	2	M8×20 GB/T5783	六角头螺栓	Bolt	8.8-Zn.D
18	1	830P-0906000A	锁扣	Snap close	
19	1	825E-1031000A	右盖板体	Right cover plate	
20	8	M8×20 GB/T5789	六角法兰面螺栓	Bolt	8.8-Zn.D
21	12	M6×12 GB/T5783	六角头螺栓	Bolt	8.8-Zn.D
22	1	825E-1032000	右上滤网	Top right screen	
23	1	825E-1033000	右滤网	Right screen	
24	1	825E-1020000A	框架组件	Framework subassembly	展开见10.3.1
25	1	825E-1010000A	发动机罩	Engie hood	展开见10.2.1

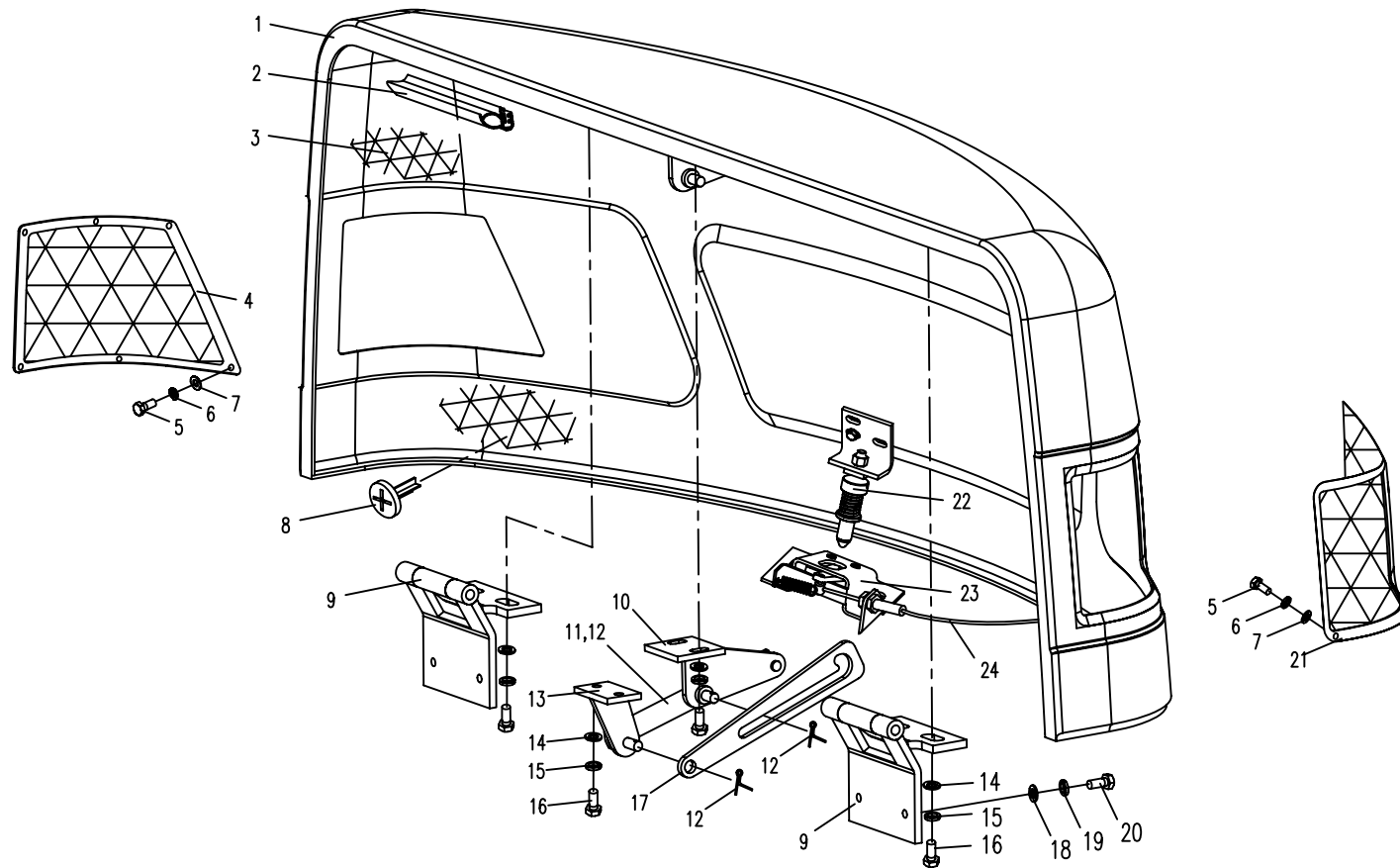
10.1.1 覆盖件总成(适用825E01,825E02机型) COVERING ASSEMBLY (APPLY TO 825E01,825E02 TYPE)



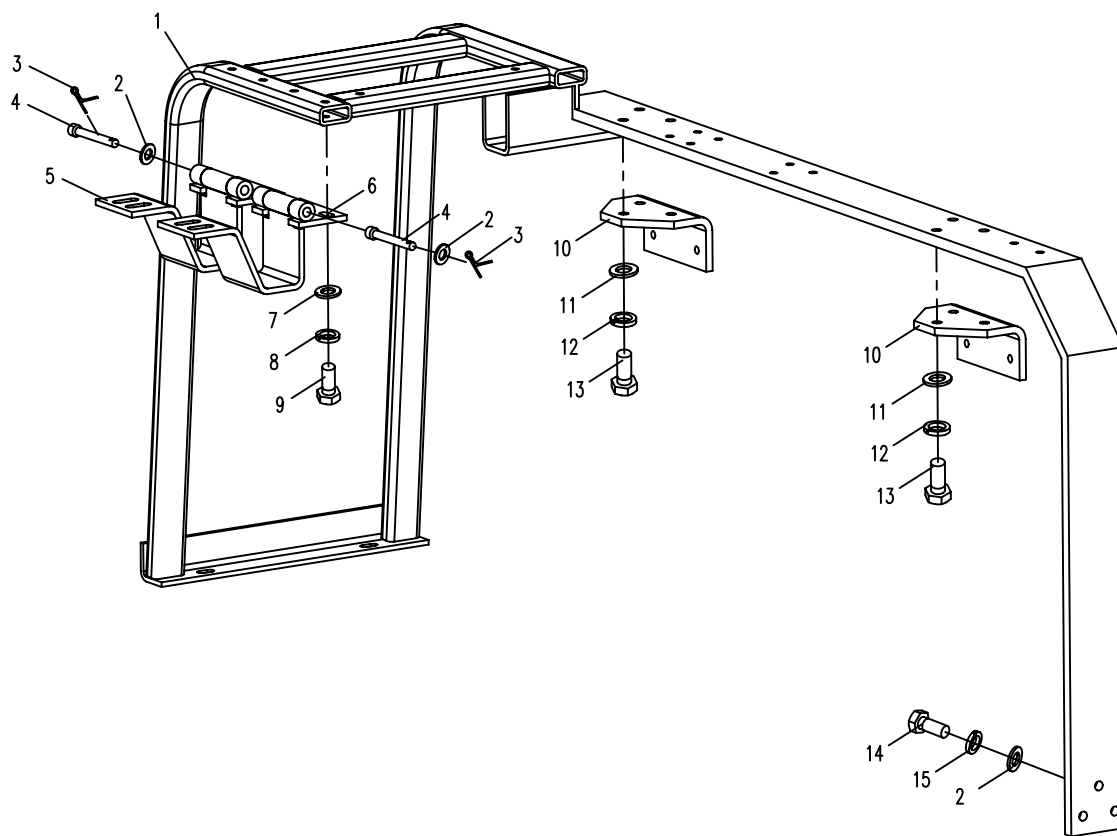
10.2.1 发动机罩(适用于825E01,825E02机型) ENGINE HOOD (APPLY TO 825E01,825E02 TYPE)

序号 No.	数量 Quantity	代号 Code	名称 Description		备注 Remark
1	1	825E-1011100A	机罩体	Engie hood	
2	3.8m	860B-1000015B	密封胶条	Joint strip	
3	1	825E-1011001A	海绵板	Sponge	
4	1	825E-1011300	右滤网	Right screen	
5	12	M6×16 GB/T5783	六角头螺栓	Bolt	8.8-Zn.D
6	12	6 GB/T93	弹簧垫圈	Washer	Zn.D
7	12	6 GB/T96.1	大垫圈	Big washer	Zn.D
8	22	830D-1010001	塑料卡钉	Plastic Nail	
9	2	825E-1013000	铰链	Hinge	
10	1	830D-1012000A	支撑	Support	
11	1	853D-1008000	气弹簧	Pneumatic support	
12	4	2×16 GB/T91	开口销	Cotter pin	Zn.D
13	1	825E-1012000	支撑	Support	
14	4	8 GB/T97.1	平垫圈	Washer	Zn.D
15	4	8 GB/T93	弹簧垫圈	Washer	Zn.D
16	4	M8×20 GB/T5783	六角头螺栓	Bolt	8.8-Zn.D
17	1	825E-1018000	支撑	Support	
18	8	12 GB/T97.1	平垫圈	Washer	Zn.D
19	8	12 GB/T93	弹簧垫圈	Washer	Zn.D
20	8	M12×25 GB/T5783	六角头螺栓	Bolt	8.8-Zn.D
21	1	825E-1011200	左滤网	Left screen	
22	1	830D-1051000	锁销组件	Lockpin assembly	展开见10.4.1
23	1	830D-1052000	锁座组件	Lock-pedestal assembly	展开见10.4.1
24	1	830D-101500	开锁装置	Control lock equipment	展开见10.4.1

10.2.1 发动机罩(适用于825E01,825E02机型) ENGINE HOOD (APPLY TO 825E01,825E02 TYPE)



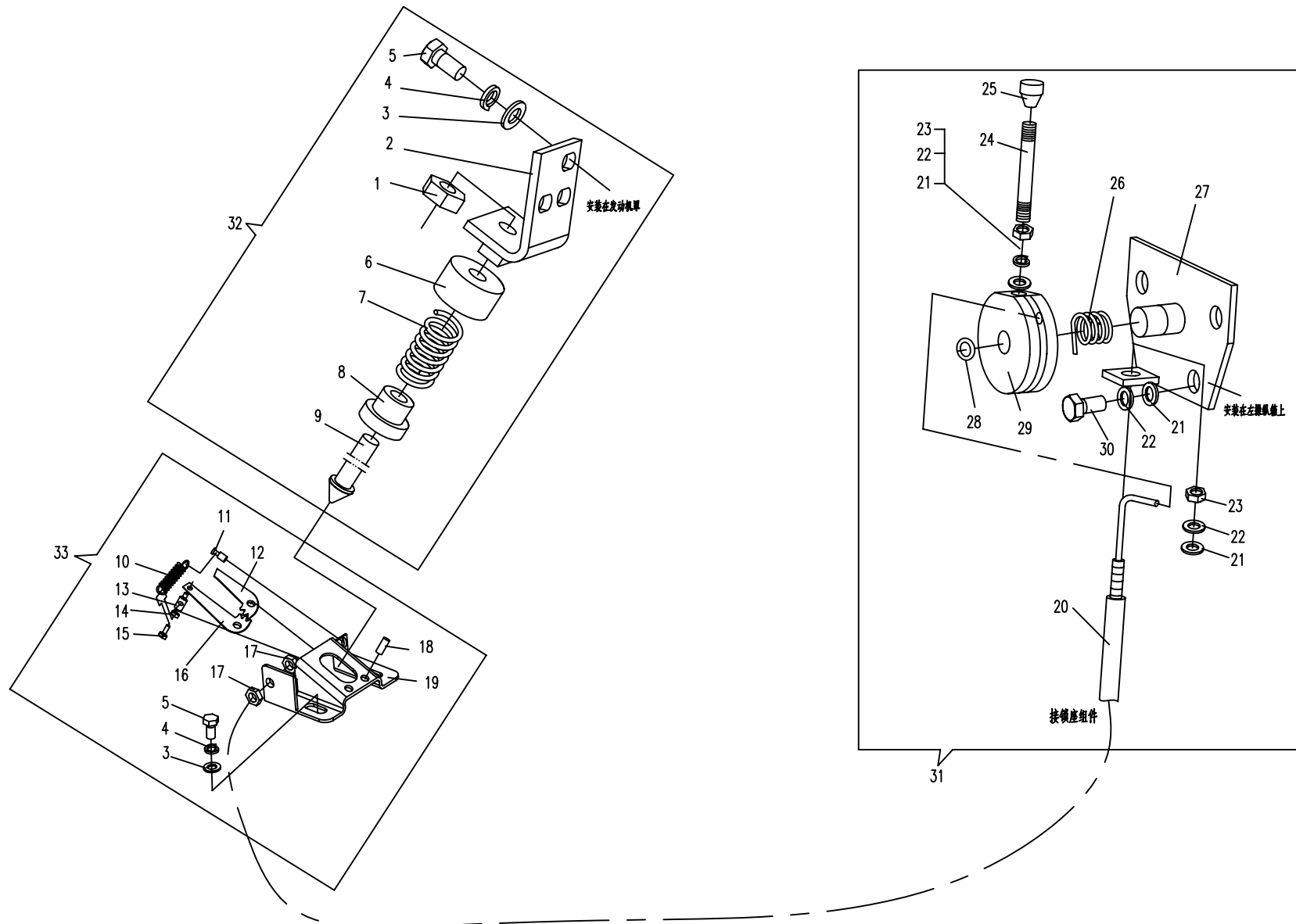
10.3.1 框架组件(适用于825E01,825E02机型) FRAMEWORK SUBASSEMBLY (APPLY TO 8825E01,825E02 TYPE)



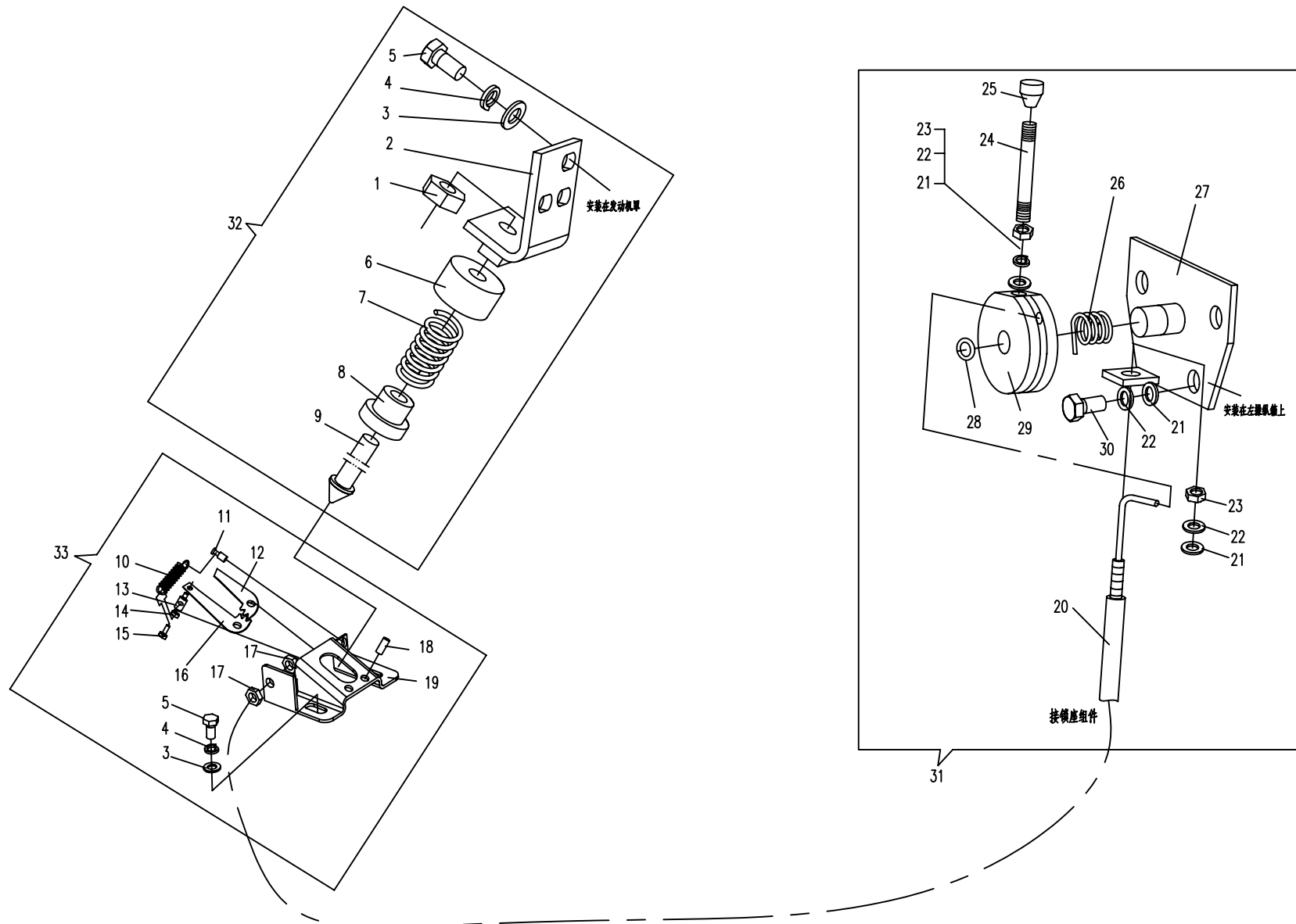
10.4.1 发动机罩锁装置(适用于825E01,825E02 机型) ENGINE HOOD LOCK EQUIPMENT (APPLY TO 825E01,825E02 TYPE)

序号 No.	数量 Quantity	代号 Code	名称 Description		备注 Remark
1	1	M12 GB/T6170	1型六角螺母	Nut	8-Zn.D
2	1	830D-1014200	锁销座	Lock pin pedestal	
3	5	10 GB/T97.1	平垫圈	Washer	Zn.D
4	5	10 GB/T93	弹簧垫圈	Spring washer	Zn.D
5	5	M10×20 GB/T5783	六角头螺栓	Bolt	8.8-Zn.D
6	1	830D-1014003	螺母	Nut	
7	1	830D-1014004	弹簧	Spring	
8	1	830D-1014005	弹簧座	Spring pedestal	
9	1	830D-1014002	锁销	Lockpin	
10	1	830D-1014001	拉簧	Tension spring	
11	1	830D-1014103	销轴	Shaft pin	
12	1	830D-1014104	右卡板	Right check plate	
13	1	830D-1014101	软轴固定销	Immoble pin	
14	1	M5 GB/T6170	1型六角螺母	Nut	8-Zn.D
15	1	M5×16 GB/T5783	六角头螺栓	Bolt	8.8-Zn.D
16	1	830D-1014105	左卡板	Left check plate	
17	2	M10×1 GB/T 6172.1	六角薄螺母	Nut	8-Zn.D
18	2	830D-1014102	转轴	Rotational pin	
19	1	830D-1014110	座	Pedestal	
20	1	830D-1015200	软管组件	Soft-pipe subassembly	
21	5	8 GB/T97.1	平垫圈	Washer	Zn.D
22	5	8 GB/T93	弹簧垫圈	Spring washer	Zn.D
23	2	M8 GB/T6170	型六角螺母	Nut	8-Zn.D
24	1	830D-1015003	手柄	Handle	
25	1	801-1206200	手柄头	Handle ball	
26	1	830D-1015001A	扭簧	Torsion spring	
27	1	830P-1004100	转盘座	Turntable pedestal	
28	1	9 GB/T894.1	轴用弹性挡圈	Closing ring	

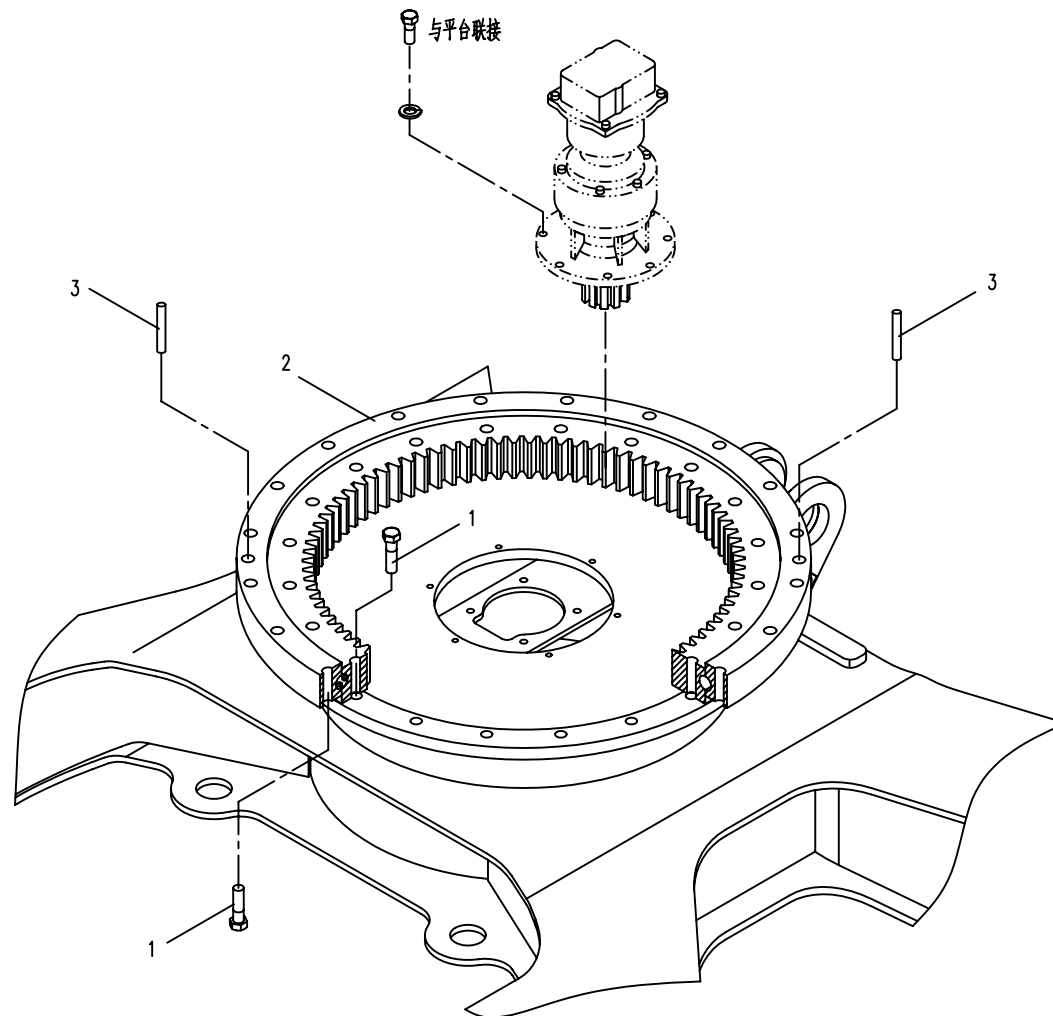
10.4.1 发动机罩锁装置(适用于825E01,825E02 机型) ENGINE HOOD LOCK EQUIPMENT (APPLY TO 825E01,825E02 TYPE)



10.4.1 发动机罩锁装置(适用于825E01,825E02 机型) ENGINE HOOD LOCK EQUIPMENT (APPLY TO 825E01,825E02 TYPE)



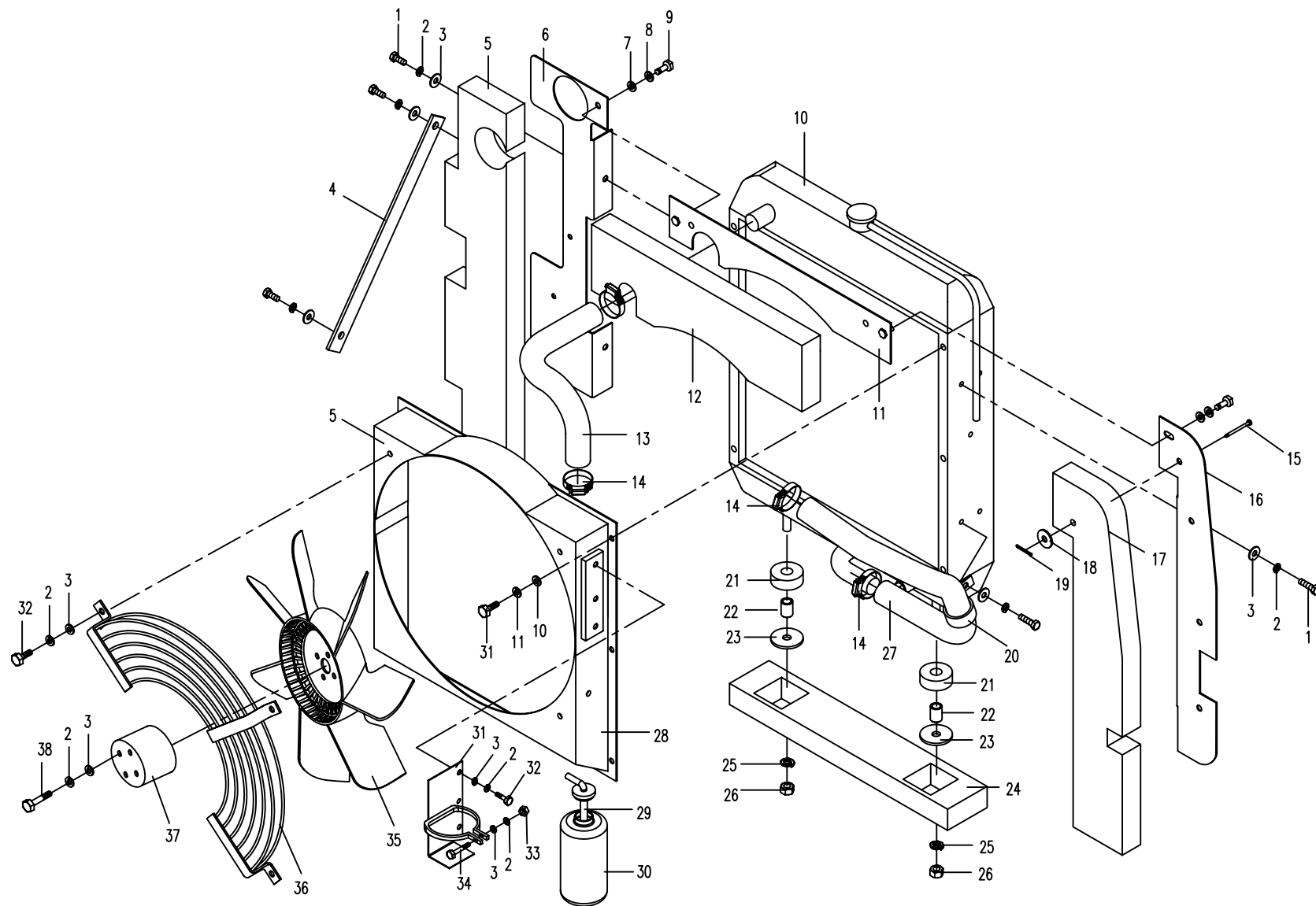
11.1.1 回转支承(适用825E01、825E02机型) SLEWING SUPPORT (APPLY TO 825E01,825E02 TYPE)



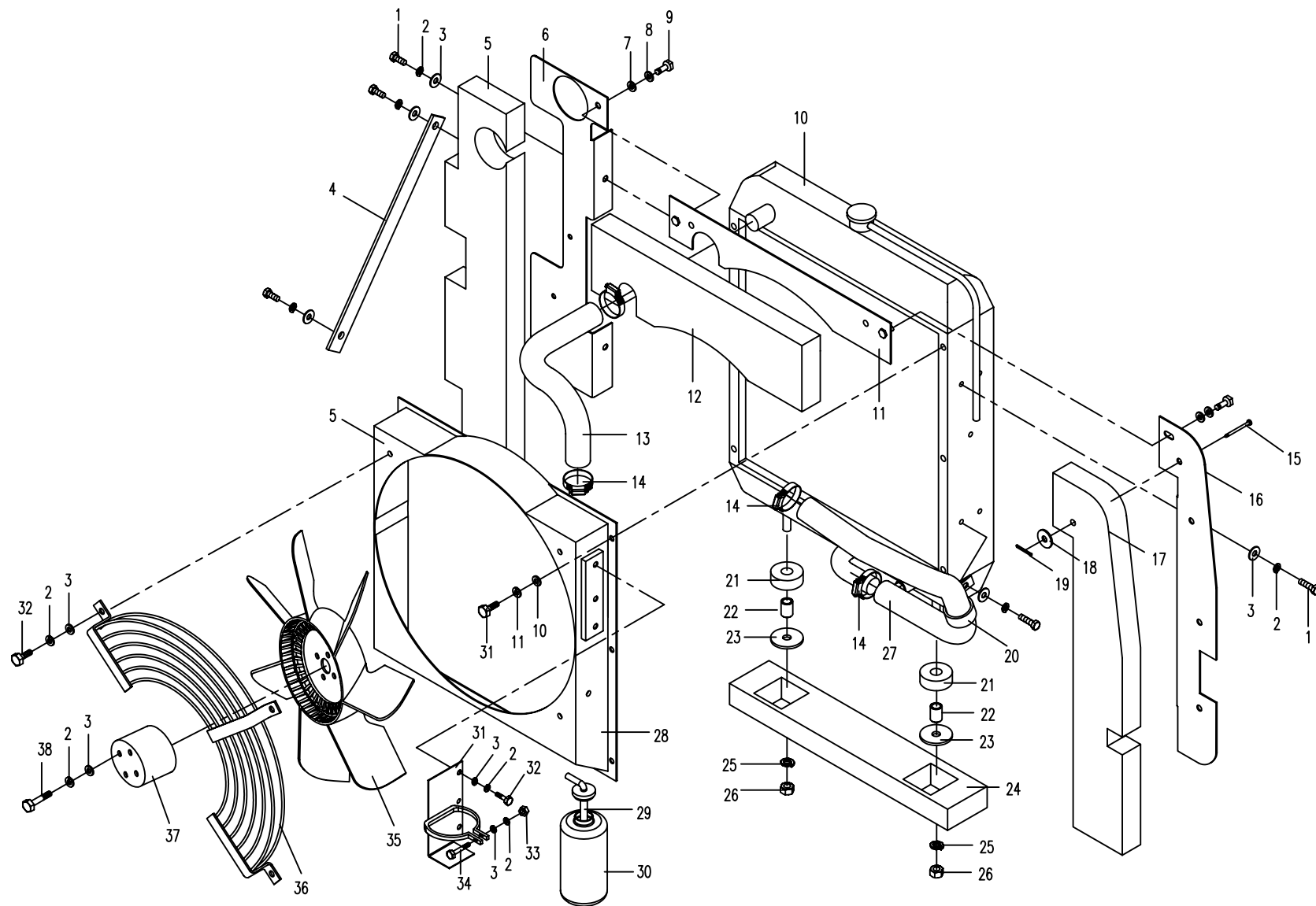
12.1.1 冷却系统(适用825E01机型) COOLING SYSTEM(APPLY TO 825E01 TYPE)

序号 No.	数量 Quantity	代号 Code	名称 Description		备注 Remark
1	4	M8×16 GB/T5783	六角头螺栓	Bolt	8.8-Zn.D
2	17	8 GB/T93	平垫圈	Washer	Zn.D
3	17	8 GB/T97.1	弹簧垫圈	Spring washer	Zn.D
4	1	830H-1201008	拉杆	Pull staff	
5	1	825E-1201001	左隔热垫	Left heat-insulation space	
6	1	825E-1201004	左隔风板	Left wind separate board	
7	8	6 GB/T97.1	平垫圈	Washer	
8	8	6 GB/T93	弹簧垫圈	Spring washer	
9	6	M6×16 GB/T5783	六角头螺栓	Bolt	8.8-Zn.D
10	1	828-1201400	水散热器	Radiator	
11	1	825E-1201003	上隔风板	Upper wind separate board	
12	1	825E-1201002	上隔热垫	Upper heat-insulation space	
13	1	828-1201003	上水管	Upper water pipe	
14	4	d45 Q672	双钢丝式环箍	Hoop	
15	8	4×45 GB/T882	销轴	Pin	
16	1	825E-1201005	右隔风板	Right wind separate board	
17	1	825E-1201006	右隔热垫	Right heat-insulation spacer	
18	8	830-1201013	垫片	Washer	
19	8	1.6×16 GB/T91	开口销	Retainer pin	
20	1	830H-1201016	固定箍	Fixation hoop	
21	2	830H-1201001	上减振垫	Upper shock spacer	
22	2	830H-1201011	套筒	Sleeve	
23	2	830H-1201012	垫圈	Washer	
24	1	830H-1201009	下隔风垫	Down wind separate space	
25	2	12 GB/T93	弹簧垫圈	Spring washer	Zn.D
26	2	M12 GB/T6170	1型六角螺母	Nut	8-Zn.D
27	1	828-1201006	下水管	Lower water pipe	
28	1	825E-1201300	导风罩	Fan guide	

12.1.1 冷却系统(适用825E01机型) COOLING SYSTEM(APPLY TO 825E01 TYPE)



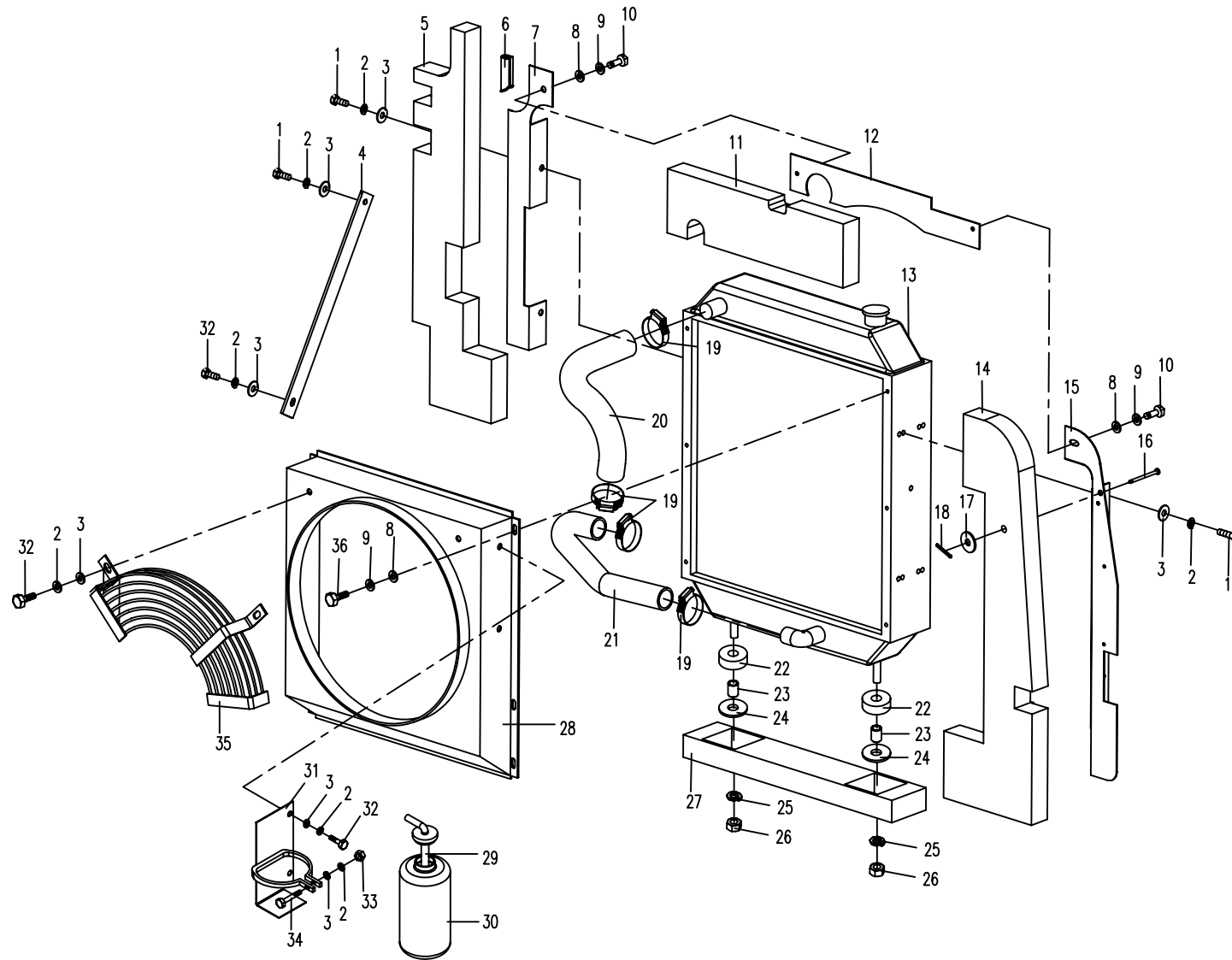
12.1.1 冷却系统(适用825E01机型) COOLING SYSTEM(APPLY TO 825E01 TYPE)



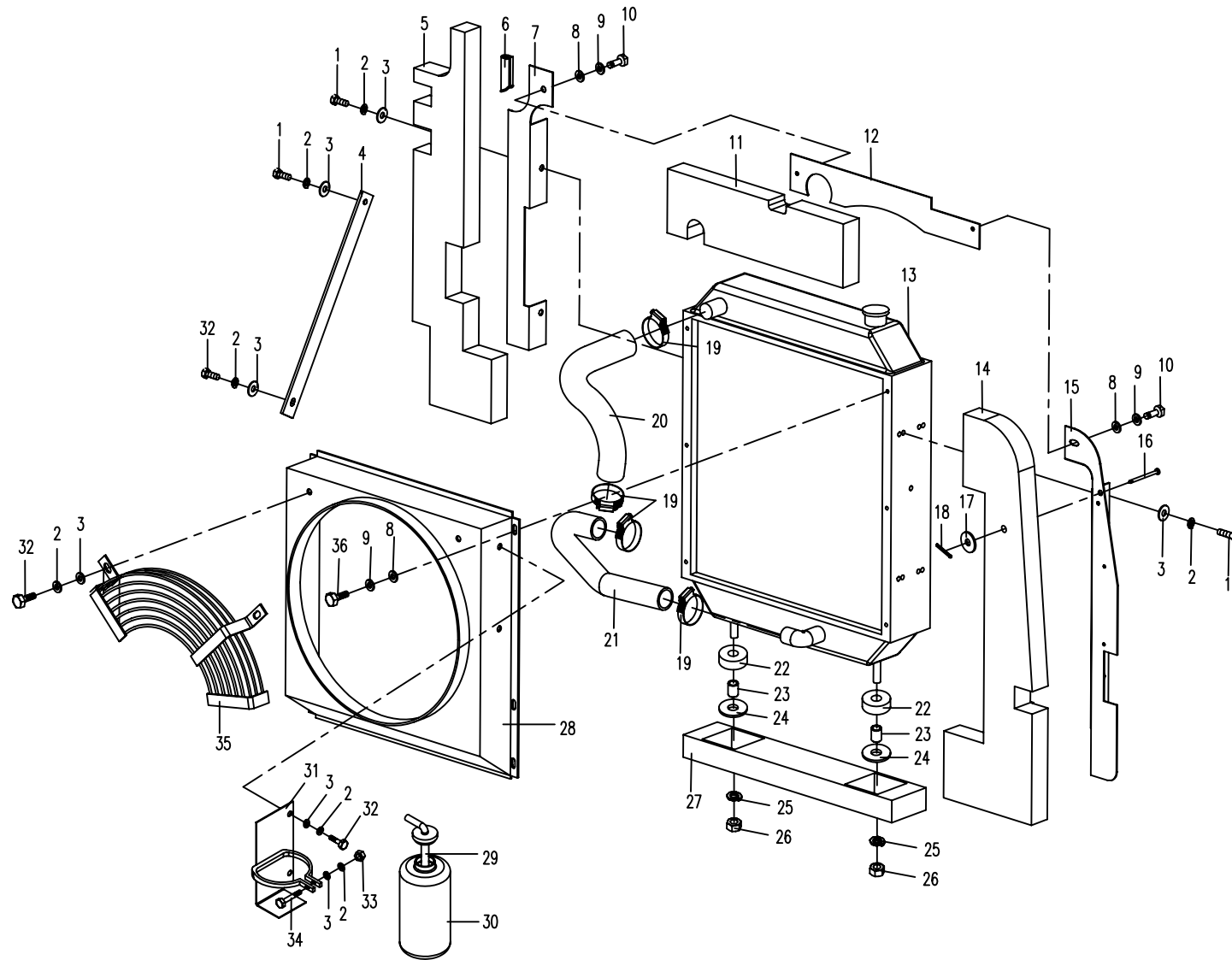
12.1.2 冷却系统(适用825E02机型) COOLING SYSTEM(APPLY TO 825E02 TYPE)

序号 No.	数量 Quantity	代号 Code	名称 Description		备注 Remark
1	4	M8×16 GB/T5783	六角头螺栓	Bolt	8.8-Zn.D
2	12	8 GB/T93	平垫圈	Washer	Zn.D
3	12	8 GB/T97.1	弹簧垫圈	Spring washer	Zn.D
4	1	830H-1201008	拉杆	Pull staff	
5	1	825E-1221001	左隔热垫	Left heat-insulation space	
6	110m	810-1506004	橡胶边条		
7	1	825E-1221002	左隔风板	Left wind separate board	
8	8	6 GB/T97.1	平垫圈	Washer	
9	8	6 GB/T93	弹簧垫圈	Spring washer	
10	2	M6×12 GB/T5783	六角头螺栓	Bolt	8.8-Zn.D
11	1	825E-1221003	上隔热垫	Upper heat-insulation space	
12	1	828-1201200	上隔风板	Upper wind separate board	
13	1	825E-1221100	水散热器	Radiator	
14	1	825E-1221004	右隔热垫	Right heat-insulation spacer	
15	1	828-1201005	右隔风板	Right wind separate board	
16	6	4×45 GB/T882	销轴	Pin	
17	6	830-1201013	垫片	Washer	
18	6	1.6×16 GB/T91	开口销	Retainer pin	
19	4	d50 Q672	双钢丝式环箍	Hoop	
20	1	825E-1221005	上水管	Upper water pipe	
21	1	825E-1221006	下水管	Lower water pipe	
22	2	830H-1201001	上减振垫	Upper shock spacer	
23	2	830H-1201011	套筒	Sleeve	
24	2	830H-1201012	垫圈	Washer	
25	2	12 GB/T93	弹簧垫圈	Spring washer	Zn.D
26	2	M12 GB/T6170	型六角螺母	Nut	8-Zn.D
27	1	830H-1201009	下隔风垫	Down wind separate space	
28	1	825E-1221200	导风罩	Fan guide	

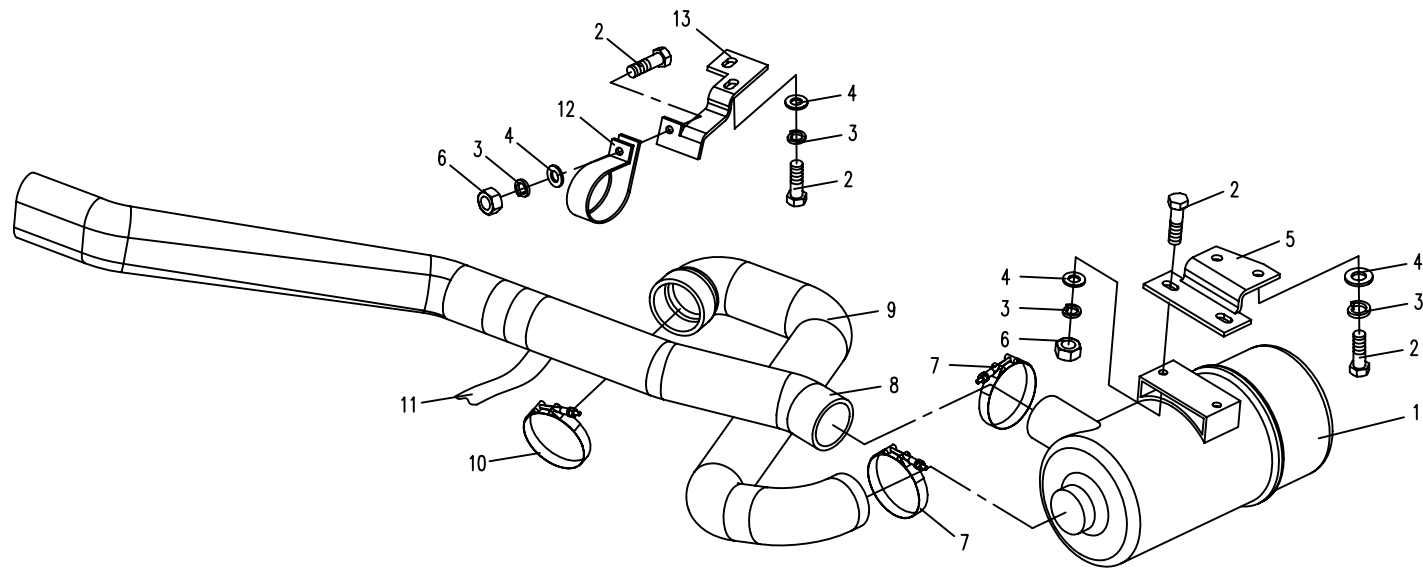
12.1.2 冷却系统(适用825E02机型) COOLING SYSTEM(APPLY TO 825E02 TYPE)



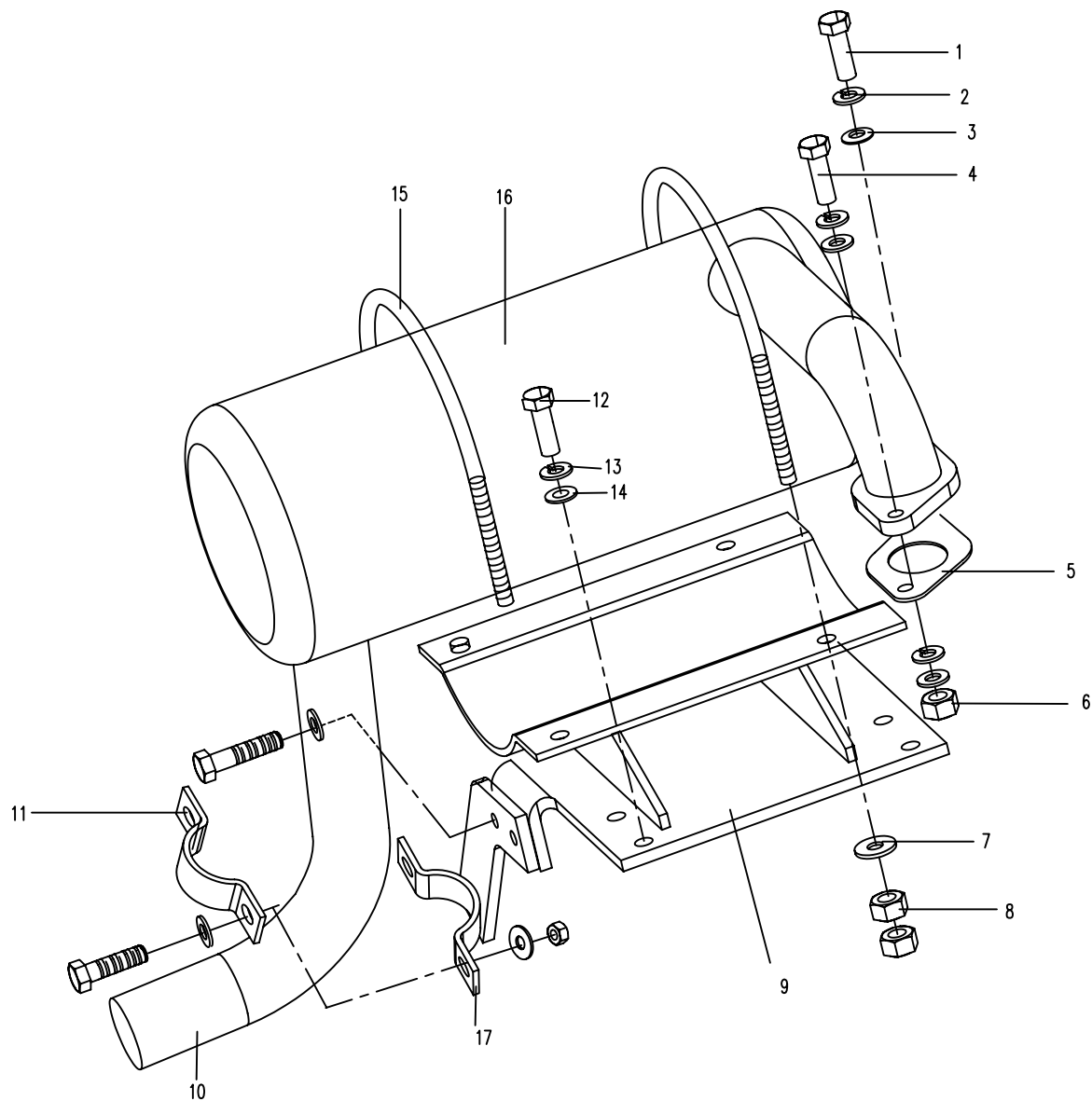
12.1.2 冷却系统(适用825E02机型) COOLING SYSTEM(APPLY TO 825E02 TYPE)



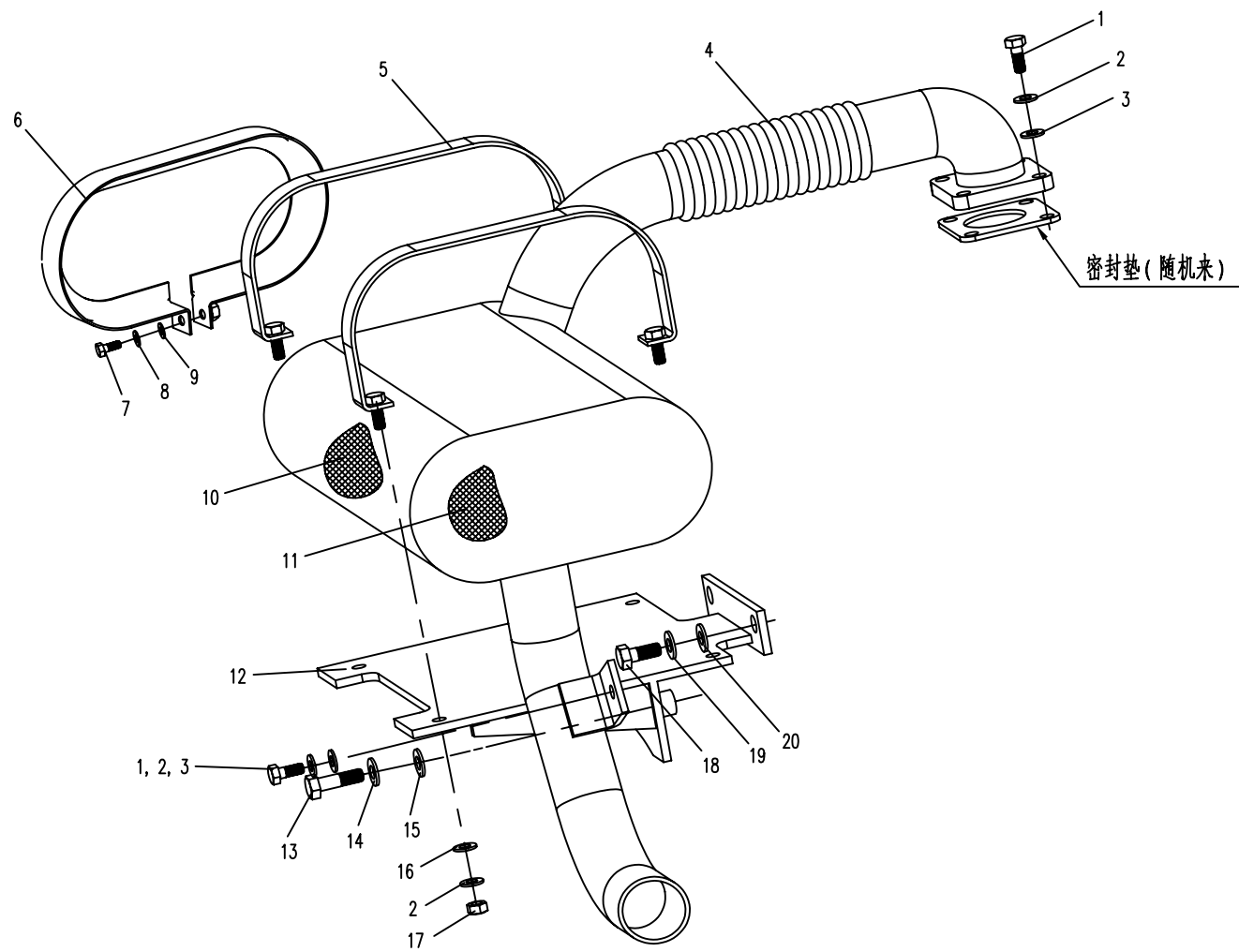
12.2.2 进气系统 (适用825E02机型) AIR INLET SYSTEM (APPLY TO 825E02 TYPE)



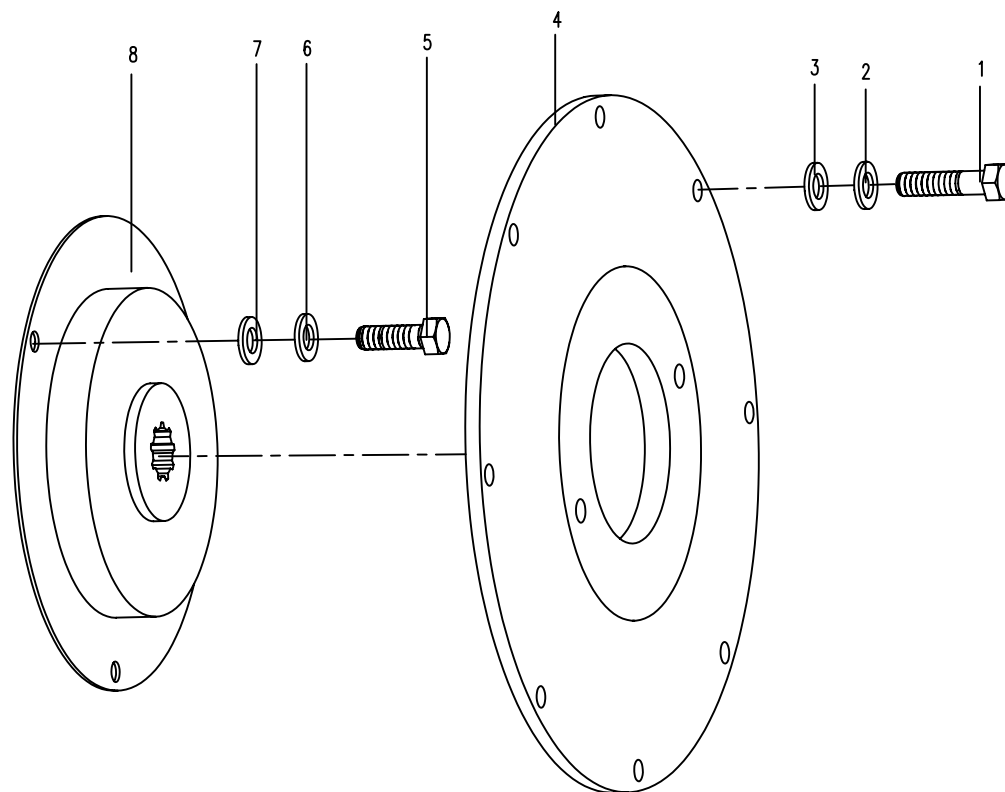
12.3.1 排气系统(适用825E01机型) EXHAUST SYSTEM (APPLY TO 825E01 TYPE)



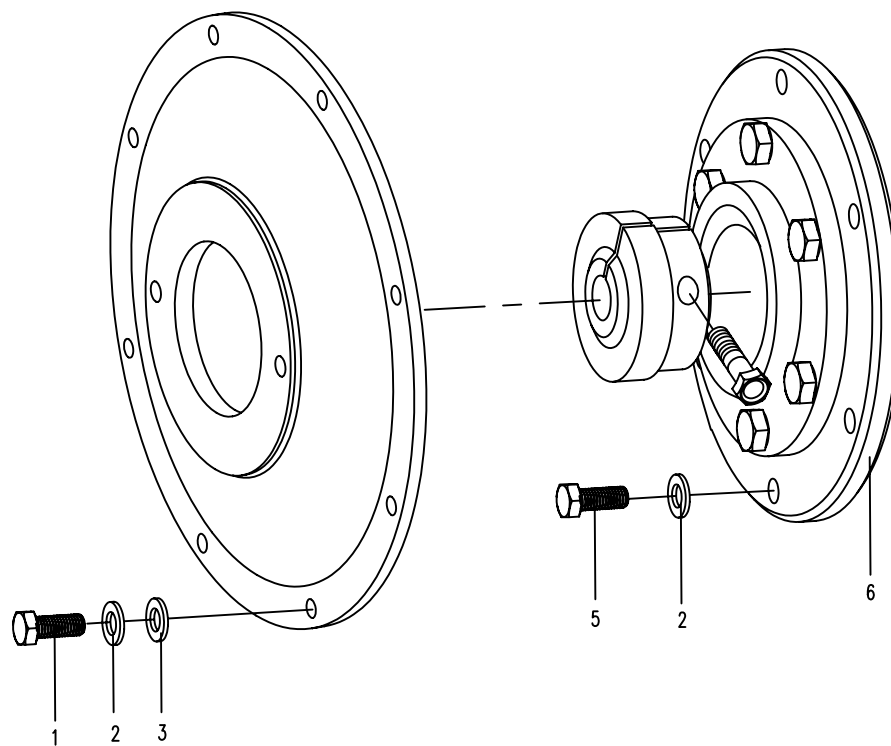
12.3.2 排气系统(适用825E02机型) EXHAUST SYSTEM (APPLY TO 825E02 TYPE)



12.4.1 动力输出系统(适用825E01机型) POWER OUTPUT SYSTEM (APPLY TO 825E01 TYPE)



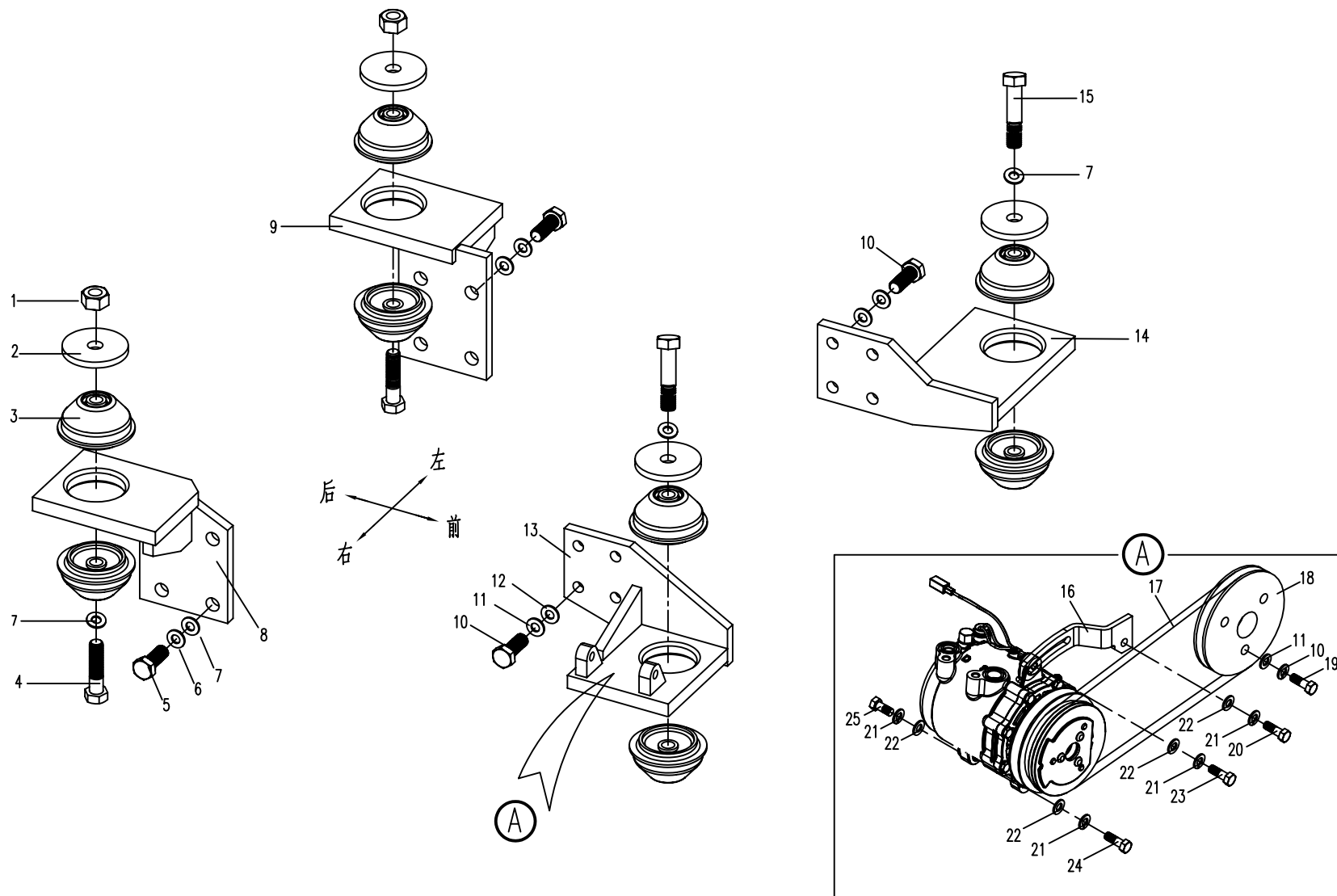
12.4.2 动力输出系统(适825E02机型) POWER OUTPUT SYSTEM (APPLY TO 825E02 TYPE)



12.5.1 支承及空调压缩机系统(适用825E01机型) SUPPORT AND AIR-CONDITIONED COMPRESSOR SYSTEM (APPLY TO 825E01 TYPE)

序号 No.	数量 Quantity	代号 Code	名称 Description		备注 Remark
1	2	M12 GB/T6182	嵌件六角锁紧螺母	Nut	8-Zn.D
2	4	810K-1208003	圆垫	Washer	
3	8	828-1206001	减震器	Shock absorber	
4	2	M12×110 GB/T5782A	六角头螺栓	Bolt	10.9-达克罗
5	8	M12×35 GB/T5783A	六角头螺栓	Bolt	10.9-达克罗
6	8	12 GB/T93	弹簧垫圈	Spring washer	Zn.D
7	12	12 GB/T97.1	平垫圈	Washer	Zn.D
8	1	828-1207100	右后支架	Rear-right support	
9	1	828-1206100	左后支架	Rear-left support	
10	8	M10×30 GB/T5783A	六角头螺栓	Bolt	10.9-达克罗
11	11	10 GB/T93	弹簧垫圈	Spring washer	Zn.D
12	11	10 GB/T97.1	平垫圈	Washer	Zn.D
13	1	828A-1202100A	右前支架	Front-right support	
14	1	828-1208100	左前支架	Front-left support	
15	2	M12×100 GB/T 5782A	六角头螺栓	Bolt	10.9-达克罗
16	1	828A-1202002A	张紧杆	Tightening bolt	
17	1	828A-1202003	空调皮带	Strap	
18	1	828A-1202001A	皮带轮	Strap wheel	
19	3	M10×35 GB/T5783A	六角头螺栓	Bolt	10.9-达克罗
20	1	M8×20 GB/T5783A	六角头螺栓	Bolt	8.8-Zn.D
21	4	8 GB/T93	弹簧垫圈	Spring washer	Zn.D
22	4	8 GB/T97.1	平垫圈	Washer	Zn.D
23	1	M8×75 GB/T5782A	六角头螺栓	Bolt	10.9-达克罗
24	1	M8×30 GB/T5783A	六角头螺栓	Bolt	10.9-达克罗
25	1	M8×40 GB/T5783a	六角头螺栓	Bolt	10.9-达克罗

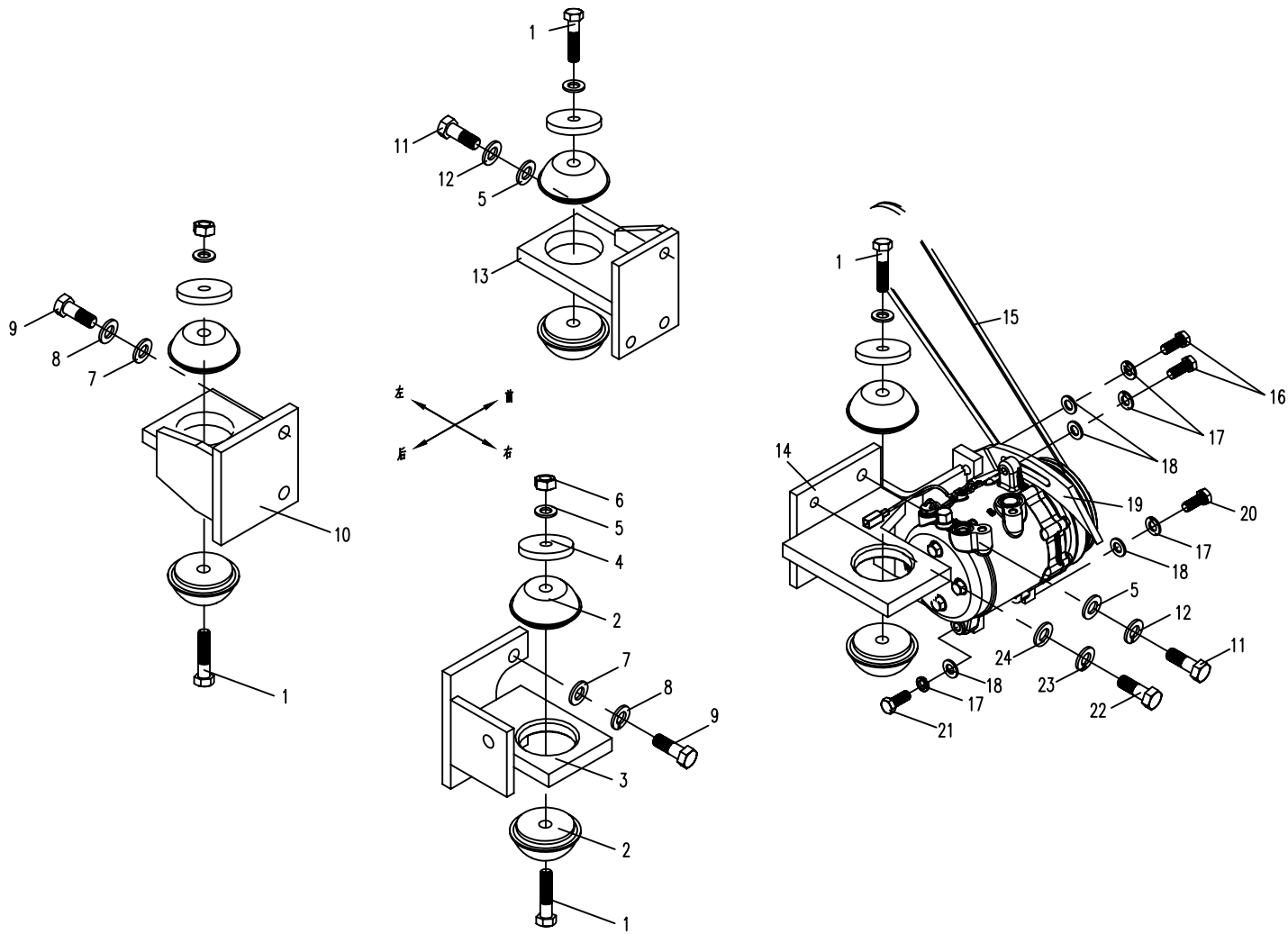
12.5.1 支承及空调压缩机系统(适用825E01机型) SUPPORT AND AIR-CONDITIONED COMPRESSOR SYSTEM (APPLY TO 825E01 TYPE)



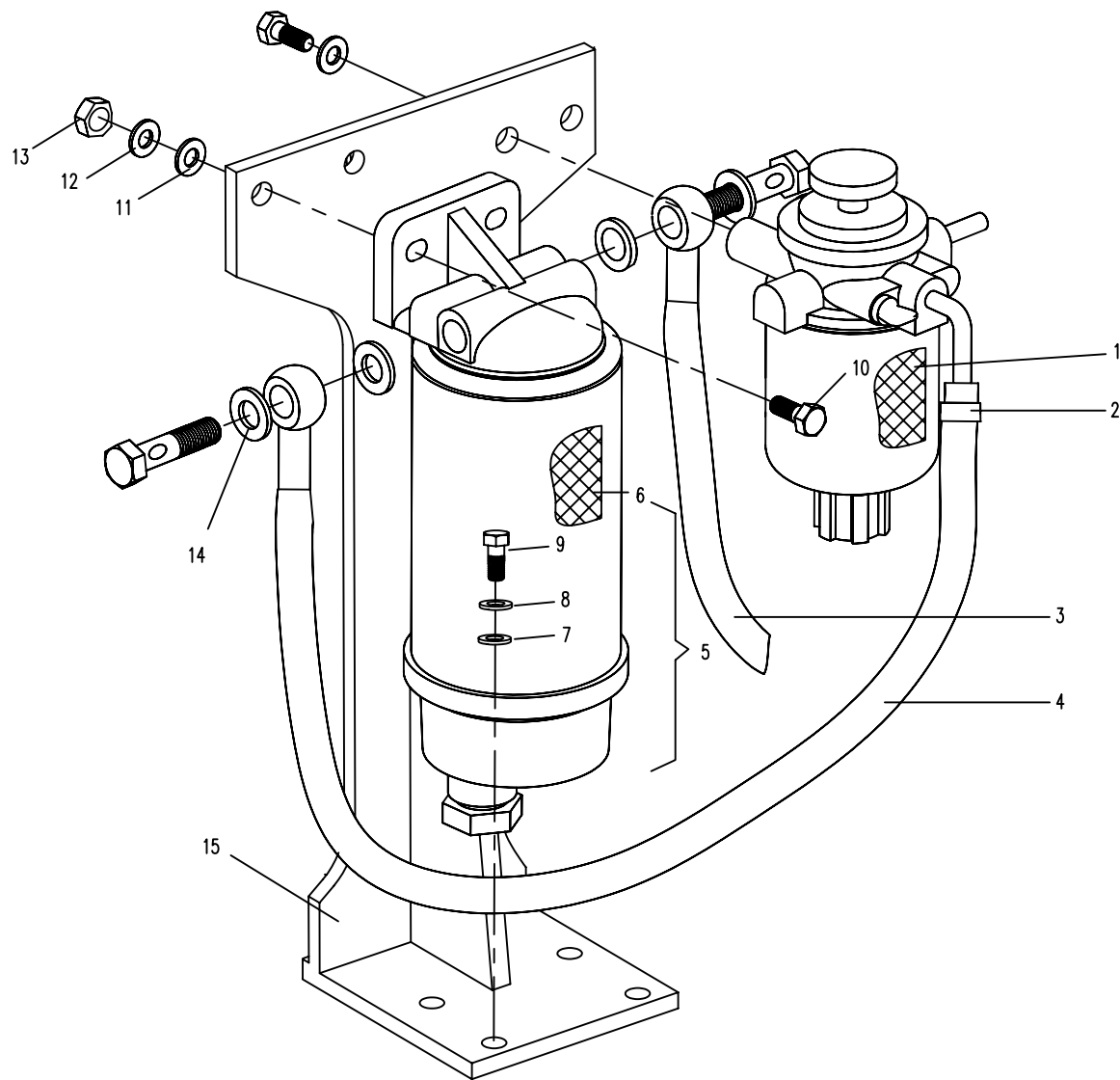
12.5.2 支承及空调压缩机系统(适用825E02机型) SUPPORT AND AIR-CONDITIONED COMPRESSOR SYSTEM (APPLY TO 825E02 TYPE)

序号 No.	数量 Quantity	代号 Code	名称 Description		备注 Remark
1	4	M12×110 GB/T5782	六角头螺栓	Bolt	10.9-达克罗
2	8	828-1206001	减震器	Shock absorber	
3	1	830T-1204200A	右后支架	Rear support-RH	
4	4	810K-1208003	圆垫	Washer	
5	10	12 GB/T 97.1	平垫圈	Washer	Zn.D
6	2	12 GB/T6182	嵌件六角锁紧螺母	Nut	8-Zn.D
7	4	14 GB/T 97.1	平垫圈	Washer	Zn.D
8	4	14 GB/T 93	弹簧垫圈	Spring washer	Zn.D
9	4	M14×1.5×35 GB/T5786	六角头螺栓	Bolt	10.9-达克罗
10	1	830T-1204100A	左后支架	Rear support-LH	
11	6	M12×1.25×35 GB/T5786	六角头螺栓	Bolt	10.9-达克罗
12	6	12 GB/T93	弹簧垫圈	Spring washer	Zn.D
13	1	830T-1203100	左前支架	Front support-LH	
14	1	830T-1203200	右前支架	Front support-RH	
15	1	830T-1207002	空调皮带	Strap	
16	2	M8×25 GB/T5783	六角头螺栓	Bolt	10.9-达克罗
17	4	8 GB/T93	弹簧垫圈	Spring washer	Zn.D
18	4	8 GB/T97.1	平垫圈	Washer	Zn.D
19	1	830T-1207001	张紧杆	Tightening bolt	
20	1	M8×30 GB/T5783	六角头螺栓	Bolt	10.9-达克罗
21	1	M8×40 GB/T5783	六角头螺栓	Bolt	10.9-达克罗
22	1	M10×1.25×30 GB/T5786	六角头螺栓	Bolt	10.9-达克罗
23	1	10 GB/T93	弹簧垫圈	Spring washer	Zn.D
24	1	10 GB/T97.1	平垫圈	Washer	Zn.D

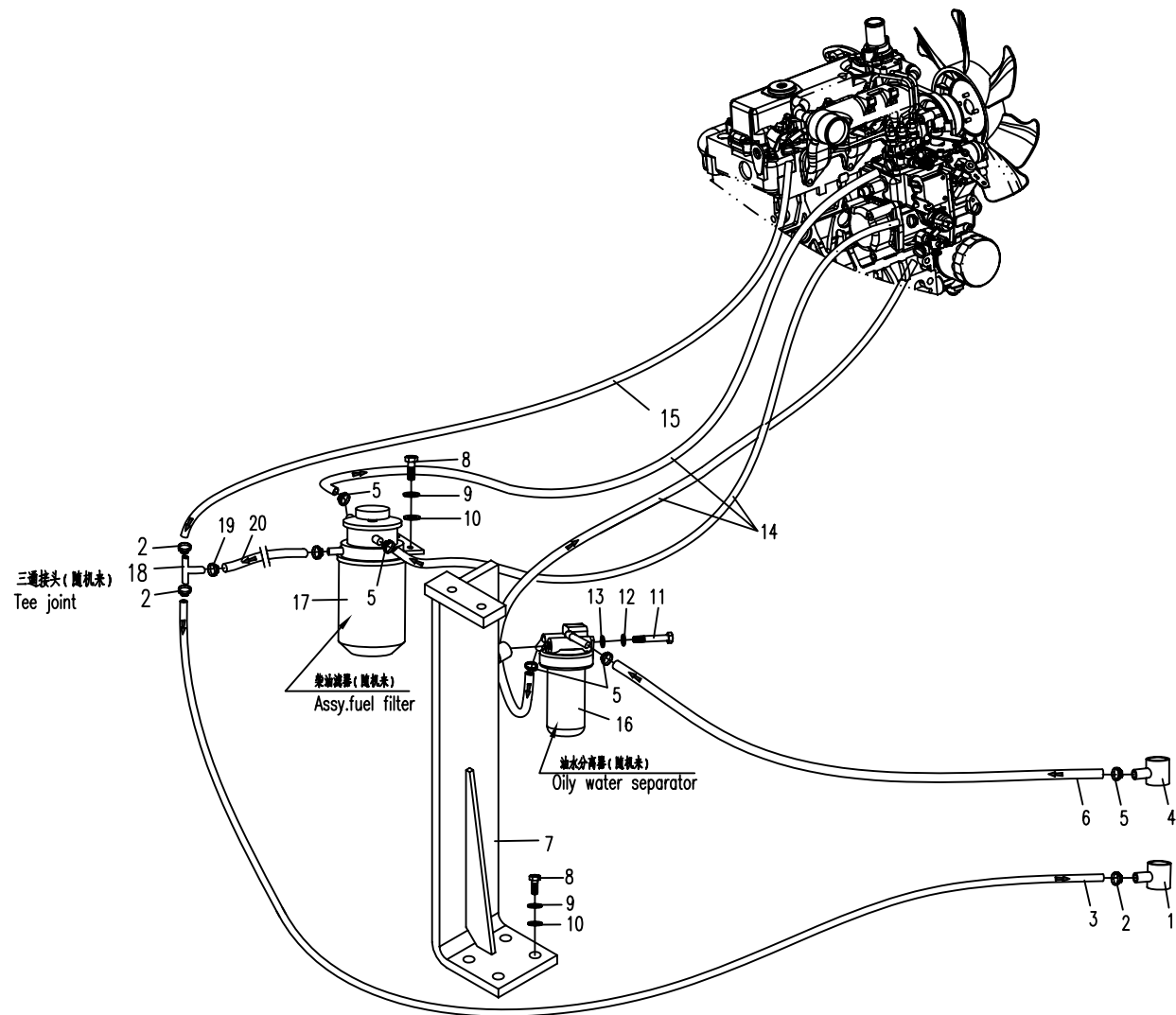
12.5.2 支承及空调压缩机系统(适用825E02机型) SUPPORT AND AIR-CONDITIONED COMPRESSOR SYSTEM (APPLY TO 825E02 TYPE)



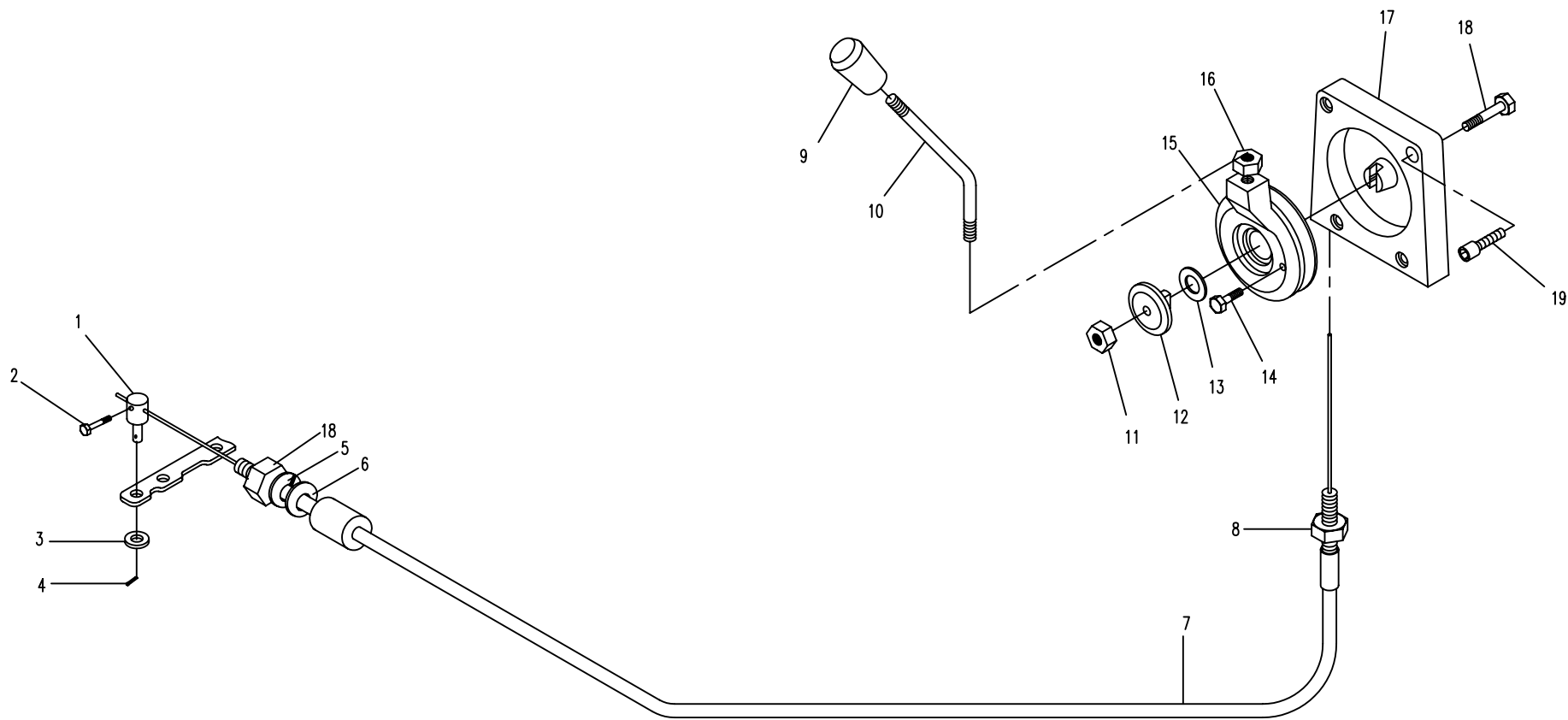
12.6.1 燃油系统(适用825E01机型) FUEL SUPPLY SYSTEM (APPLY TO 825E01 TYPE)



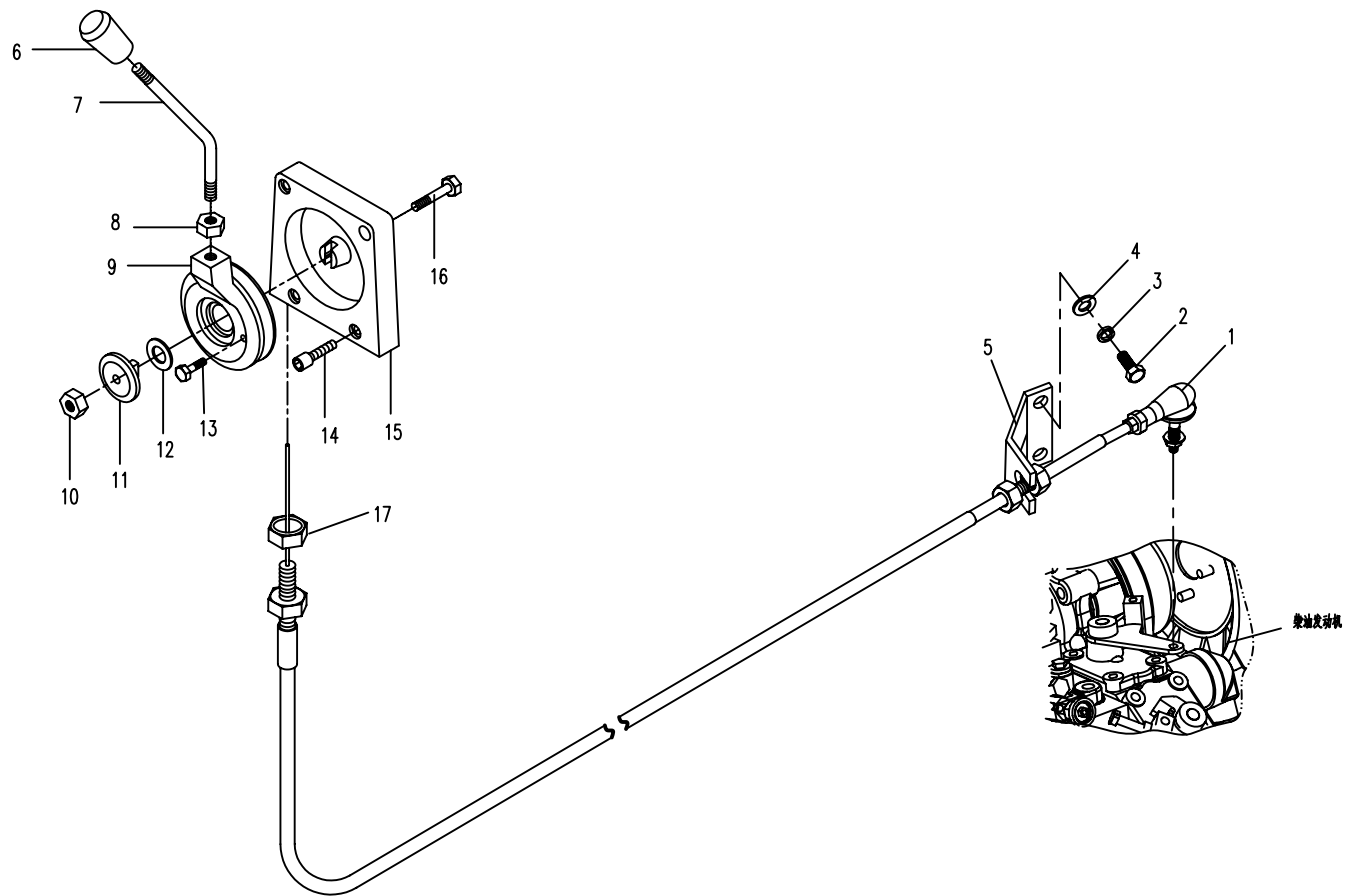
12.6.2 燃油系统(适用825E02机型) FUEL SYSTEM (APPLY TO 825E02 TYPE)



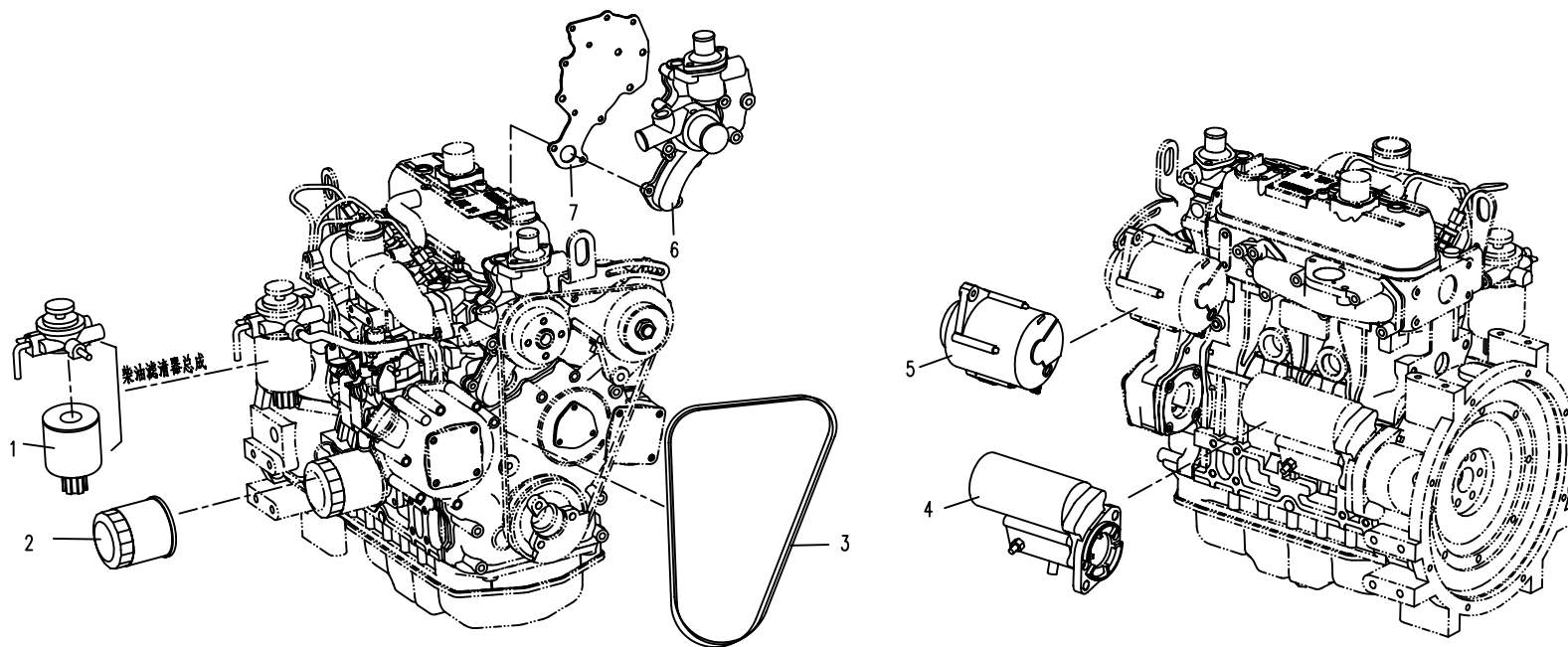
12.7.1 油门操纵系统(适用825E01机型) THROTTLE CONTROL SYSTEM(APPLY TO 825E01 TYPE)



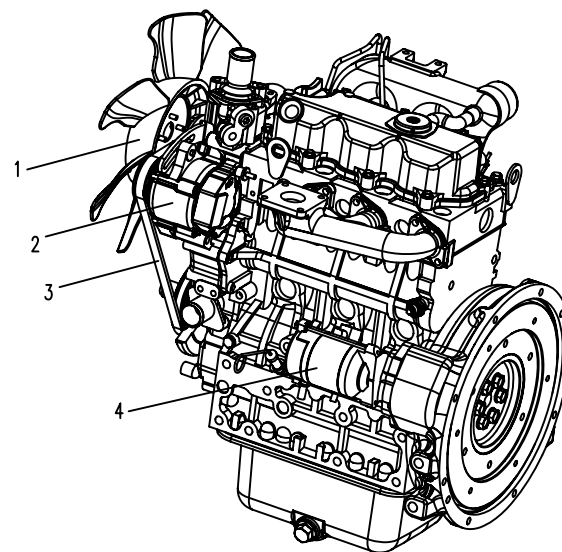
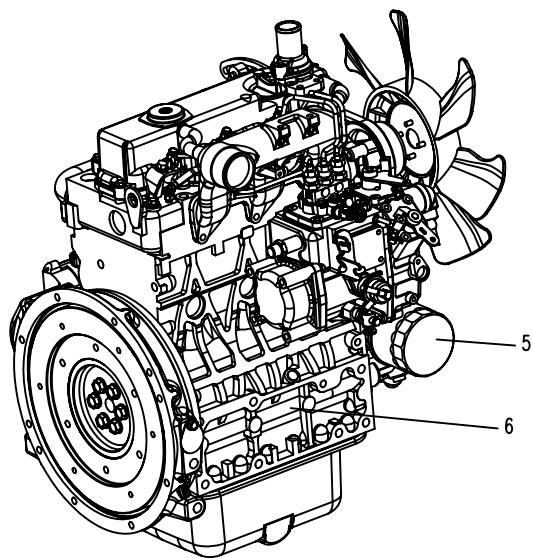
12.7.2 油门操纵系统(适用825E02机型) THROTTLE CONTROL SYSTEM (APPLY TO 825E02 TYPE)



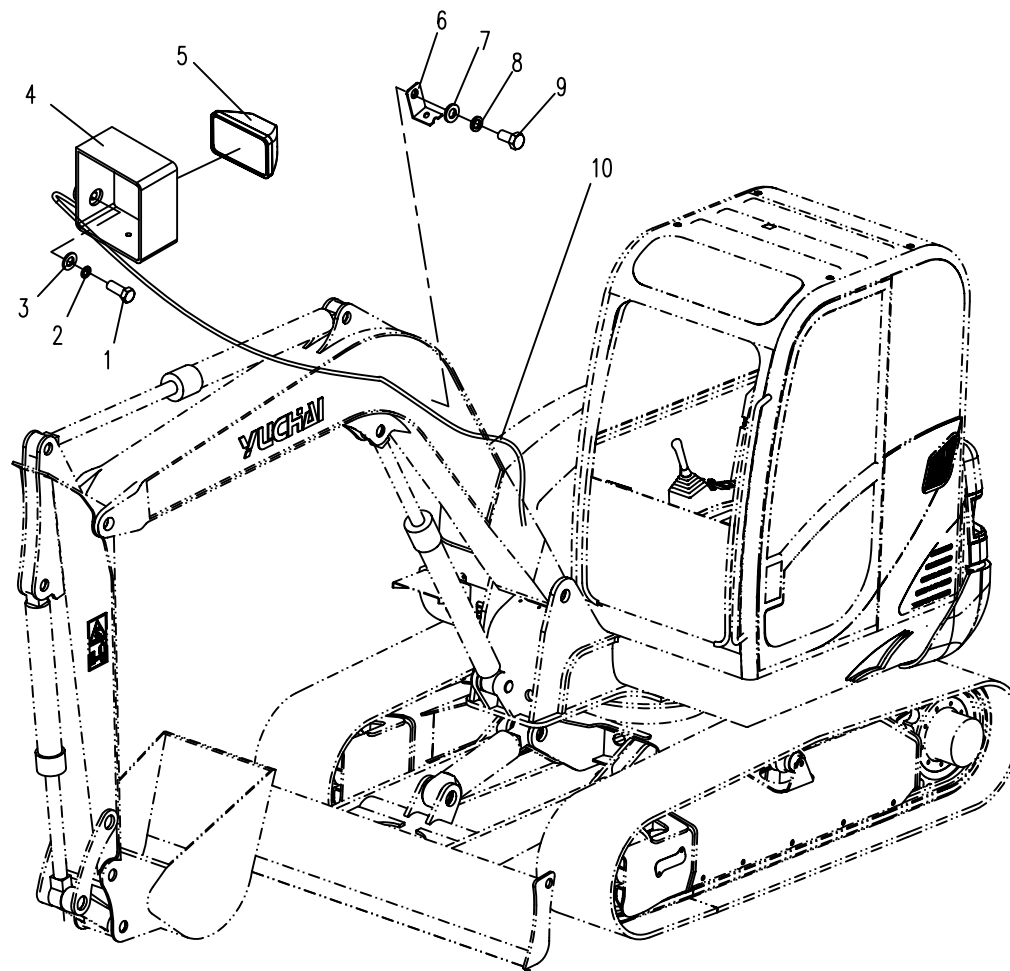
12.8.1 发动机备件(适用825E01机型) ENGINE SPARE PART(APPLY TO 825E01 TYPE)



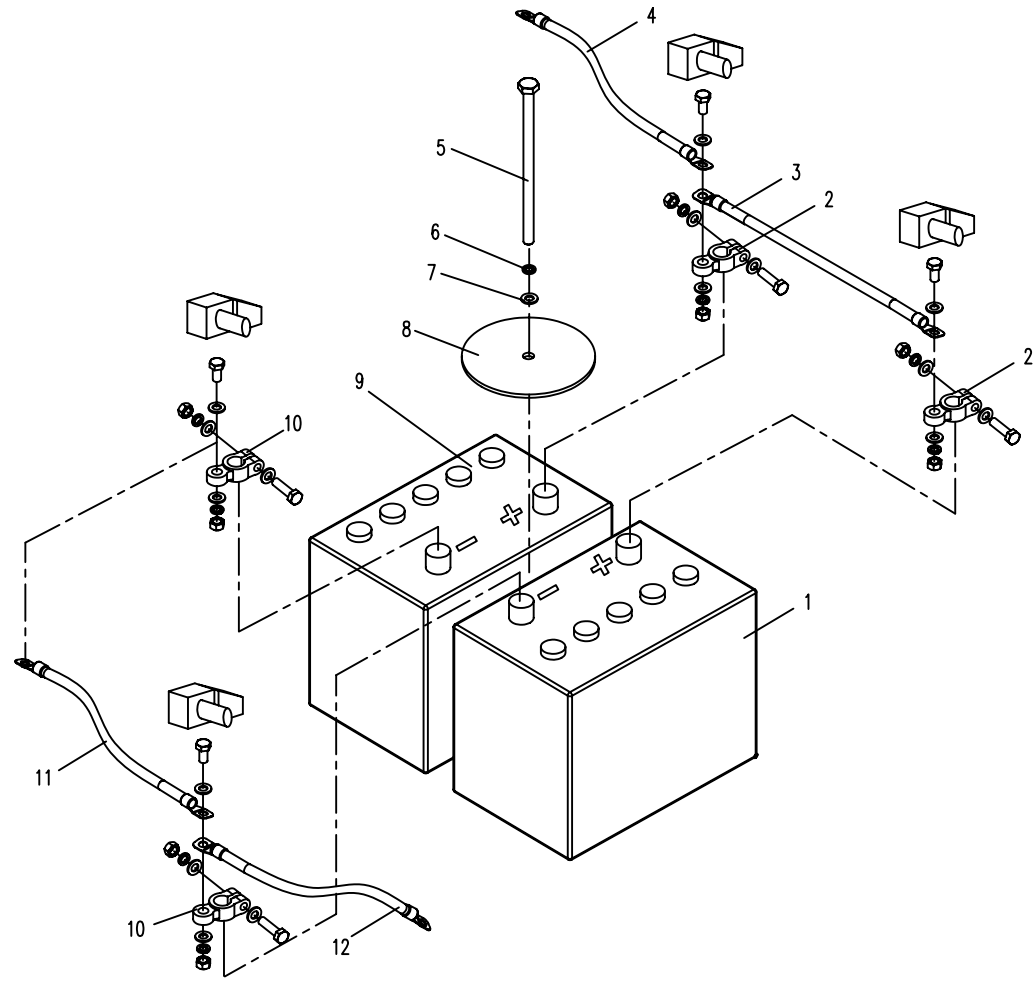
12.8.2 发动机备件(适用825E02机型) ENGINE SPARE PART(APPLY TO 825E02 TYPE)



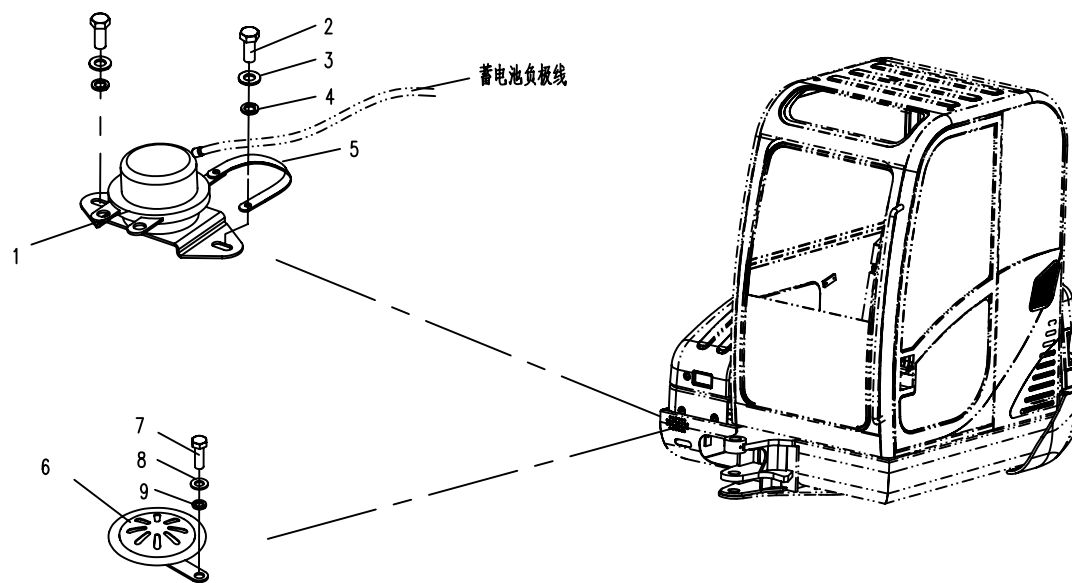
13.1.1 动臂灯安装(适用825E01,825E02机型) ARM LAMP ASSEMBLY(APPLY TO 825E01,825E02 TYPE)



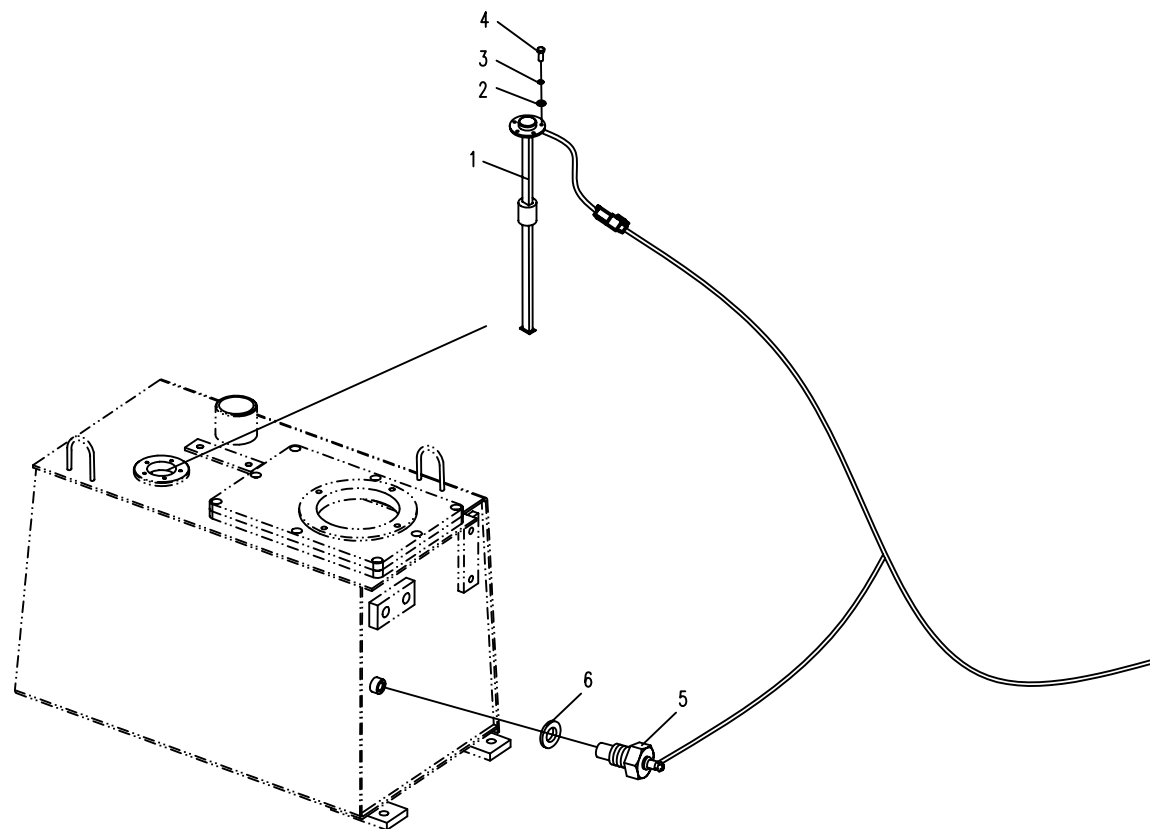
13.2.1 蓄电池安装总成(适用825E01, 825E02机型) BATTERY ASSEMBLY (APPLY TO 825E01, 825E02 TYPE)



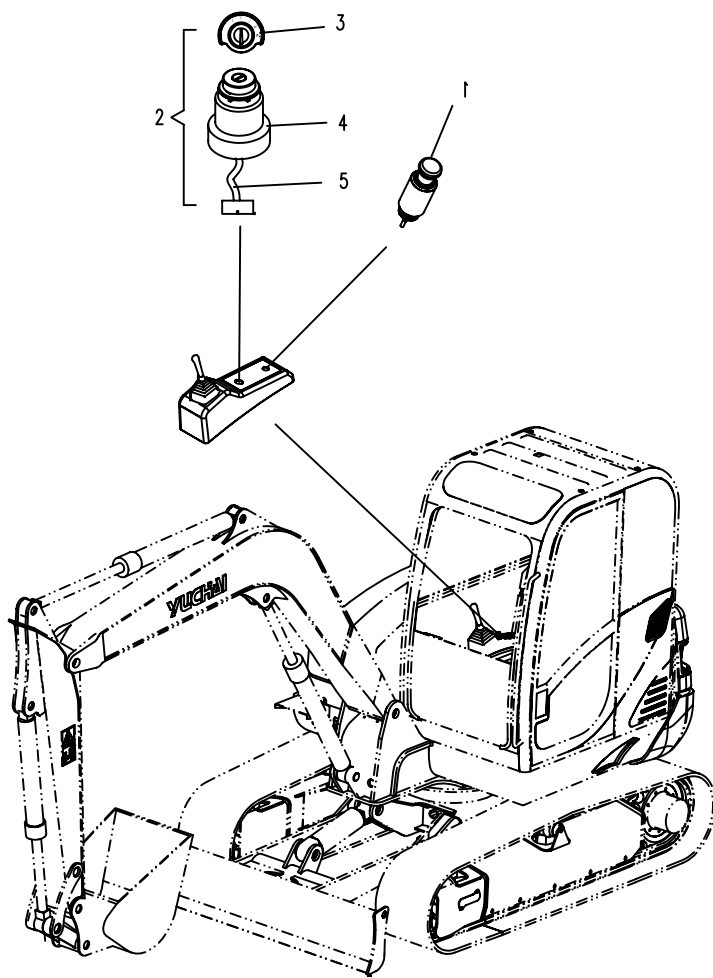
13.3.1 平台电器总成(适用825E01,825E02机型) ELECTRICAL ASSEMBLY FOR PLATFORM (APPLY TO 825E01,825E02 TYPE)



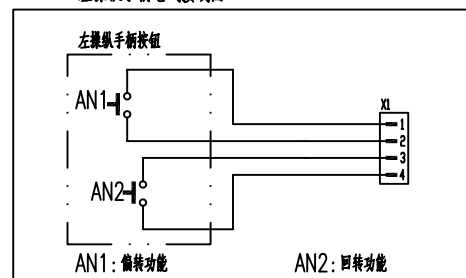
13.4.1 油箱电器总成(适用825E01,825E02机型) ELECTRICAL ASSEMBLY FOR TANK (APPLY TO 825E01,825E02 TYPE)



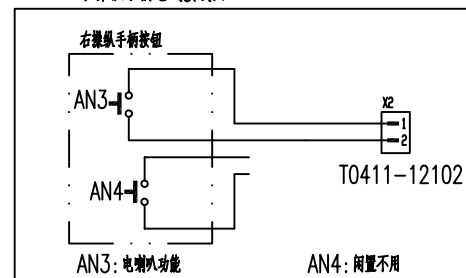
13.5.1 操纵台电器总成 (适用825E01,825E02机型) ELECTRICAL ASSEMBLY FOR CONTROL (APPLY TO 825E01,825E02 TYPE)



左操纵手柄电气接线图



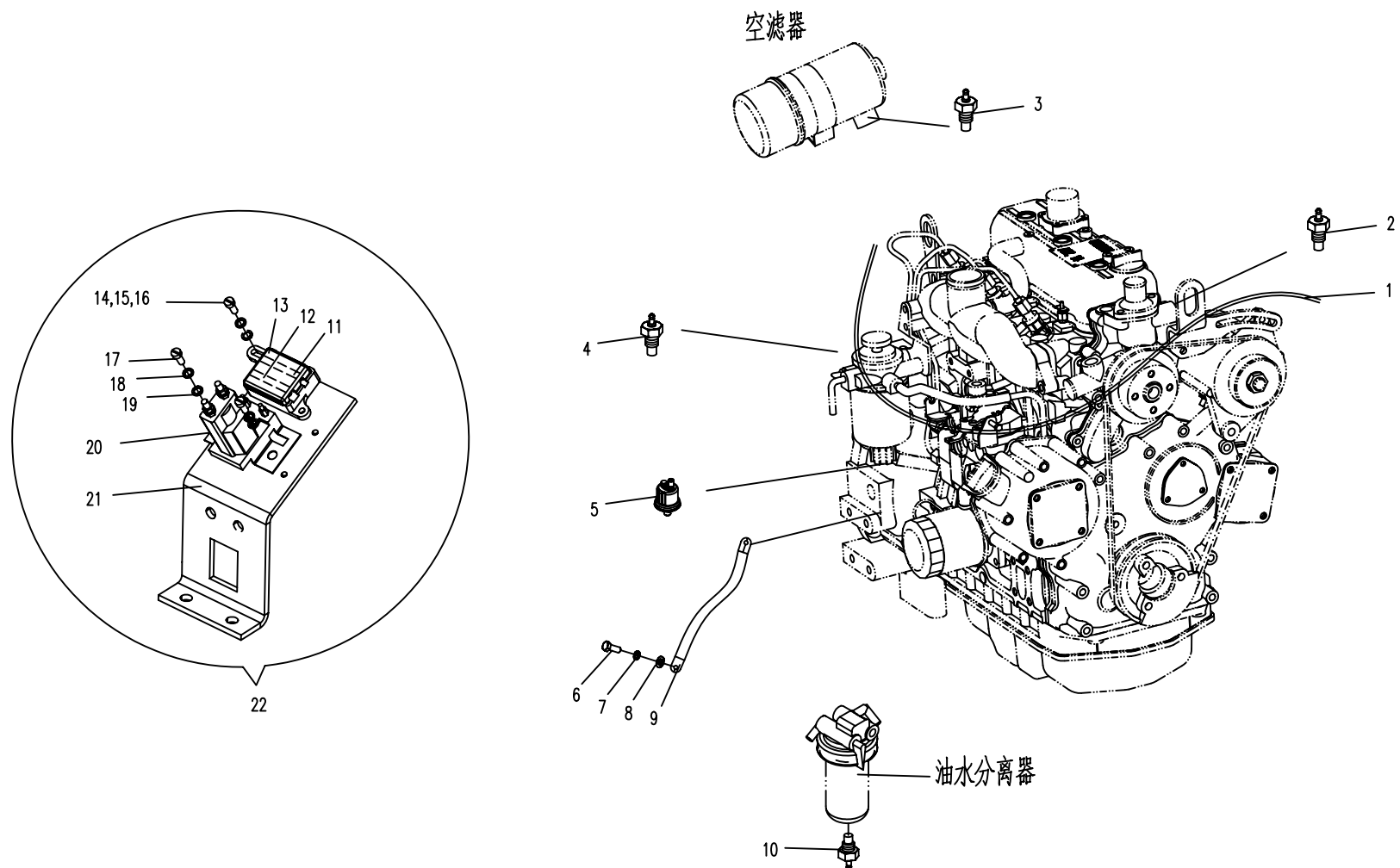
右操纵手柄电气接线图



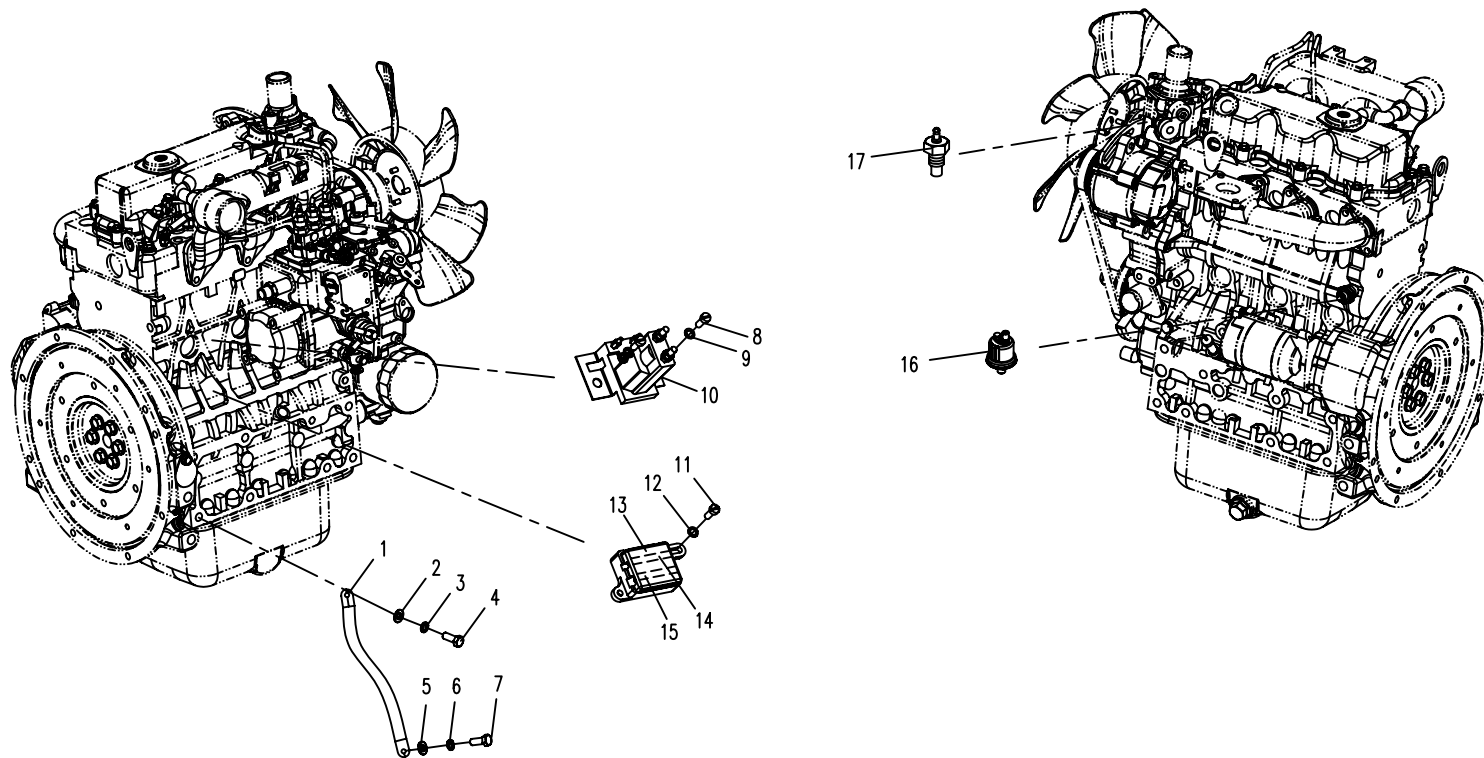
13.6.1 发动机电器总成(适用825E01机型) ELECTRICAL ASSEMBLY FOR ENGINE(APPLY TO 825E01 TYPE)

序号 No.	数量 Quantity	代号 Code	名称 Description		备注 Remark
1	1	830T-1310300	起动线束	Start wiring hamess	
2	1	T0411-01101	温度传感器	Temperature sensor	
3	1	T0411-12101	空滤报警器	Backup switch	(随空滤器)
4	1	T0411-17104	转速传感器	Speed sensor	
5	1	T0411-03101	压力传感器	Pressure sensor	
6	2	M10×20 GB/T5783	六角头螺栓	Bolt	8.8-Zn.D
7	2	10 GB/T93	弹簧垫圈	Spring washer	Zn.D
8	2	10 GB/T97.1	平垫圈	Washer	Zn.D
9	1	830D-1300500	发动机搭铁线	Earthing wire	
10	1	T0411-14101	油水分离报警开关	Water in full alarm switch	随油滤器
11	1	T0402-04104	二路熔断器保险片	Fuse	50A
12	1	T0402-04102	二路熔断器保险片	Fuse	30A
13	1	T0402-01105	二路熔断器盒	Box	
14	2	M5×12 GB/T65	开槽圆柱头螺钉	Bolt	8.8-Zn.D
15	2	5 GB/T93	弹簧垫圈	Spring washer	Zn.D
16	2	5 GB/T97.1	平垫圈	Washer	Zn.D
17	2	M6×10 GB/T65	开槽圆柱头螺钉	Bolt	8.8-Zn.D
18	2	6 GB/T93	弹簧垫圈	Spring washer	Zn.D
19	2	6 GB/T97.1	平垫圈	Washer	Zn.D
20	1	T0404-01211	起动继电器	Jump-start ralay	12V
21	1	830H-1300101A	安装板	Fixing plate	
22	1	830H-1301000	起动继电器安装总成	Starting relay assembly	包括序号11~21零件(Include No.11~21)

13.6.1 发动机电器总成(适用825E01机型) ELECTRICAL ASSEMBLY FOR ENGINE(APPLY TO 825E01 TYPE)



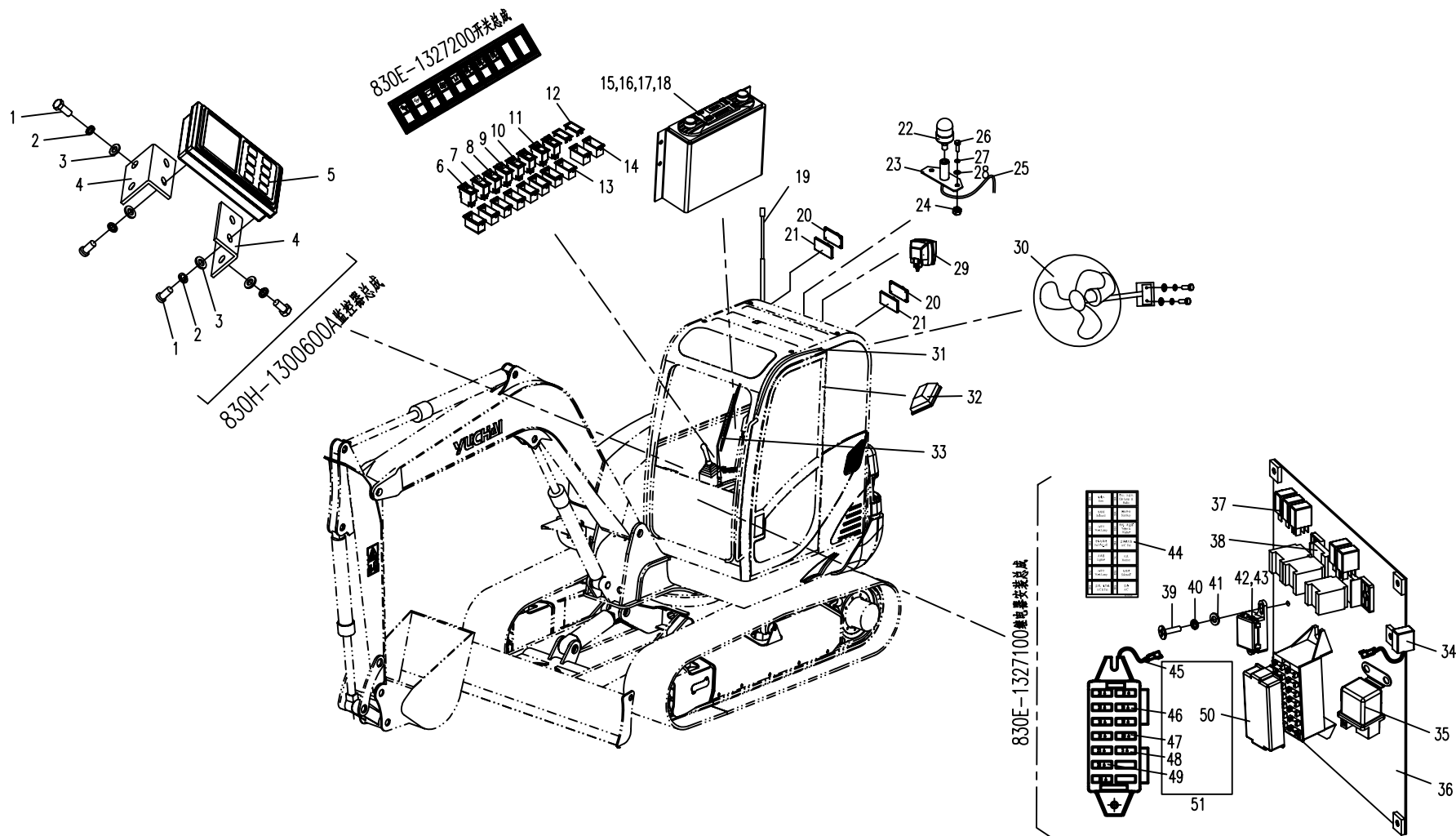
13.6.2 发动机电器总成(适用825E02机型) ELECTRICAL ASSEMBLY FOR ENGINE(APPLY TO 825E02 TYPE)



13.7.1 驾驶室电器总成(适用825E01,825E02机型) ELECTRICAL ASSEMBLY FOR CAB(APPLY TO 825E01,825E02 TYPE)

序号 No.	数量 Quantity	代号 Code	名称 Description		备注 Remark
1	8	M6×12 GB/T65	开槽圆柱头螺钉	Bolt	
2	8	6 GB/T93	弹簧垫圈	Spring washer	Zn.D
3	8	6 GB/T97.1	平垫圈	Washer	Zn.D
4	1	830H-1300601	仪表安装板	Fixing plate	
5	1	T0412-04212	小挖专用监控器	Monitor assembly	DC038D-H
6	1	T0405-07201	偏转指示灯	Boom Swing Indicator	
7	1	T0401-03210	高速行驶开关	Speed Switch	
8	1	T0401-03202	雨刮开关	Swipper Switch	
9	1	T0401-03203	风扇开关	Fan Switch	
10	1	T0401-03205	警示灯开关	Alarm Lamp Switch	
11	3	T0401-03201	工作灯开关	Working lamp Switch	
12	2	T0401-03303	盖板	Cover board	
13	8	T0401-03302	中间单框架	Middle Single Frame	
14	2	T0401-03301	侧边单框架	Side Single Frame	
15	1	T0409-01110	收音机	Radio	12V
16	4	4 GB/T97.1	平垫圈	Washer	Zn.D
17	4	4 GB/T93	弹簧垫圈	Spring washer	Zn.D
18	4	M4×12 GB/T818	十字槽盘头螺钉	Bolt	8.8-Zn.D
19	1	T0409-02101	收音机天线	Radiogram antenna	
20	2	T0409-15101	扬声器	Speaker	
21	2	T0409-06203	扬声器盖	Cover speaker	
22	1	T0405-04211	警示灯	Caution light	
23	1	T0416-04002	警示灯支架	Bracket	
24	2	M8 GB/T6170	型六角螺母	Nut	8-Zn.D
25	1	830E-1310500	驾驶室灯线束	Cable-Lamp	
26	2	M8×20 GB/T818	六角头螺栓	Bolt	
27	2	8 GB/T93	弹簧垫圈	Spring washer	Zn.D
28	2	8 GB/T97.1	平垫圈	Washer	Zn.D

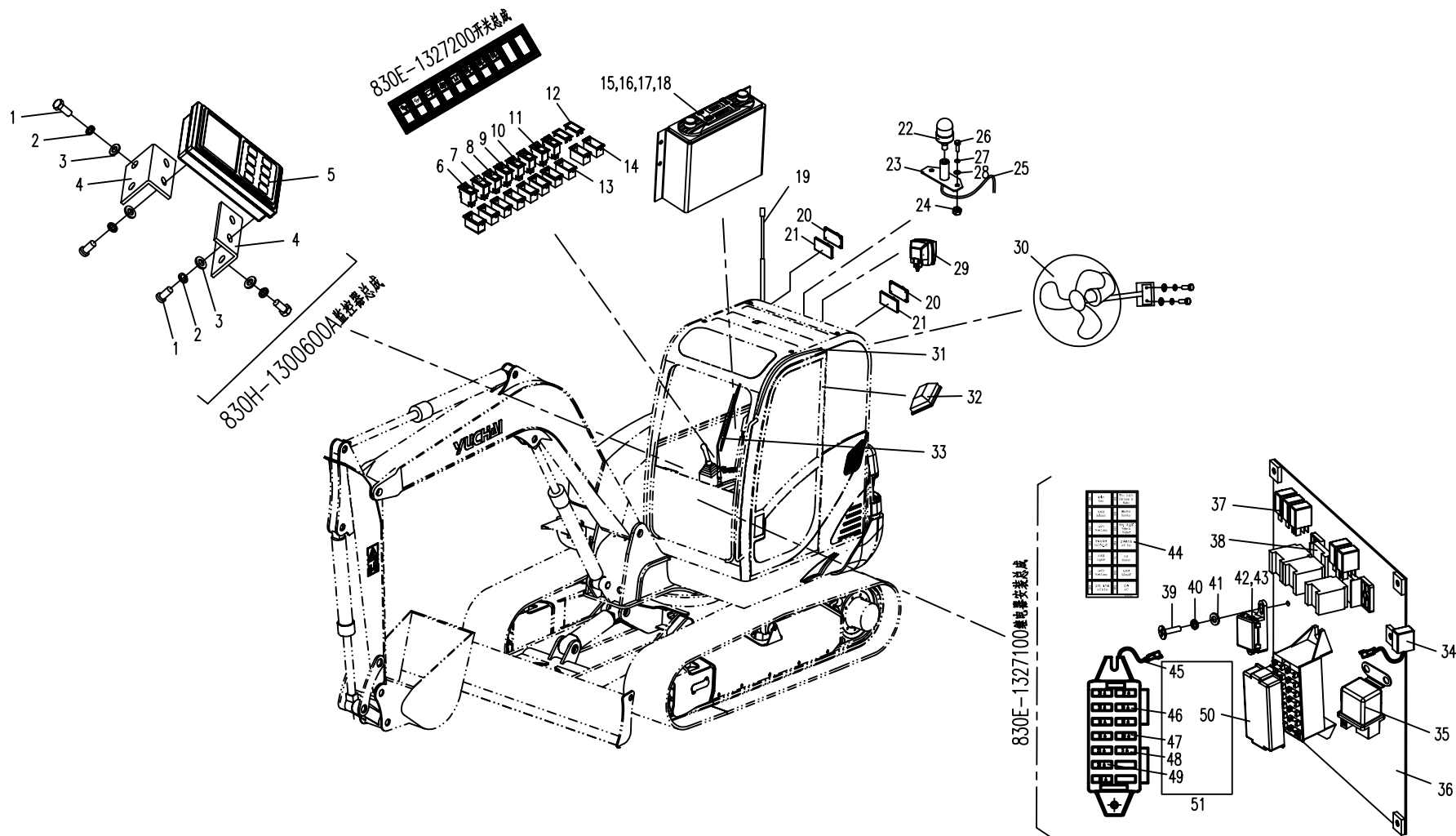
13.7.1 驾驶室电器总成(适用825E01,825E02机型) ELECTRICAL ASSEMBLY FOR CAB(APPLY TO 825E01,825E02 TYPE)



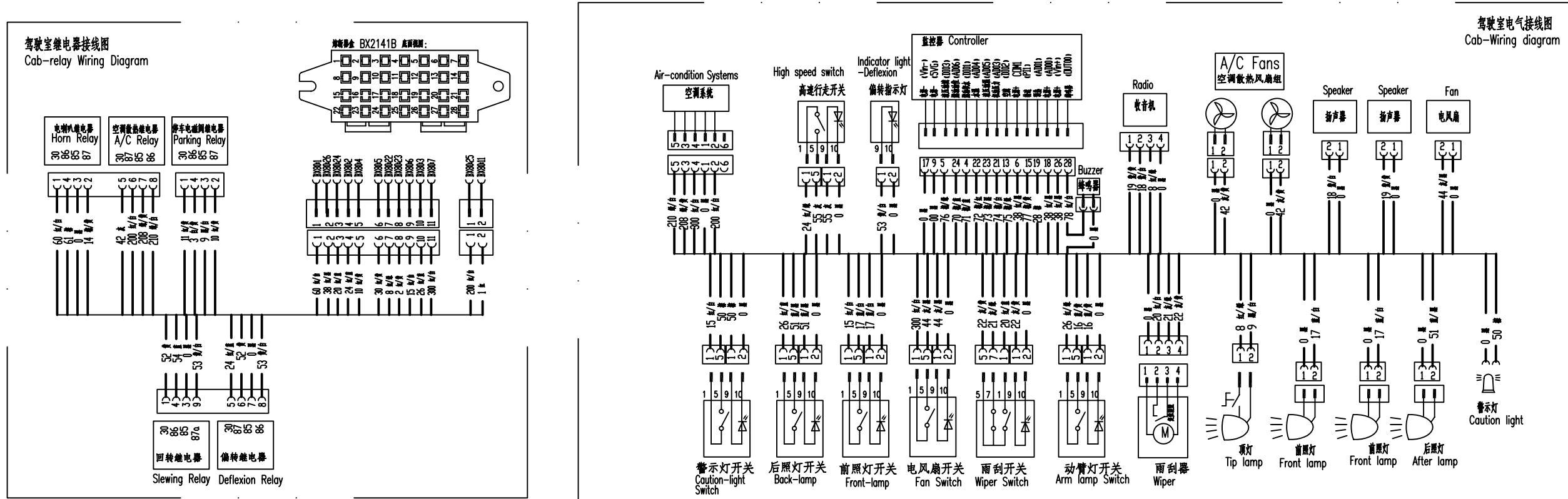
13.7.1 驾驶室电器总成(适用825E01,825E02机型) ELECTRICAL ASSEMBLY FOR CAB(APPLY TO 825E01,825E02 TYPE)

序号 No.	数量 Quantity	代号 Code	名称 Description		备注 Remark
29	3	T0405-12111	工作灯	Working-lamp	
30	1	T0407-11111	电风扇	Fan	12V
31	1	830H-1310600A	驾驶室线束	CAB wiring harness	
32	1	T0405-13211	顶灯	Top lamp	12V (随驾驶室供)
33	1	T0406-12111	雨刮器	Wiper	(随驾驶室供)
34	1	T0416-15101	蜂鸣器	Buzzer	12 V
35	1	T0404-03111	预热继电器	Glow Relay	JD191A-12V
36	1	830H-1300420	安装板	Build in board	
37	5	T0404-02411	通用继电器	Relay	12V
38	1	T0416-04001	继电器座架	Relay bracket	
39	13	M5×12 GB/T818	十字槽盘头螺钉	Bolt	8.8-Zn.D
40	13	5 GB/T93	弹簧垫圈	Spring washer	Zn.D
41	13	5 GB/T97.1	平垫圈	Washer	Zn.D
42	1	T0402-01105	二路熔断器盒	2 place fuse box	BX2022
43	1	T0402-04104	二路熔断器保险片	Fuse	50A
44	1	830H-1300401	十四路熔断器标签	Tag for 14 place fuse	
45	1	830H-1300411	十四路熔断器线束	Fuse wiring harness	
46	5	T0402-02103	10A 保险片	10A Fuse	10A
47	2	T0402-02105	20A 保险片	20A Fuse	20A
48	1	T0402-02101	5A 保险片	5A Fuse	5A
49	1	T0402-02104	15A 保险片	15A Fuse	15A
50	1	T0402-01104	十四路熔断器盒	14 place box	
51	1	830E-1303010	十四路熔断器	14 place fuse	

13.7.1 驾驶室电器总成(适用825E01,825E02机型) ELECTRICAL ASSEMBLY FOR CAB(APPLY TO 825E01,825E02 TYPE)

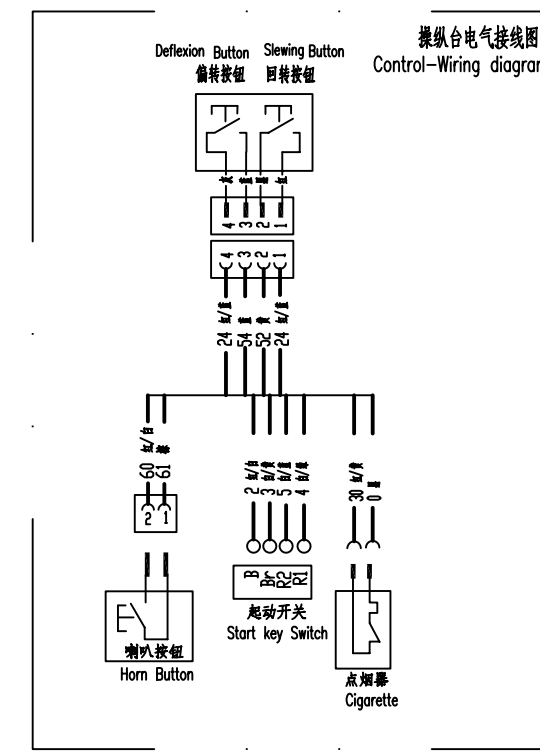
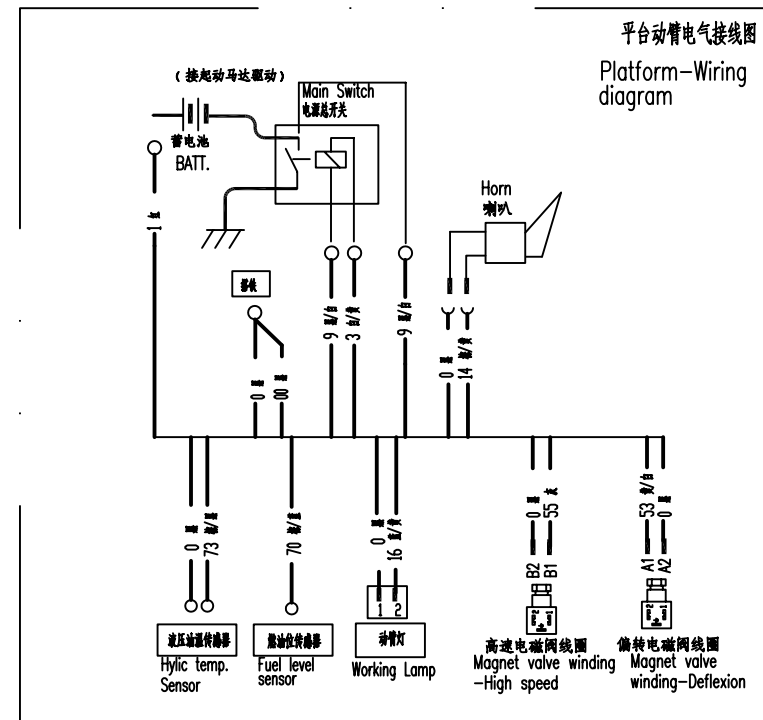
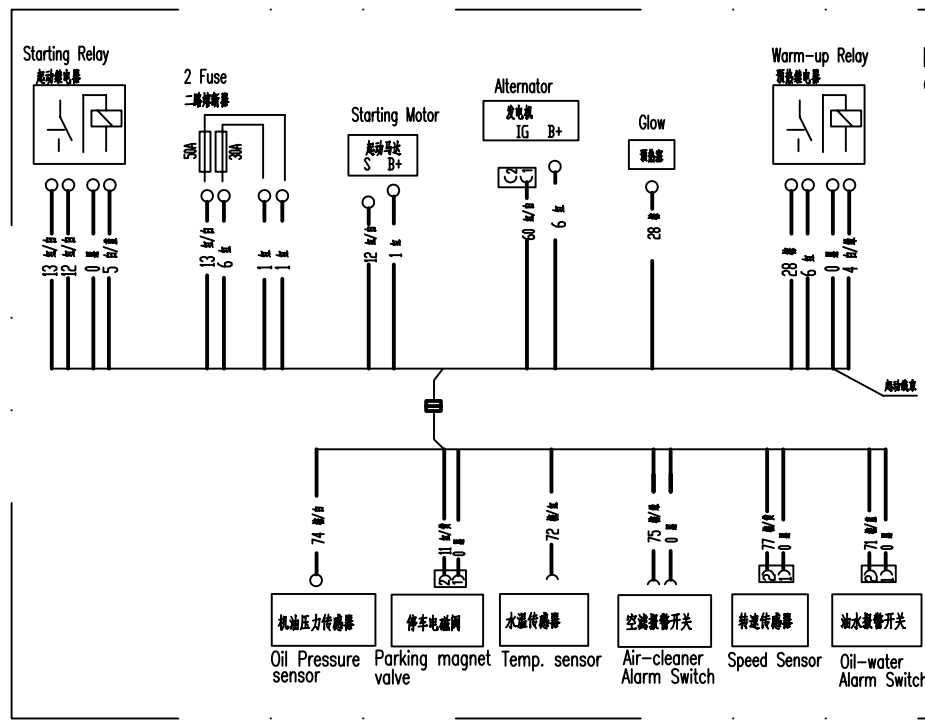


13.8.1 电气系统—接线系(适用825E01机型) ELECTRICAL SYSTEM—WIRING DIAGRAM(APPLY TO 825E01 TYPE)

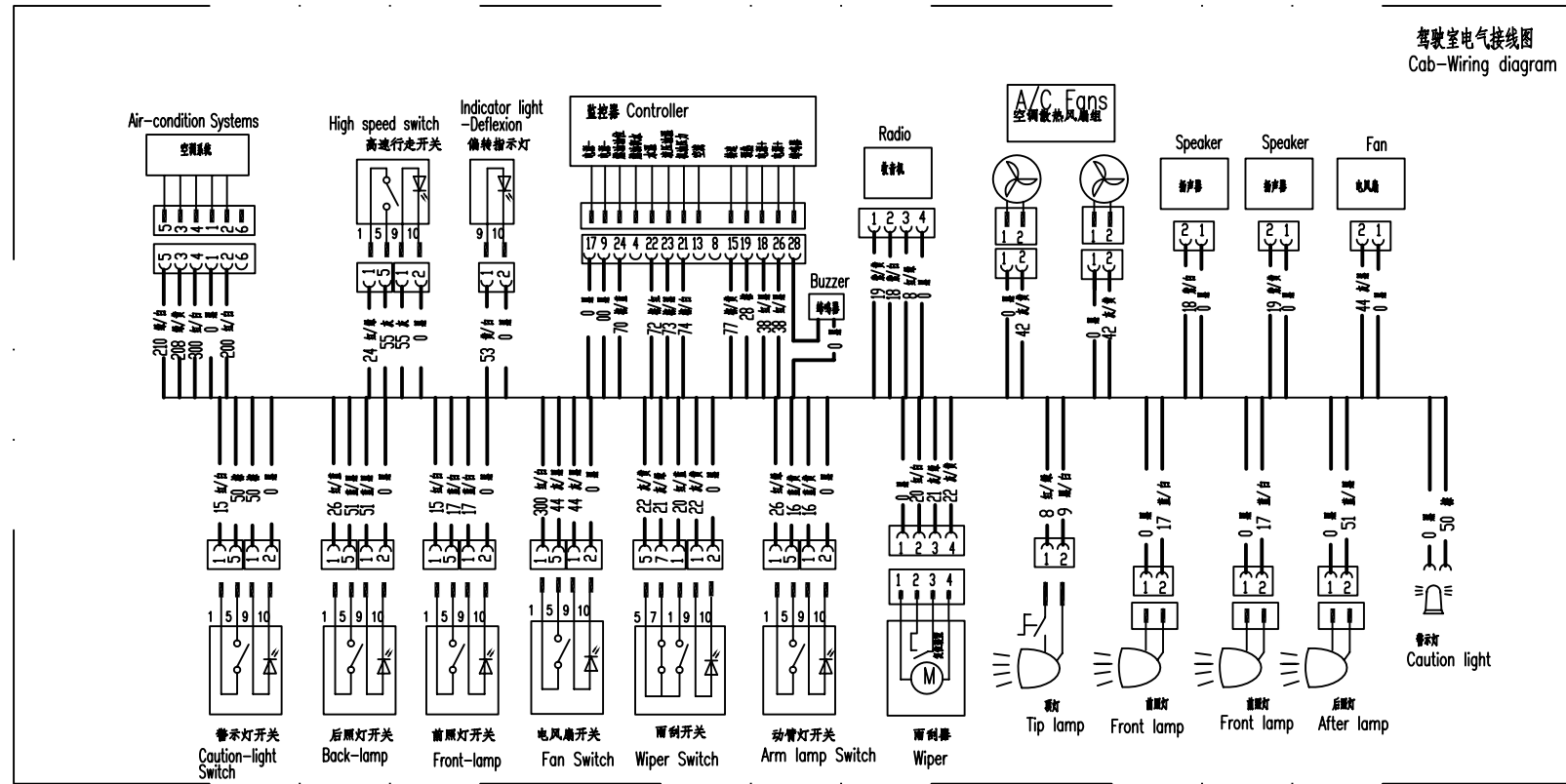
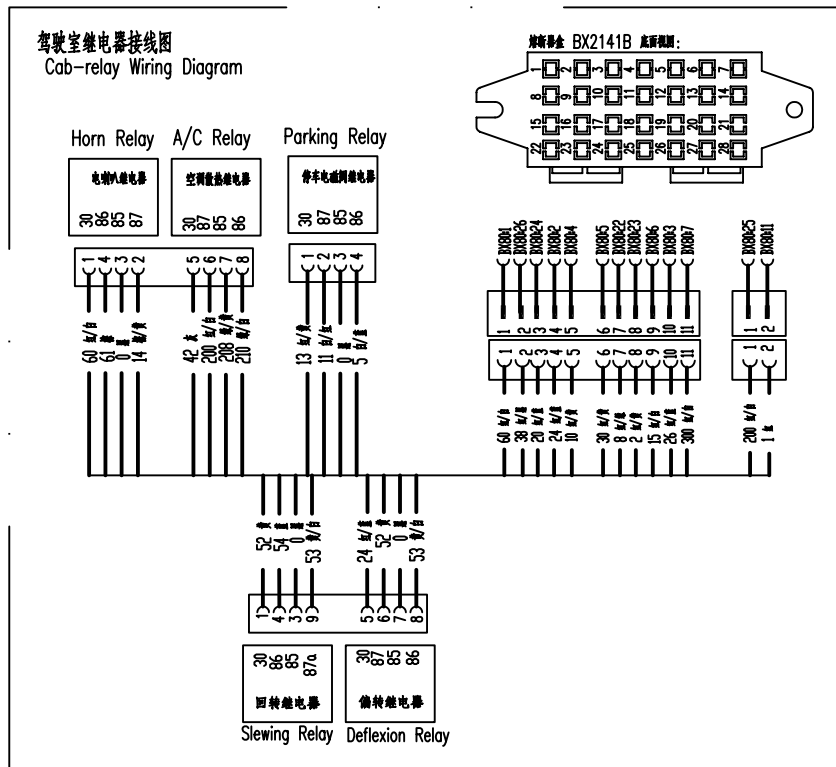


导线颜色中英文对照
Table Of Color Symbol

黑色	Black
红色	Red
白色	White
黄色	Yellow
绿色	Green
蓝色	Blue
棕色	Brown
粉红色	Pink
灰色	Grey
紫色	Purple
红/白色	Red/White
红/黑色	Red/Black
红/黄色	Red/Yellow
红/蓝色	Red/Blue
红/绿色	Red/Green
黄/黑色	Yellow/Black
黄/绿色	Yellow/Green
棕/绿色	Brown/Green
棕/黄色	Brown/Yellow
棕/蓝色	Brown/Blue
棕/红色	Brown/Red
棕/黑色	Brown/Black
棕/白色	Brown/White
白/绿色	White/Green
白/黄色	White/Yellow
白/黑色	White/Black
蓝/白色	Blue/White
灰/红色	Grey/Red
紫/白色	Purple/White
紫/黄色	Purple/Yellow
紫/绿色	Purple/Green
紫/黑色	Purple/Black



13.8.2 电气系统—接线系(适用825E02机型) ELECTRICAL SYSTEM—WIRING DIAGRAM(APPLY TO 825E02 TYPE)



导线颜色中英文对照
Table Of Color Symbol

黑色	Black
红色	Red
白色	White
黄色	Yellow
绿色	Green
蓝色	Blue
棕色	Brown
粉红色	Pink
灰色	Grey
紫色	Purple
红/白色	Red/White
红/黑色	Red/Black
红/黄色	Red/Yellow
红/蓝色	Red/Blue
红/绿色	Red/Green
黄/黑色	Yellow/Black
黄/绿色	Yellow/Green
棕/绿色	Brown/Green
棕/黄色	Brown/Yellow
棕/蓝色	Brown/Blue
棕/红色	Brown/Red
棕/黑色	Brown/Black
棕/白色	Brown/White
白/绿色	White/Green
白/黄色	White/Yellow
白/黑色	White/Black
蓝/白色	Blue/White
灰/红色	Grey/Red
紫/白色	Purple/White
紫/黄色	Purple/Yellow
紫/绿色	Purple/Green
紫/黑色	Purple/Black

