



YC18SRPro

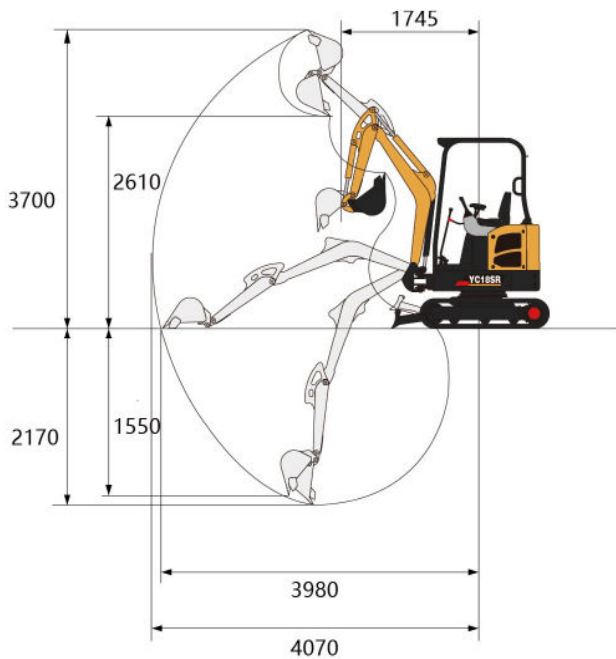
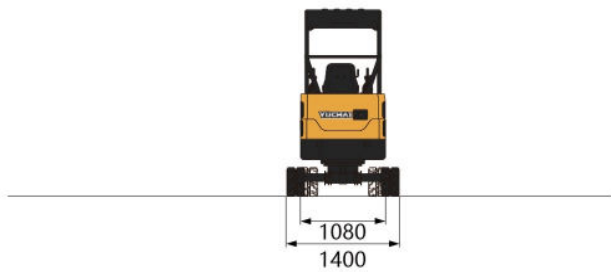
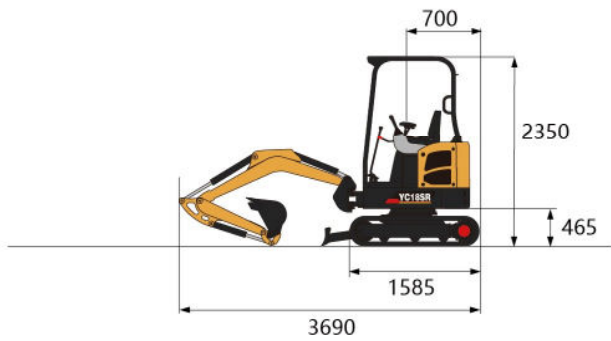
Machine weight: 1800 kg

Bucket capacity: 0.05 m³

Engine power: 14.5 kW/2400 rpm



- Optional Euro V/Tier4F engine (Yanmar engine)
- Telescopic chassis
- Lower fuel consumption
- Standard with Rubber Tracks



Technical Specification

Basic parameter

Machine weight	1880 kg
Bucket capacity	0.05 m ³
Width of bucket	450 mm

Performance parameter

Engine model	Yanmar
Engine power	14.5/2400 kW/rpm
Max. Gradeability	30 °
Max. digging force of arm	8.5 kN
Max. digging force of bucket	15.5 kN
Traveling speed	2/4 km/h
Slewing speed of platform	8.5~10.5 rpm

Operating parameter

Max. digging height	3620 mm
Max. digging depth	2295 mm
Max. digging radius	4125 mm
Max. digging radius on ground level	4060 mm
Max. dumping height	2500 mm
Min. slewing radius	1690 mm
Max. vertical digging depth	1900 mm

Transportation dimension

Overall length	3690 mm
Overall width	1080 mm
Overall height	2350 mm

Other Parameter

Width of undercarriage	1080/1400 mm
Length of track	1585 mm
Width of track	230 mm
Height between undercarriage and ground	145 mm
Height between platform and ground	465 mm
Platform tail turning radius	700 mm
Track gauge	1260 mm
Fuel tank capacity	23 L
Hydraulic oil tank capacity	20 L

Guangxi Yuchai Heavy Industry Co.,Ltd.
 Address:No.168 Tianqiao Road, Yulin, Guangxi, China
 Tel: +86-775-3223503
 Fax:+86-775-3223503
 Email: dig@yuchai.cn, ychi-export@yuchai.cn
 Website:www.yuchaihi.com
 Alibaba Website: <https://yuchaihi.en.alibaba.com>

Specifications are subject to change without prior notice